



US00D430465S

United States Patent [19] Moore

[11] **Patent Number: Des. 430,465**

[45] **Date of Patent: ** Sep. 5, 2000**

[54] **GARDEN RAKE HEAD**

5,241,812 9/1993 Crippen 56/400.21

[75] Inventor: **Paul Moore**, West Midlands, United Kingdom

OTHER PUBLICATIONS

Green River Tools catalog; Item #C Leaf Rake; p. 25, design digest, Oct. 1985.

[73] Assignee: **James Neill Holdings Limited**, United Kingdom

Keller brochure; rakes; p. 18; design digest, Sep. 1986.

[**] Term: **14 Years**

Primary Examiner—Robin V. Taylor
Attorney, Agent, or Firm—Trexler, Bushnell, Giangiorgi & Blackstone, Ltd.

[21] Appl. No.: **29/111,537**

[22] Filed: **Sep. 29, 1999**

[57] CLAIM

The ornamental design for garden rake head, as shown and described.

[30] Foreign Application Priority Data

Mar. 31, 1999 [GB] United Kingdom 2082367

DESCRIPTION

[51] **LOC (7) Cl.** **08-01**

FIG. 1 is a perspective view of garden rake head showing my new design;

[52] **U.S. Cl.** **D8/13**

FIG. 2 is a top plan view of the garden rake head;

[58] **Field of Search** D8/1, 2, 11, 13;
294/49, 50; 56/400.19, 400.21, 400.01

FIG. 3 is a bottom plan view of the garden rake head;

FIG. 4 is a left side elevational view of the garden rake head;

[56] References Cited

U.S. PATENT DOCUMENTS

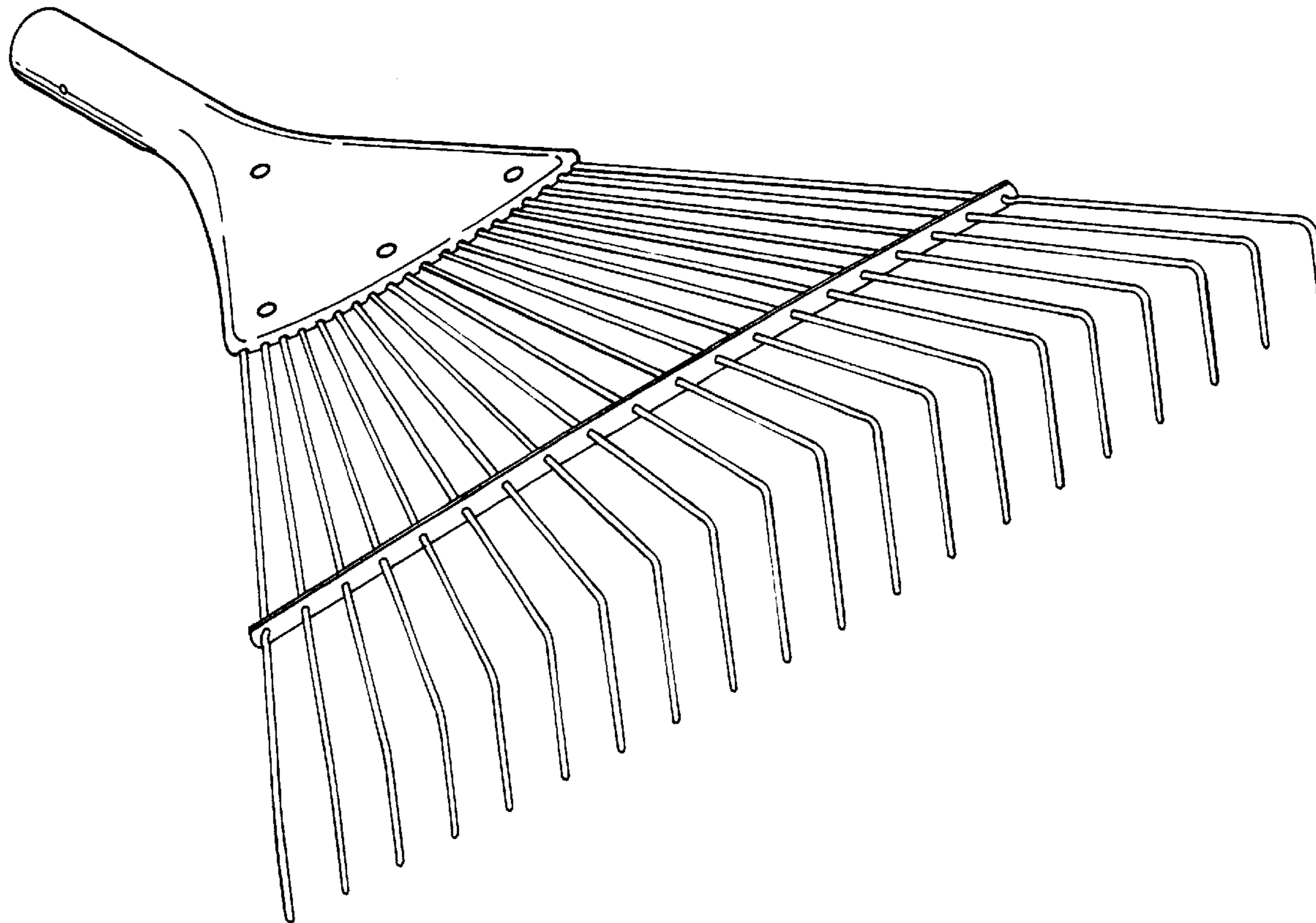
D. 198,860	8/1964	Fedorka	D8/13
D. 248,612	7/1978	Oas	D8/13
D. 361,245	8/1995	Altergott	D8/13
D. 402,173	12/1998	Woodley	D8/13
1,909,754	5/1933	Carlson	56/400.21
2,497,192	2/1950	Thayer	56/400.21

FIG. 5 is a right side elevational view of the garden rake head;

FIG. 6 is a rear side elevational view of the garden rake head; and,

FIG. 7 is a front side elevational view of the garden rake head.

1 Claim, 5 Drawing Sheets



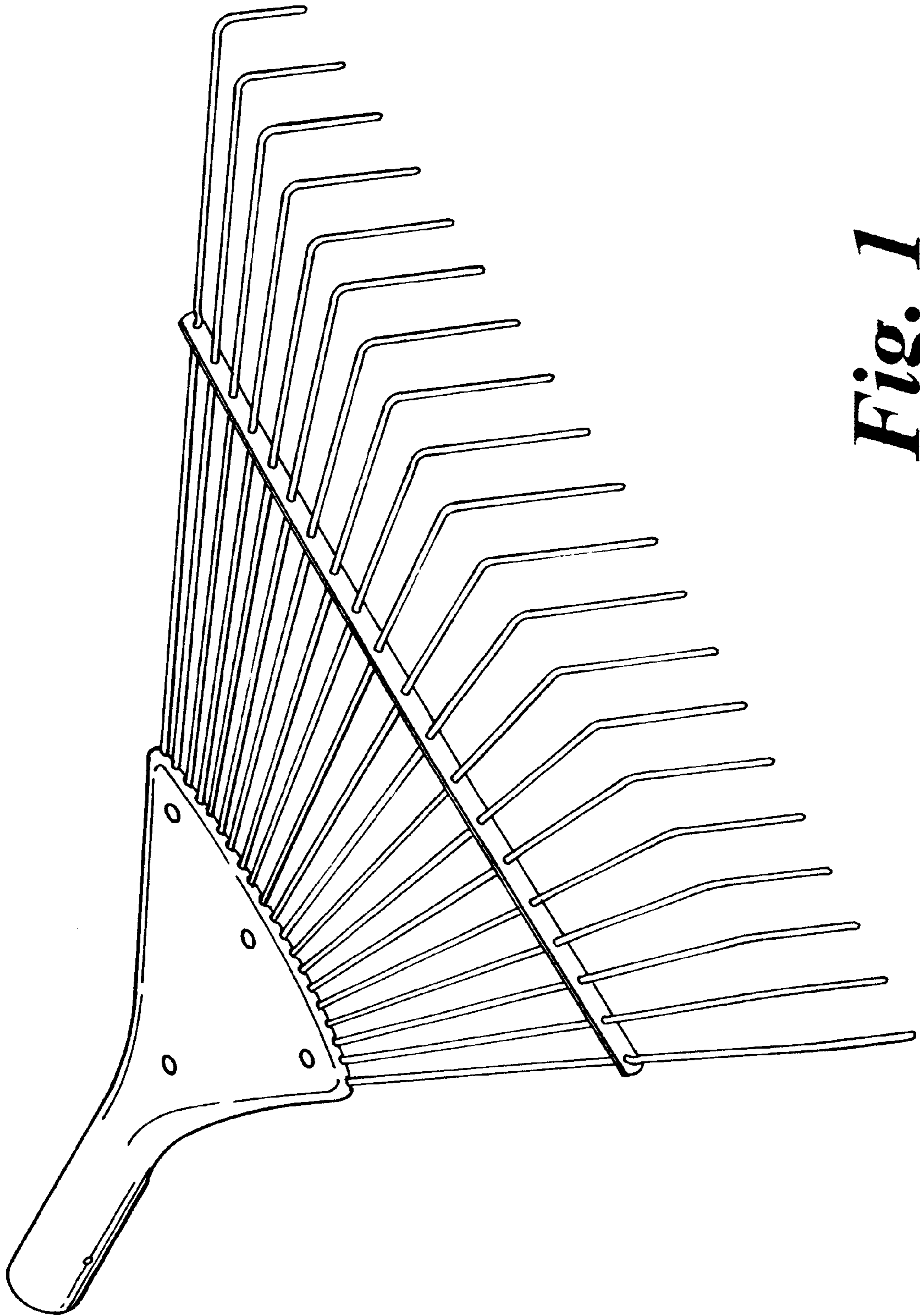


Fig. 1

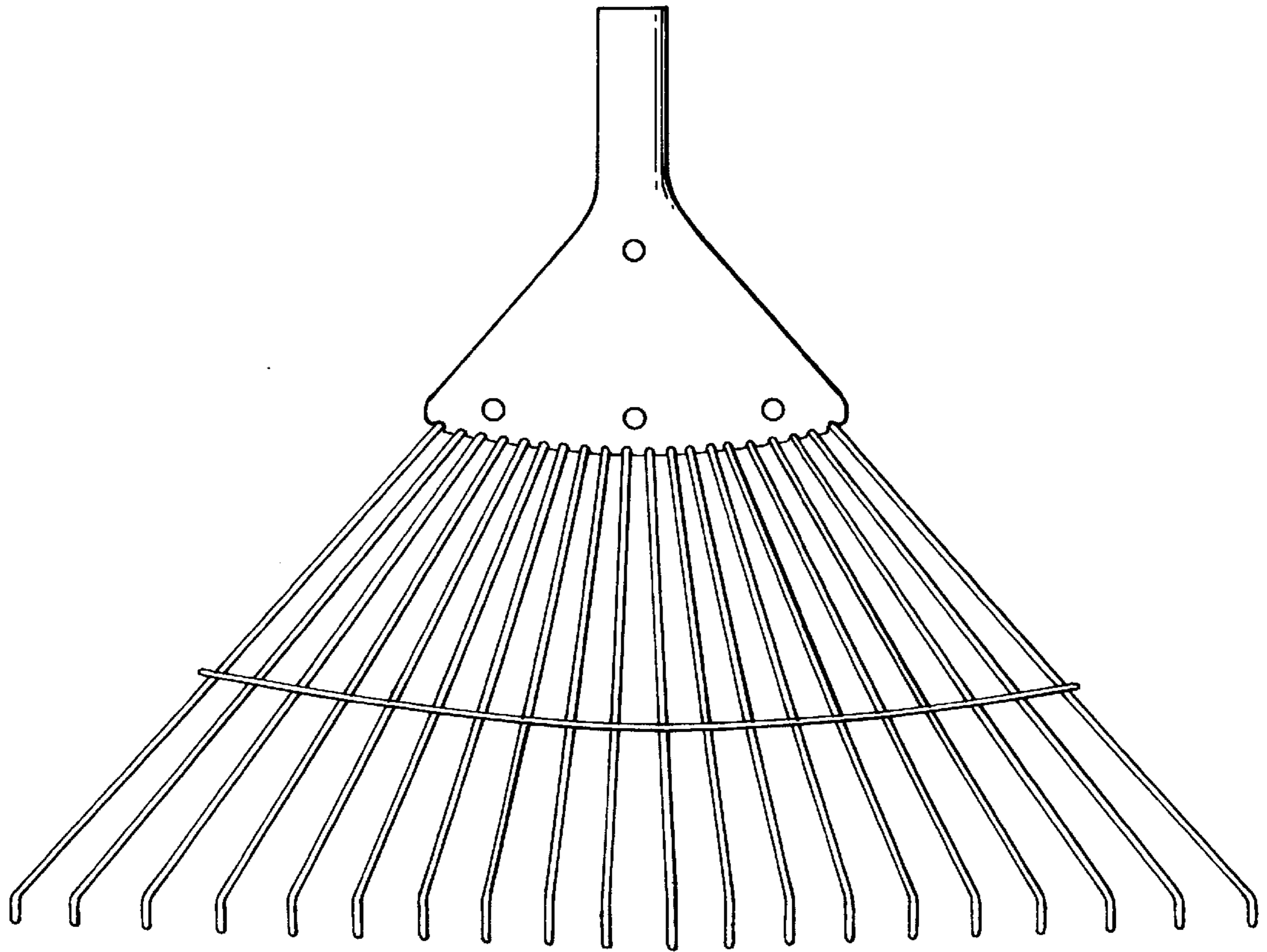


Fig. 2

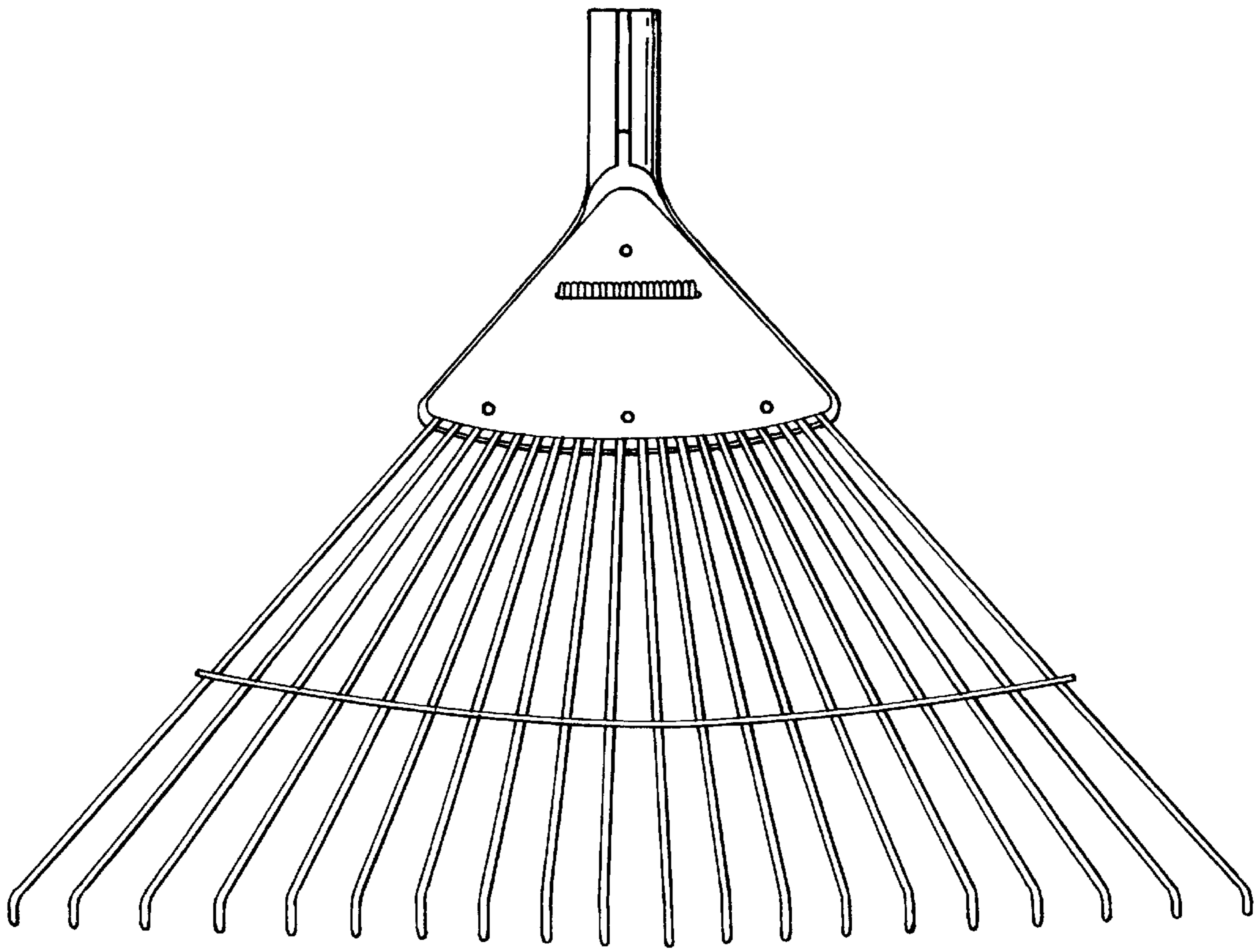


Fig. 3

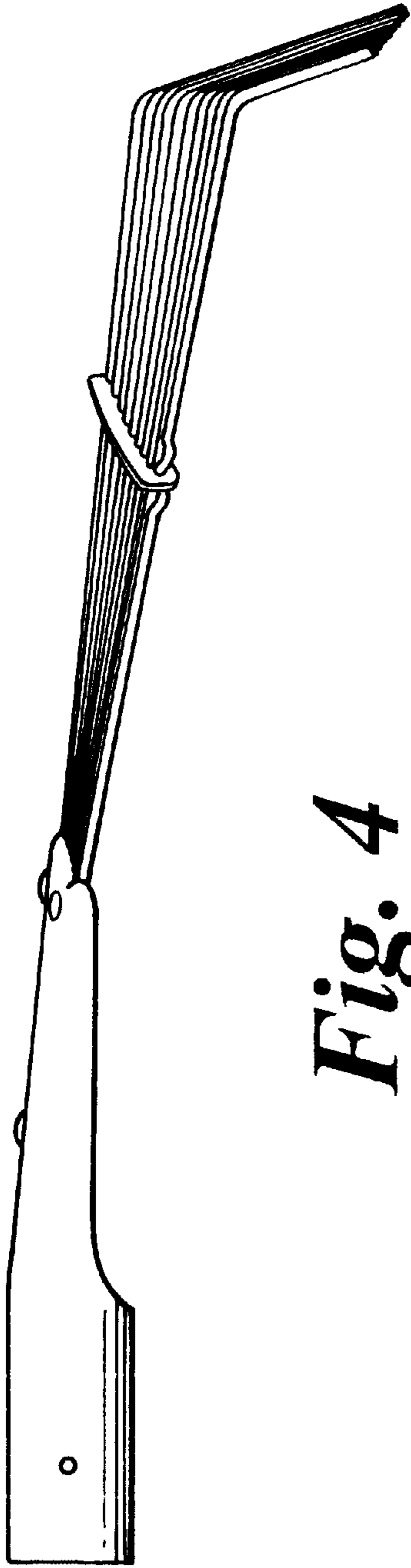


Fig. 4

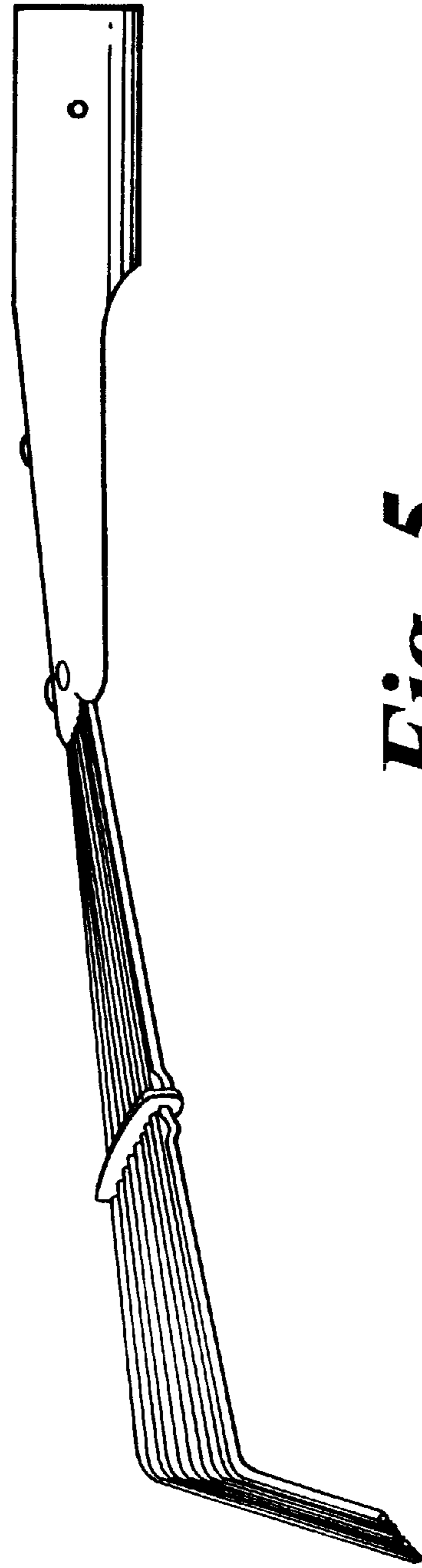


Fig. 5

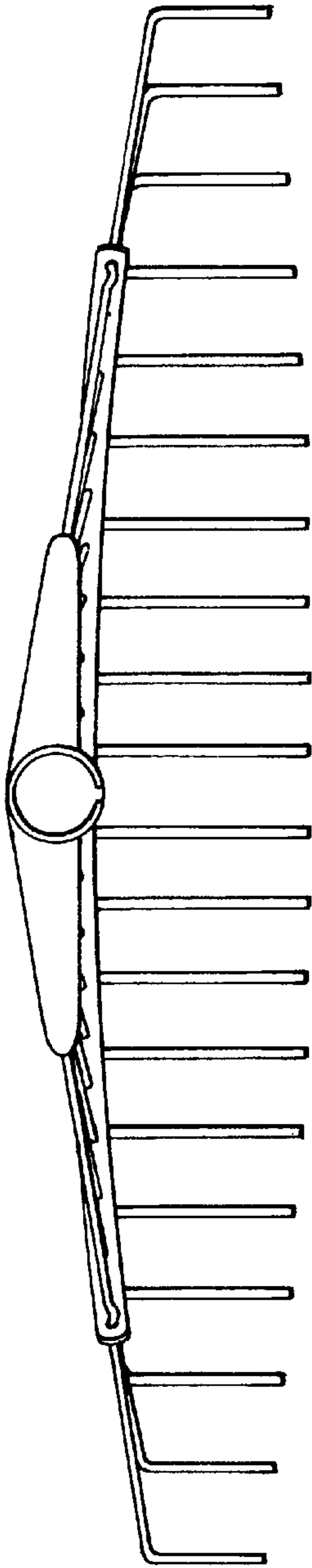


Fig. 6

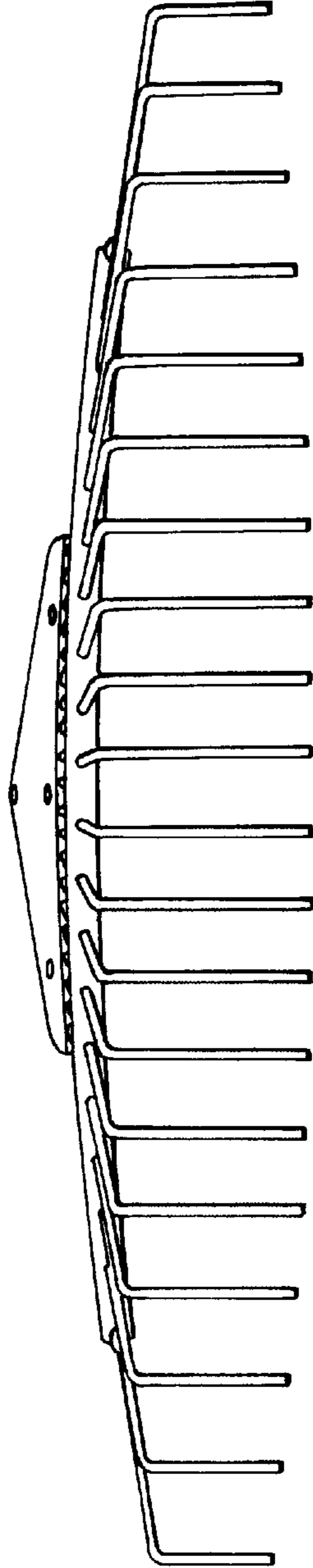


Fig. 7