



US00D430455S

United States Patent [19]
Pickens

[11] **Patent Number: Des. 430,455**

[45] **Date of Patent: ** Sep. 5, 2000**

[54] **COMBINED SIPPER CAP AND FLOW CONTROL DISC**

[76] Inventor: **Lucuis J Pickens**, 6137 Dryad, Houston, Tex. 77035

[**] Term: **14 Years**

[21] Appl. No.: **29/104,841**

[22] Filed: **May 13, 1999**

[51] **LOC (7) Cl.** **07-99**

[52] **U.S. Cl.** **D7/392.1; D7/396.2**

[58] **Field of Search** D7/510, 511, 509, D7/523, 531, 532, 533, 536, 392.1, 396.2; 220/729, 23.86, 715, 713

[56] **References Cited**

U.S. PATENT DOCUMENTS

D. 165,778	1/1952	Olsen	D7/510
D. 216,730	3/1970	Carshaw	D7/510
D. 310,567	9/1990	Fitzpatrick	D24/197
D. 348,376	7/1994	Rohrig	D7/510
D. 359,417	6/1995	Chen	D7/510
D. 387,621	12/1997	Sullivan et al.	D7/510
D. 397,906	9/1998	Briggs et al.	D7/392.1
D. 407,269	3/1999	Fletcher	D7/510
D. 419,029	1/2000	Randolph	D7/392

Primary Examiner—M. N. Pandozzi

[57] **CLAIM**

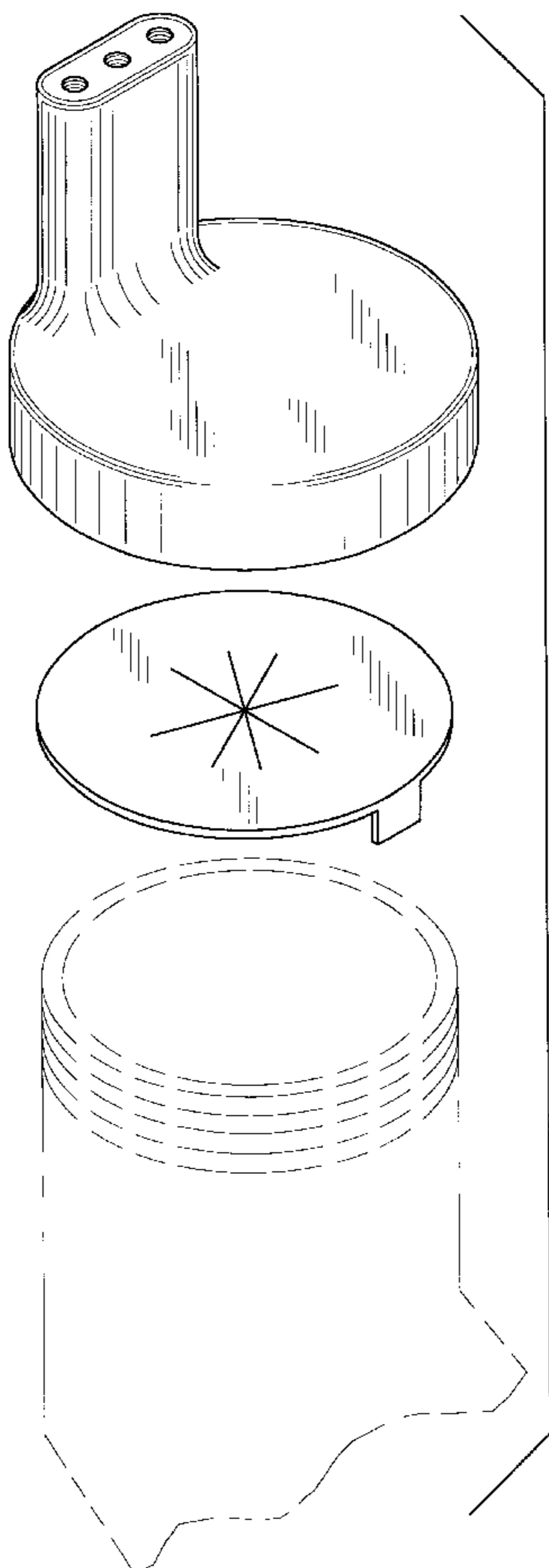
The ornamental design for a combined sipper cap and flow control disc, as shown and described.

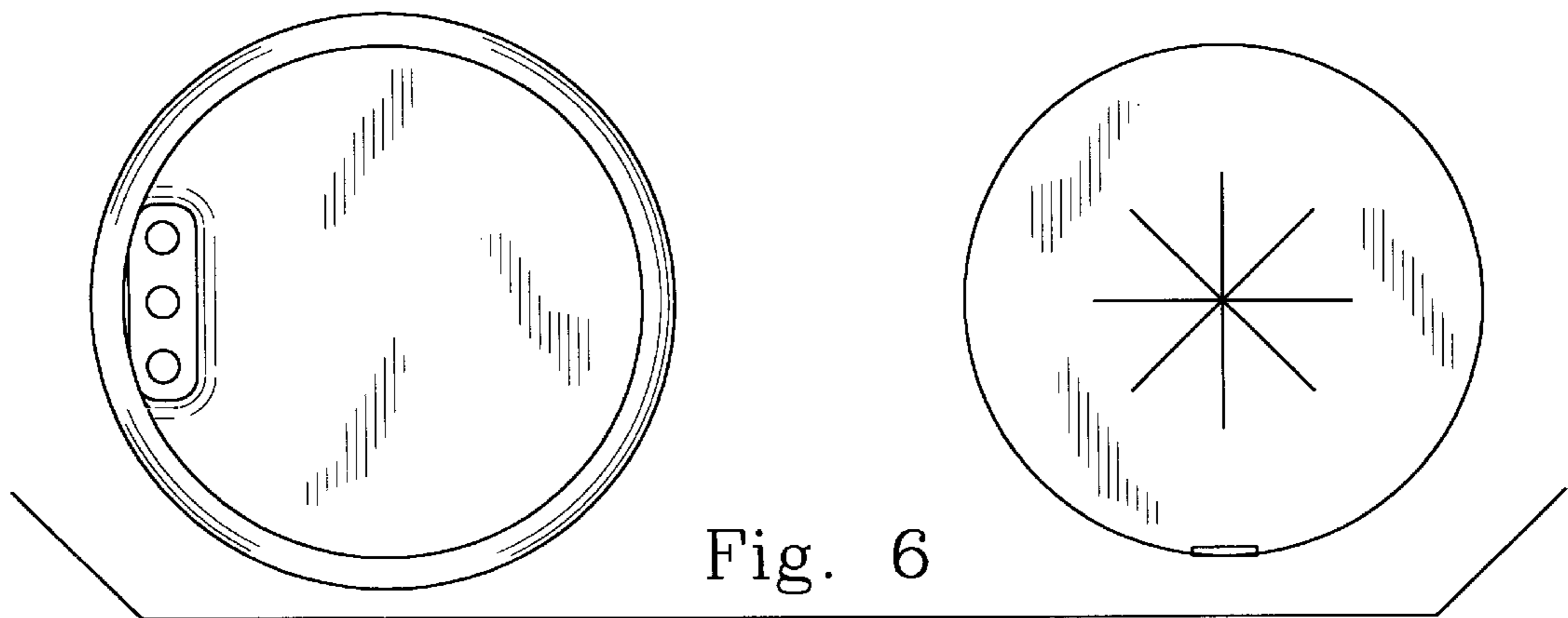
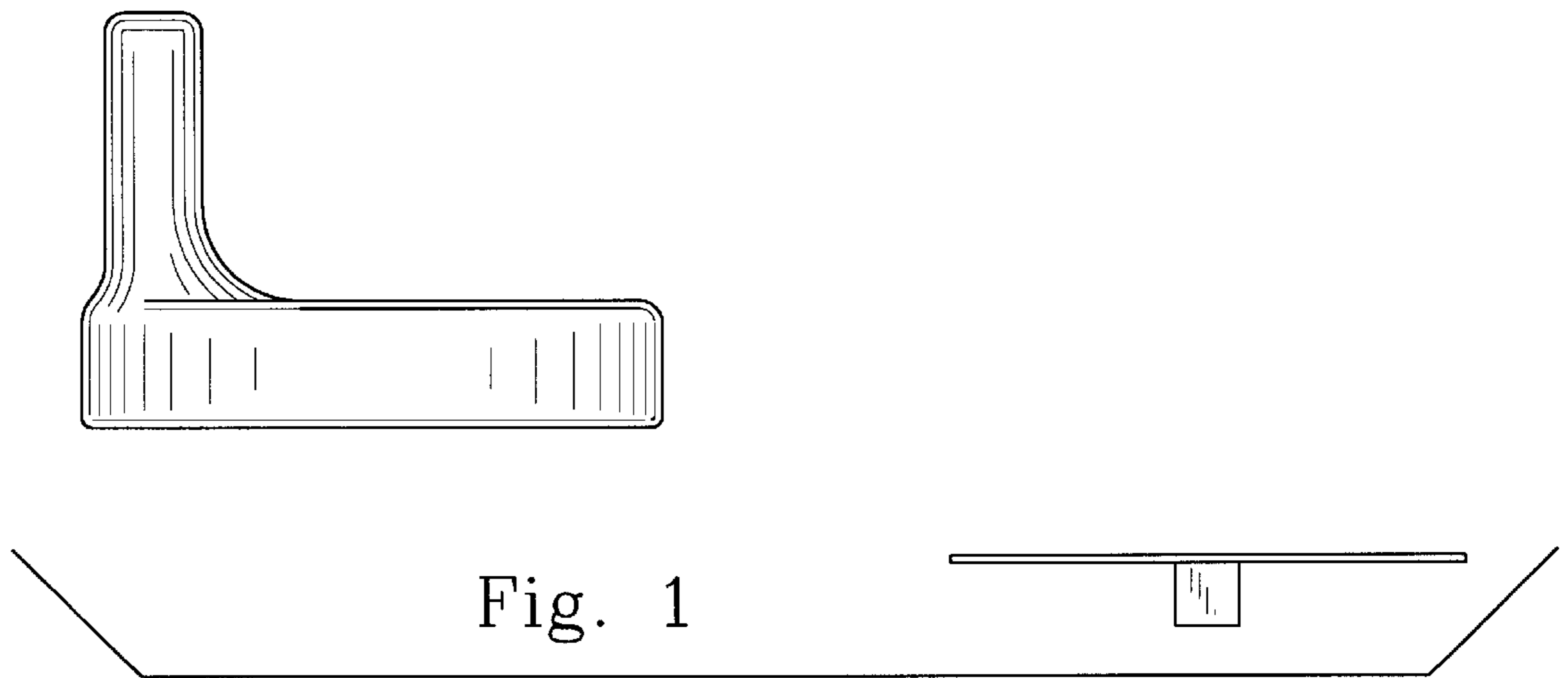
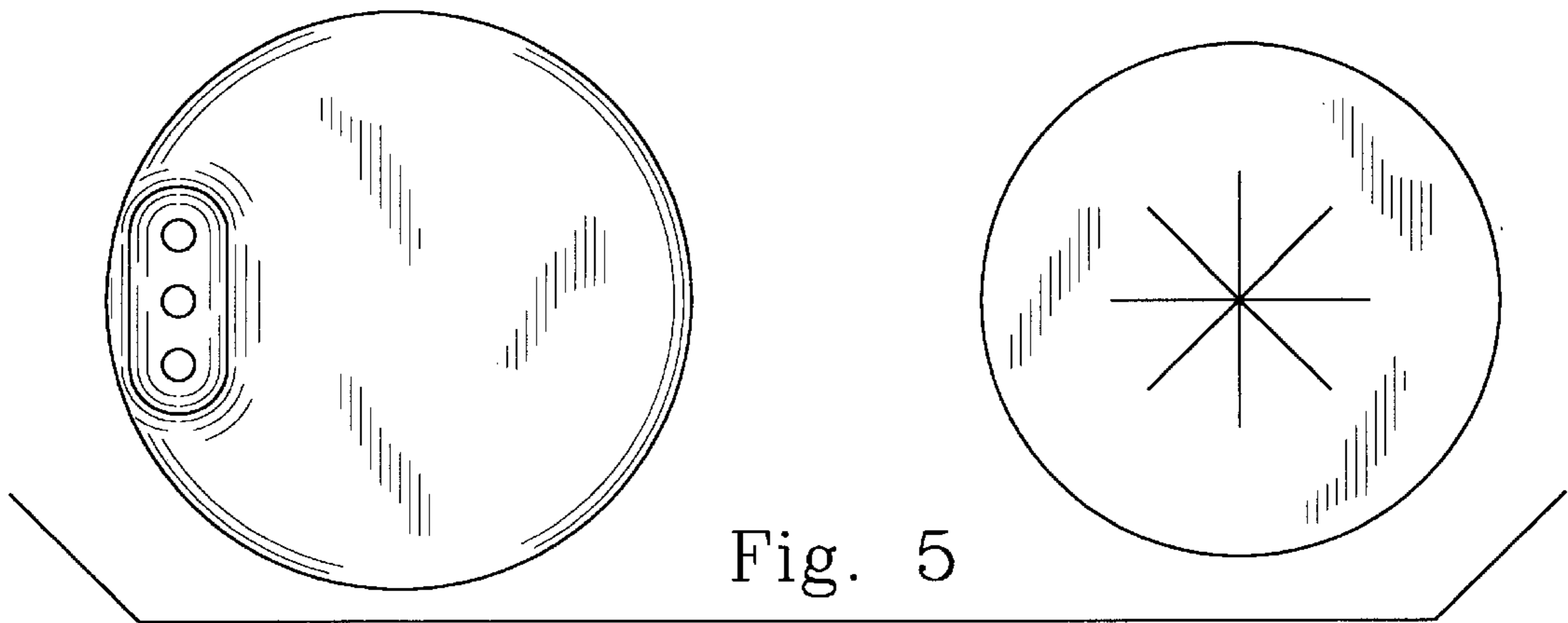
DESCRIPTION

FIG. 1 is a left side elevational view of the combined sipper cap and flow control disc of the present invention; FIG. 2 is a right side elevational view of the combined sipper cap and flow control disc of FIG. 1; FIG. 3 is a front elevational view of the combined sipper cap and flow control disc of FIG. 1; FIG. 4 is a rear side elevational view of the combined sipper cap and flow control disc of FIG. 1; FIG. 5 is a top plan view of the combined sipper cap and flow control disc of FIG. 1; FIG. 6 is a bottom plan view of the combined sipper can and flow control disc of FIG. 1; FIG. 7 is a top, front, left side perspective view of the combined sipper cap and flow control disc of FIG. 1; and, FIG. 8 is a bottom, front, left side perspective view of a combined sipper cap and flow control disc showing a second embodiment of my new design; all other sides save for the bottom are identical to the first embodiment, the only difference being the thinner sidewall of the second embodiment.

The broken lines showing of a bottle in FIG. 7 are for illustrative purposes only form no part of the claimed design.

1 Claim, 4 Drawing Sheets





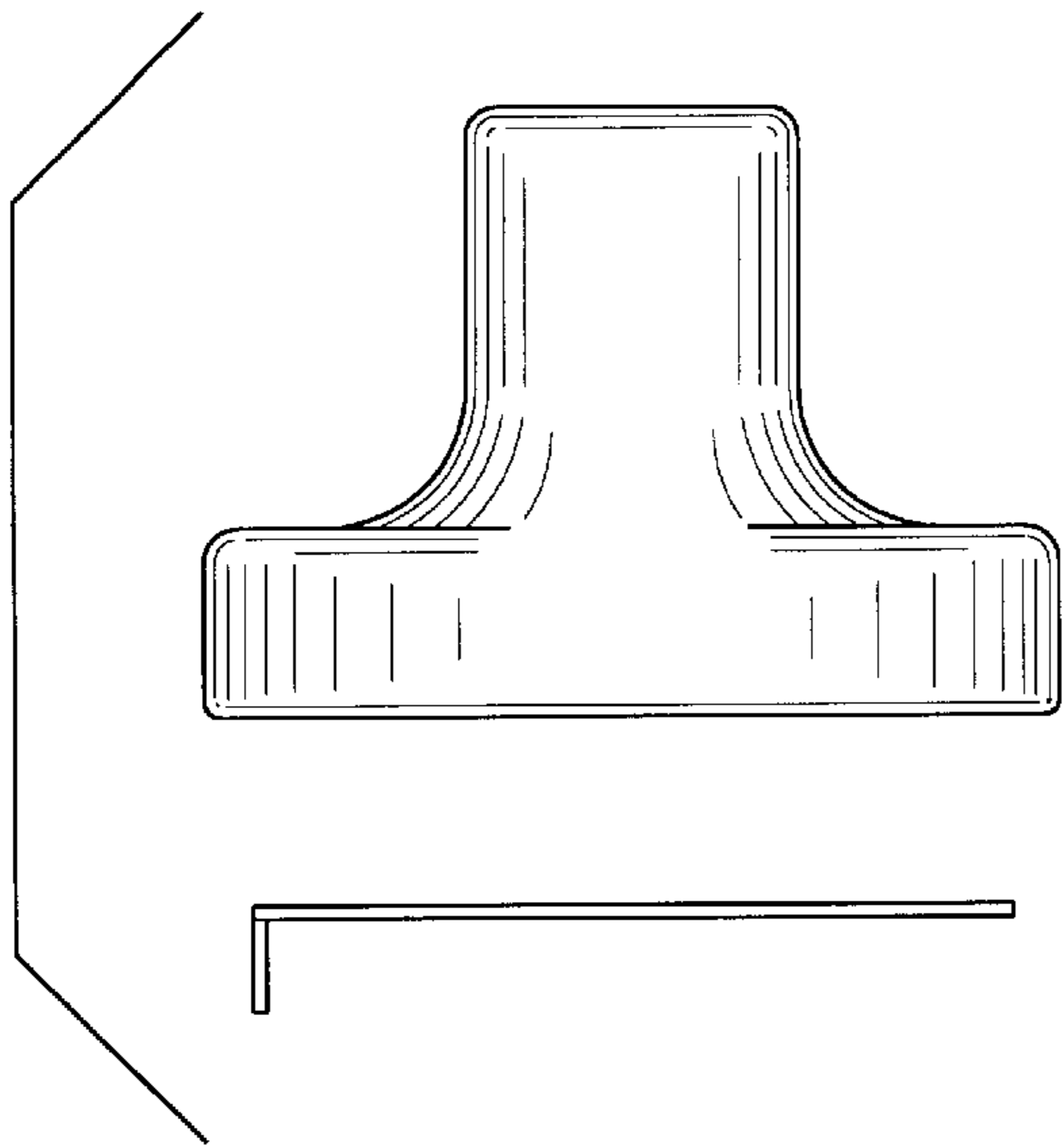


Fig. 3

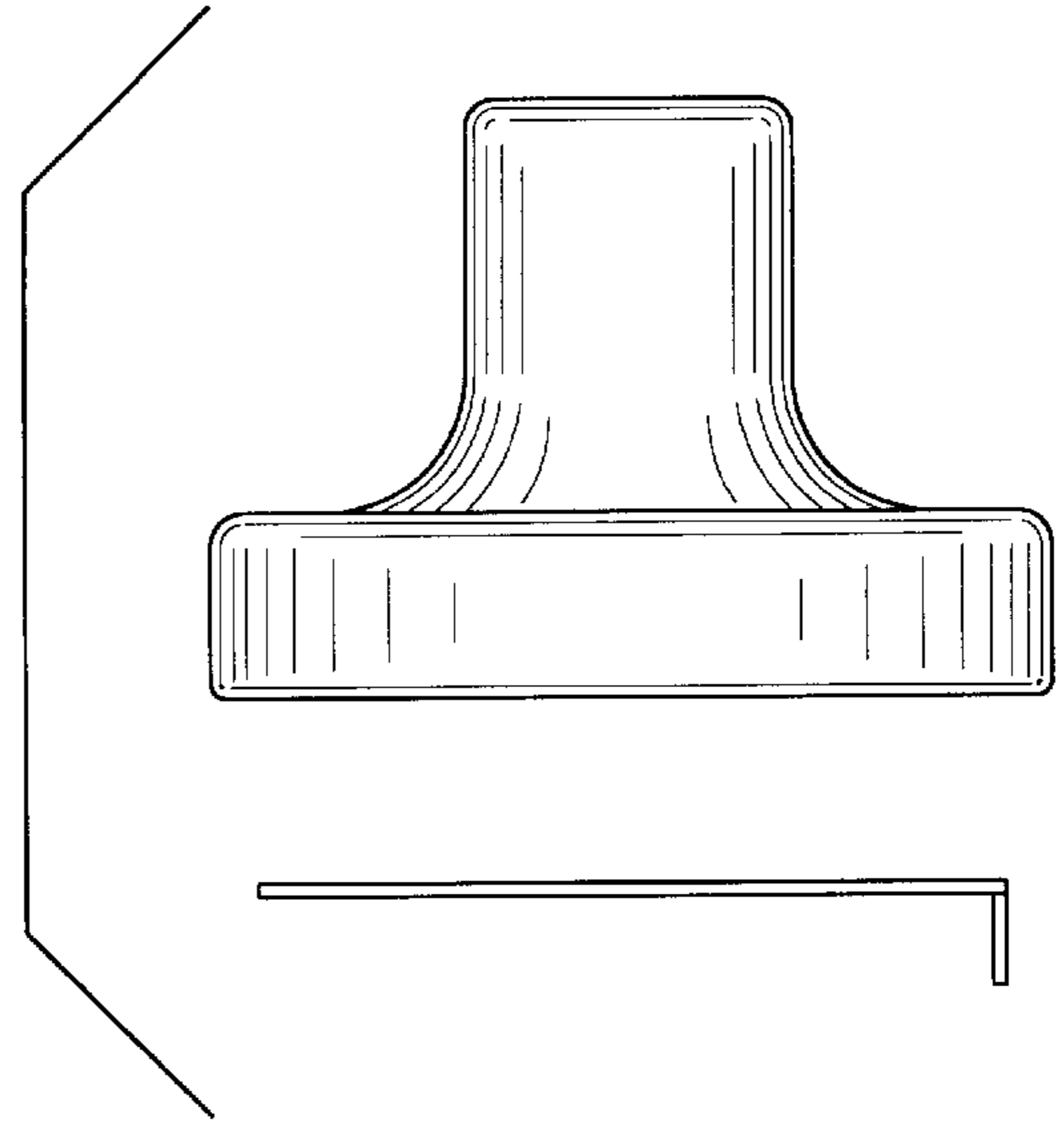


Fig. 4

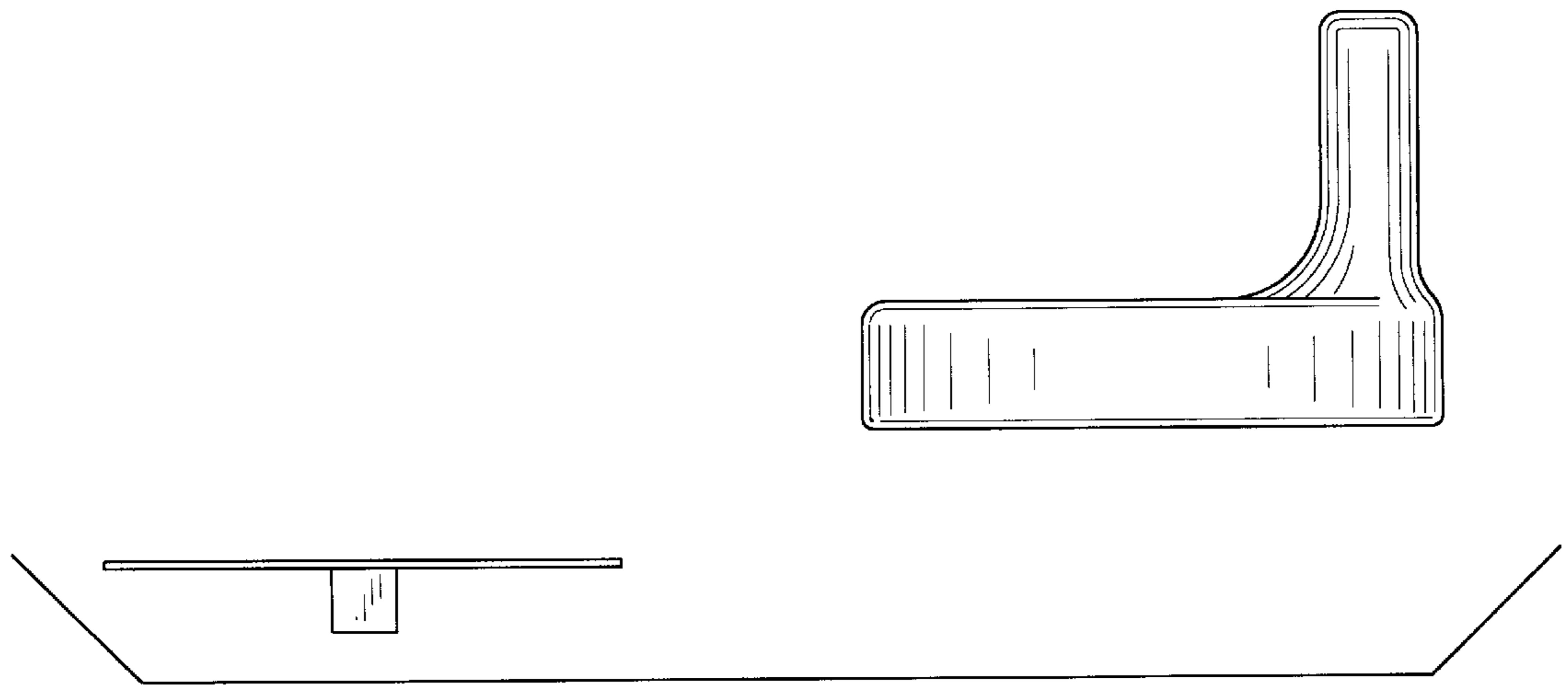


Fig. 2

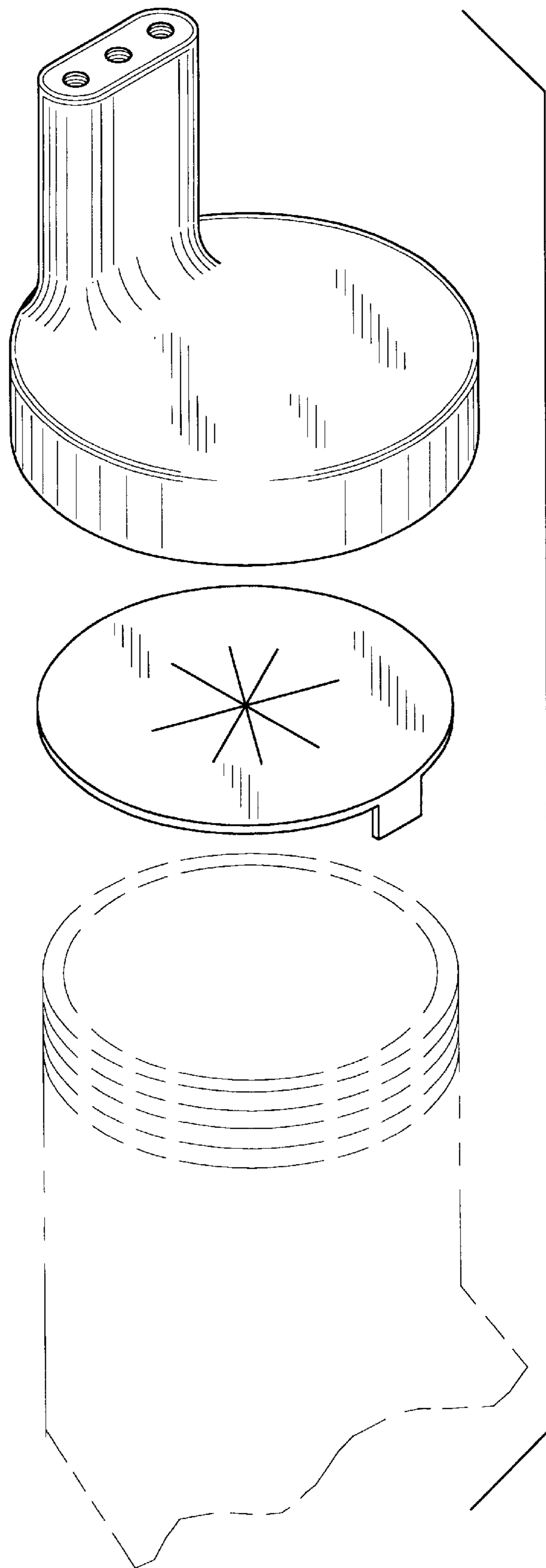


Fig. 7

Fig. 8

