



US00D430454S

# United States Patent [19]

Garber et al.

[11] Patent Number: Des. 430,454

[45] Date of Patent: \*\* Sep. 5, 2000

## [54] GRIDDLE, SKILLET, AND LID ASSEMBLY

[75] Inventors: Alan M. Garber; Stacey R. Just, both of Richmond; Lawrence M. Pillion, Glen Allen, all of Va.; Phillip L. Brookshire; David L. Slayton, both of Cincinnati, Ohio

[73] Assignee: Hamilton Beach/Proctor-Silex, Inc., Glen Allen, Va.

[\*\*] Term: 14 Years

[21] Appl. No.: 29/100,918

[22] Filed: Feb. 22, 1999

[51] LOC (7) Cl. .... 07-02

[52] U.S. Cl. .... D7/354

[58] Field of Search ..... D7/323, 354-361; 99/331, 336, 385, 403, 410, 411, 413; 219/429, 432, 438, 440

## [56] References Cited

### U.S. PATENT DOCUMENTS

D. 230,935	3/1974	Lloveras	.....	D7/360
D. 247,946	5/1978	Painter et al.	.....	D7/360
D. 250,626	12/1978	Scott	.....	D7/360
D. 380,341	7/1997	Naft et al.	.....	D7/354
D. 381,242	7/1997	Rossiaud	.....	D7/360
D. 412,263	7/1999	Jozancy	.....	D7/354
907,154	12/1908	Lewis	.....	126/376
2,253,927	8/1941	Butler et al.	.	
2,605,382	7/1952	Kircher et al.	.	
2,978,564	4/1961	Blanding et al.	.	
3,681,568	8/1972	Schaefer	.	
4,013,869	3/1977	Orts	.	
4,210,072	7/1980	Pedrini	.....	99/340
4,544,818	10/1985	Minamida	.	
5,656,188	8/1997	Janowiak et al.	.....	99/340 X

### FOREIGN PATENT DOCUMENTS

604652 12/1975 Switzerland .

## OTHER PUBLICATIONS

Good Housekeeping, Dec. 1973, p. 136, "Table Range", by Corning.

House and Garden, May 1973, p. 156, "Lazy Day Slow-Cooker", by West Bend.

See Information Disclosure Statement regarding offer for sale less than one year before filing of this application.

Front and rear covers and pp. 250-253 of "96-97 Jewelry, Gift and Home Catalog" published by Service Merchandise Co., Inc.

Front and rear cover and pp. 200 & 201 of "General Merchandise Catalog 1990/1991" published by Best Products Co., Inc.

Primary Examiner—Caron D. Veynar

Attorney, Agent, or Firm—Roger S. Dybvig

## [57] CLAIM

The ornamental design for a griddle, skillet, and lid assembly, as shown and described.

## DESCRIPTION

FIG. 1 is a perspective view as seen from the top, front and left side of a griddle, skillet, and lid assembly showing our new design;

FIG. 2 is a front elevational view thereof;

FIG. 3 is a right side elevational view thereof, the left side elevational view being substantially a mirror image of the right side elevational view;

FIG. 4 is a rear elevational view thereof;

FIG. 5 is a top plan view thereof;

FIG. 6 is a bottom plan view thereof;

FIG. 7 is a perspective view identical to FIG. 1 but showing the skillet, which rests on the top of the griddle, rotated 90 degrees from its orientation shown in FIG. 1;

FIG. 8 is a perspective view identical to FIG. 7 but showing the lid, which rests on the top of the skillet, rotated 90 degrees from its orientation shown in FIG. 7;

FIG. 9 is a perspective view as seen from the top, front and left side of a second embodiment of a griddle, skillet, and lid assembly showing our new design;

FIG. 10 is a front elevational view thereof;

FIG. 11 is a right side elevational view thereof, the left side elevational view being a mirror image of the right side elevational view;

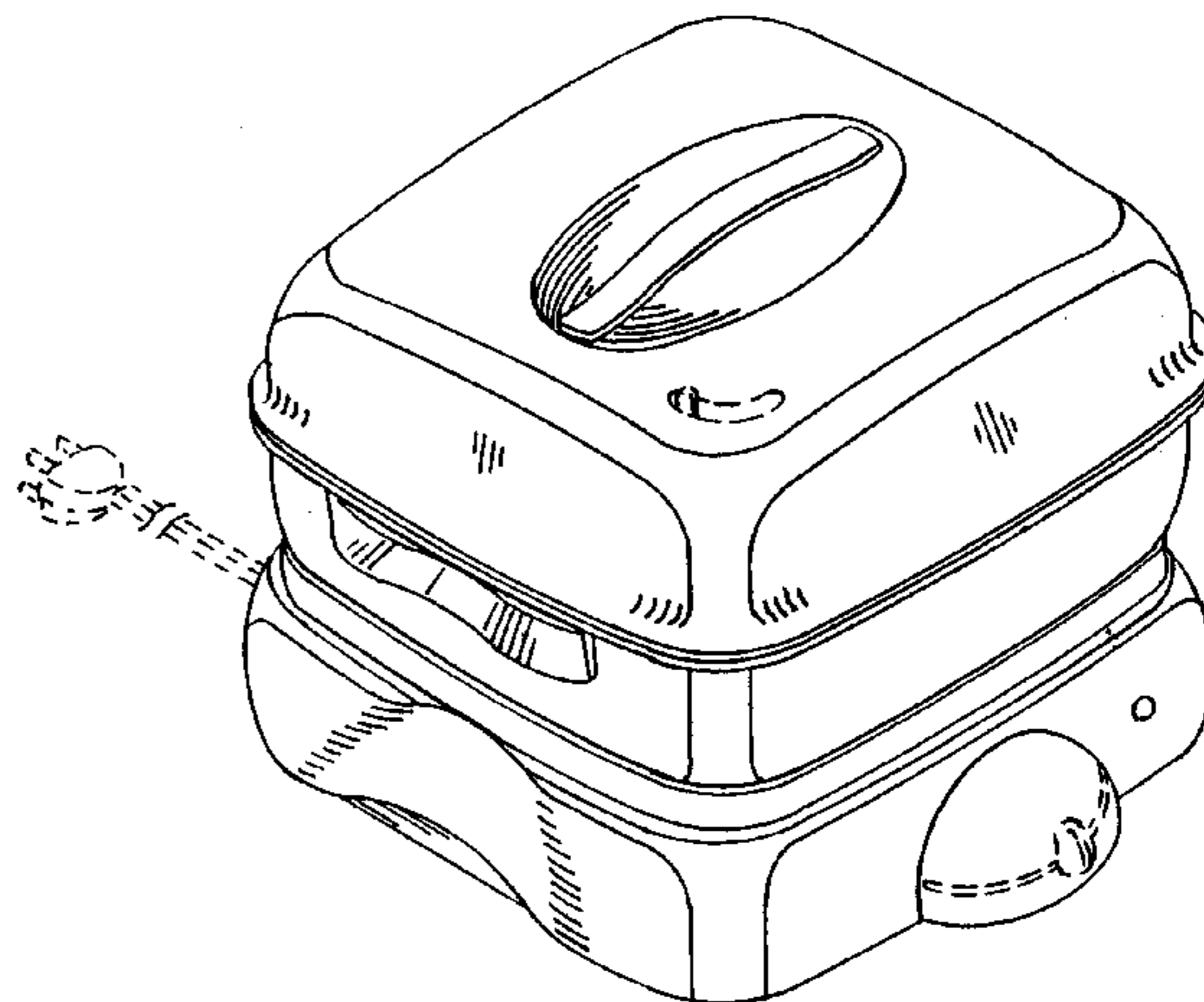
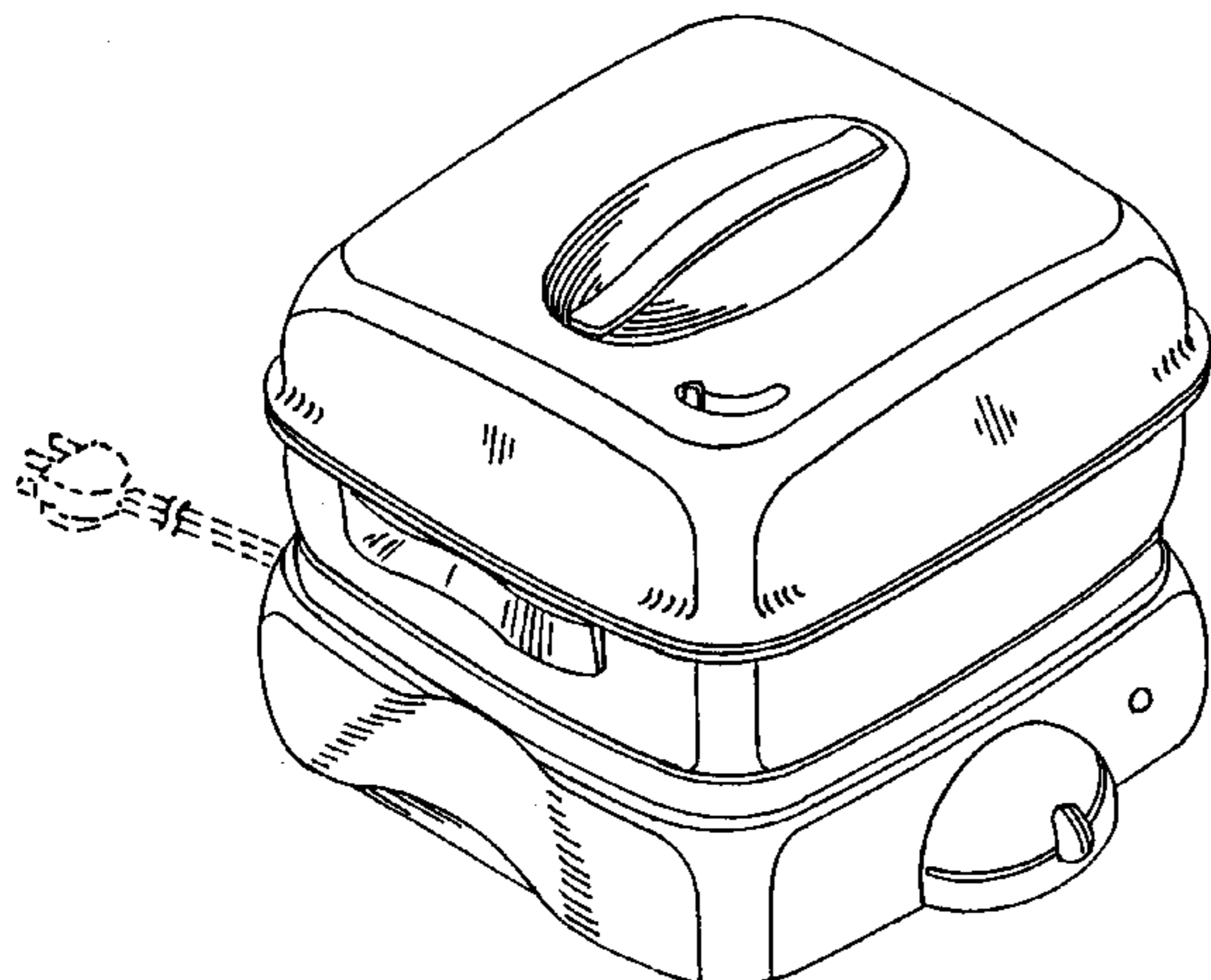


FIG. 12 is a rear elevational view thereof;  
FIG. 13 is a top plan view thereof;  
FIG. 14 is a bottom plan view thereof;  
FIG. 15 is a perspective view identical to FIG. 9 but showing the skillet, which rests on the top of the griddle, rotated 90 degrees from its orientation shown in FIG. 9;  
FIG. 16 is a perspective view identical to FIG. 15 but showing the lid, which rests on the top of the skillet, rotated 90 degrees from its orientation shown in FIG. 15;  
FIG. 17 is a perspective view of the lid shown in FIG. 1 which is shown separately for ease of illustration;  
FIG. 18 is a front elevational view thereof, the rear elevational view being substantially a mirror image of the front elevational view;  
FIG. 19 is a right side elevational view thereof, the left side elevational view being substantially a mirror image of the right side elevational view;  
FIG. 20 is a top plan view thereof;  
FIG. 21 is a bottom plan view thereof;  
FIG. 22 is a perspective view of the lid shown in FIG. 9 which is shown separately for ease of illustration;  
FIG. 23 is a front elevational view thereof, the rear elevational view being a mirror image of the front elevational view;  
FIG. 24 is a right side elevational view thereof, the left side elevational view being a mirror image of the right side elevational view;  
FIG. 25 is a top plan view thereof;  
FIG. 26 is a bottom plan view thereof;  
FIG. 27 is a perspective view of the skillet shown in FIGS. 1 and 9 which is shown separately for ease of illustration;  
FIG. 28 is a front elevational view thereof, the rear elevational view being a mirror image of the front elevational view;  
FIG. 29 is a right side elevational view thereof, the left side elevational view being a mirror image of the right side elevational view;  
FIG. 30 is a top plan view thereof;  
FIG. 31 is a bottom plan view thereof;

FIG. 32 is a perspective view of the griddle shown in FIG. 1 which is shown separately for ease of illustration;  
FIG. 33 is a front elevational view thereof;  
FIG. 34 is a right side elevational view thereof;  
FIG. 35 is a left side elevational view thereof;  
FIG. 36 is a rear elevational view thereof;  
FIG. 37 is a top plan view thereof;  
FIG. 38 is a bottom plan view thereof;  
FIG. 39 is a perspective view of the griddle shown in FIG. 9 which is shown separately for ease of illustration;  
FIG. 40 is a front elevational view thereof;  
FIG. 41 is a right side elevational view thereof;  
FIG. 42 is a left side elevational view thereof;  
FIG. 43 is a rear elevational view thereof;  
FIG. 44 is a top plan view thereof; and,  
FIG. 45 is a bottom plan view thereof.

The broken lines in FIGS. 1, 2, 3, 4, and 6 showing the power cord, the feet, and the underside of the griddle are used for illustrative purposes only and form no part of the claimed design.

The broken lines in FIGS. 9 through 16 showing the power cord, the feet, the vent slot and knob of the lid, the dial slot and knob of the griddle, the power indicator light, and the underside of the griddle are used for illustrative purposes only and form no part of the claimed design.

The broken lines in FIGS. 22 through 26 showing the vent slot, knob, and vent slot closure plate of the lid are used for illustrative purposes only and form no part of the claimed design.

The broken lines in FIGS. 33, 34, 35, 36, and 38 showing the feet and the underside of the griddle are used for illustrative purposes only and form no part of the claimed design.

The broken lines in FIGS. 39 through 45 showing the feet, the dial slot and knob of the griddle, the power indicator light, and the underside of the griddle are used for illustrative purposes only and form no part of the claimed design.

**1 Claim, 9 Drawing Sheets**

FIG-1

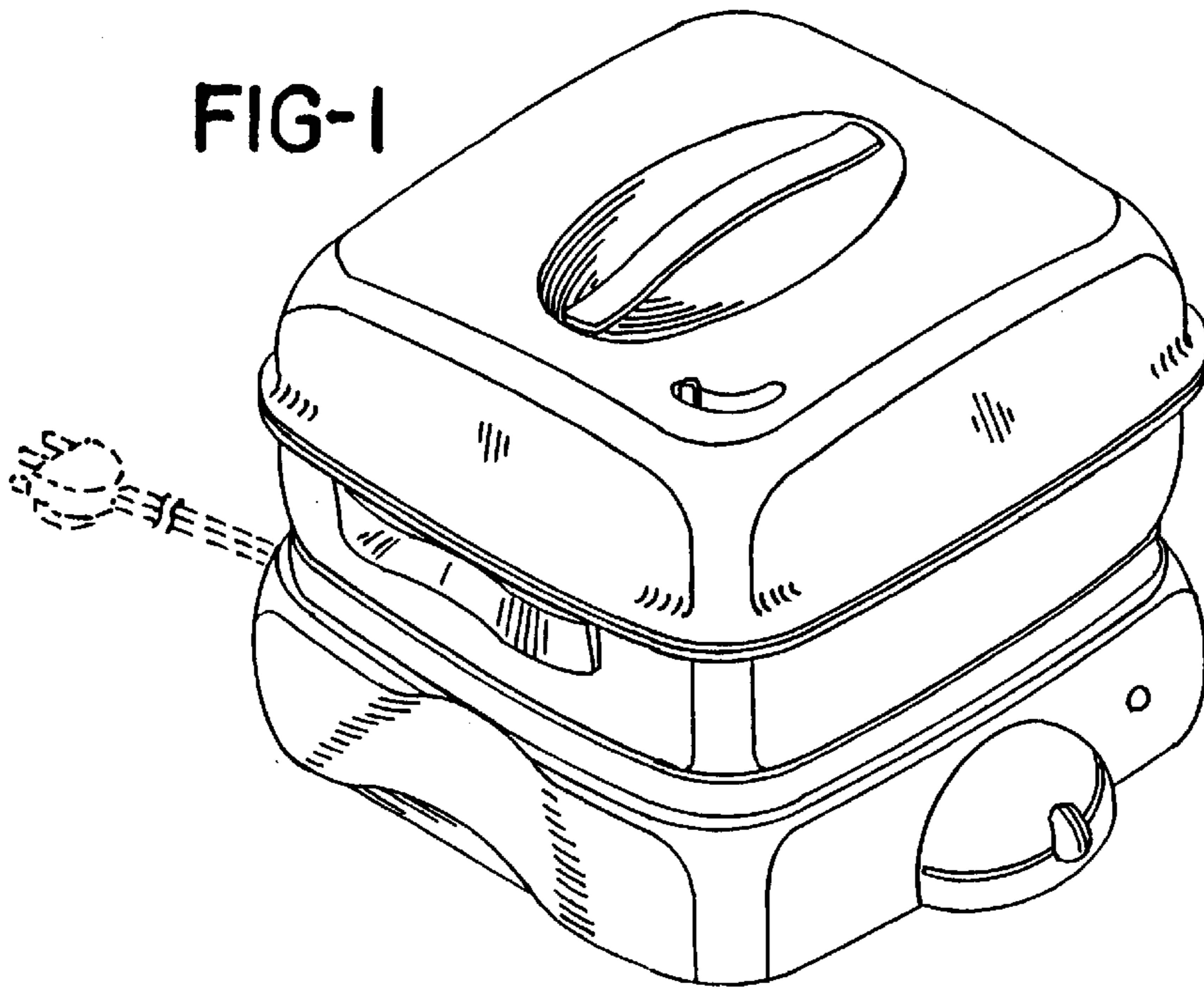


FIG-2

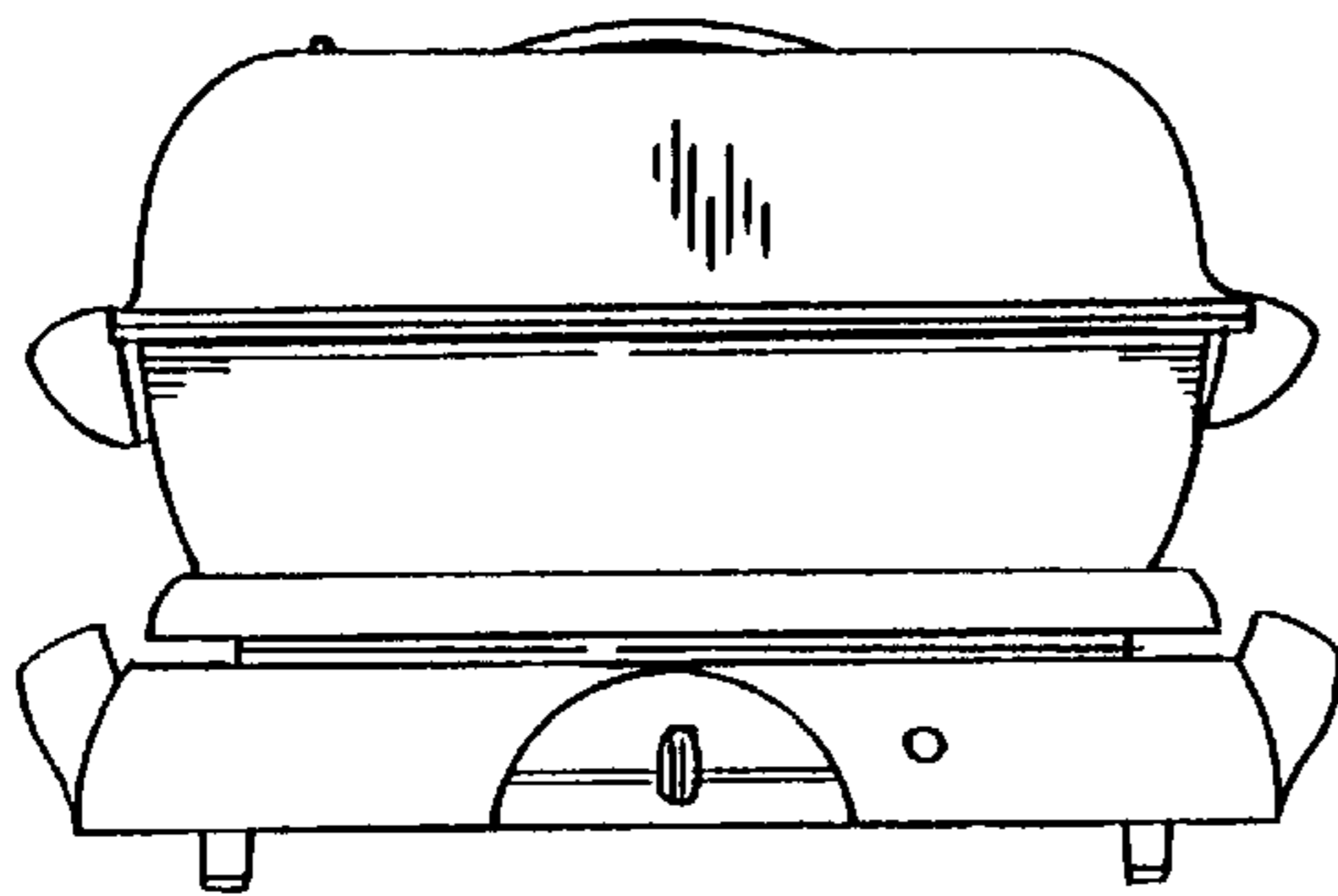


FIG-3

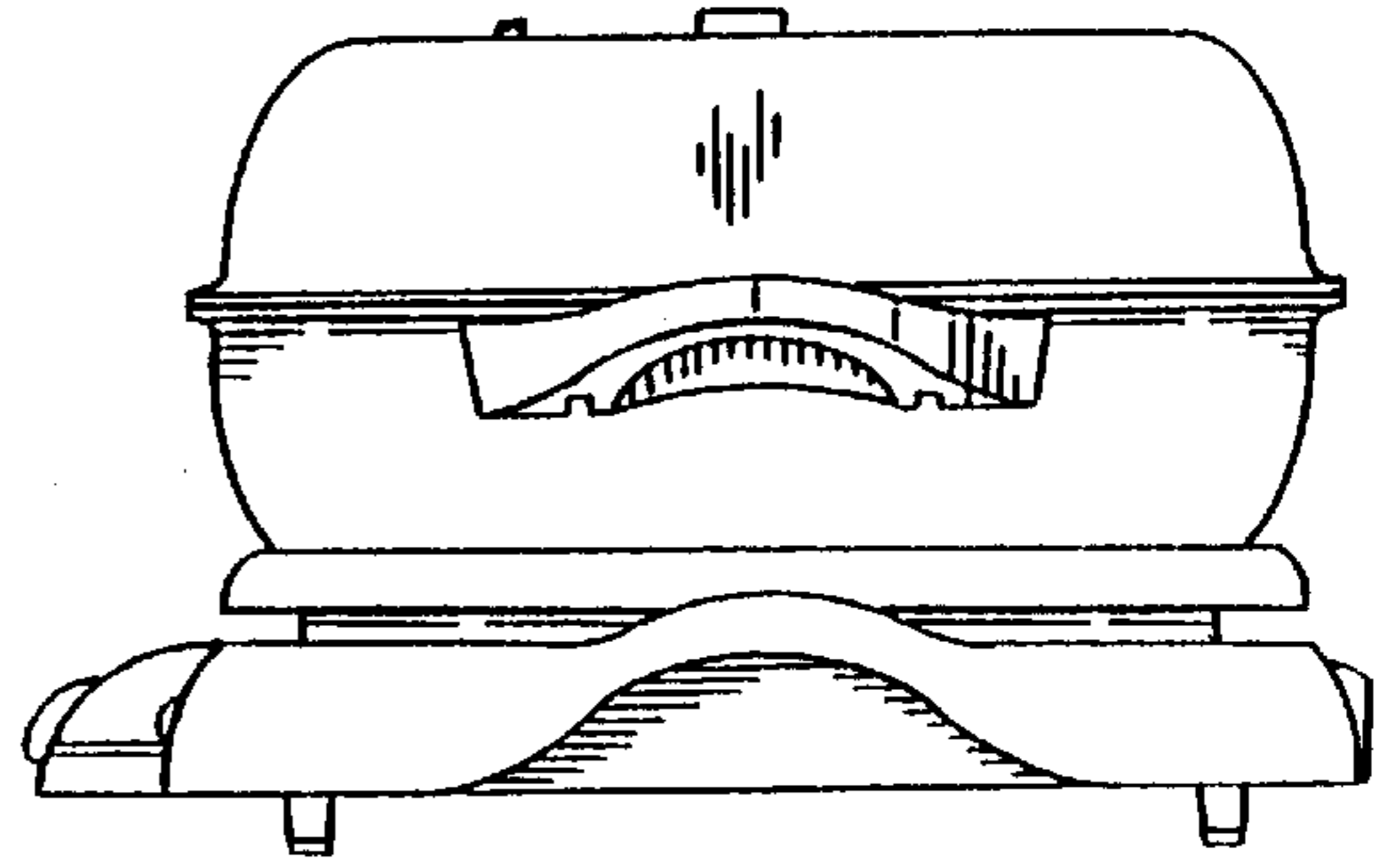


FIG-4

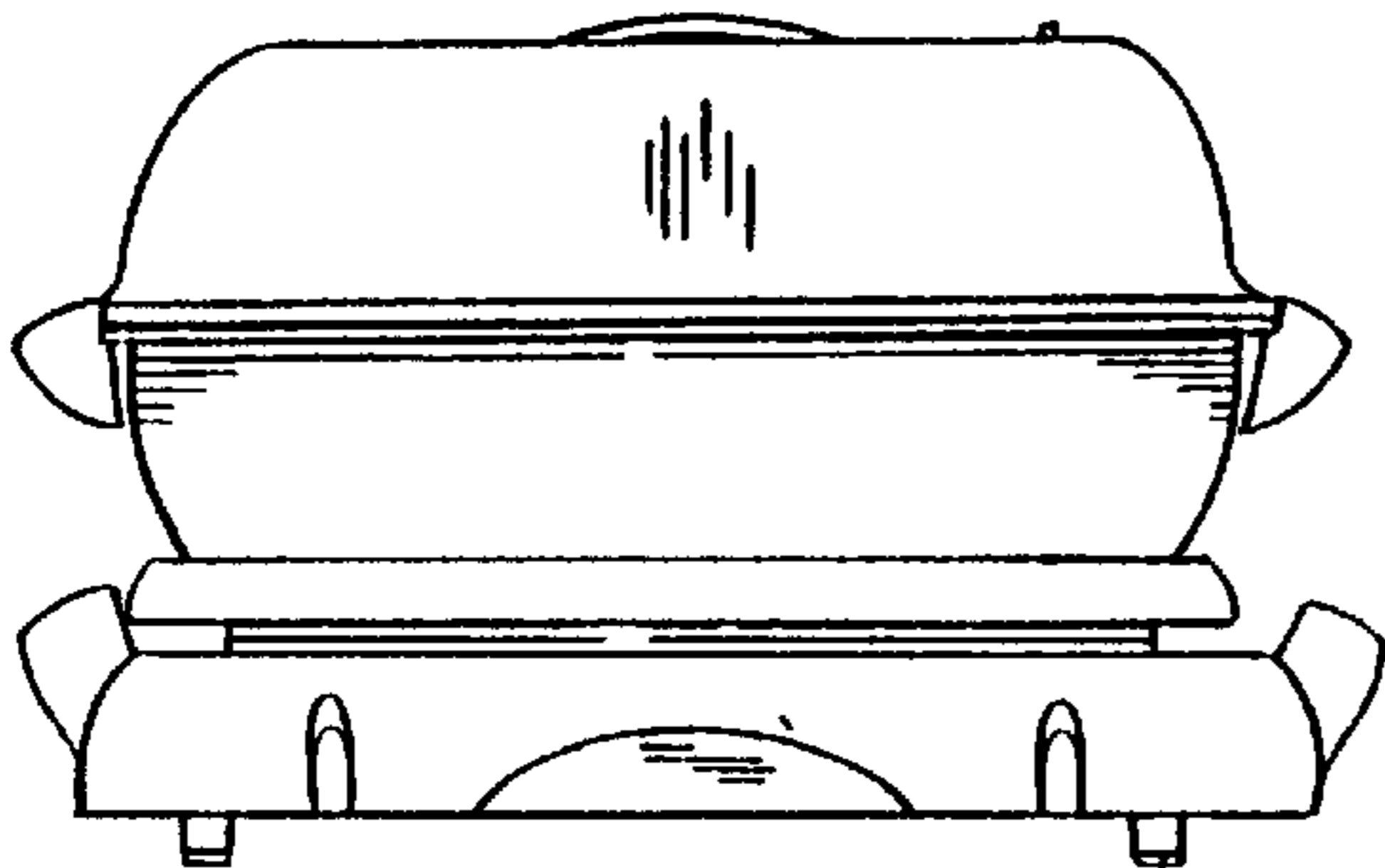


FIG-5

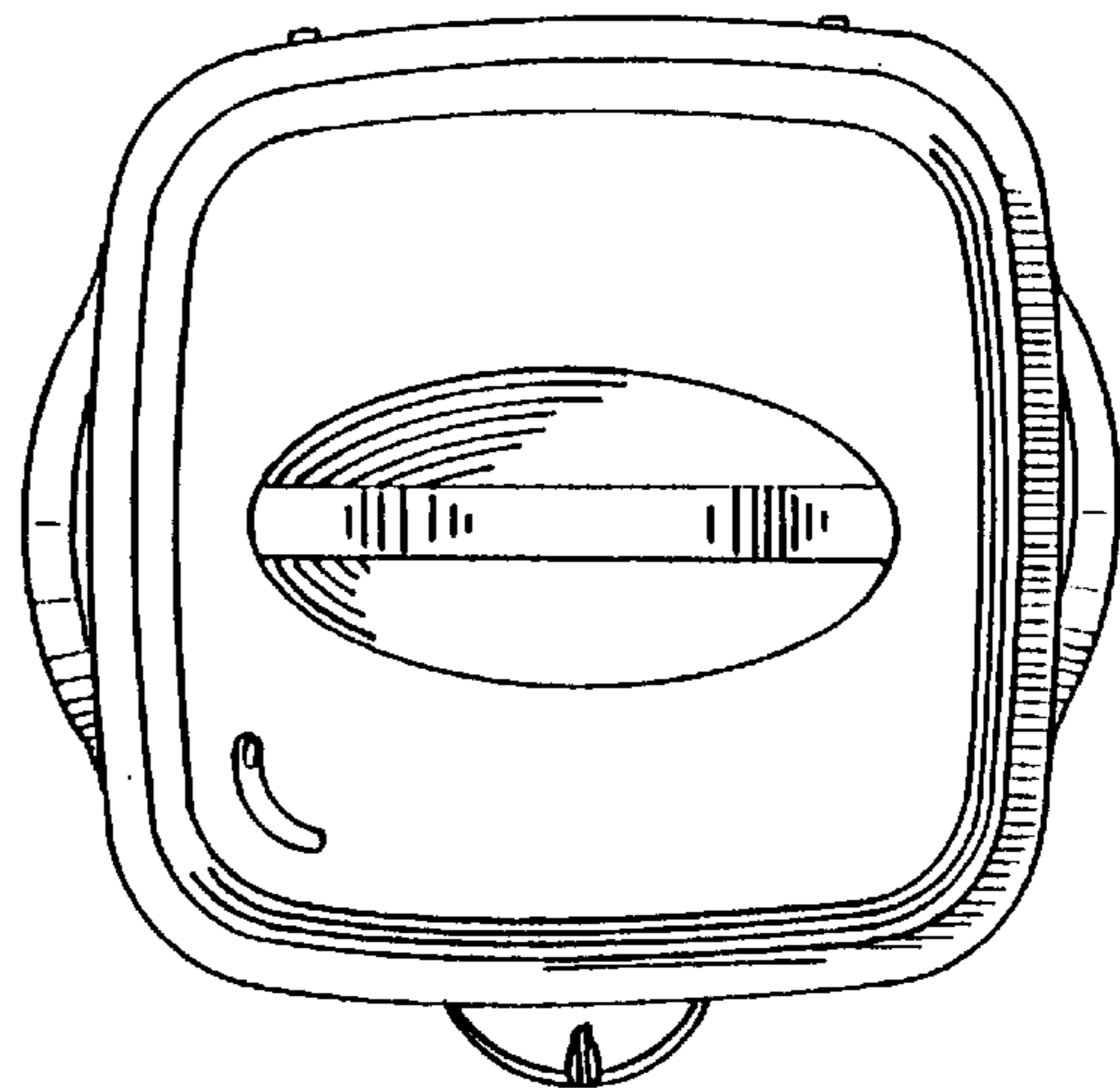


FIG-6

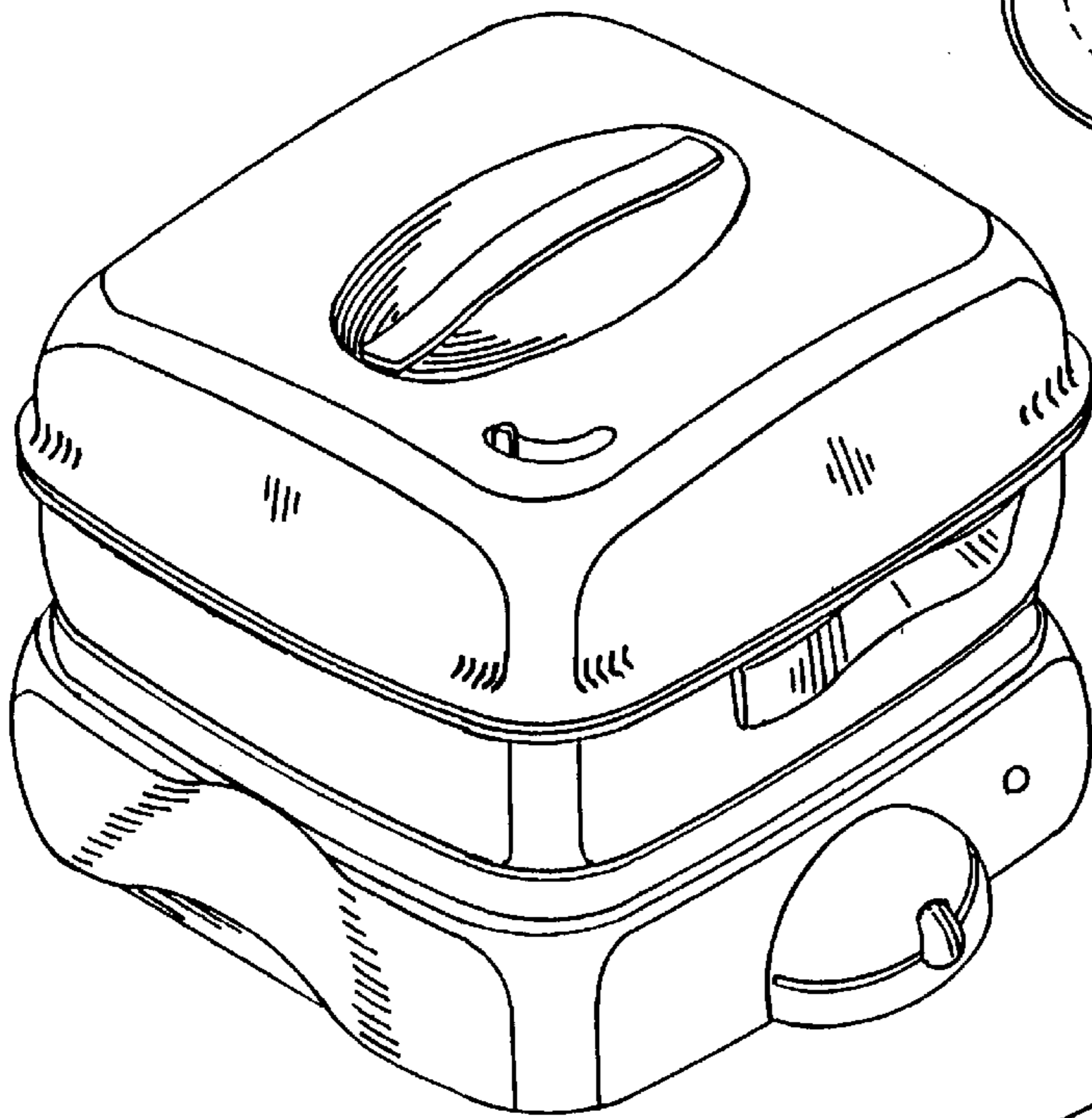
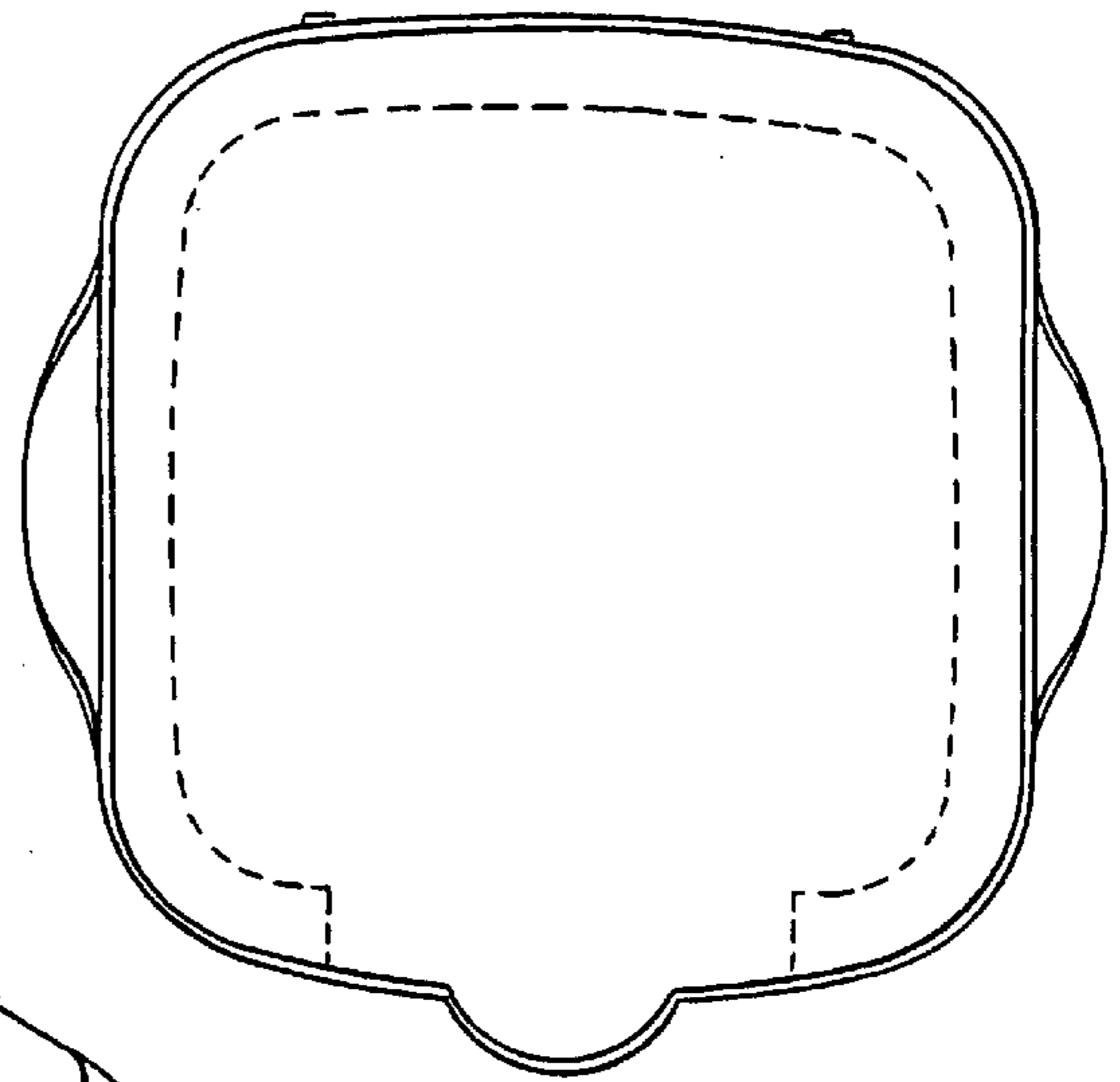


FIG-7

FIG-8

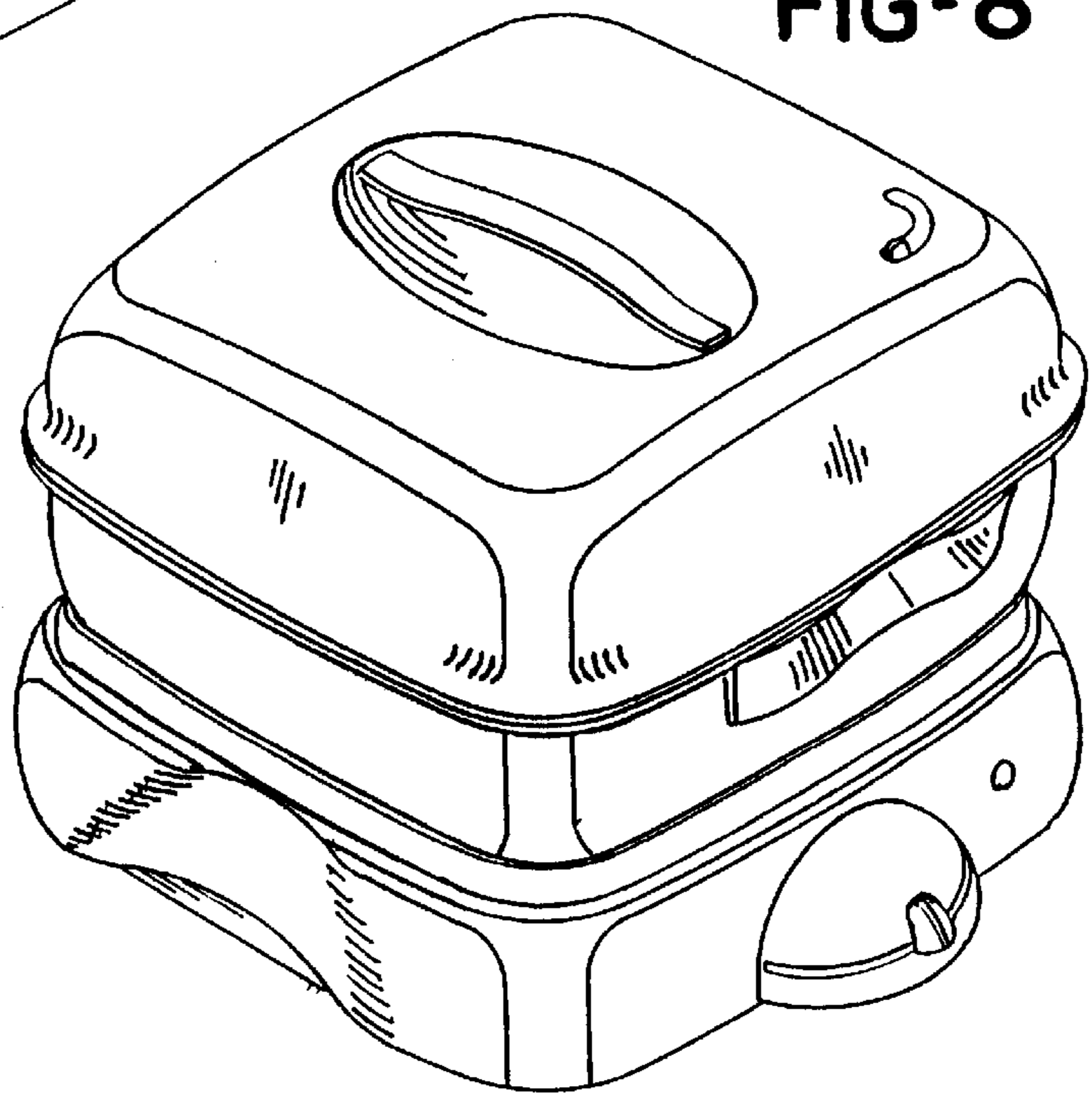


FIG-9

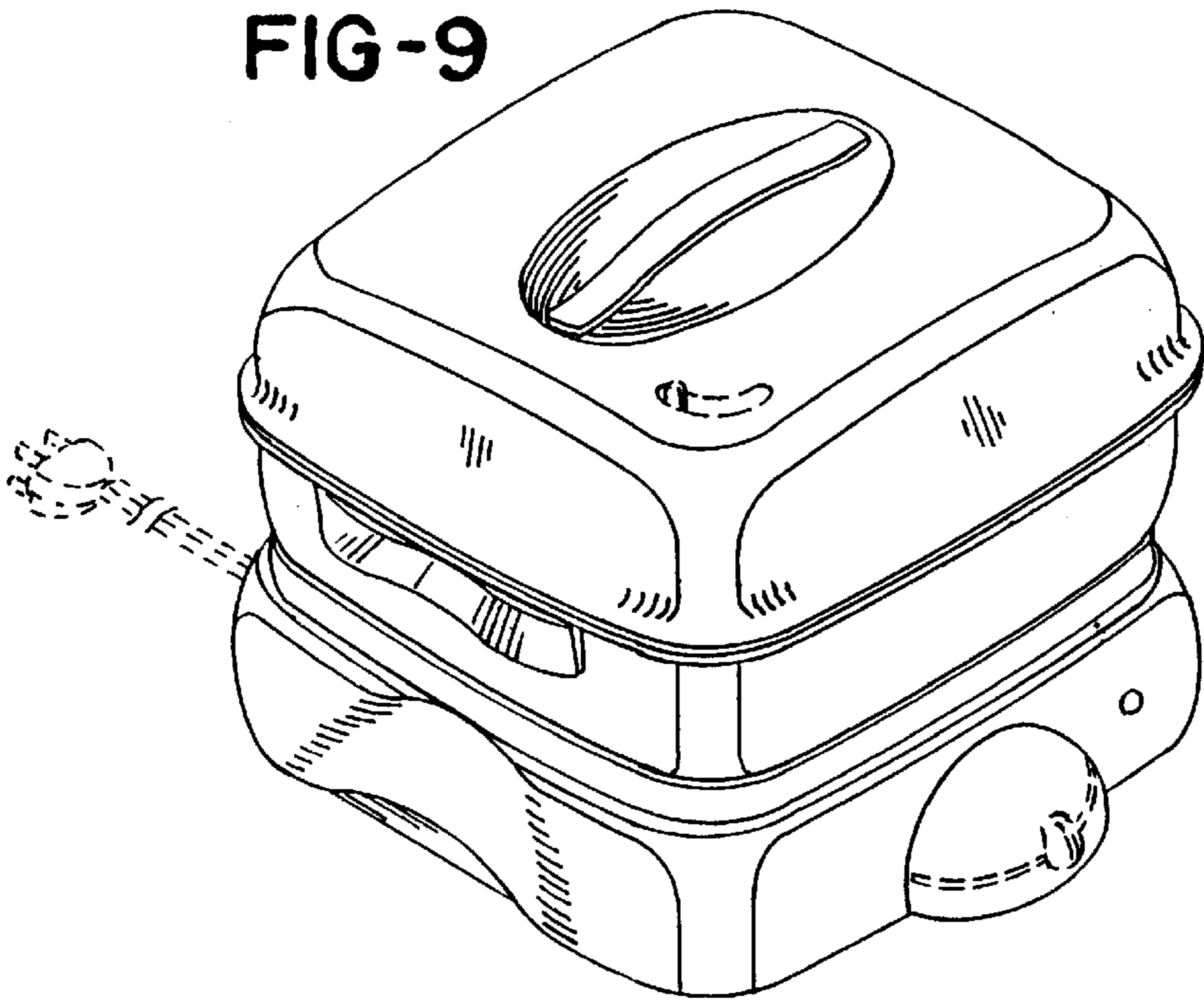


FIG-10

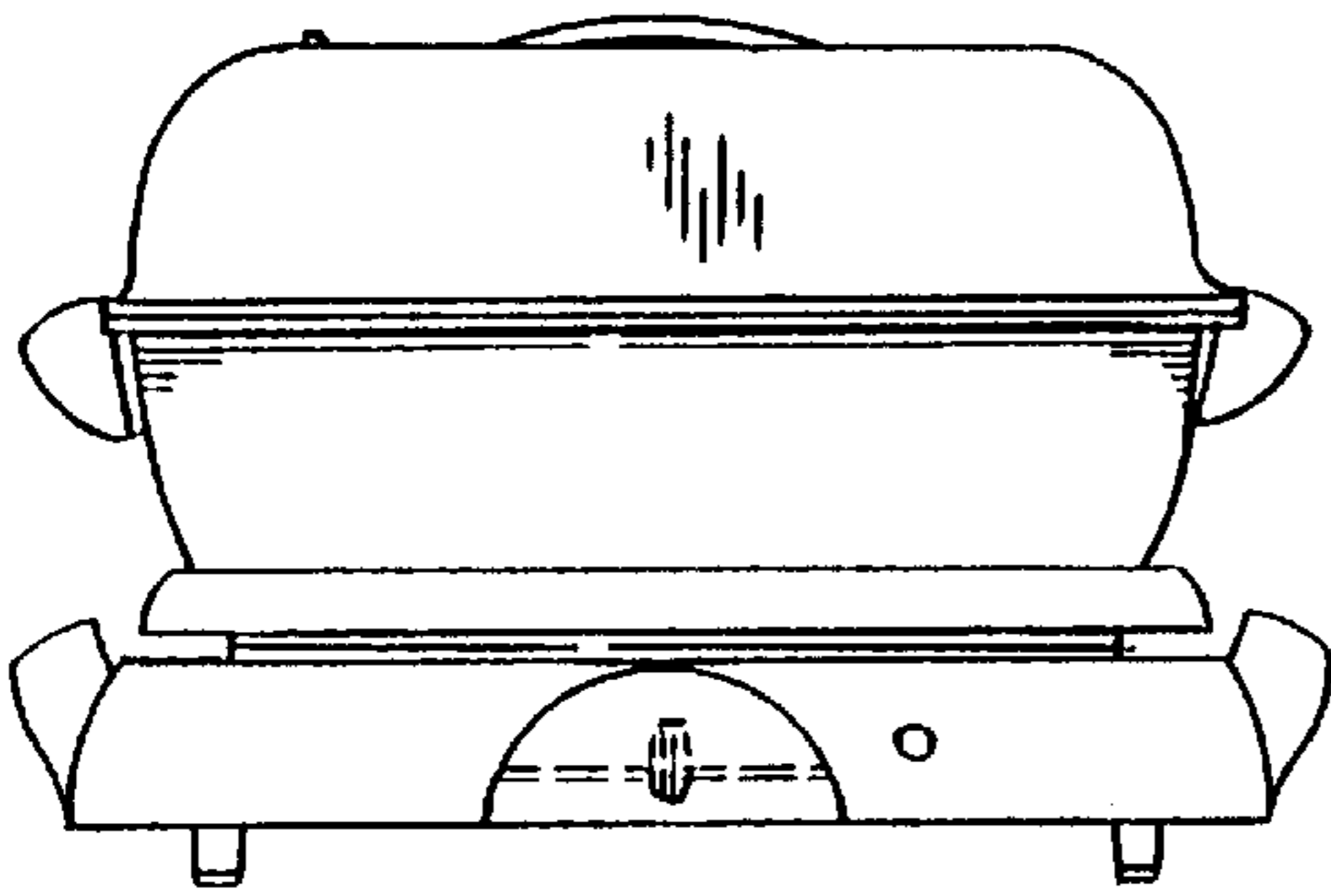


FIG-11

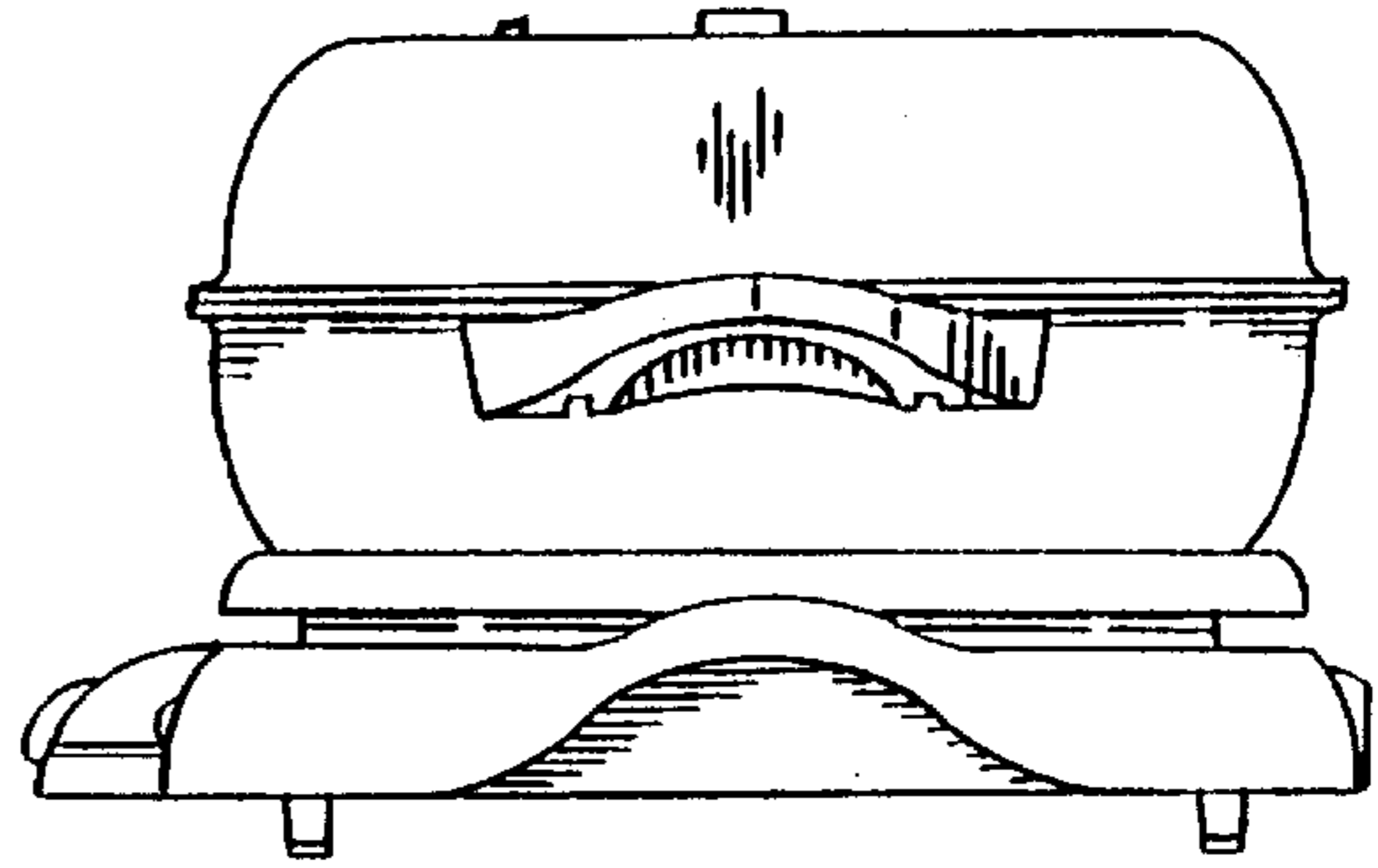


FIG-12

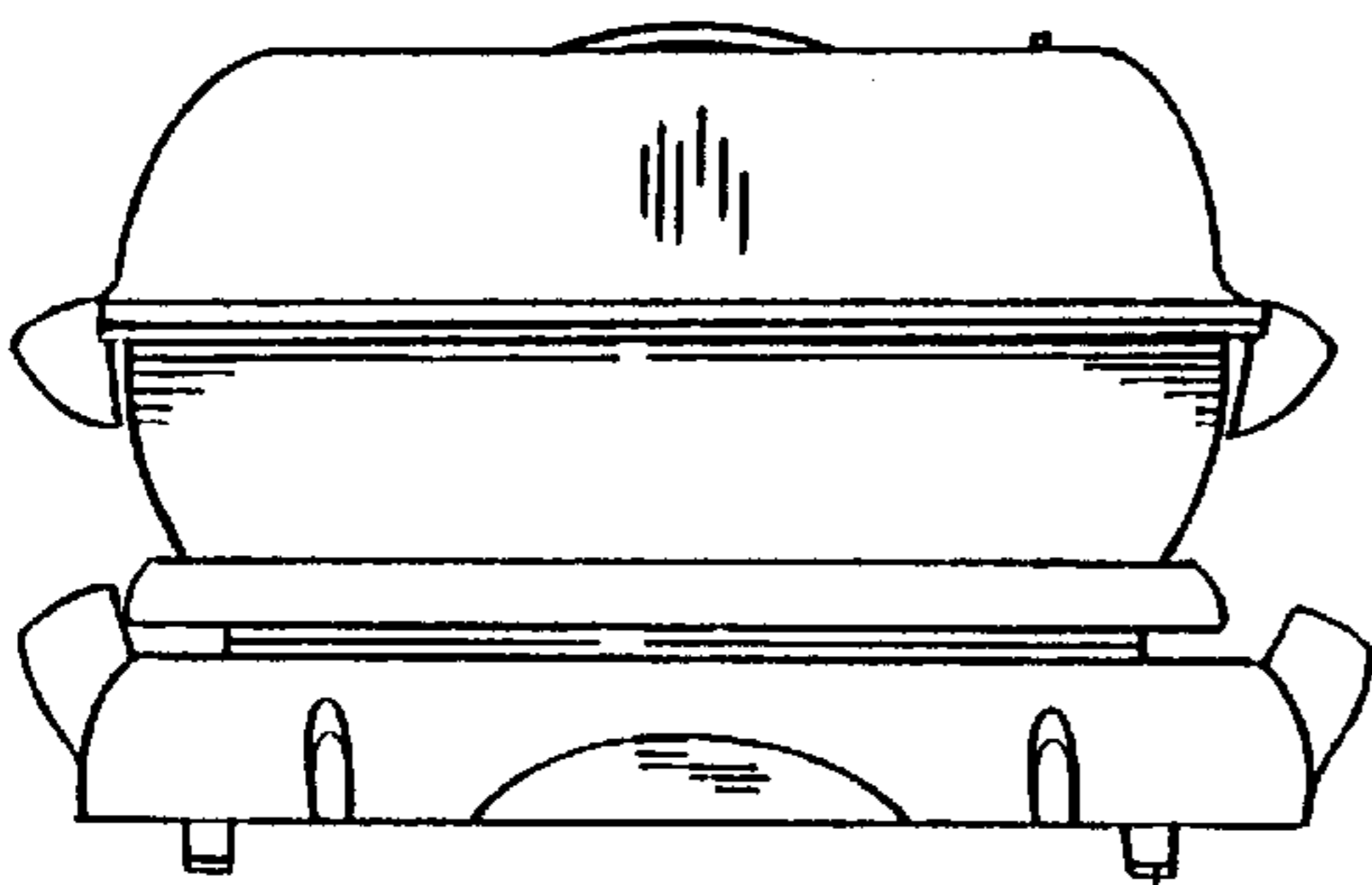


FIG-13

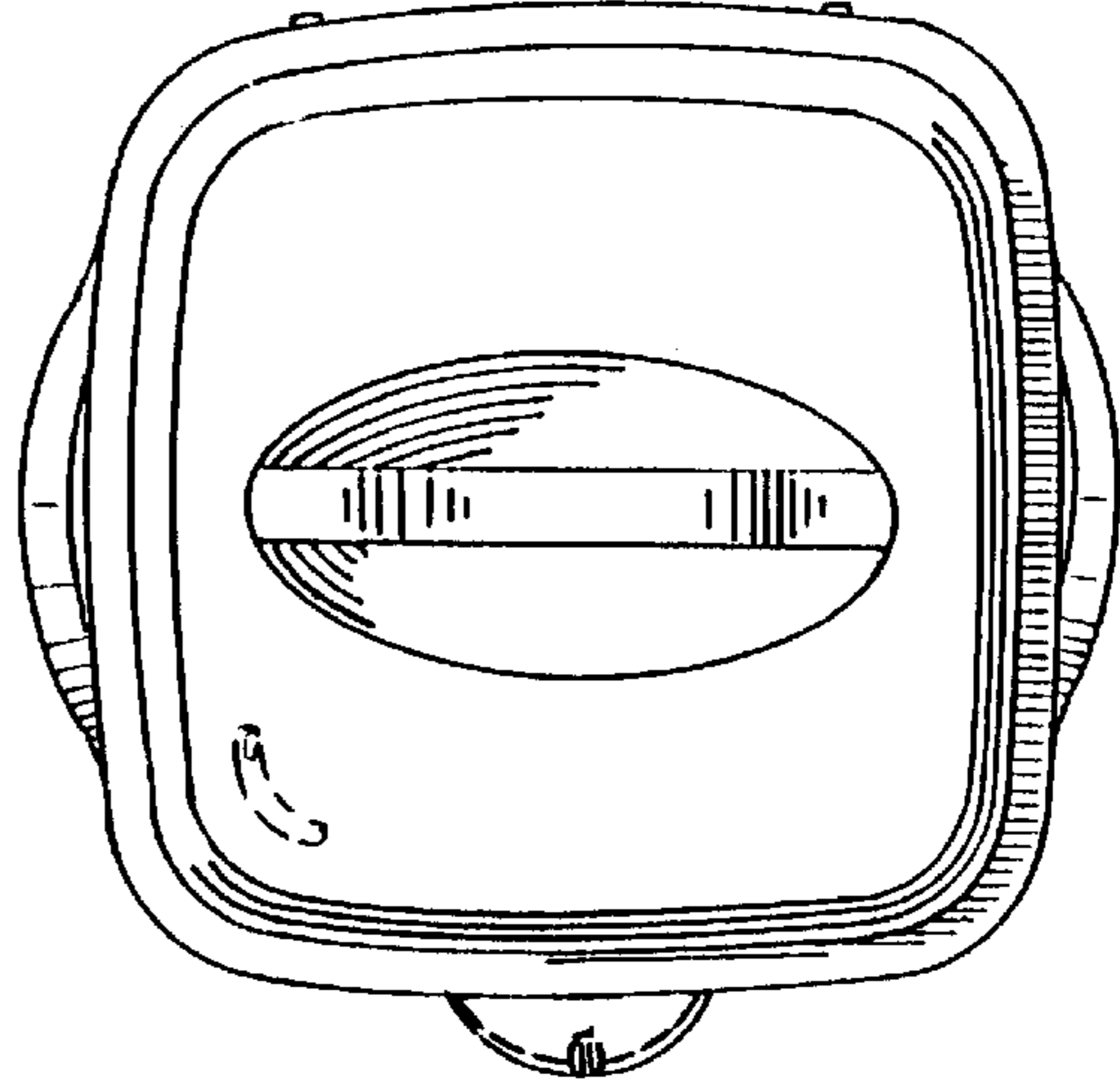


FIG-14

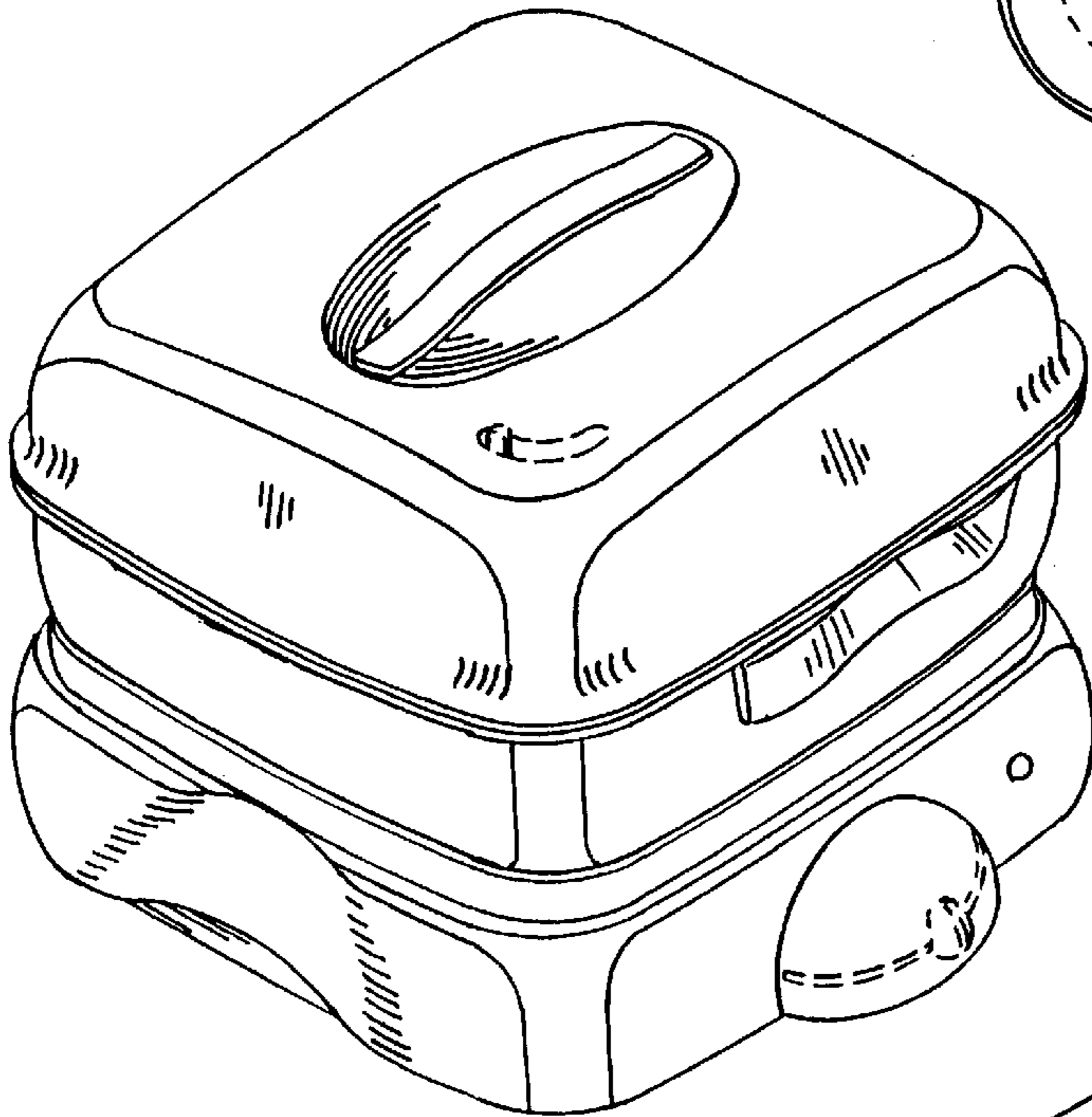
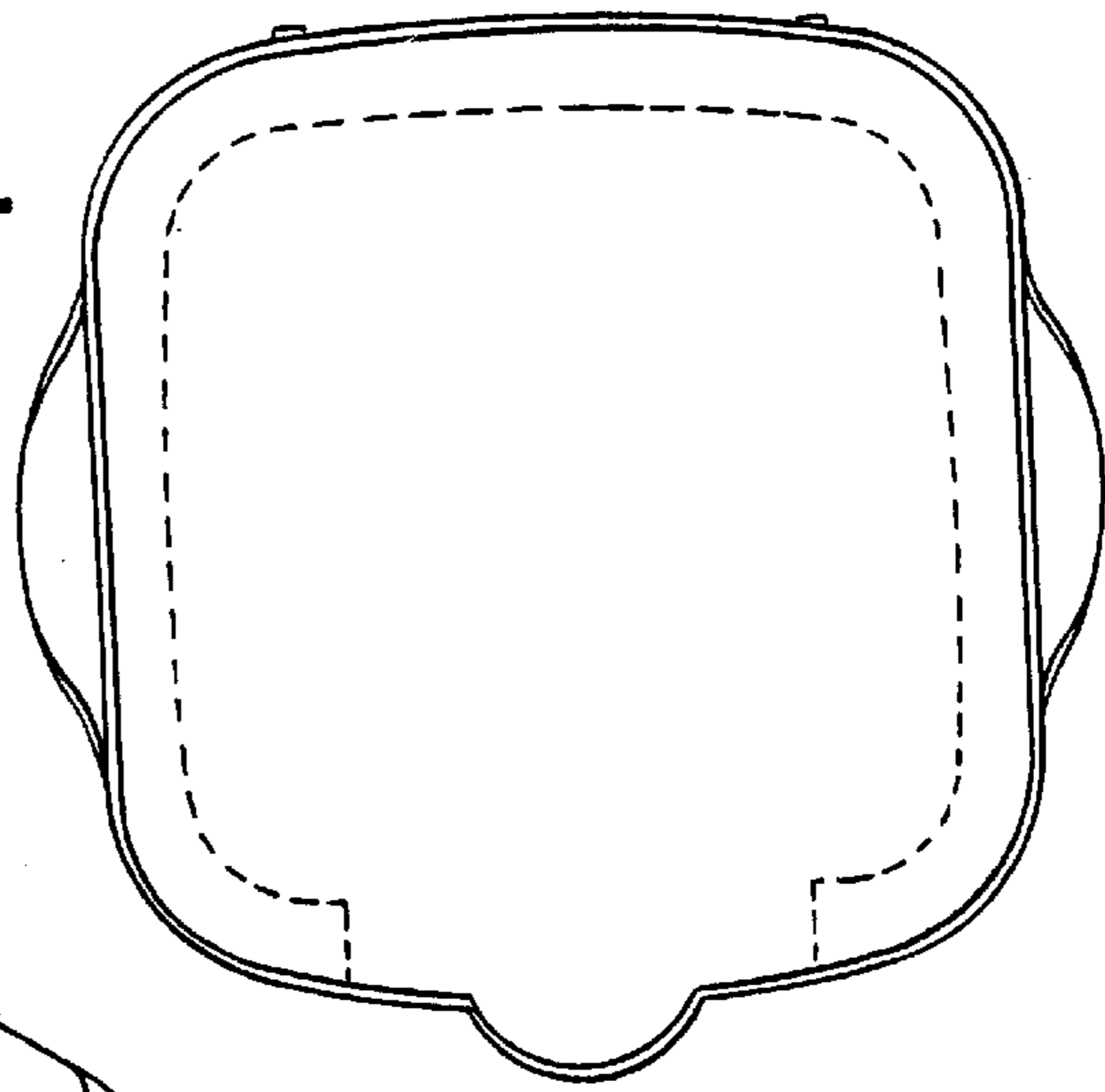
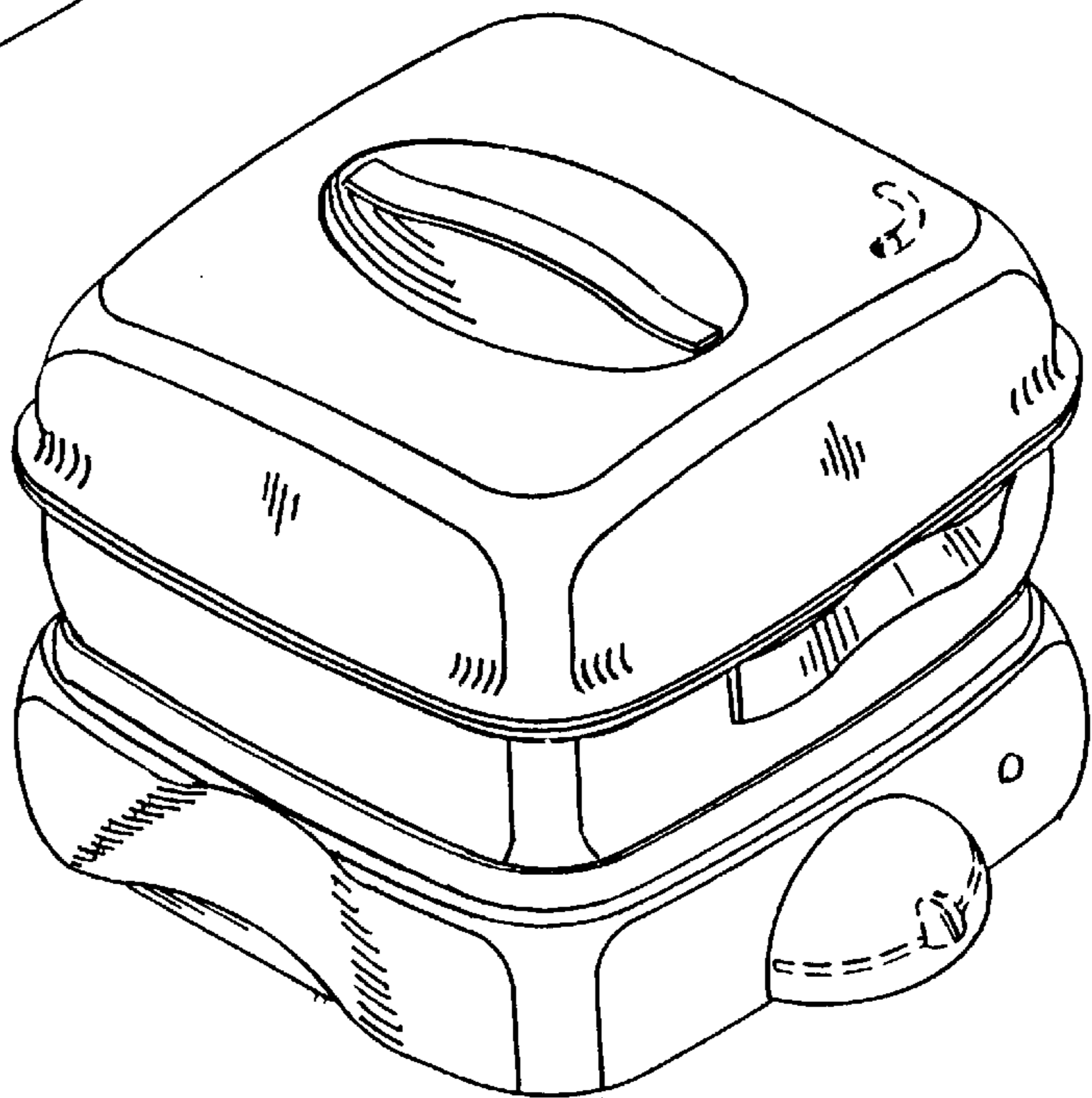
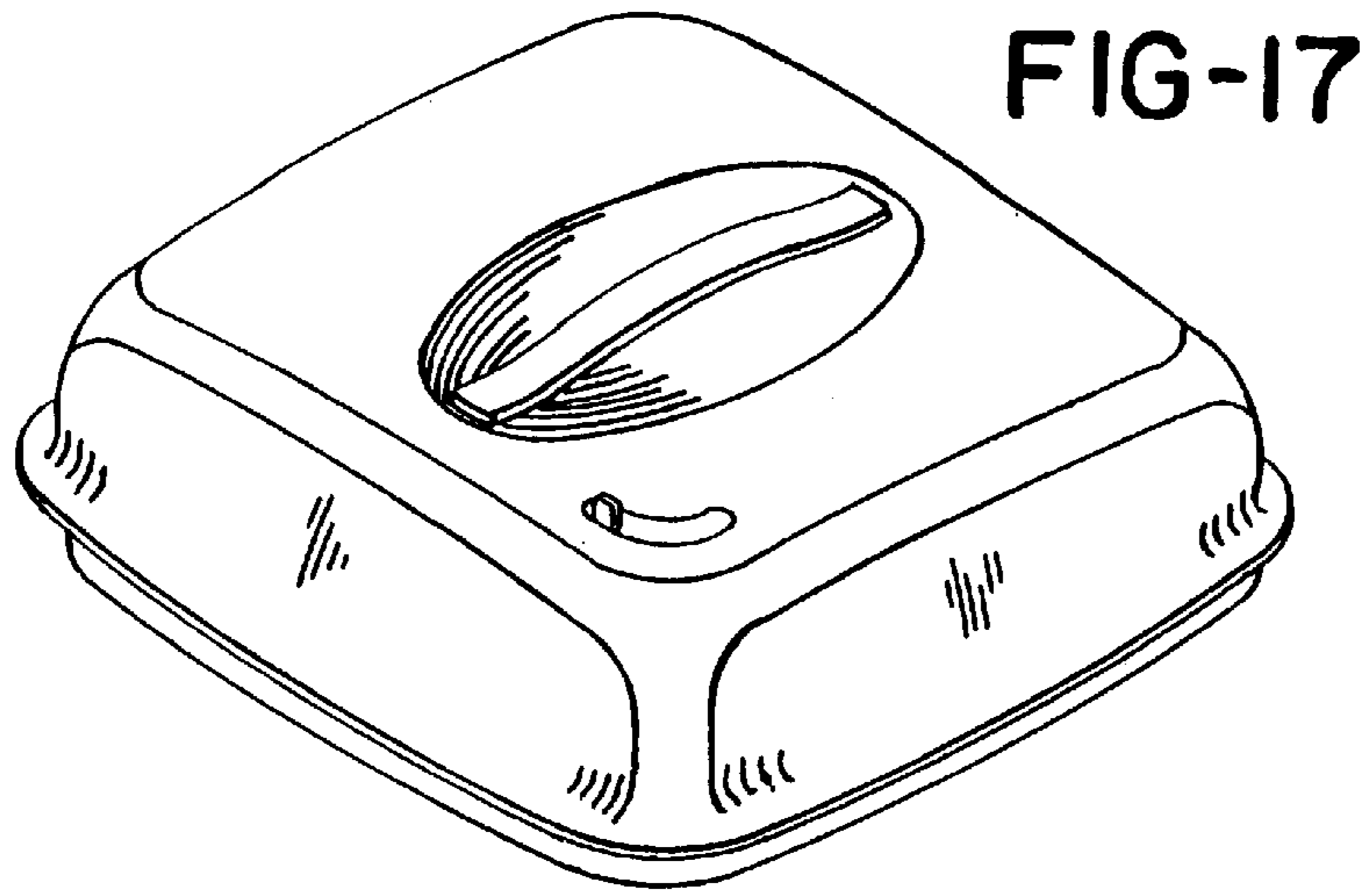


FIG-15

FIG-16

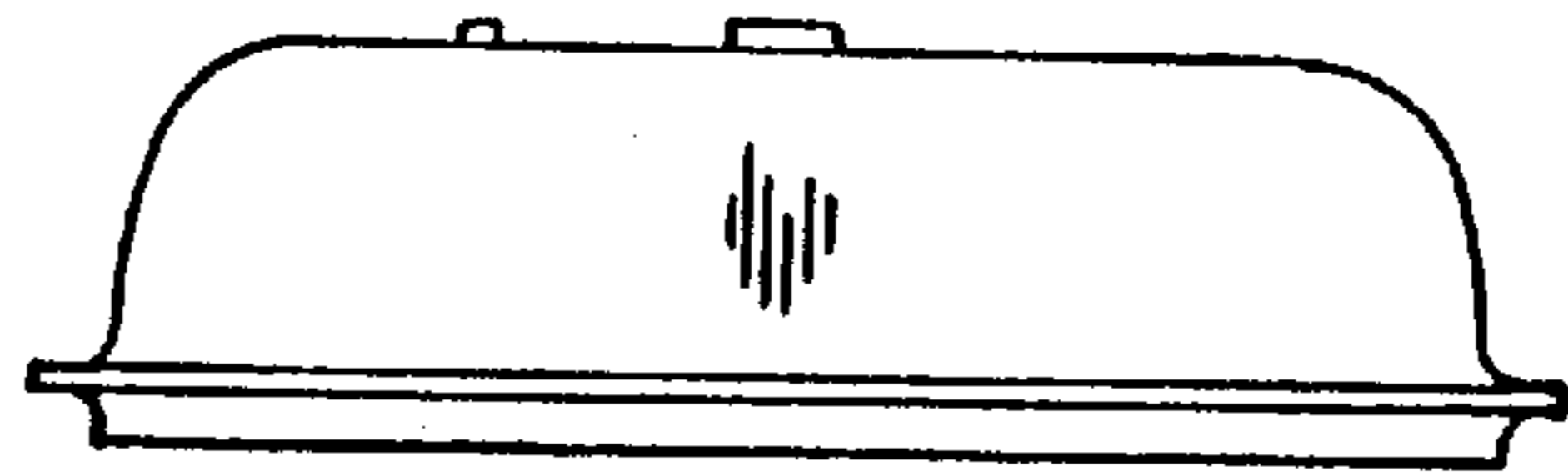




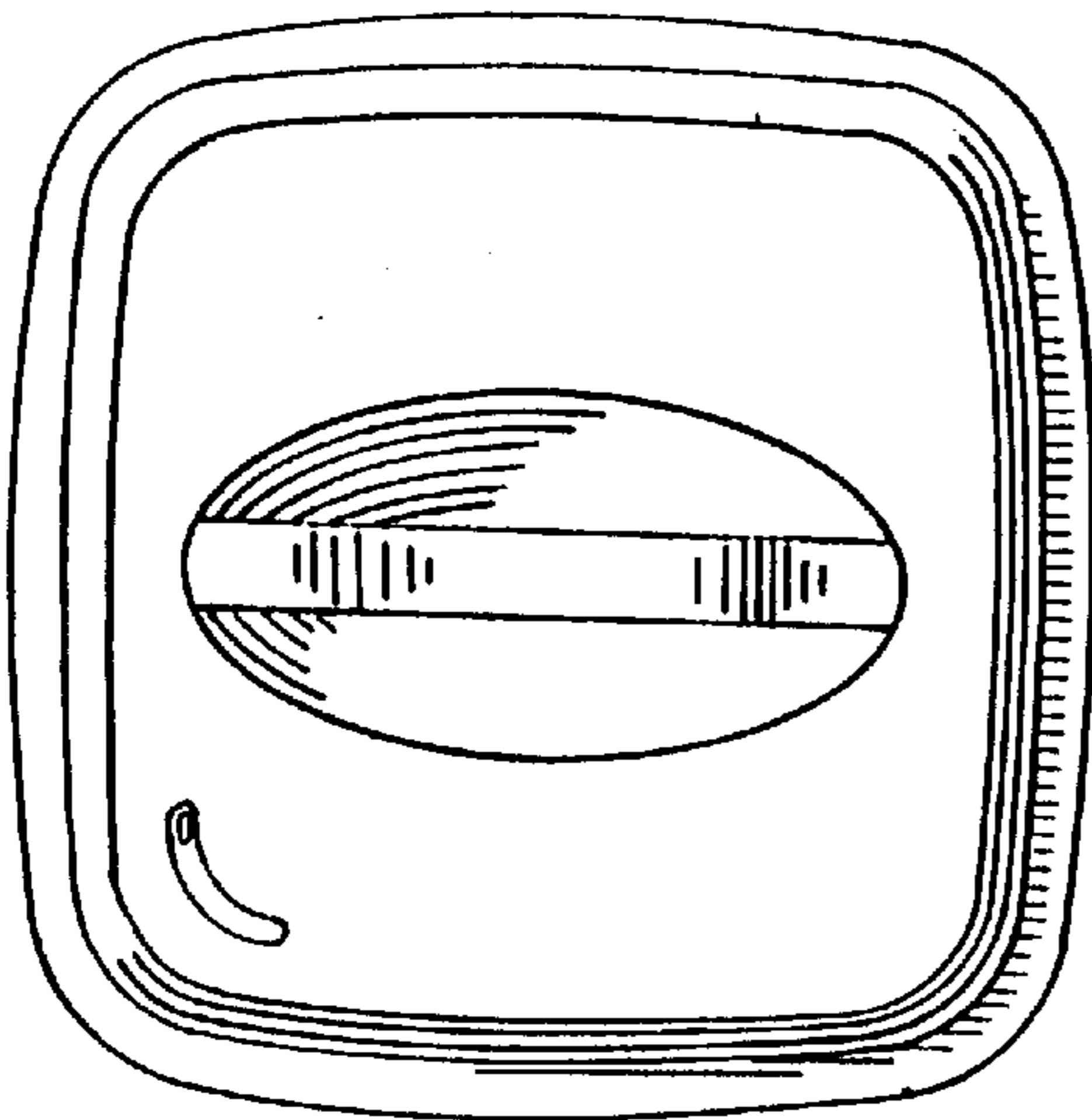
**FIG-18**



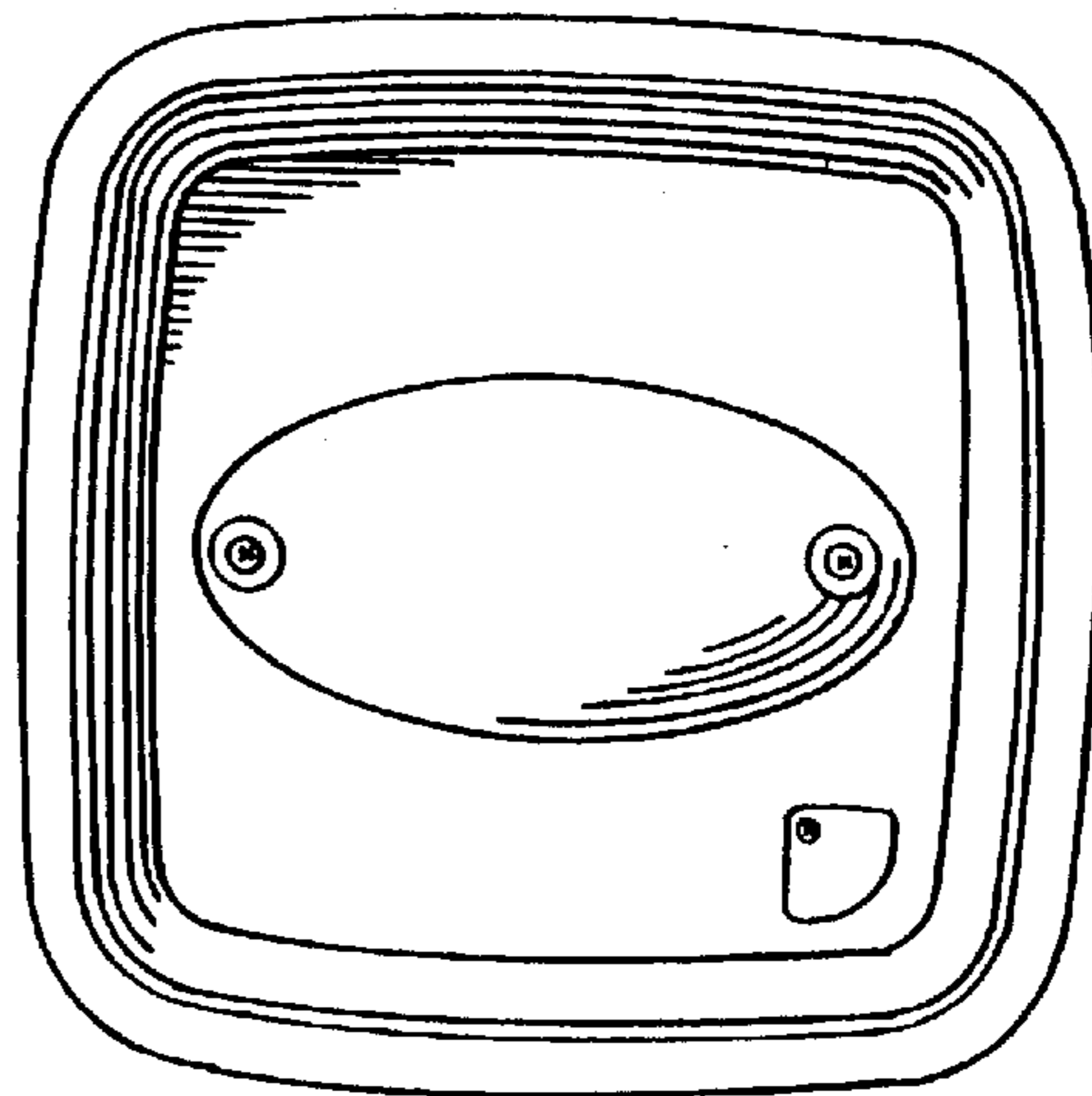
**FIG-19**



**FIG-20**



**FIG-21**



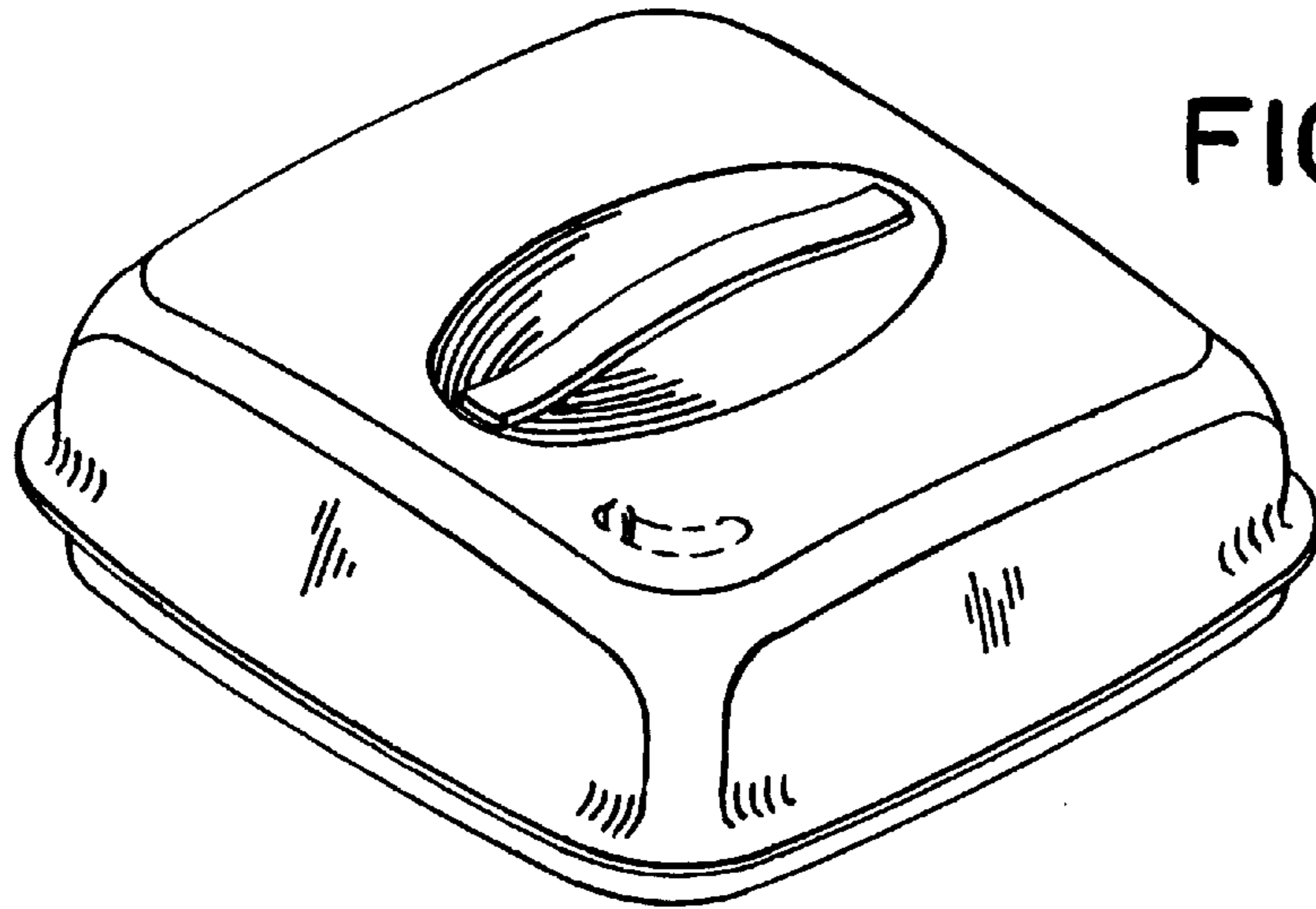


FIG-22

FIG-23



FIG-24

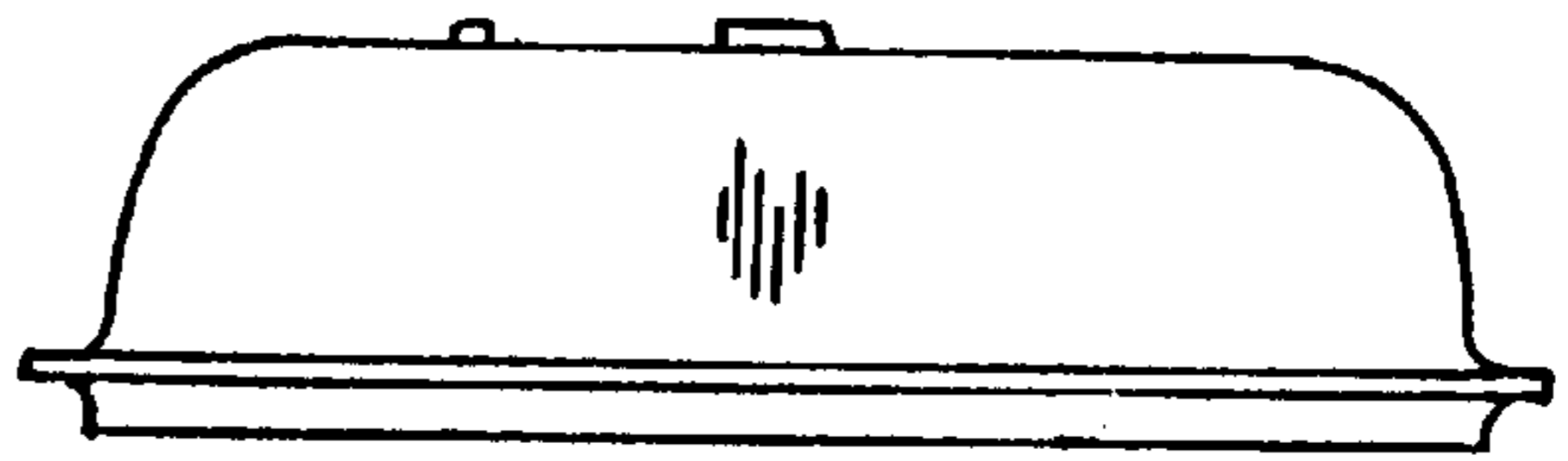


FIG-25

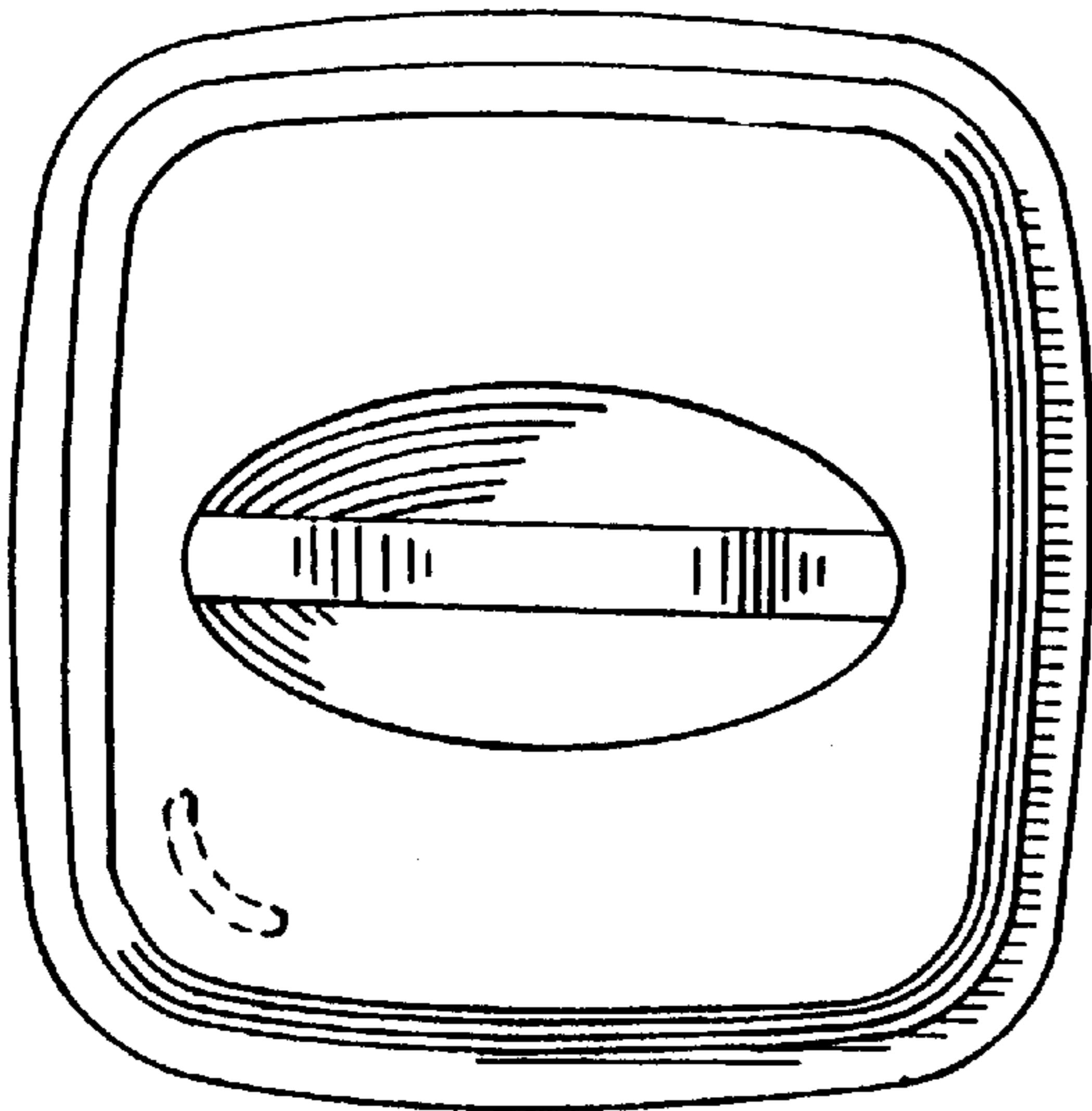


FIG-26

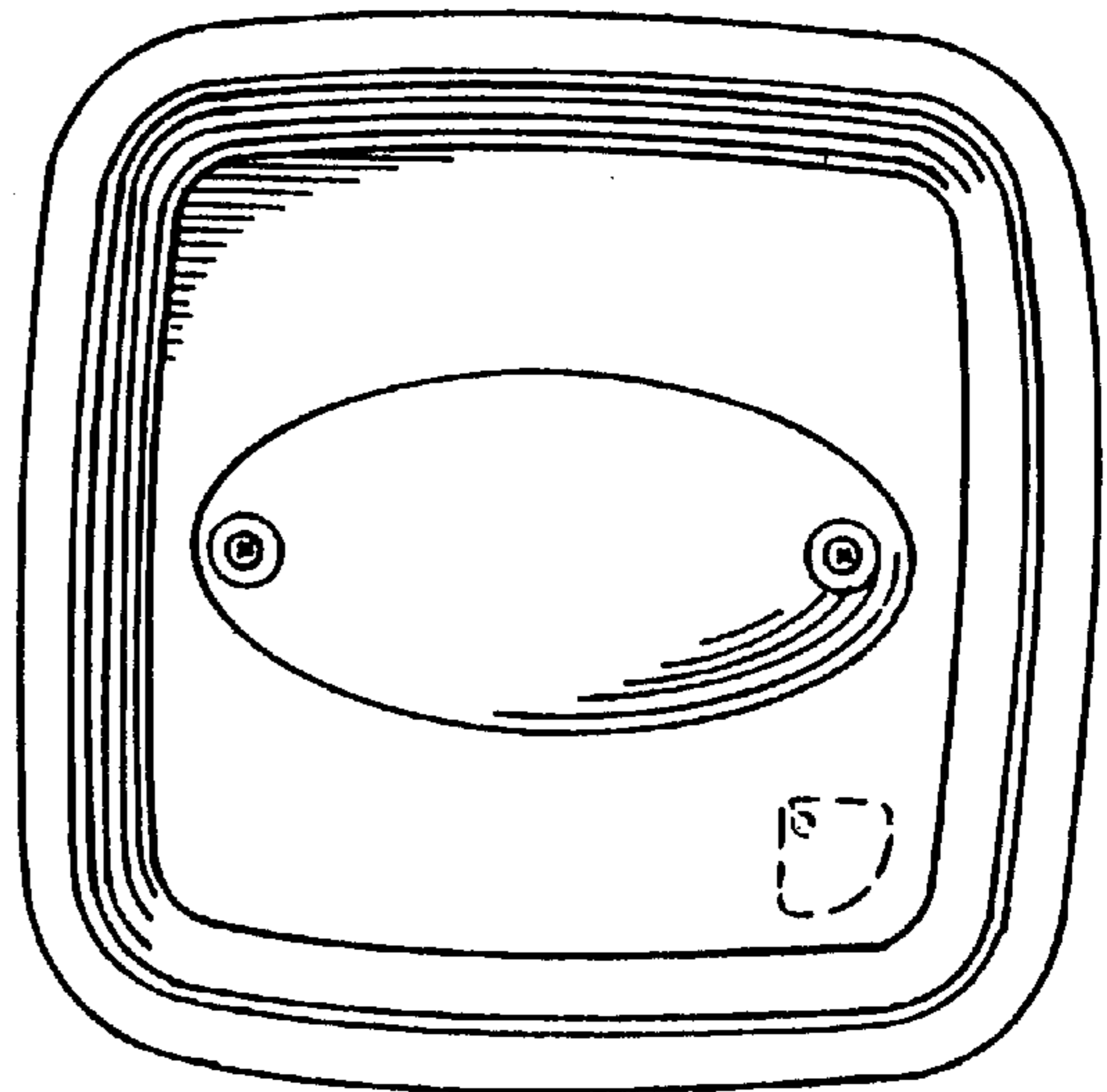




FIG-27

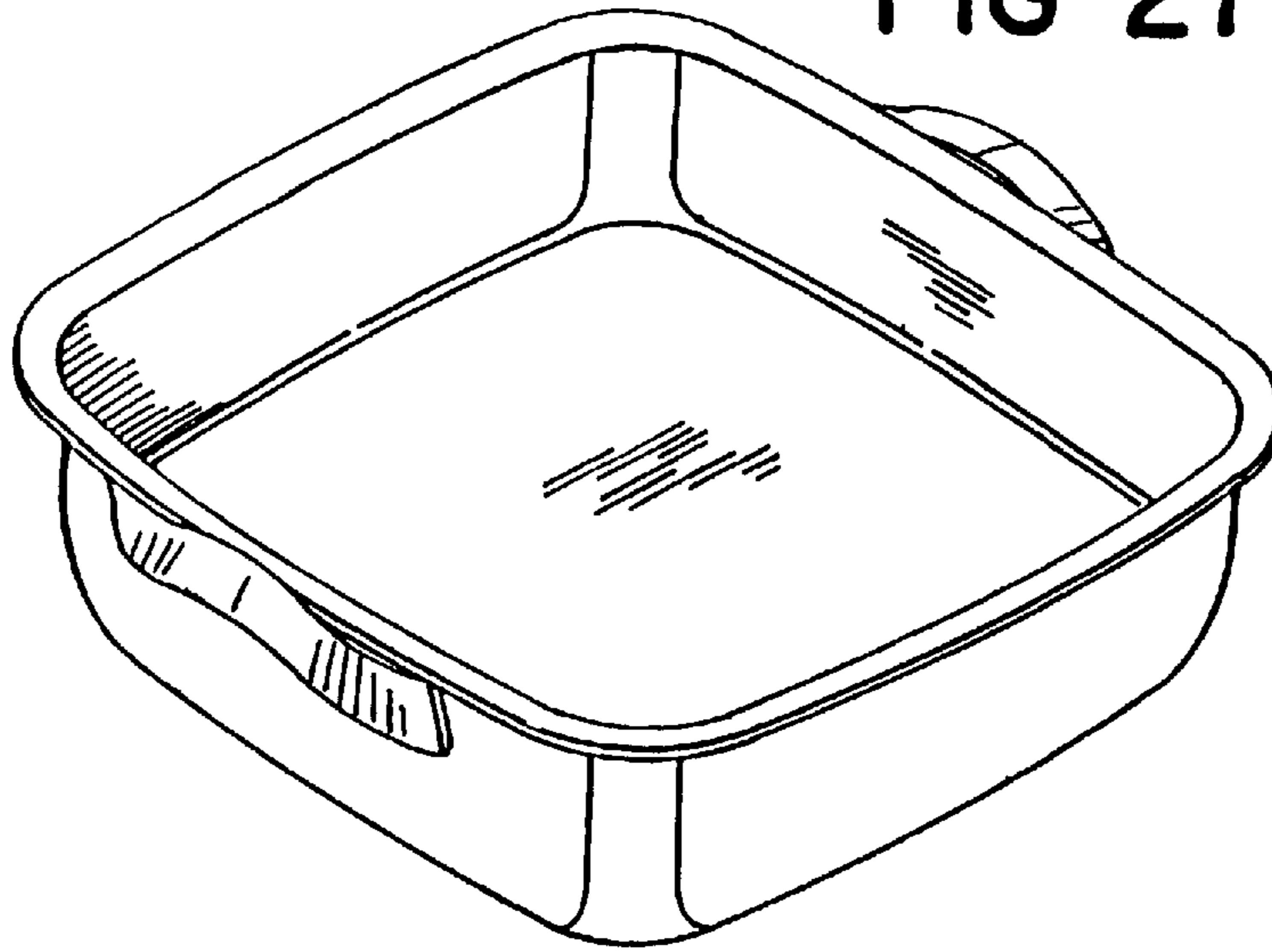


FIG-28

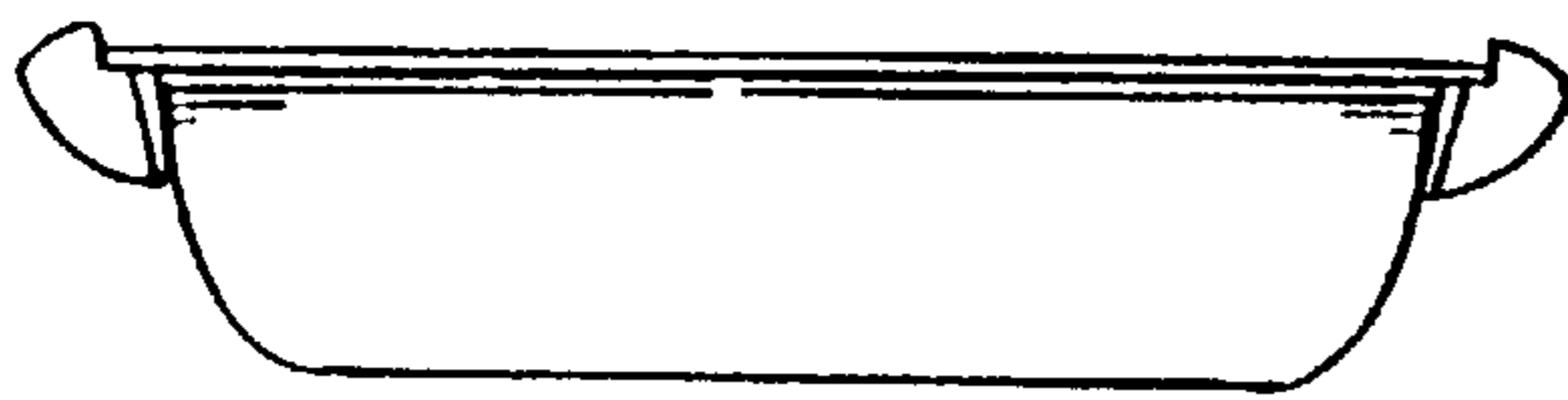


FIG-29

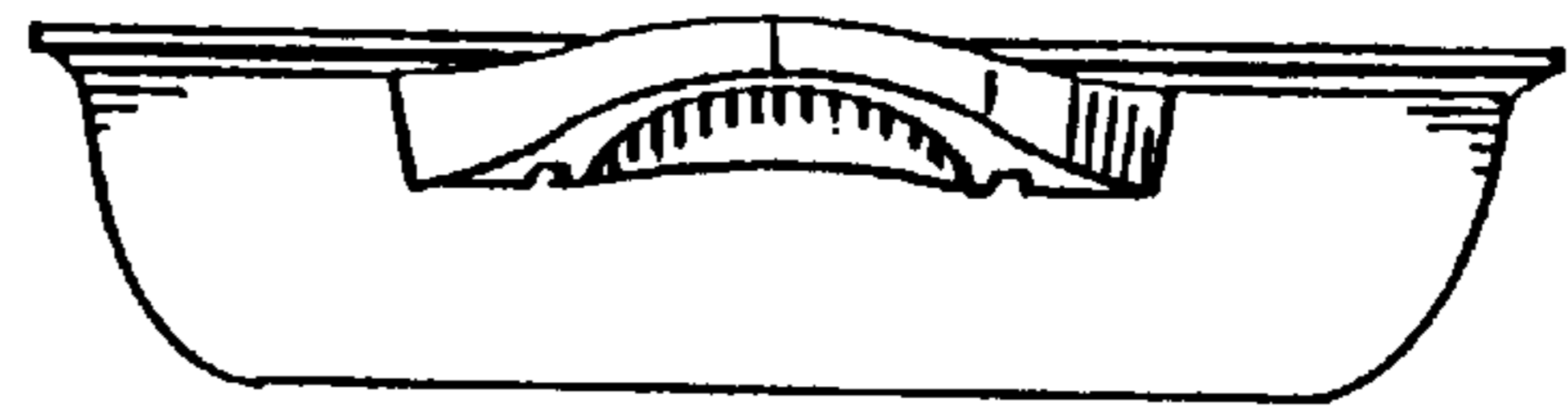


FIG-30

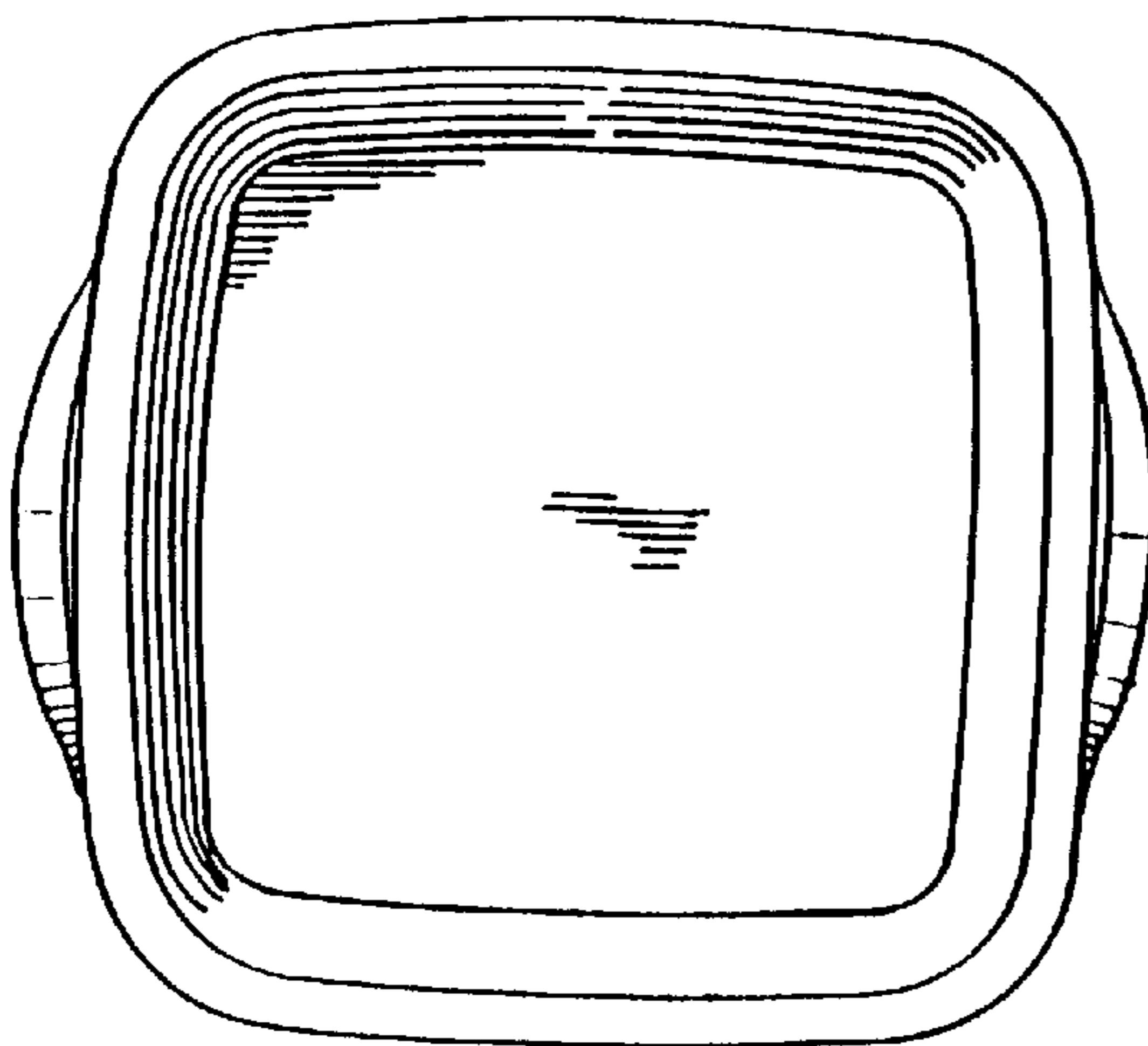
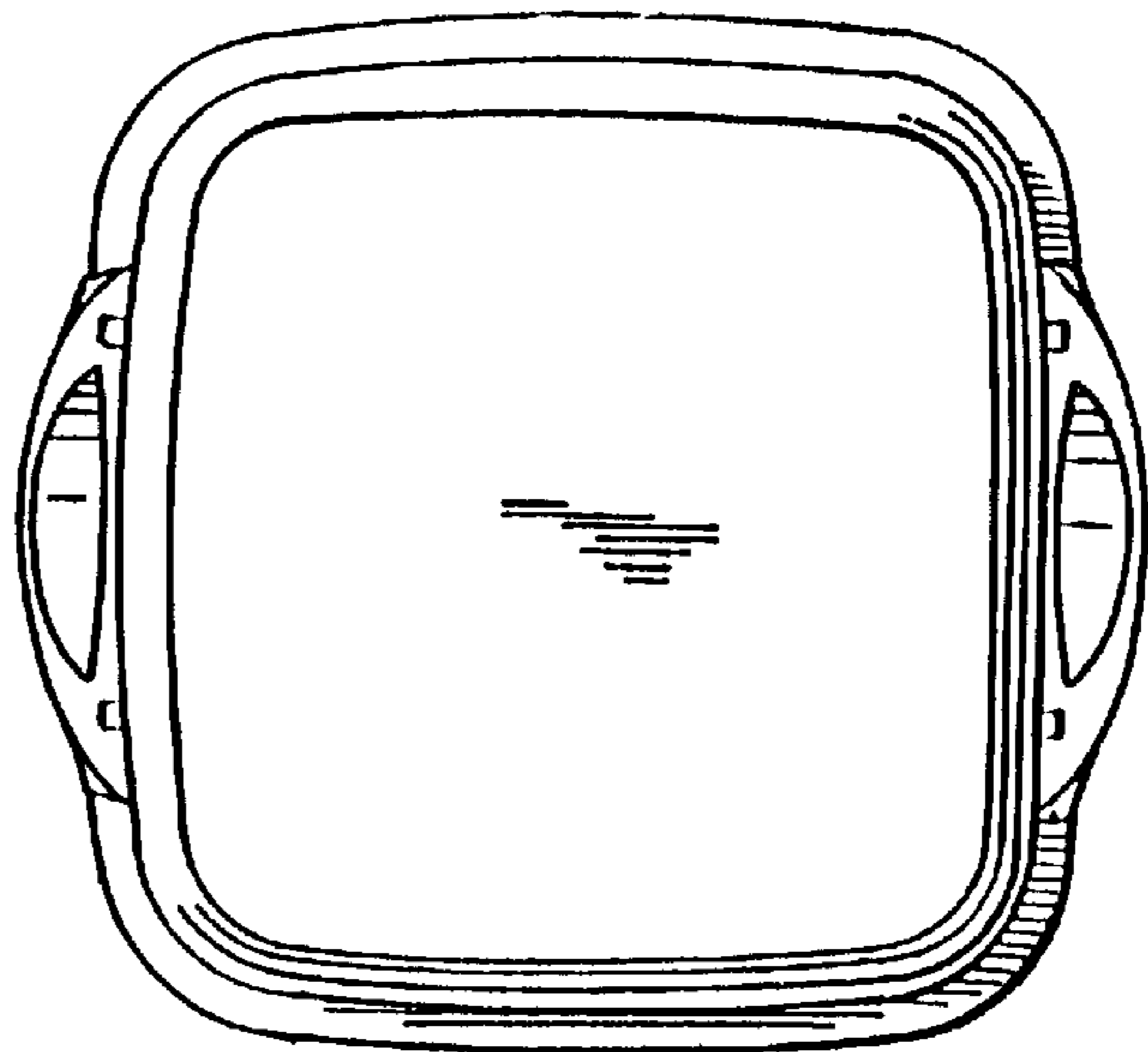


FIG-31



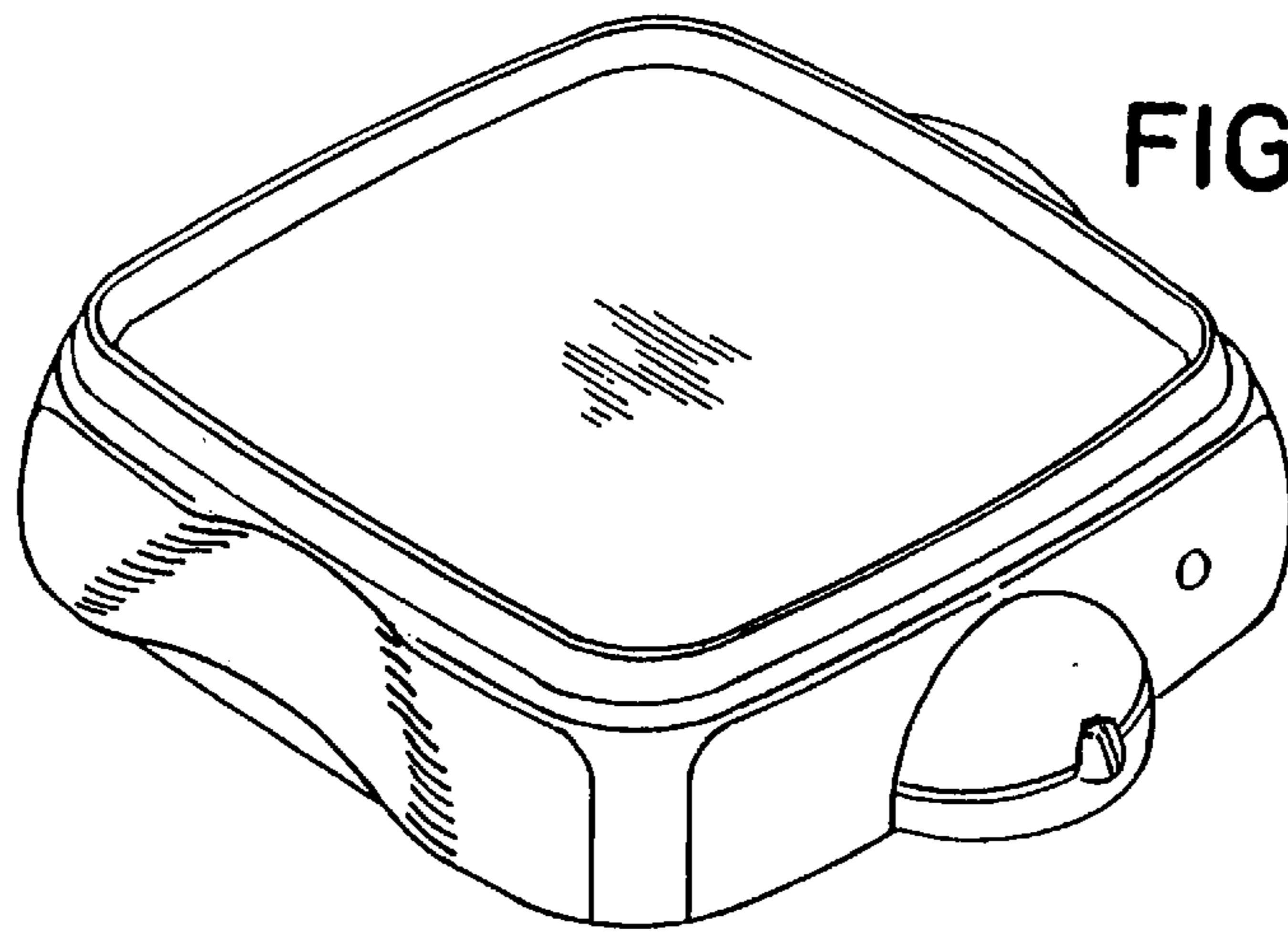


FIG-32

FIG-33

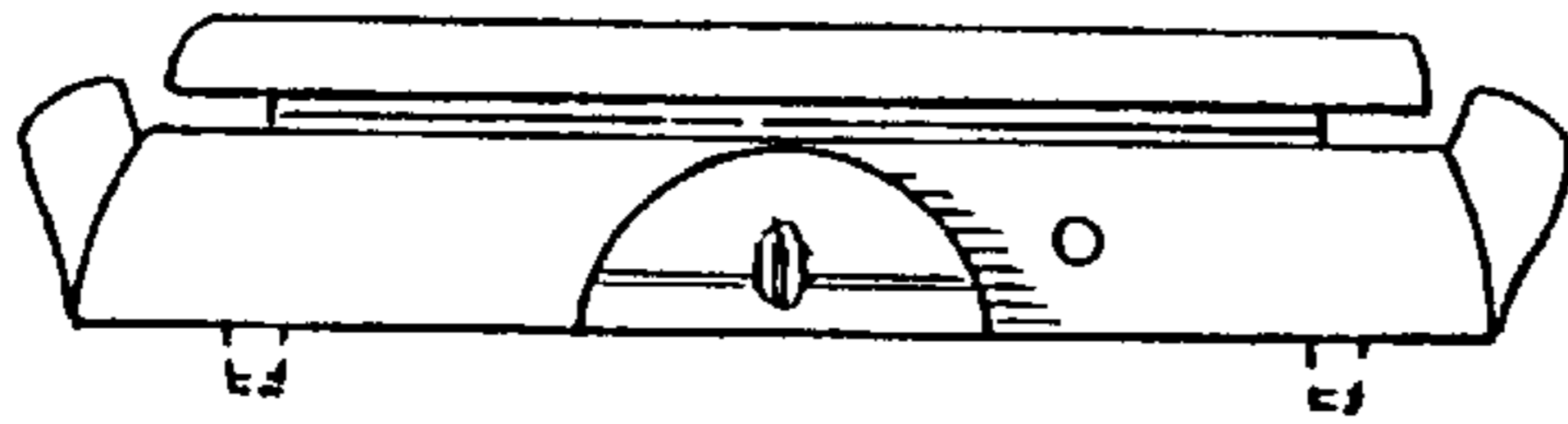


FIG-34

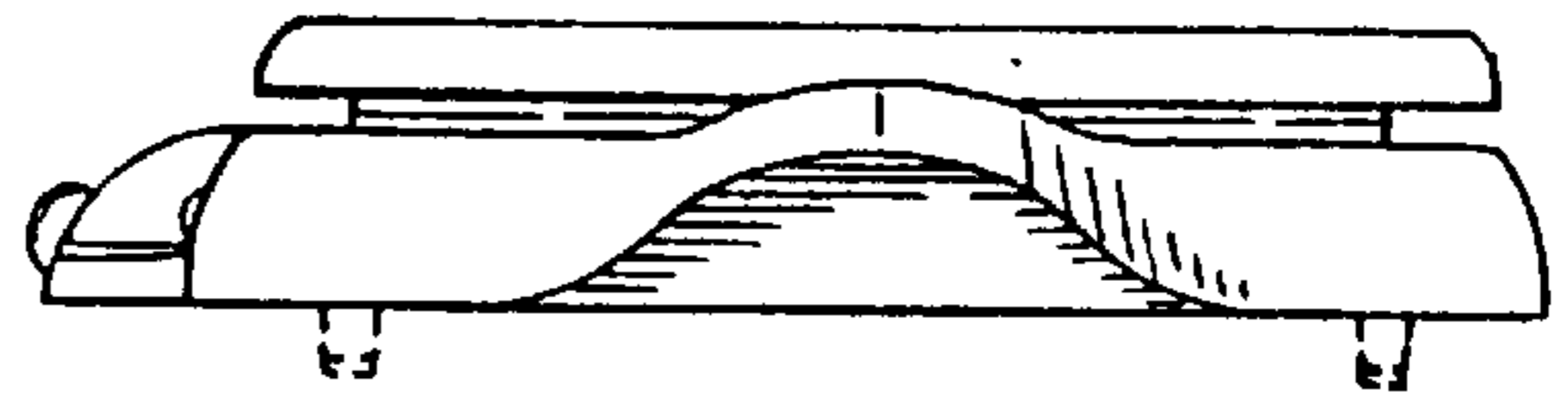


FIG-35

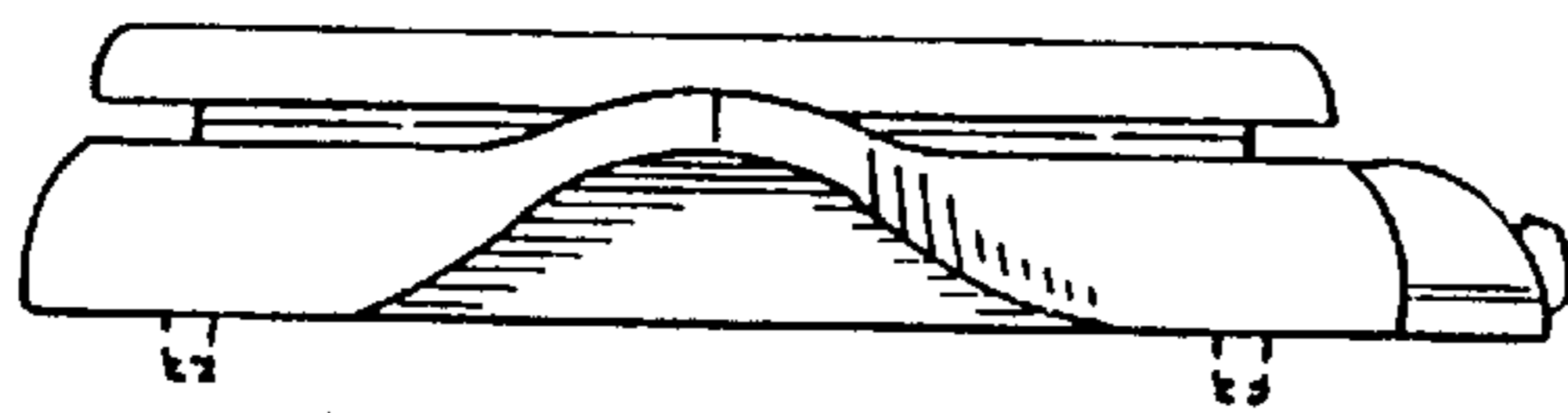


FIG-36

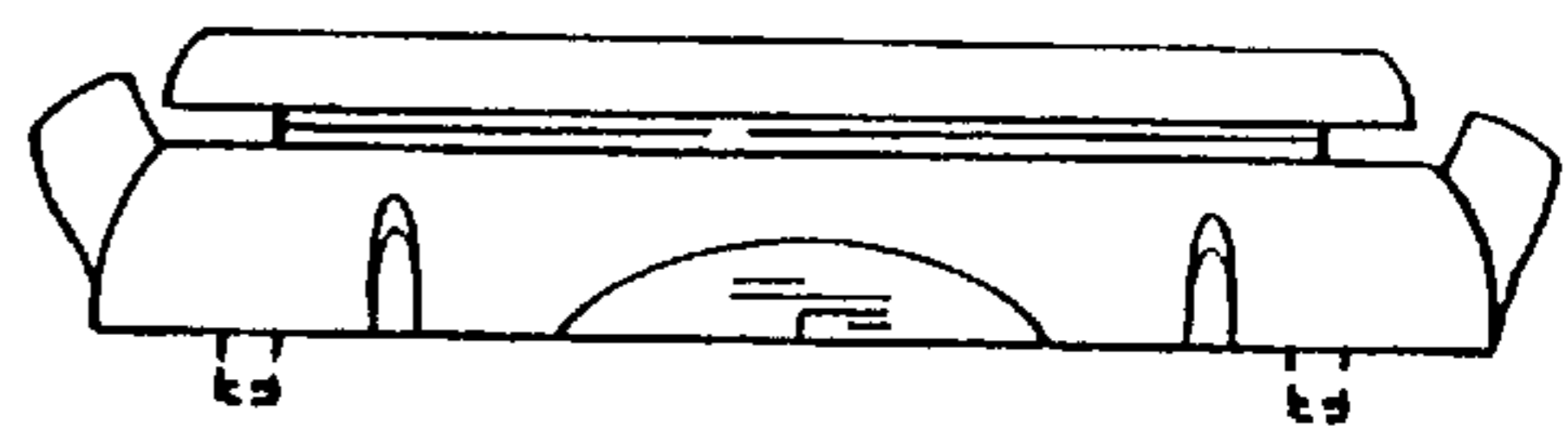


FIG-37

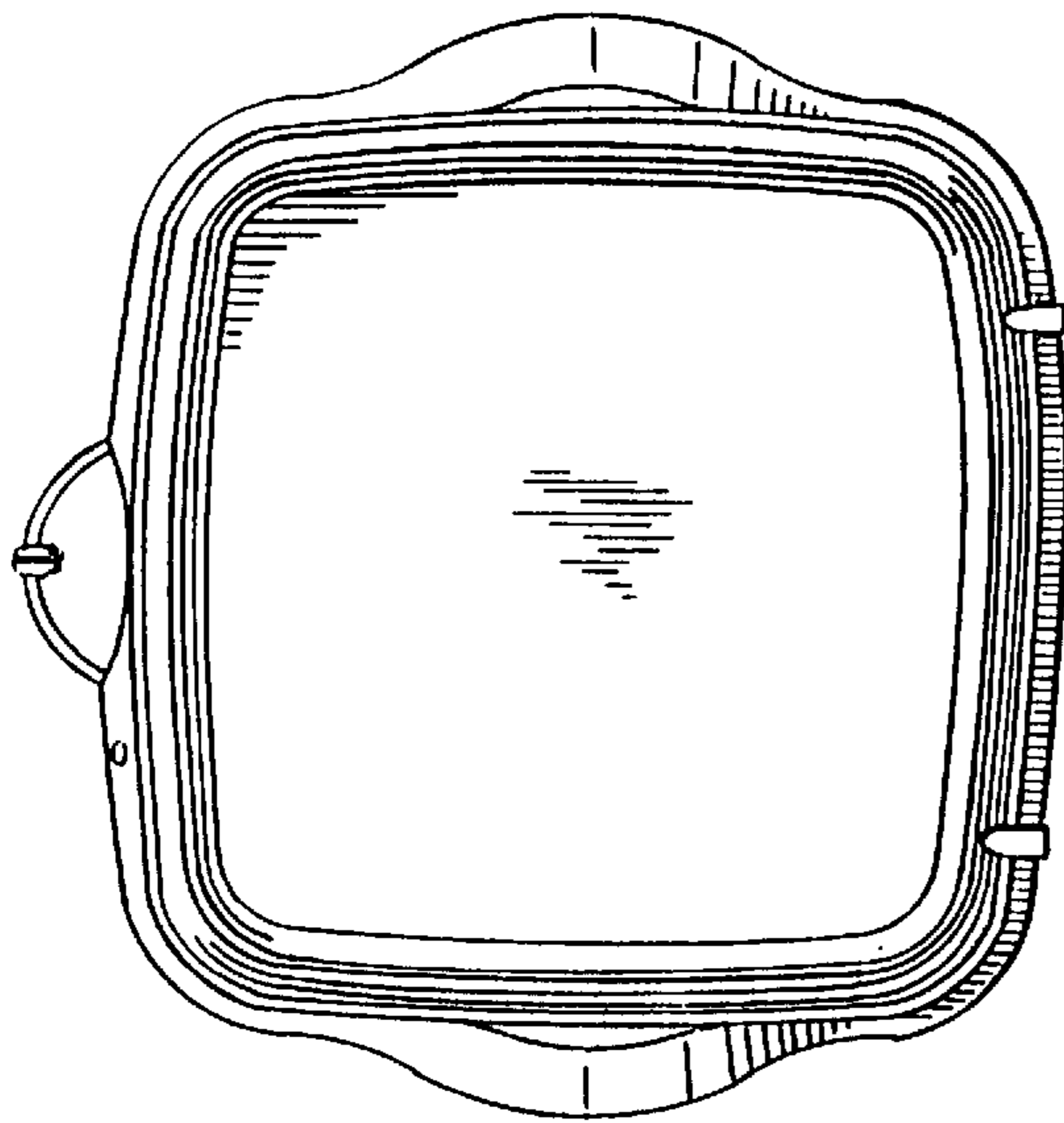
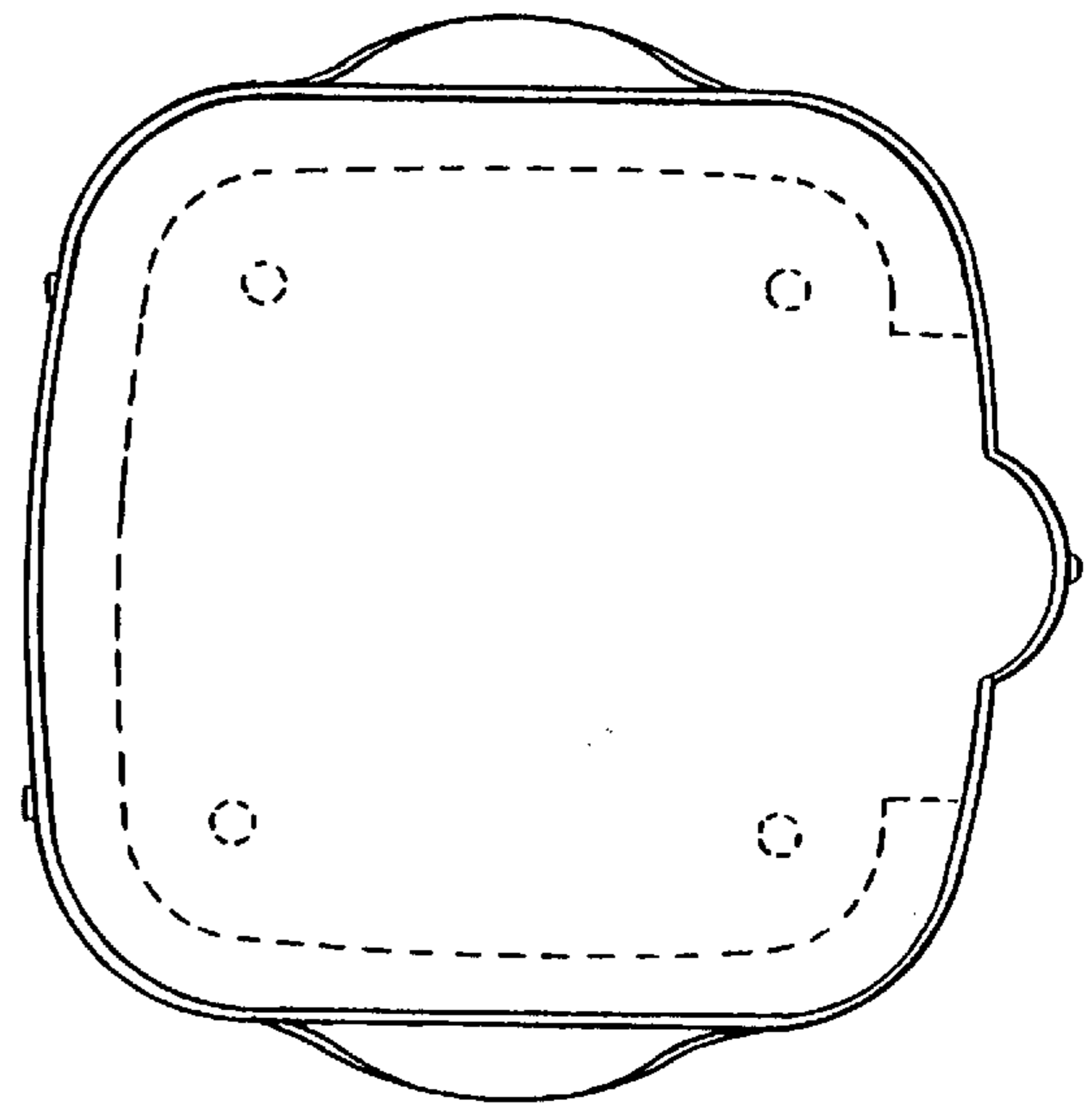


FIG-38



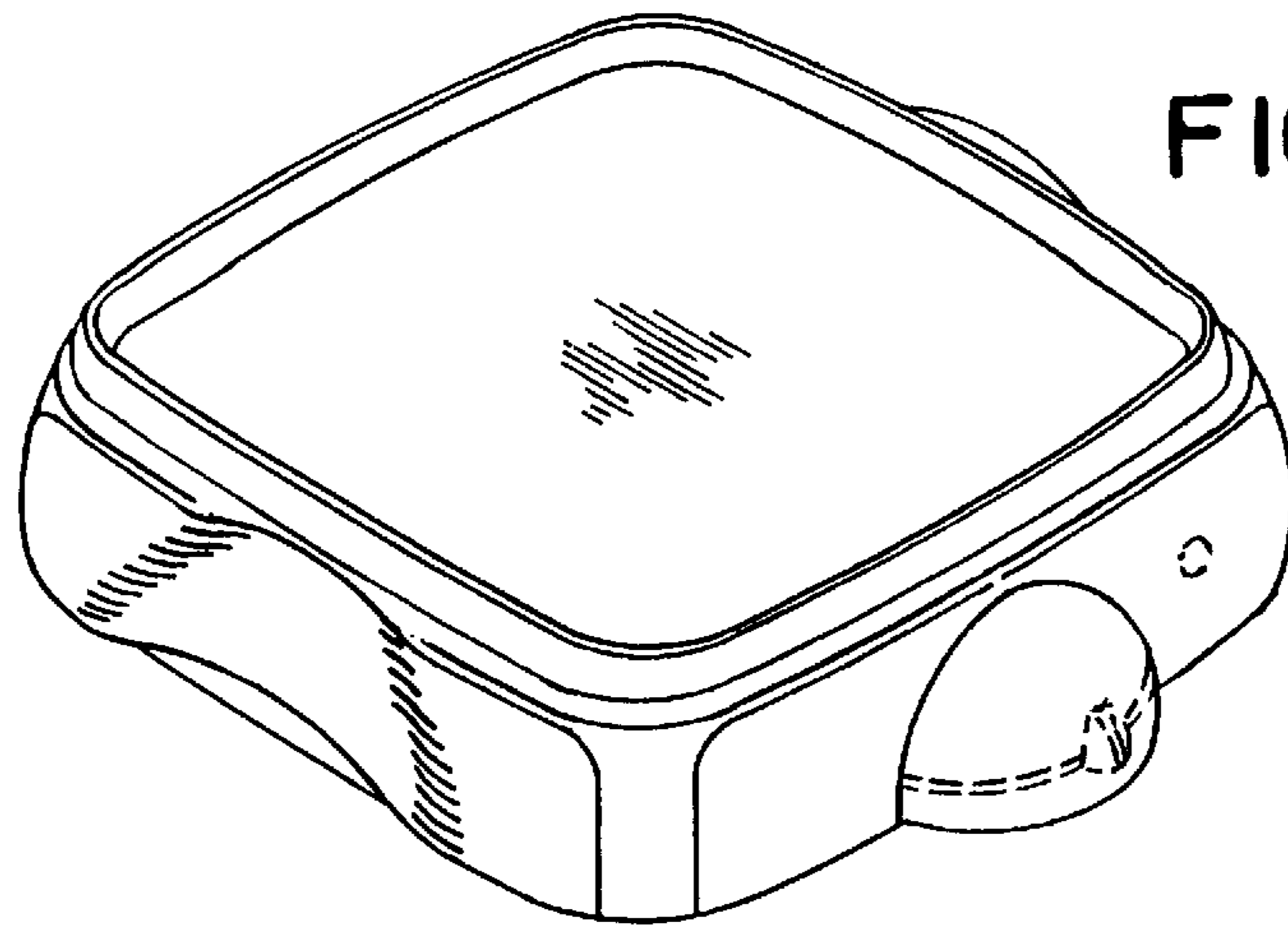


FIG-39

FIG-40

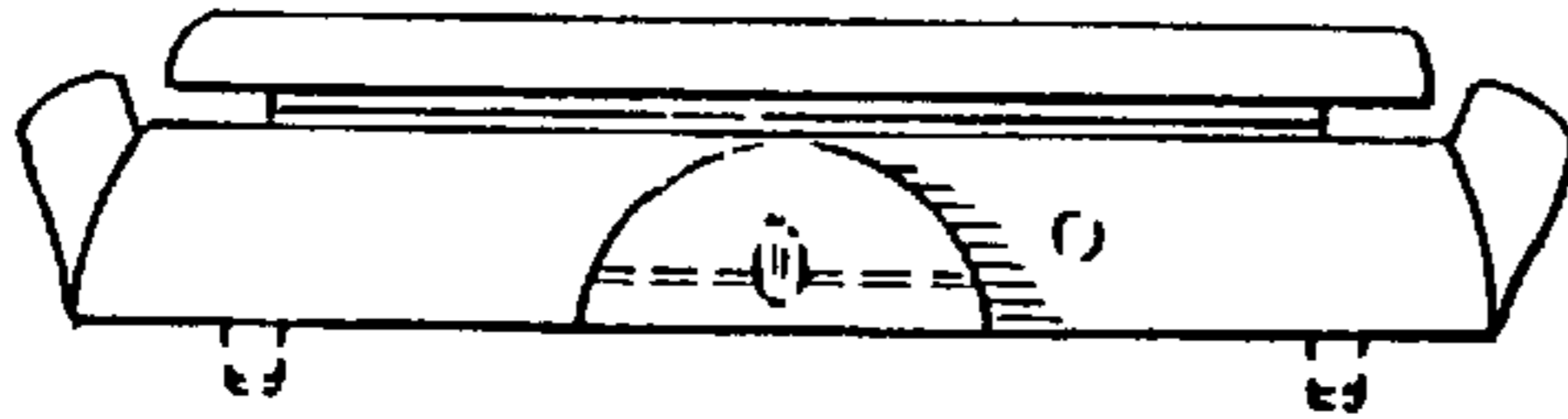


FIG-41

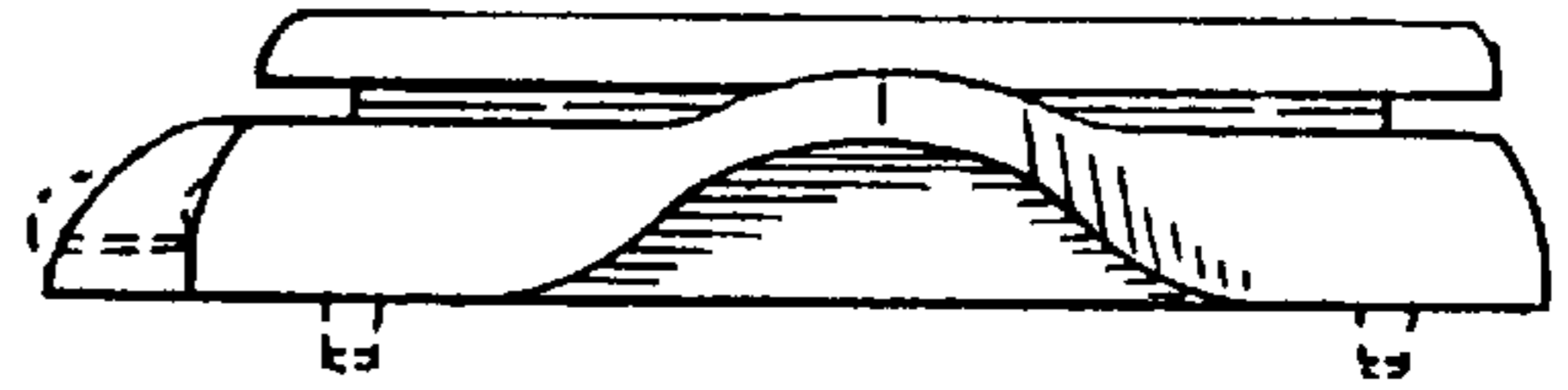


FIG-42

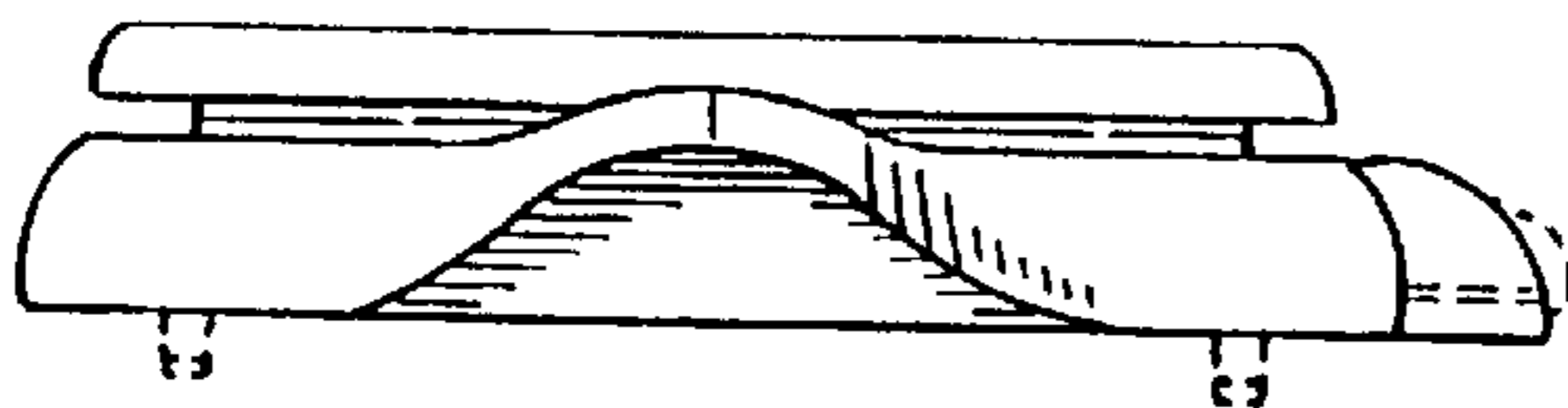


FIG-43

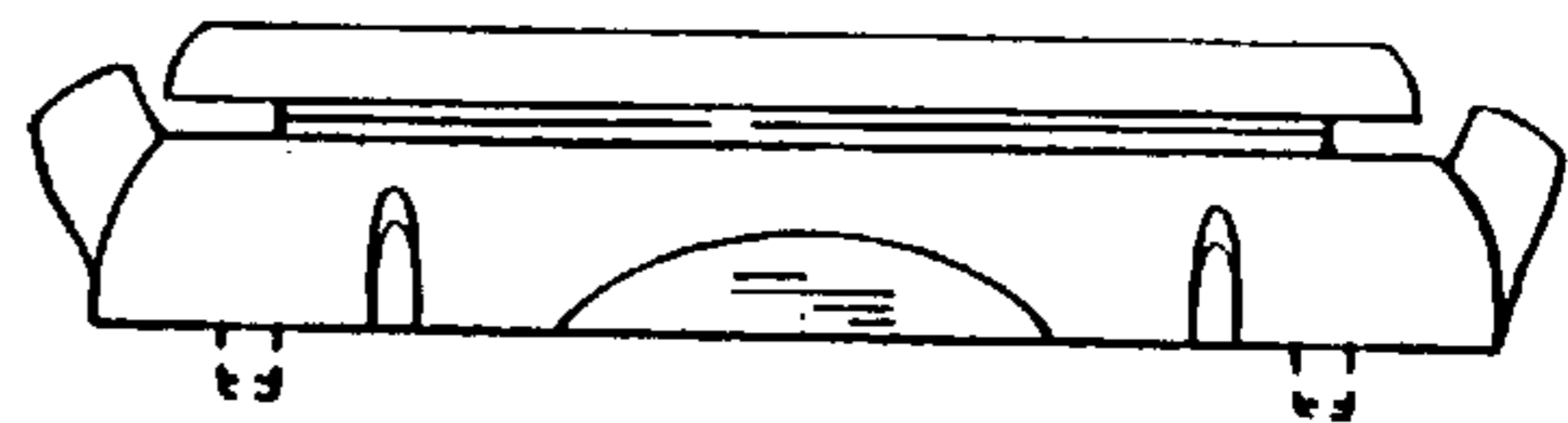


FIG-44

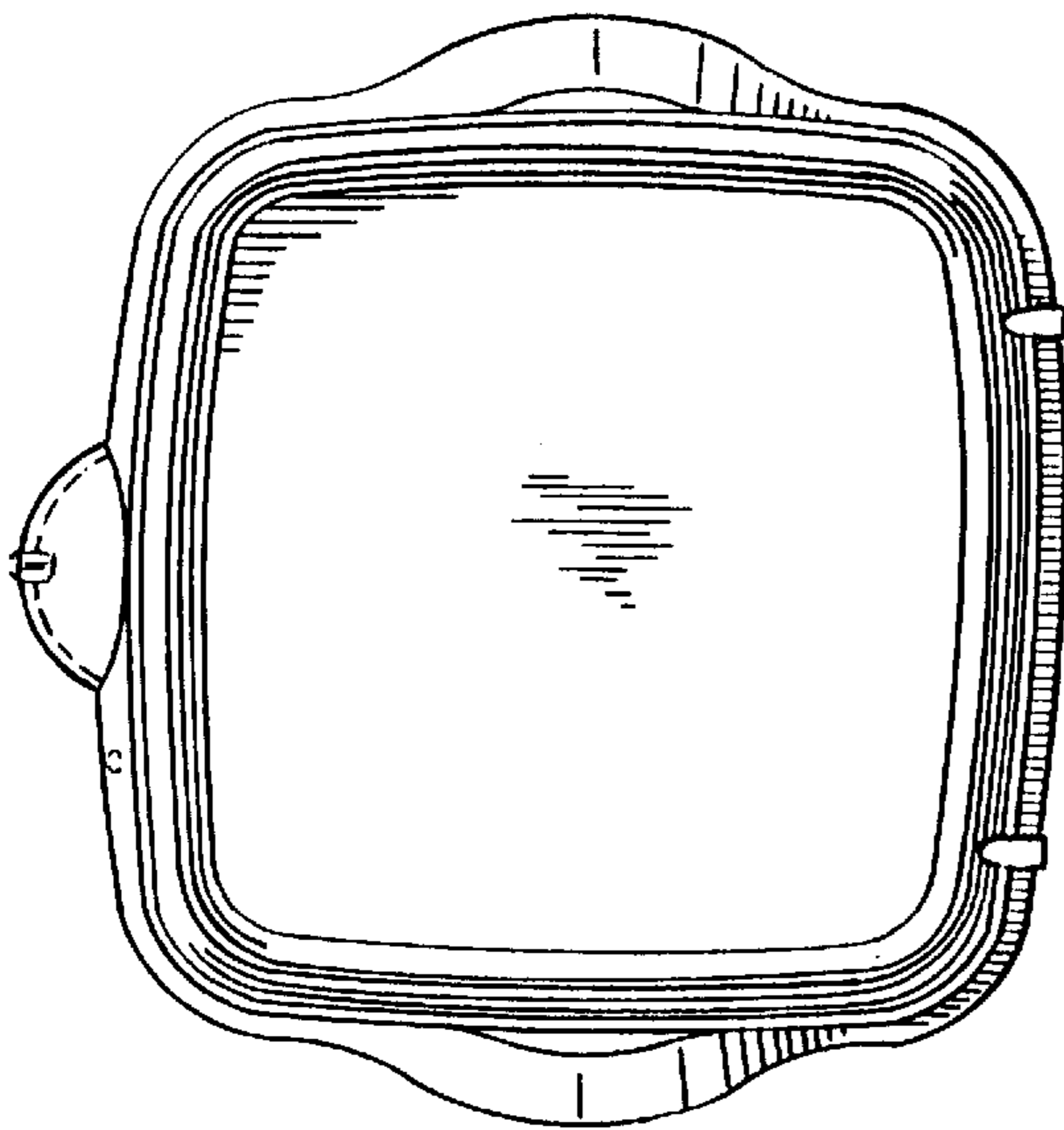


FIG-45

