



US00D430453S

United States Patent [19]
Lin

[11] **Patent Number: Des. 430,453**

[45] **Date of Patent: ** Sep. 5, 2000**

[54] **HEAT PLATE**

D. 424,365 5/2000 To D7/352

[75] Inventor: **Yu-Yuan Lin**, Tainan, Taiwan

Primary Examiner—Caron D. Veynar
Attorney, Agent, or Firm—Bacon & Thomas, PLLC

[73] Assignee: **Uni-Splendor Corp.**, Tainan, Taiwan

[**] Term: **14 Years**

[57] **CLAIM**

The ornamental design for a heat plate, as shown and described.

[21] Appl. No.: **29/118,071**

[22] Filed: **Feb. 3, 2000**

DESCRIPTION

[51] **LOC (7) Cl.** **07-02**

[52] **U.S. Cl.** **D7/352**

[58] **Field of Search** D7/323, 328-330,
D7/350, 352, 353, 337; 99/372, 374, 376,
377, 379; 219/524, 525

FIG. 1 is a perspective view of a heat plate showing my new design;

FIG. 2 is a right side elevational view thereof;

FIG. 3 is a top plan view thereof;

FIG. 4 is a front elevational view thereof;

FIG. 5 is a bottom plan view thereof;

FIG. 6 is a left side elevational view thereof; and,

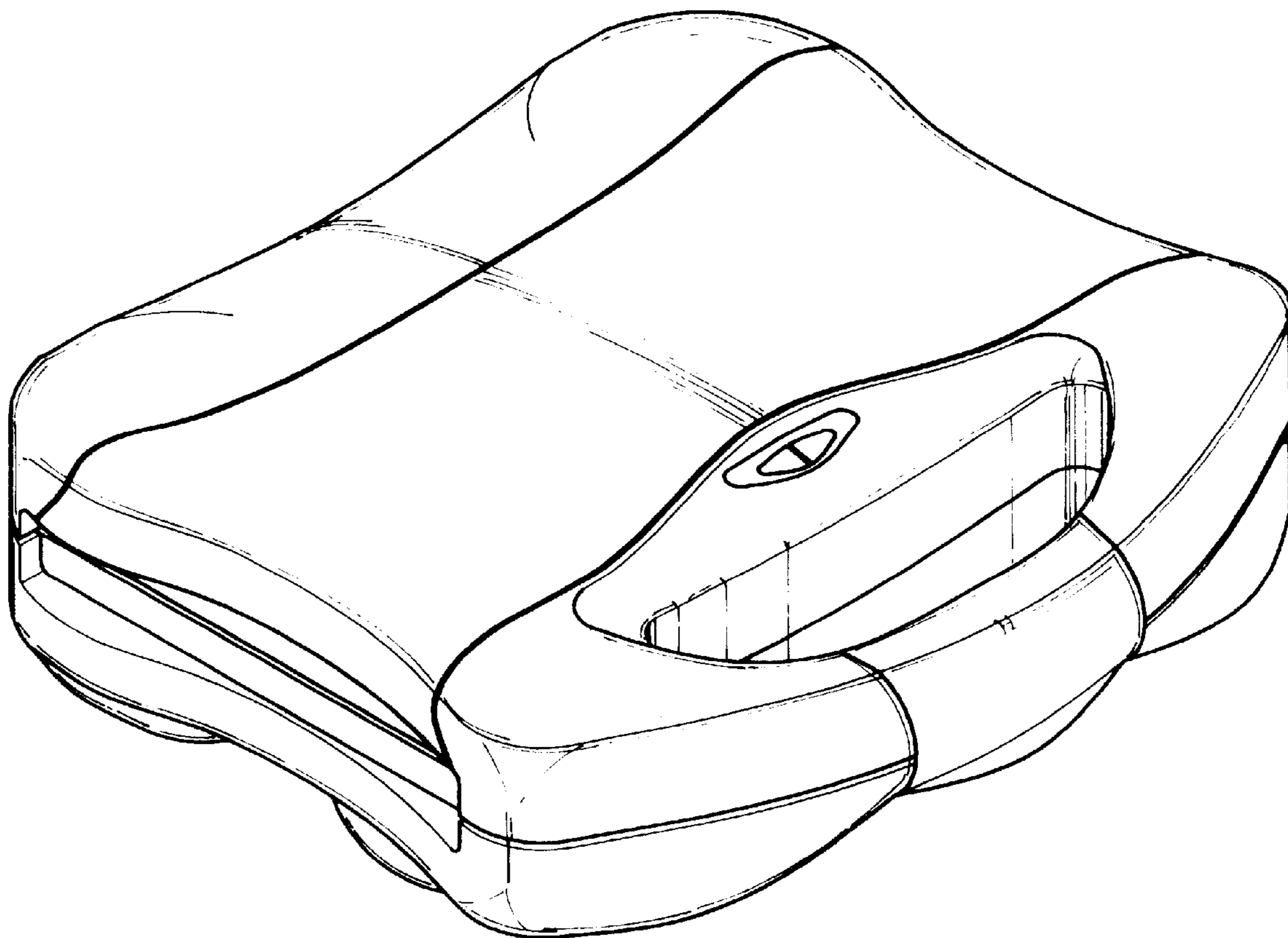
FIG. 7 is a rear elevational view.

[56] **References Cited**

U.S. PATENT DOCUMENTS

D. 405,312 2/1999 Hoare D7/352

1 Claim, 4 Drawing Sheets



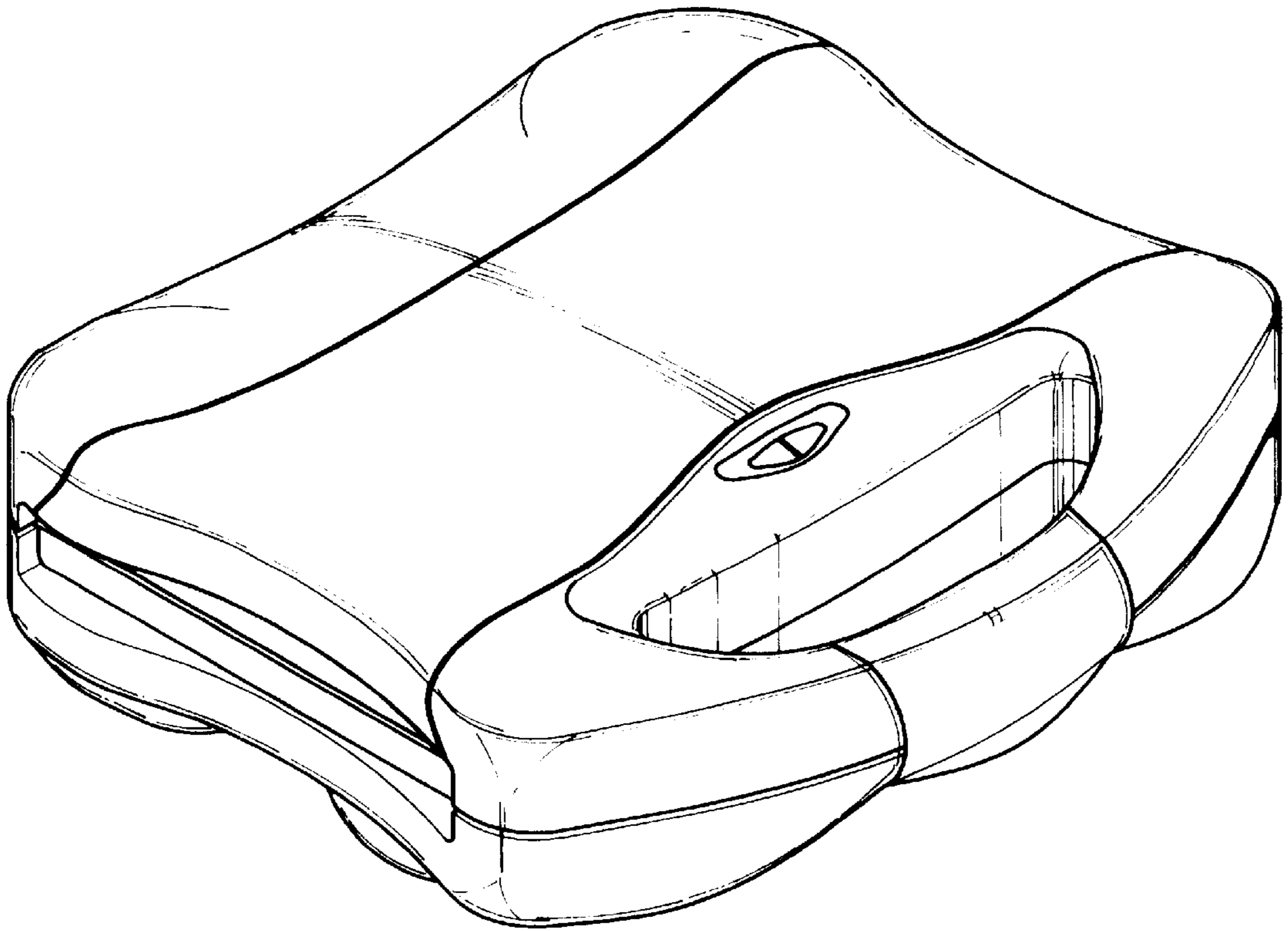


FIG. 1

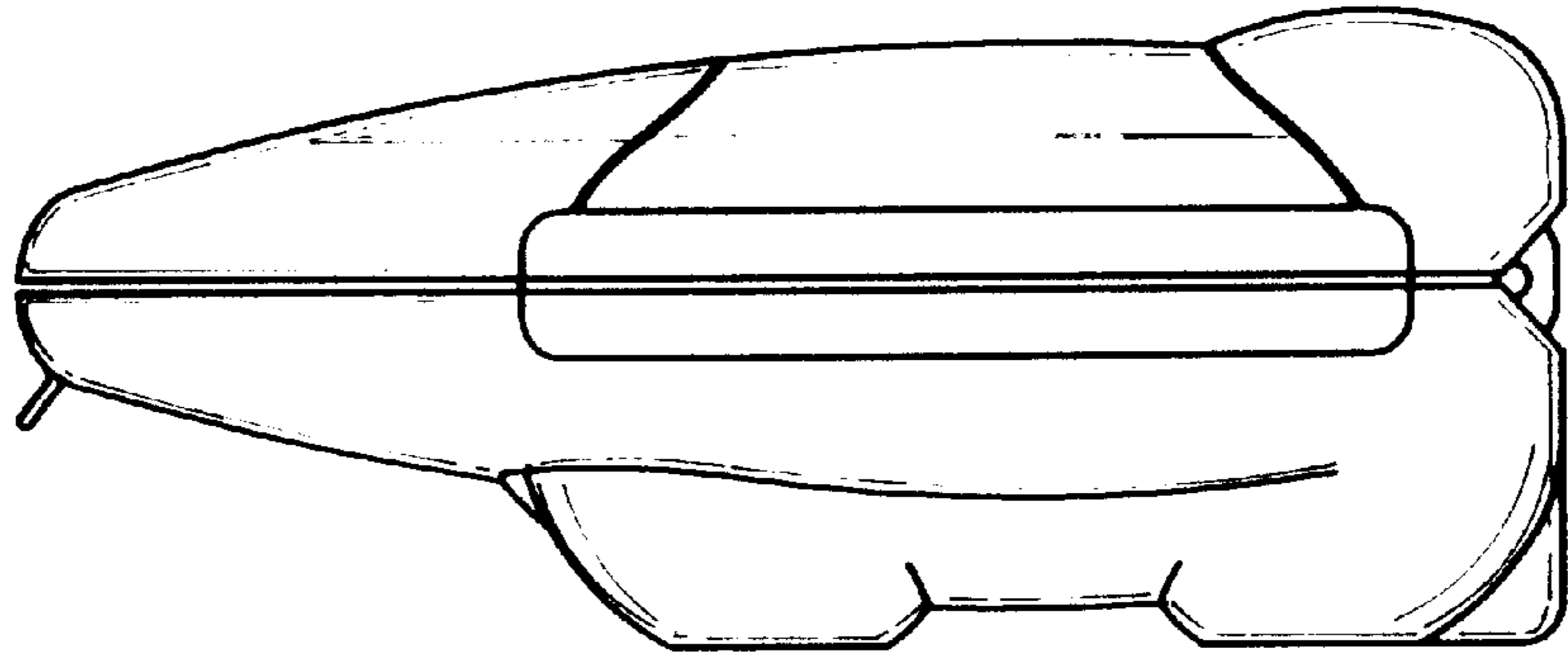


FIG. 2

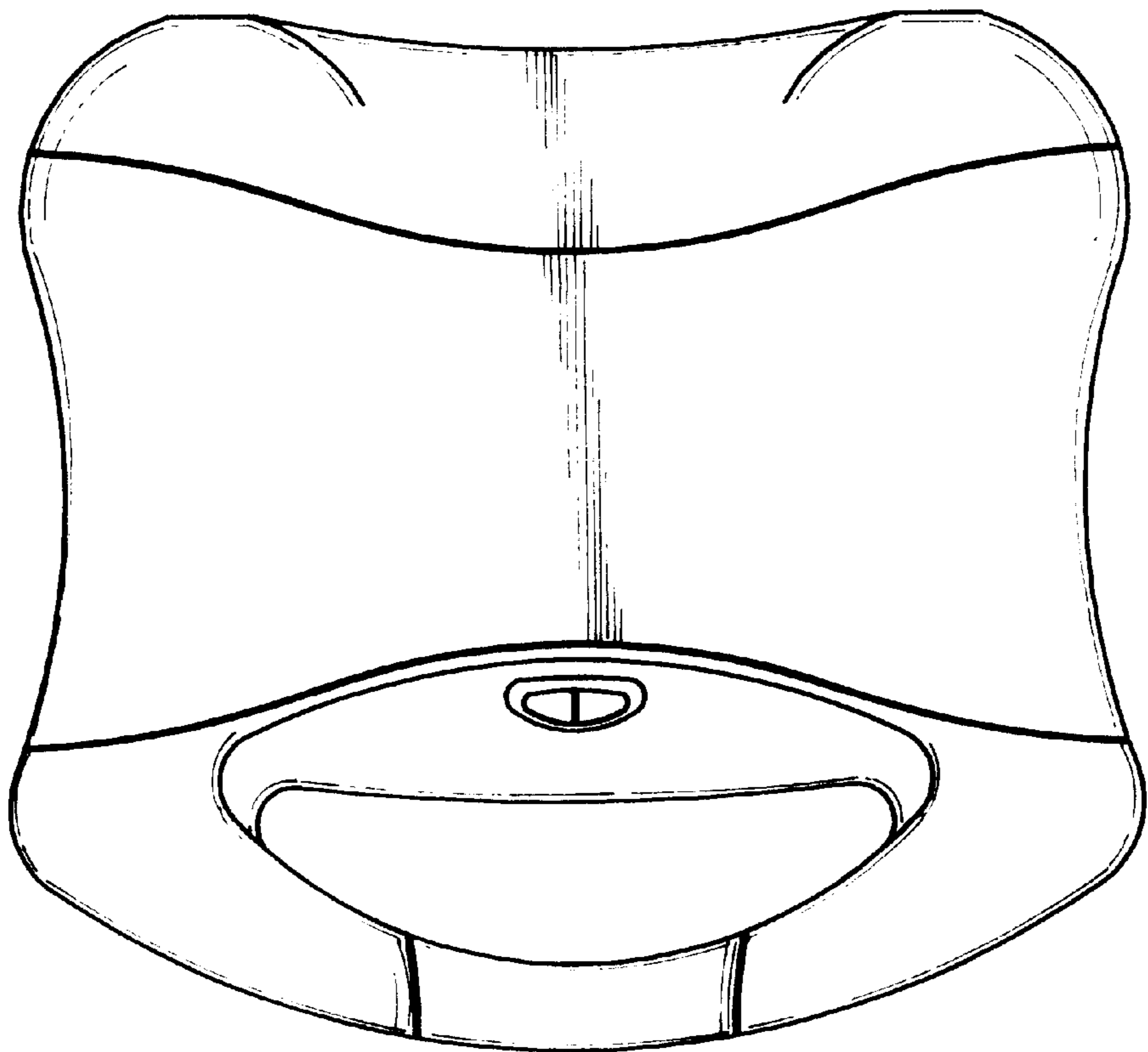


FIG. 3

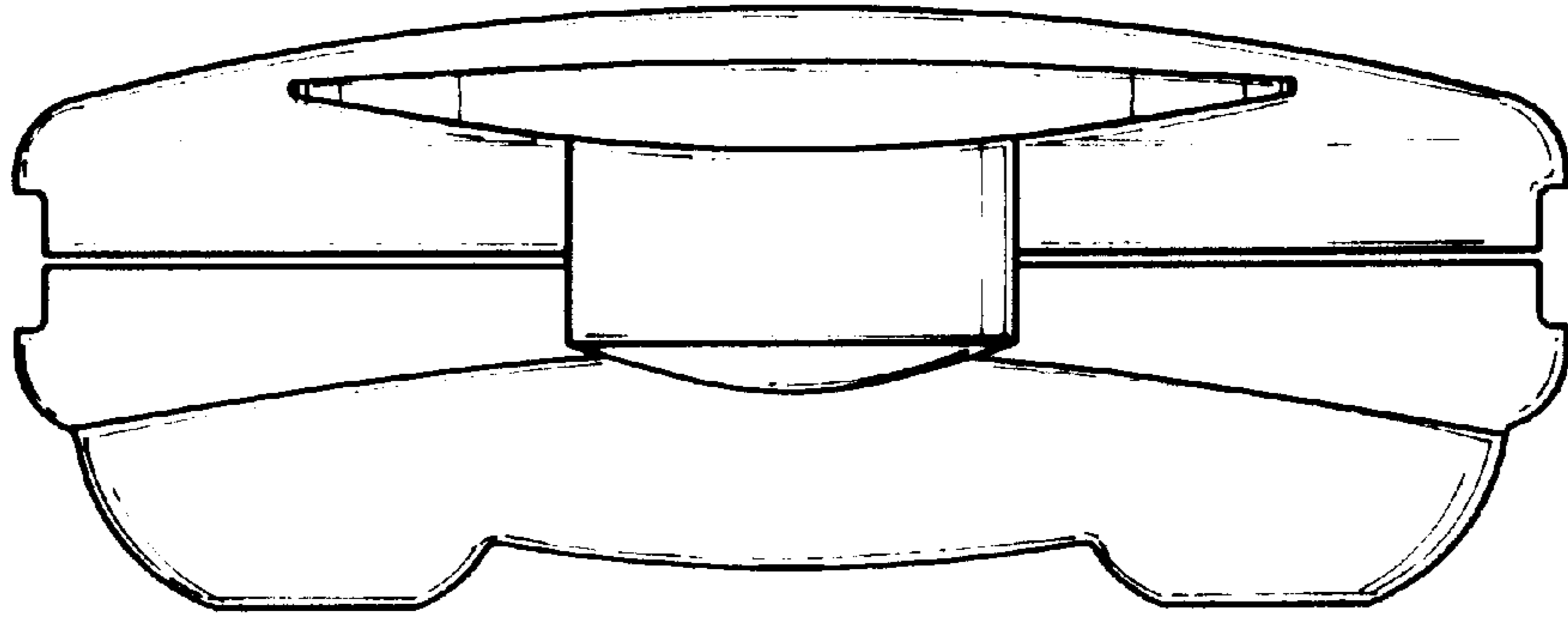


FIG. 4

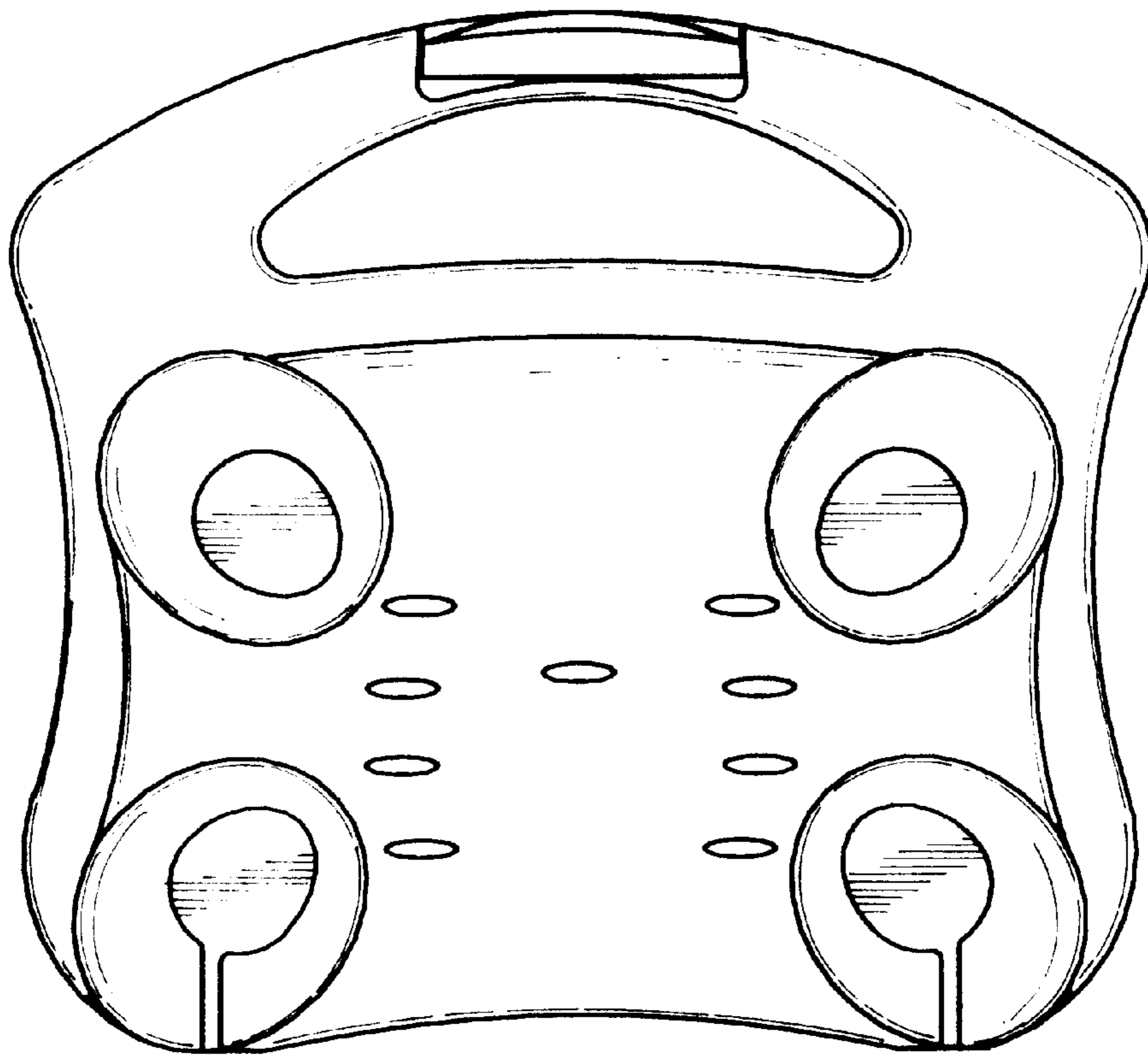


FIG. 5

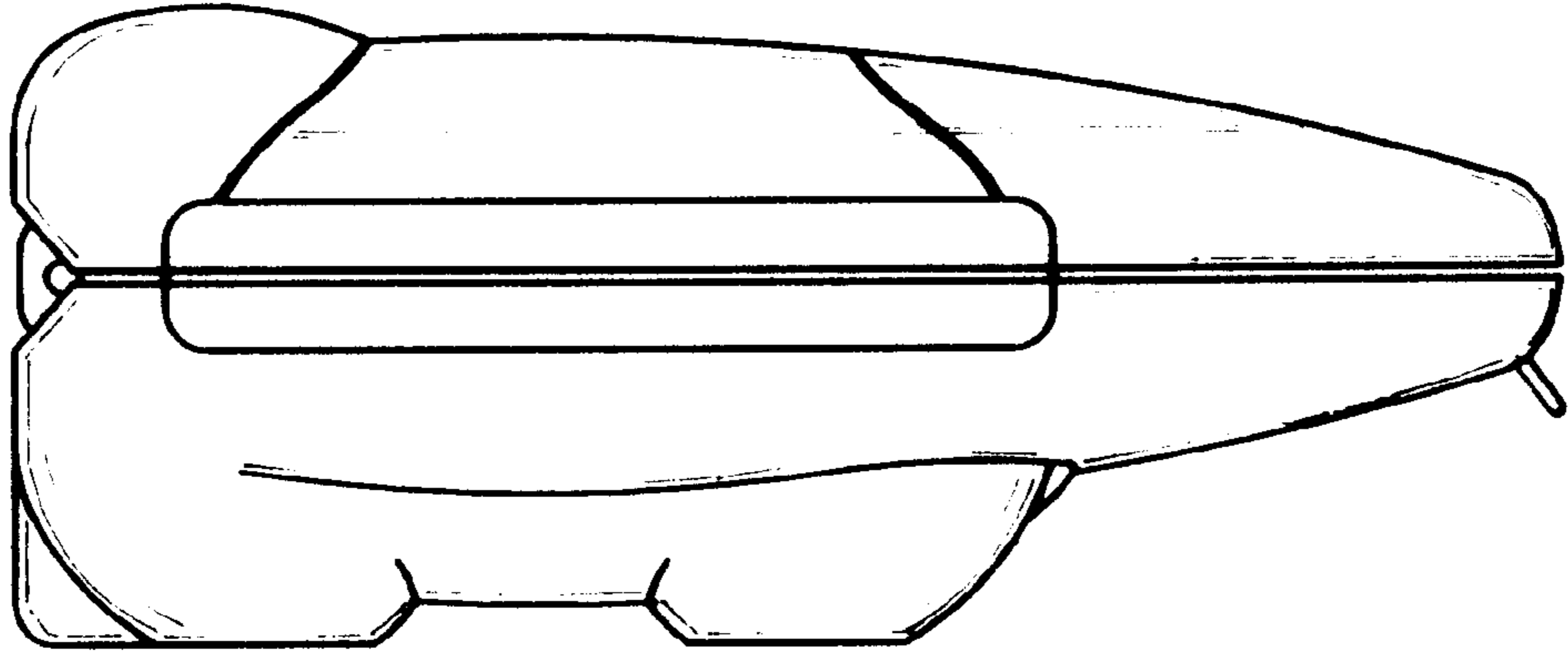


FIG. 6

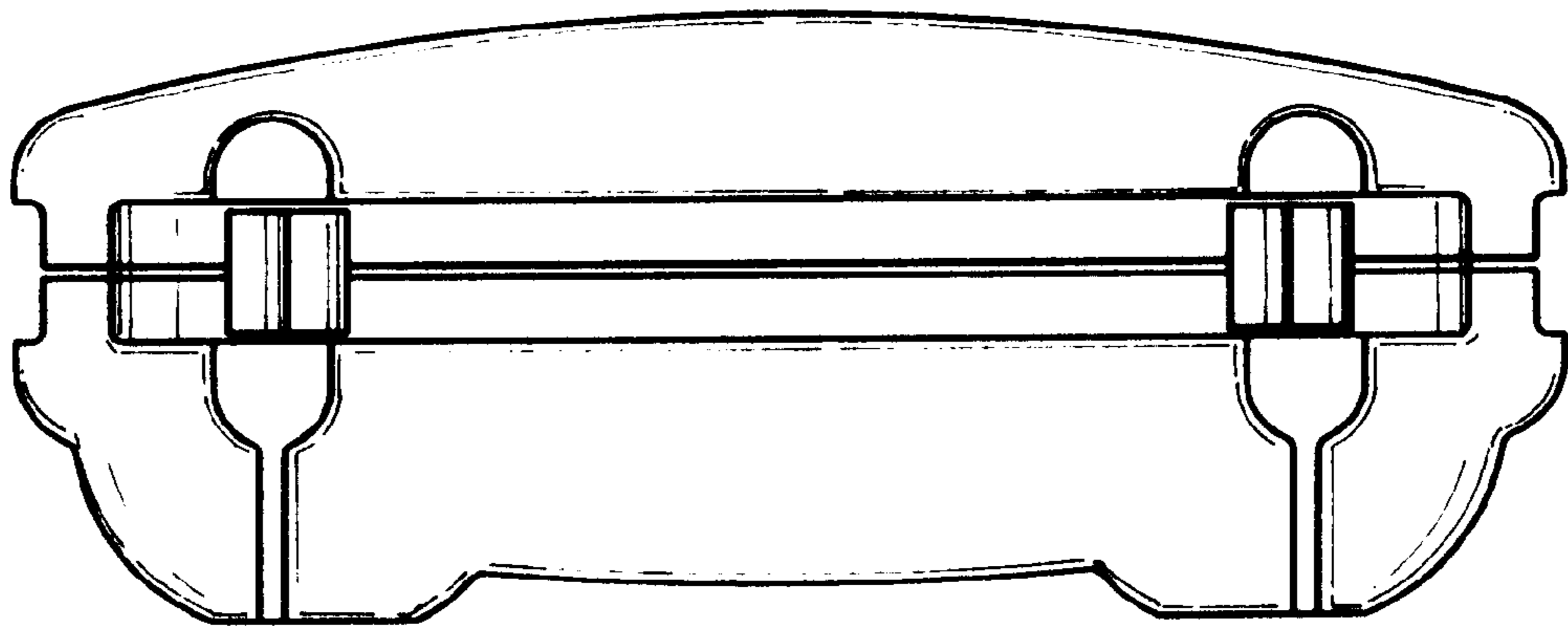


FIG. 7