

US00D430450S

United States Patent [19] Chester

[11] Patent Number: Des. 430,450

[45] Date of Patent: ** Sep. 5, 2000

[54] MOBILE BARBECUE PIT

[76] Inventor: Willie Chester, 1451 Chester Rd.,
White Plains, Ga. 30678

[**] Term: 14 Years

[21] Appl. No.: 29/100,132

[22] Filed: Feb. 5, 1999

[51] LOC (7) Cl. 07-02

[52] U.S. Cl. D7/334

[58] Field of Search D7/331-338, 402-404,
D7/409, 362-365, 367; 99/340, 375, 419,
421 H, 422, 421 R, 424, 443 C-444, 446,
447, 449, 450; 126/25 R, 25 A, 25 AA,
9 R, 38-39 R, 40, 41 R, 50; 426/523; 431/247

[56] References Cited

U.S. PATENT DOCUMENTS

D. 208,179	7/1967	King et al.	D7/334
D. 325,317	4/1992	Ruth .	
D. 406,490	3/1999	Daniels et al.	D7/334
3,971,308	7/1976	Parker	99/467
3,991,666	11/1976	Tidwell et al.	99/446
4,598,690	7/1986	Hsu	126/25 R
4,646,711	3/1987	Oliphant	126/9 R
4,757,756	7/1988	Van Marr	99/482
4,836,179	6/1989	Schlosser et al.	126/25 R
4,878,476	11/1989	Oliphant	126/9 R
4,984,515	1/1991	Pivonka	99/449
5,002,036	3/1991	Kelly	126/25 R
5,065,734	11/1991	Elliot	126/9 R

5,159,917	11/1992	Archer et al.	126/25 R
5,174,197	12/1992	Upton	99/449
5,195,423	3/1993	Beller	99/340
5,333,540	8/1994	Mazzocchi	99/421 H
5,505,190	4/1996	Kalenian	126/41 R
5,588,420	12/1996	Dickson	126/25 R
5,605,142	2/1997	Parker	126/9 B
6,038,964	3/2000	Sikes	99/340

OTHER PUBLICATIONS

Grill Lover's Catalog, p. 39. the classic CB900 Charcoal Grill.

Primary Examiner—Ruth McInroy
Attorney, Agent, or Firm—John D. Gugliotta

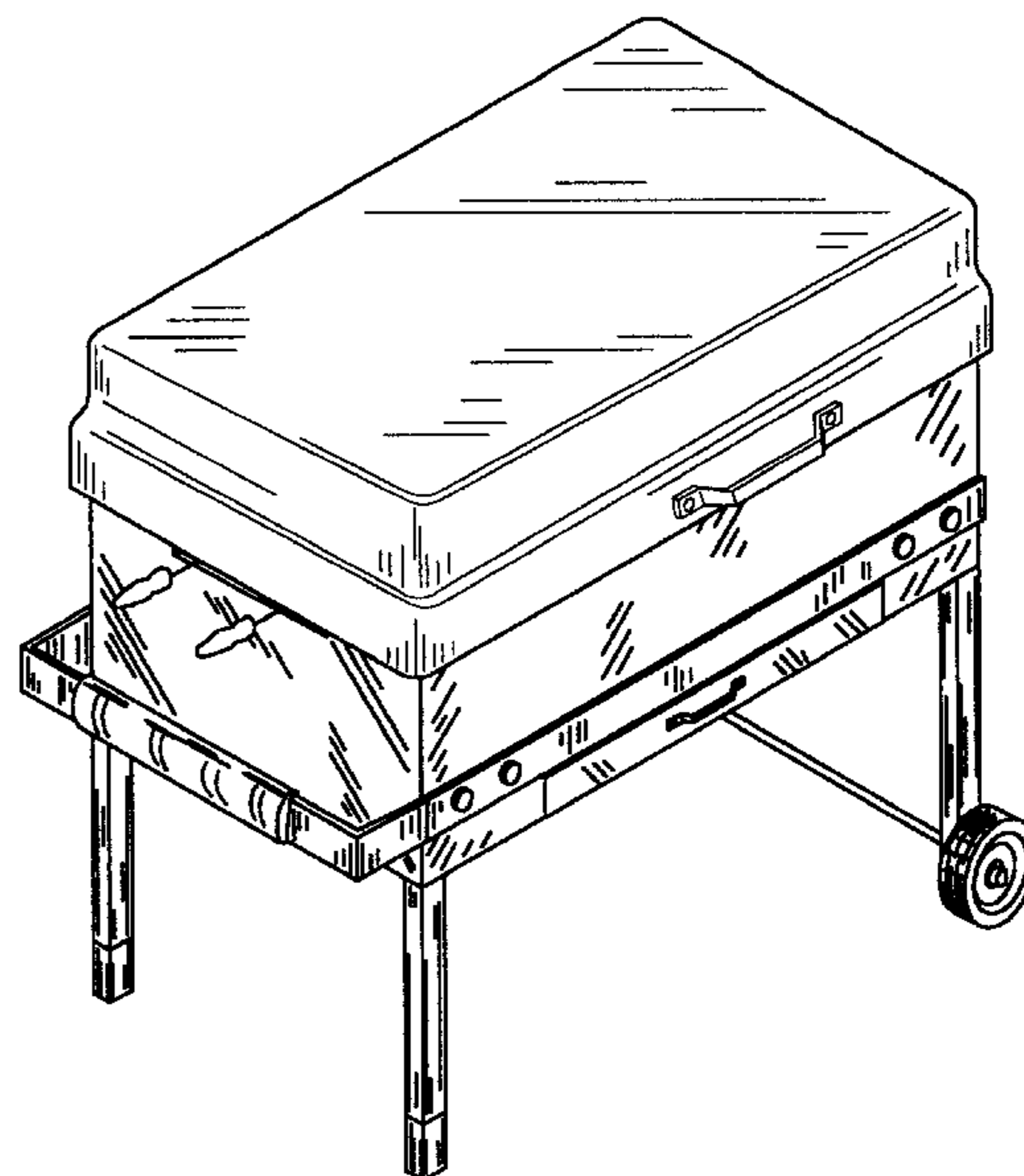
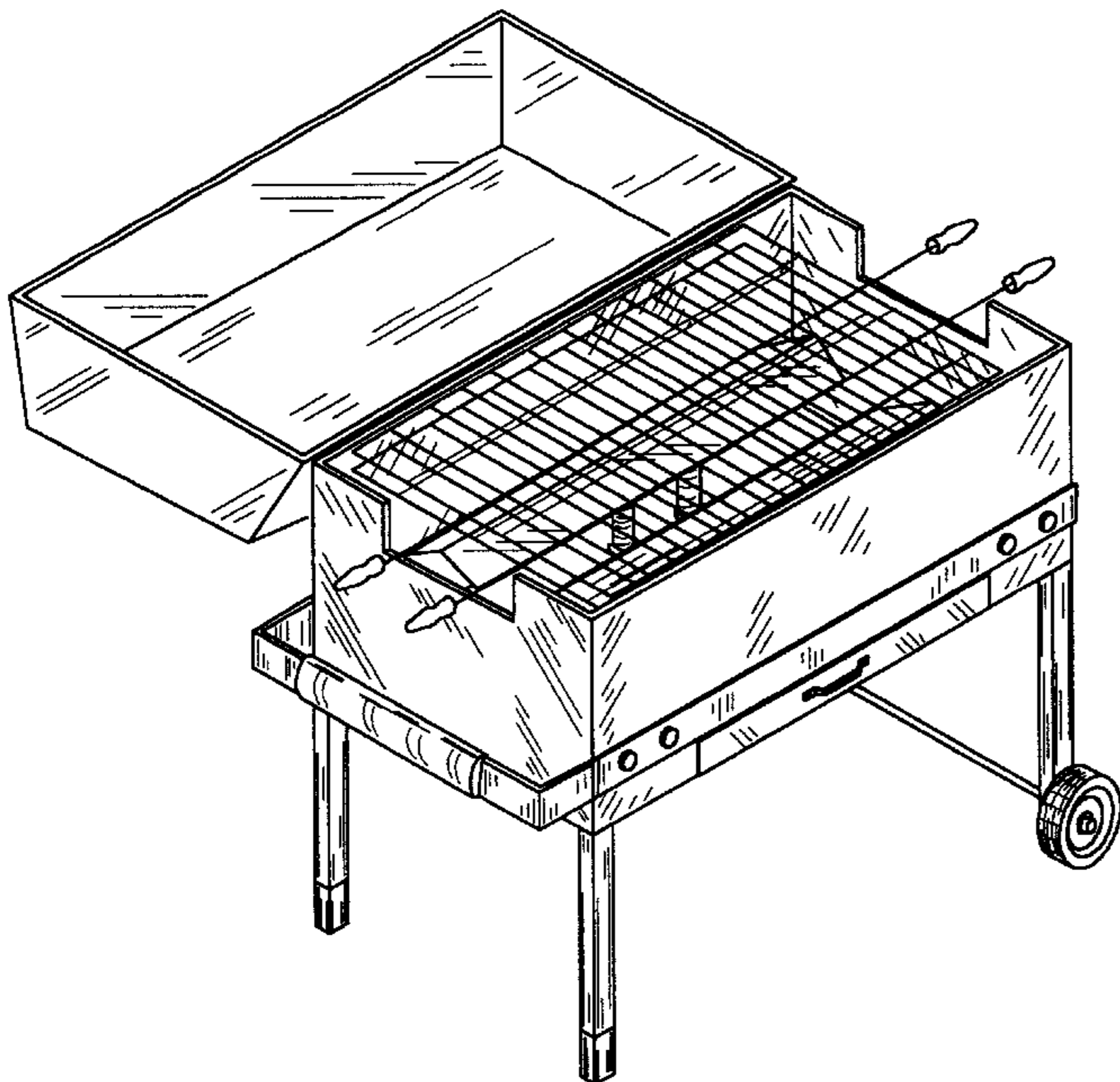
[57] CLAIM

The ornamental design for a mobile barbecue pit, as shown and described.

DESCRIPTION

FIG. 1 is a perspective view of a mobile barbecue pit, in the open position, showing my new design;
FIG. 2 is a perspective view thereof, in the closed position;
FIG. 3 is a reduced top plan view thereof, in the open position;
FIG. 4 is a reduced front view thereof, in the closed position;
FIG. 5 is a reduced right side view thereof, in the closed position;
FIG. 6 is a reduced bottom plan view thereof; and,
FIG. 7 is a reduced rear view thereof, in the closed position.

1 Claim, 4 Drawing Sheets



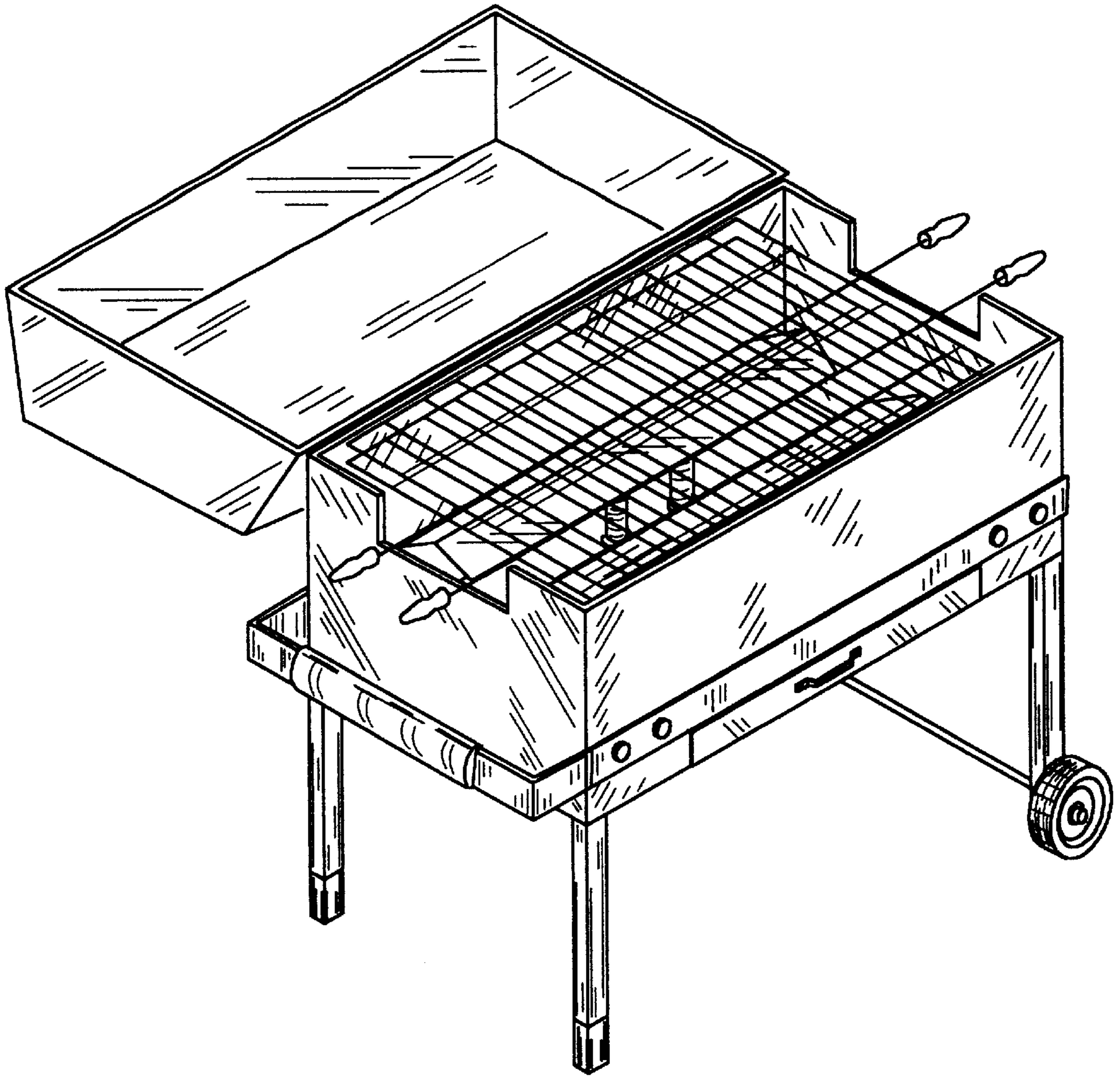


Figure 1

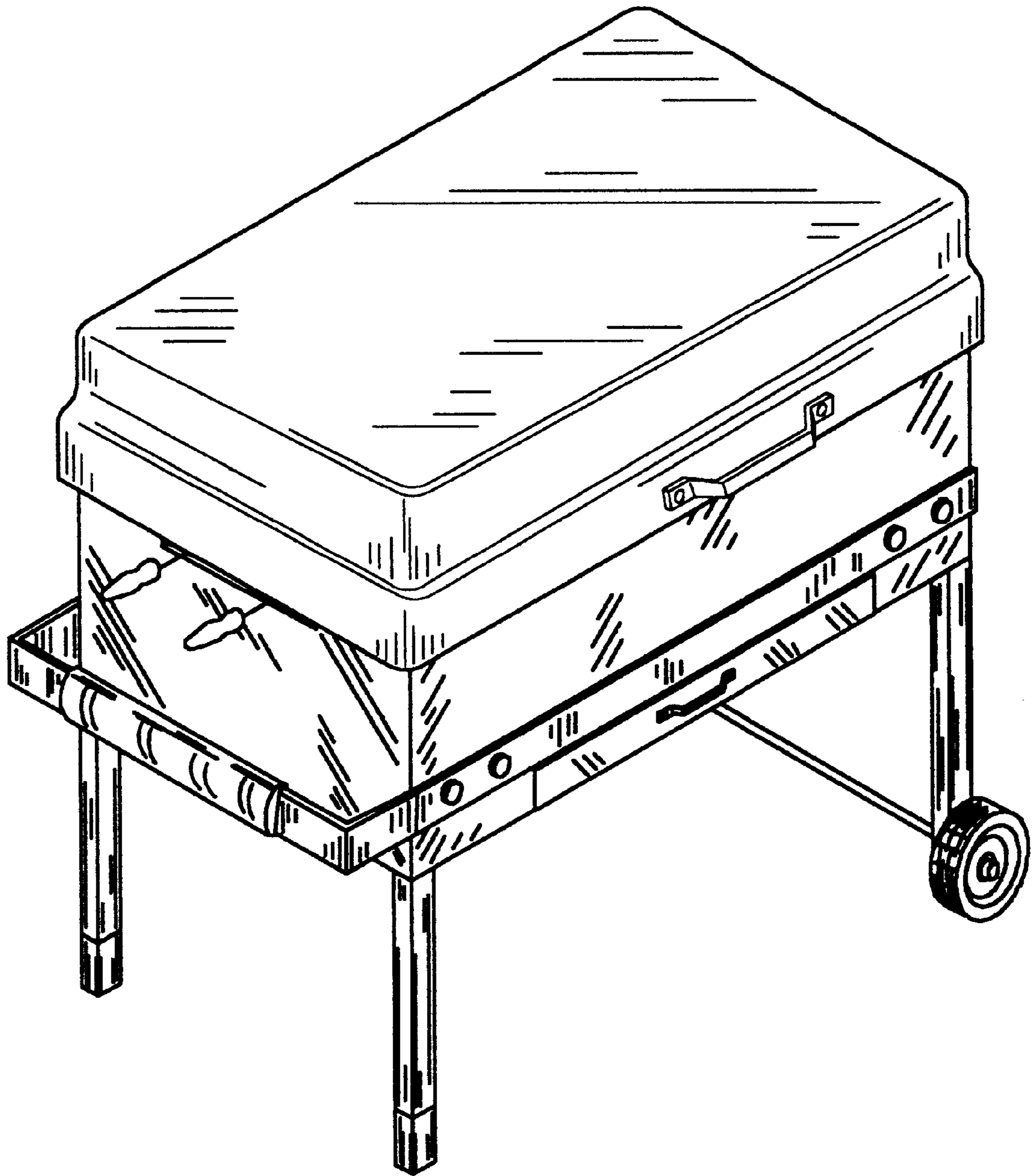


Figure 2

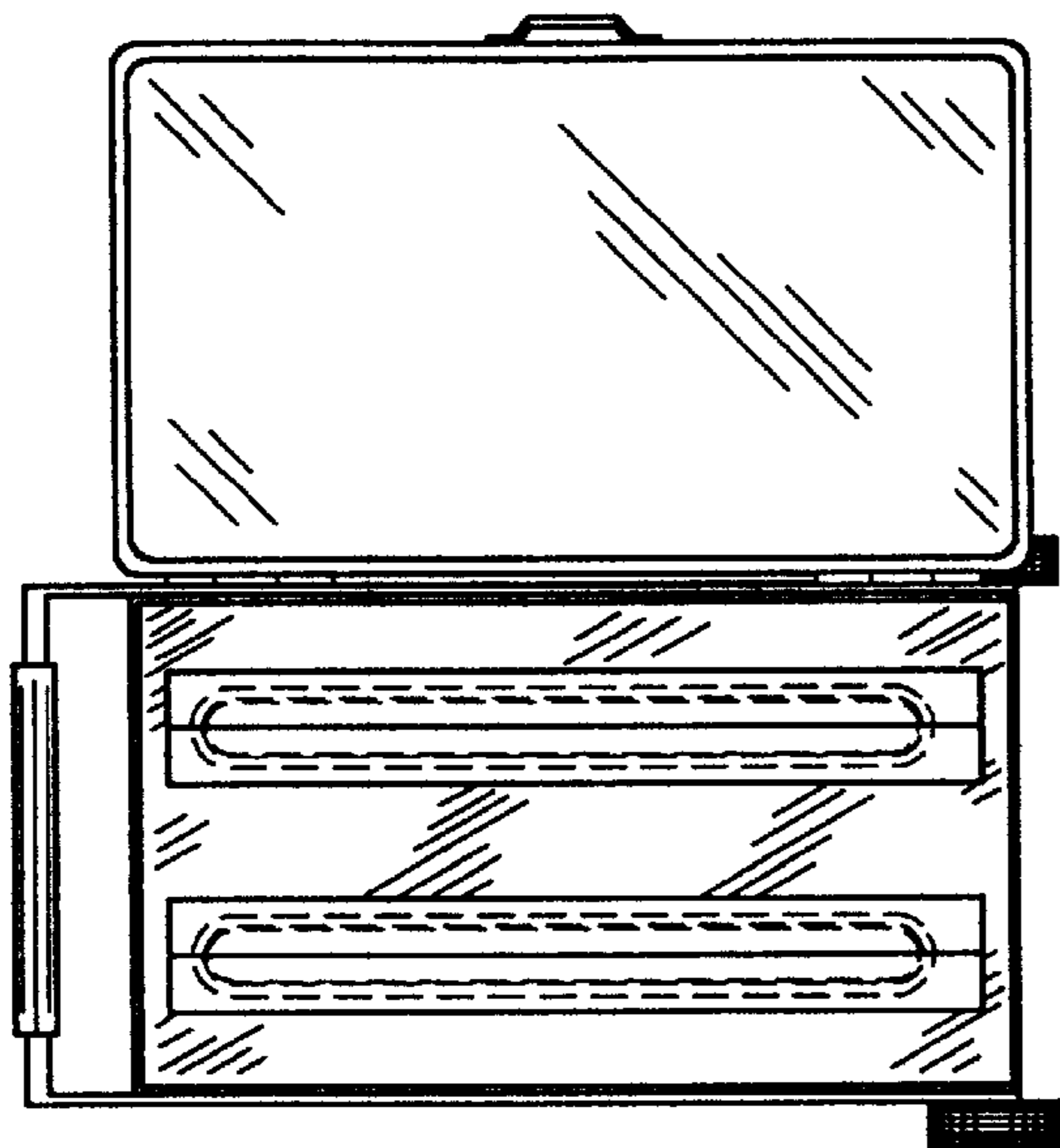


Figure 3

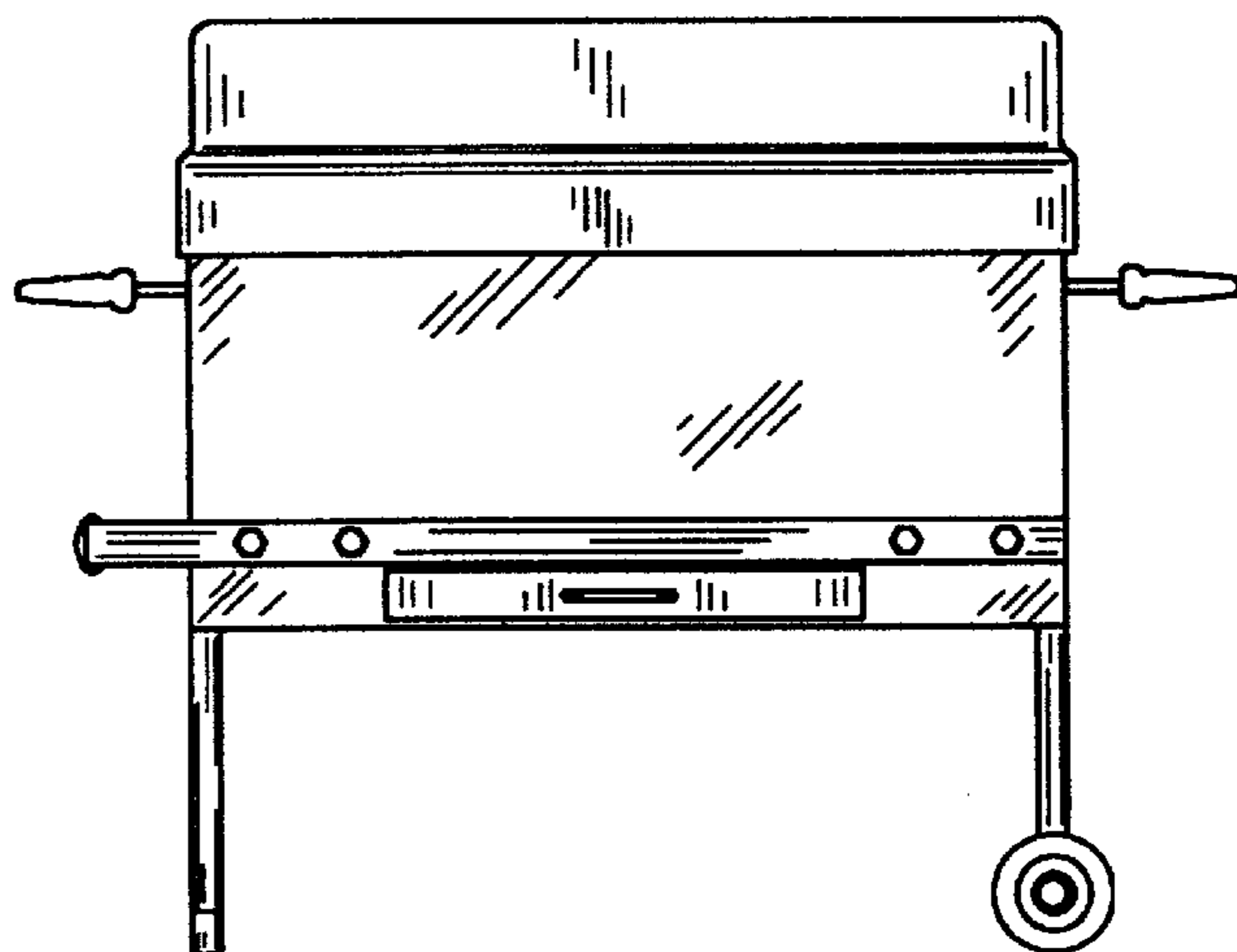


Figure 4

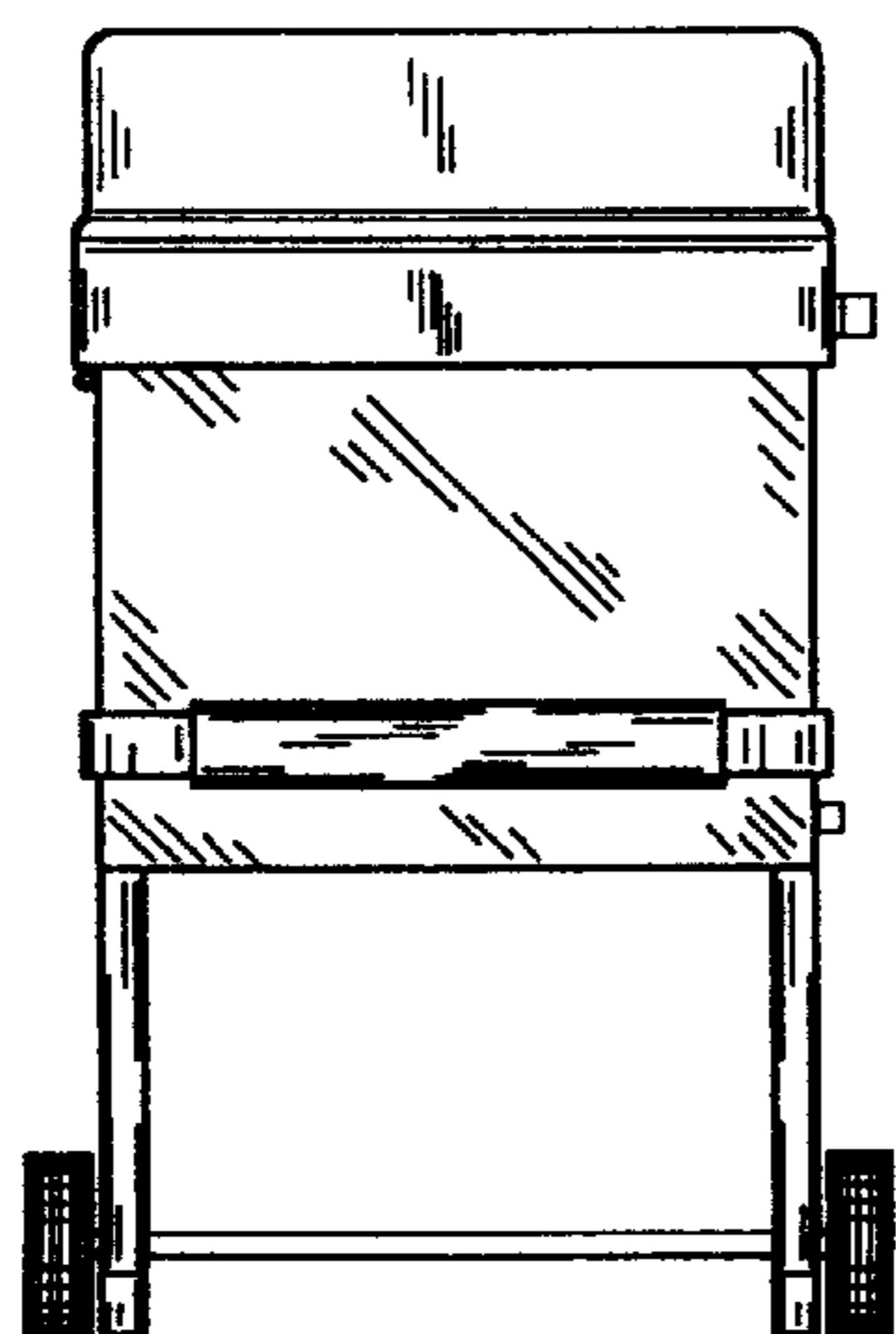


Figure 5

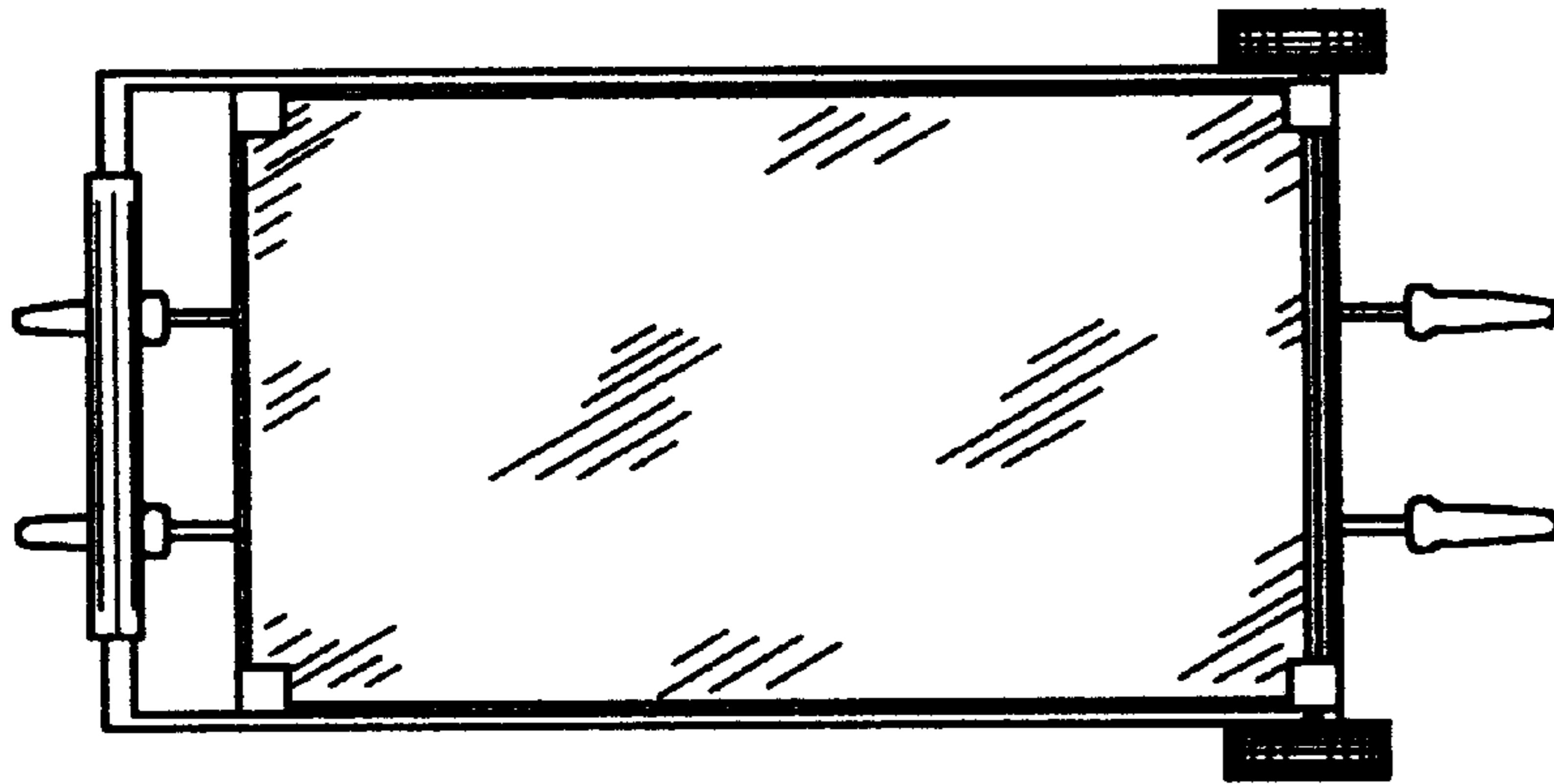


Figure 6

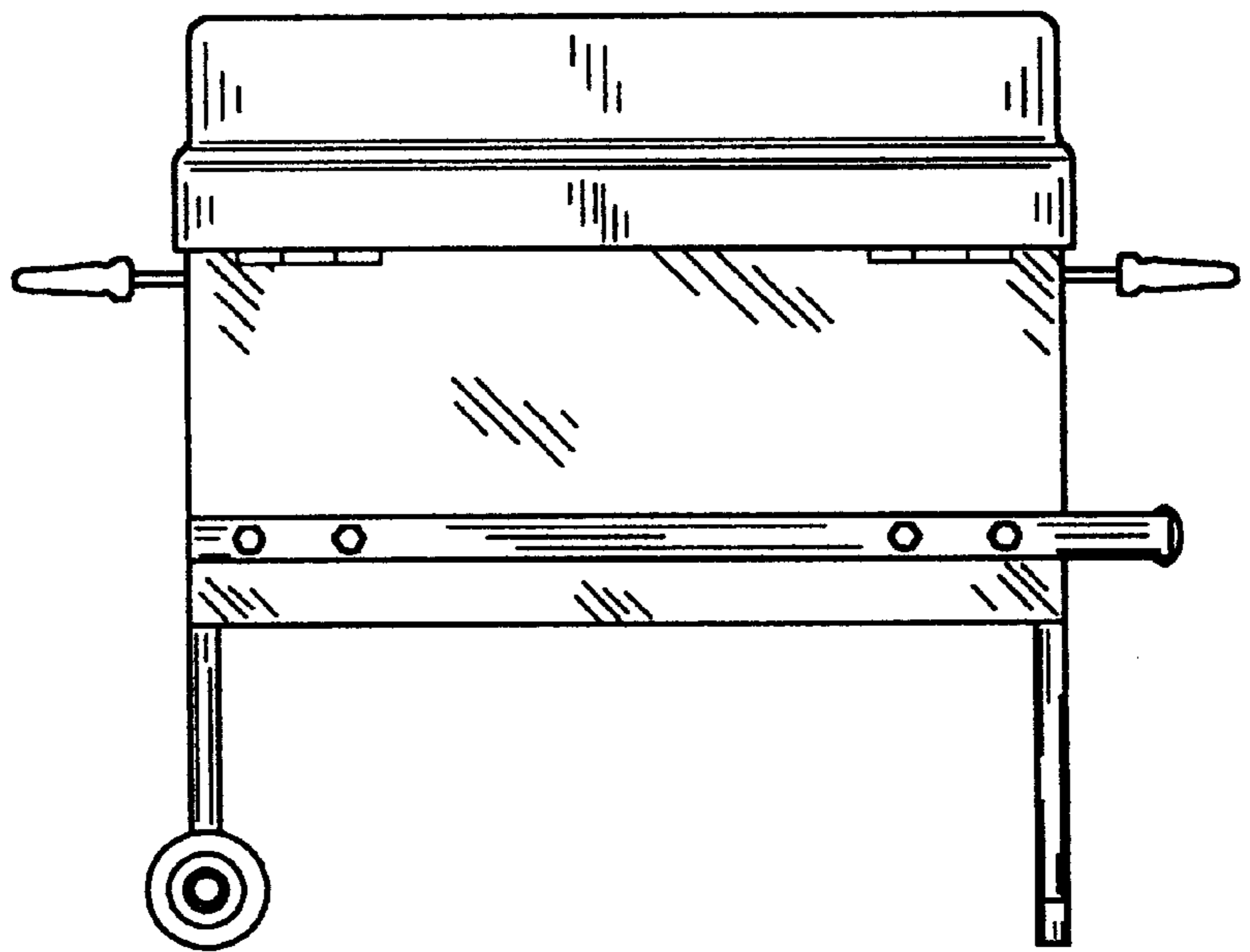


Figure 7