



US00D430448S

# United States Patent [19] De' Longhi

[11] **Patent Number: Des. 430,448**

[45] **Date of Patent: \*\* Sep. 5, 2000**

[54] **COFFEE MAKER**

[75] Inventor: **Giuseppe De' Longhi**, Treviso, Italy

[73] Assignee: **De' Longhi S.p.A.**, Treviso, Italy

[\*\*] Term: **14 Years**

[21] Appl. No.: **29/107,244**

[22] Filed: **Jun. 30, 1999**

[51] **LOC (7) Cl. .... 07-01**

[52] **U.S. Cl. .... D7/309; D7/311**

[58] **Field of Search .... D7/300, 309, 310,  
D7/311, 304, 307, 308, 312, 313; 99/281,  
295, 305; 222/185.1, 154**

[56] **References Cited**

**U.S. PATENT DOCUMENTS**

D. 277,538 2/1985 Jack ..... D7/309

D. 319,167 8/1991 Adams et al. .... D7/309

D. 397,904 9/1998 Longhi ..... D7/309

D. 408,681 4/1999 Lin ..... D7/309

*Primary Examiner*—M. N. Pandozzi  
*Attorney, Agent, or Firm*—Herbert Dubno

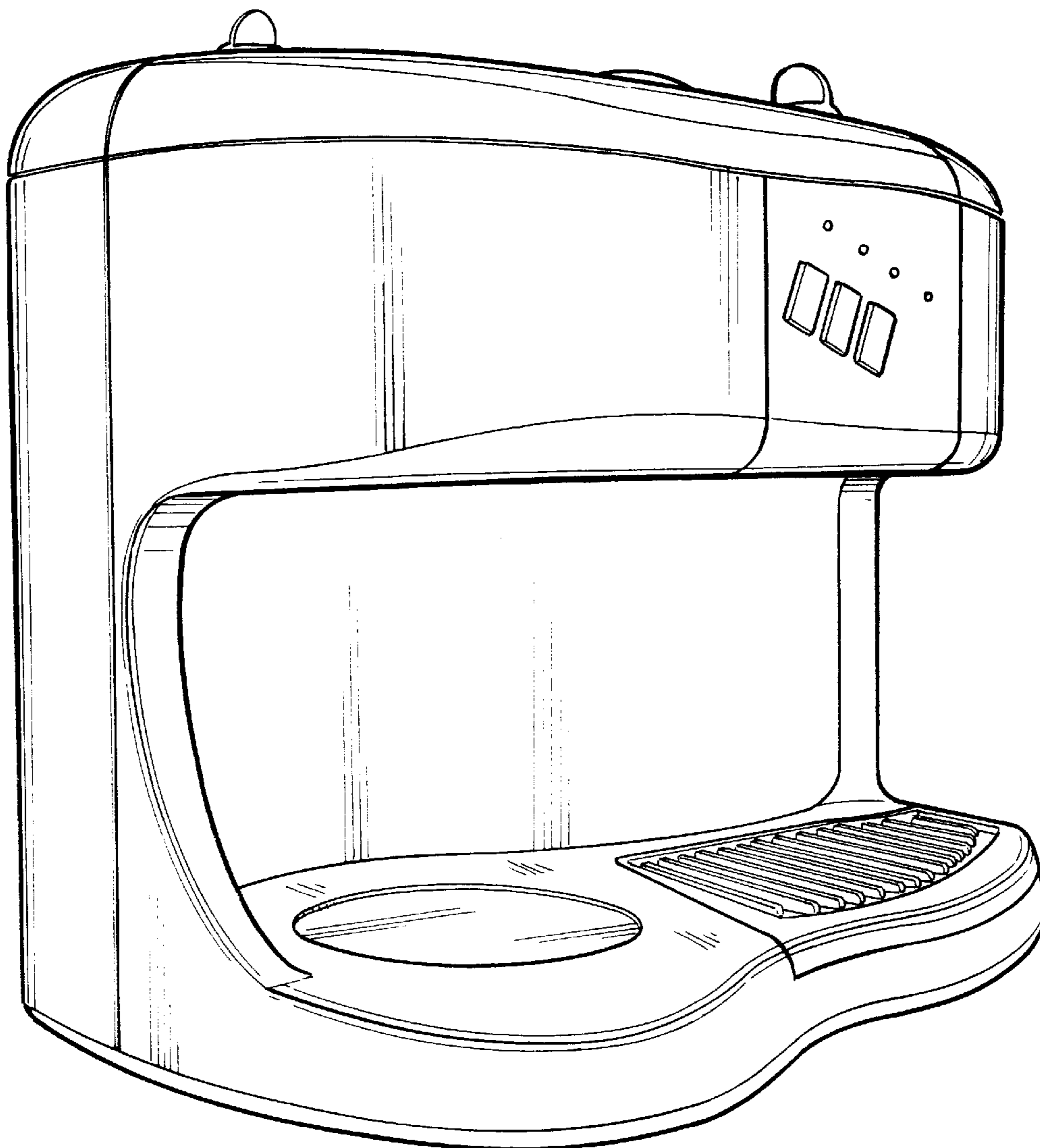
[57] **CLAIM**

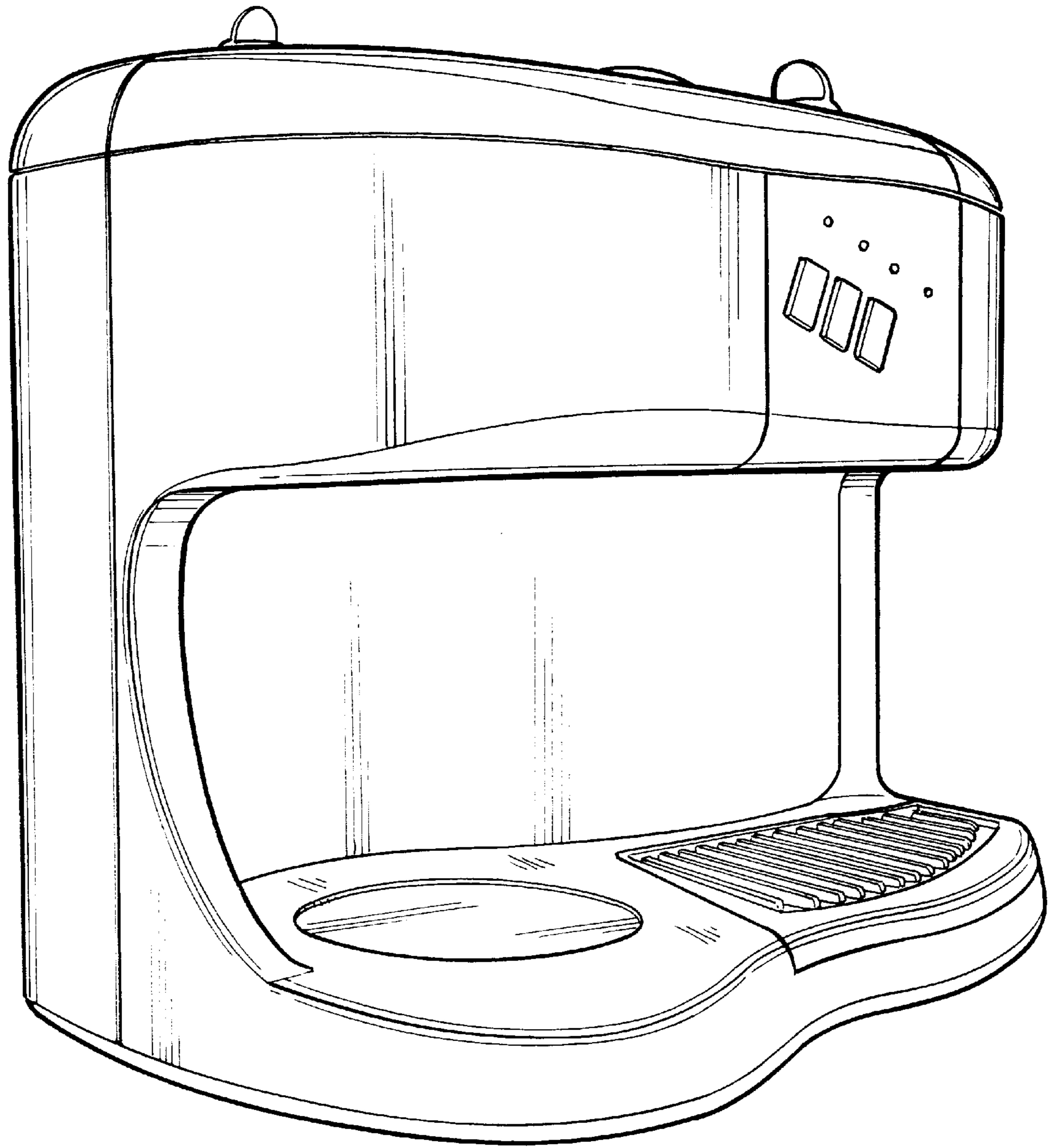
The ornamental design for a coffee maker, as shown.

**DESCRIPTION**

FIG. 1 is front, left side, top perspective view of a coffee maker showing my new design;  
FIG. 2 is a front elevational view thereof;  
FIG. 3 is a rear elevational view thereof;  
FIG. 4 is a right side elevational view thereof;  
FIG. 5 is a left side elevational view thereof;  
FIG. 6 is a top plan view thereof; and,  
FIG. 7 is a bottom plan view thereof.

**1 Claim, 7 Drawing Sheets**





*Fig. 1*

FIG. 2

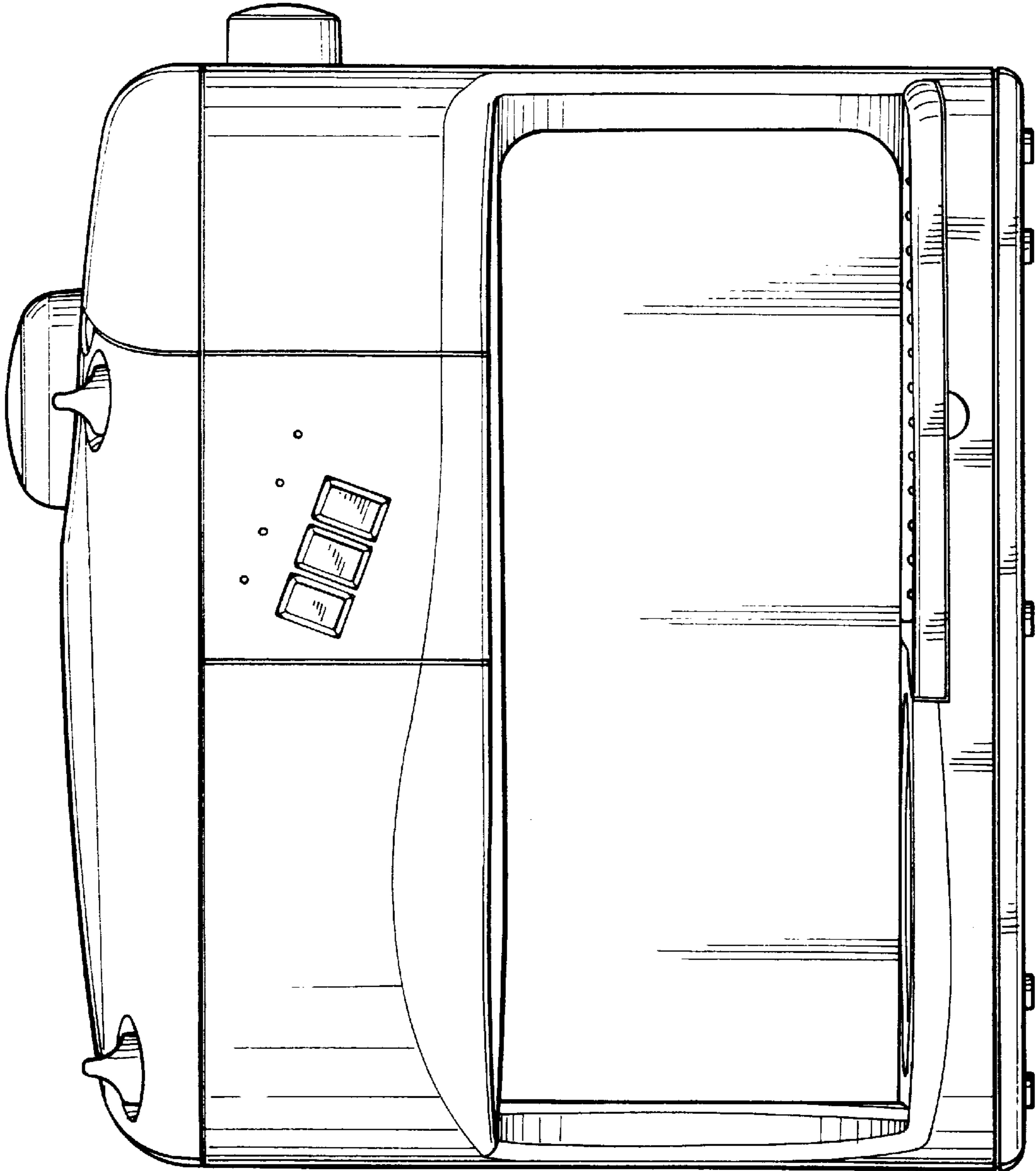
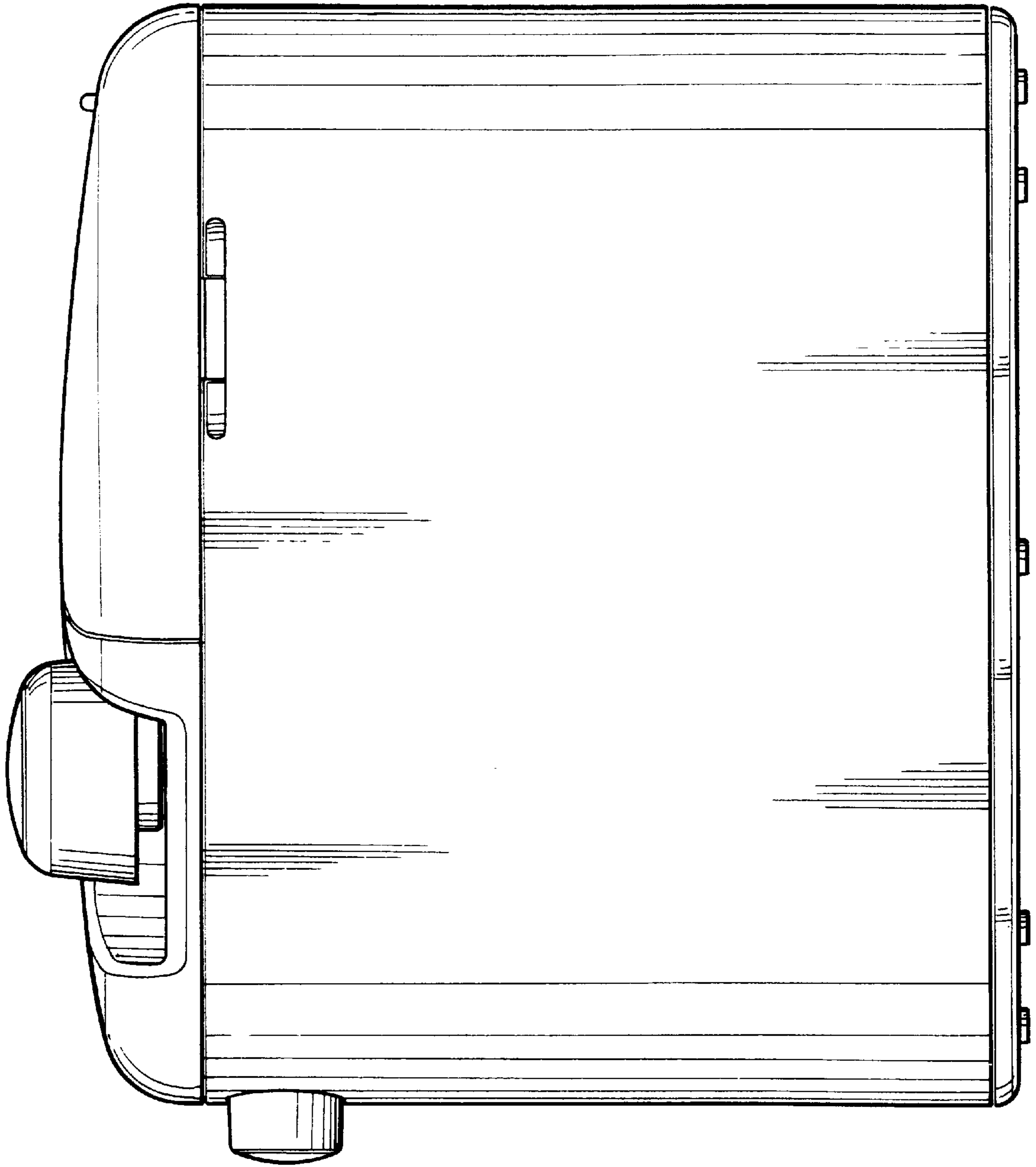


FIG. 3



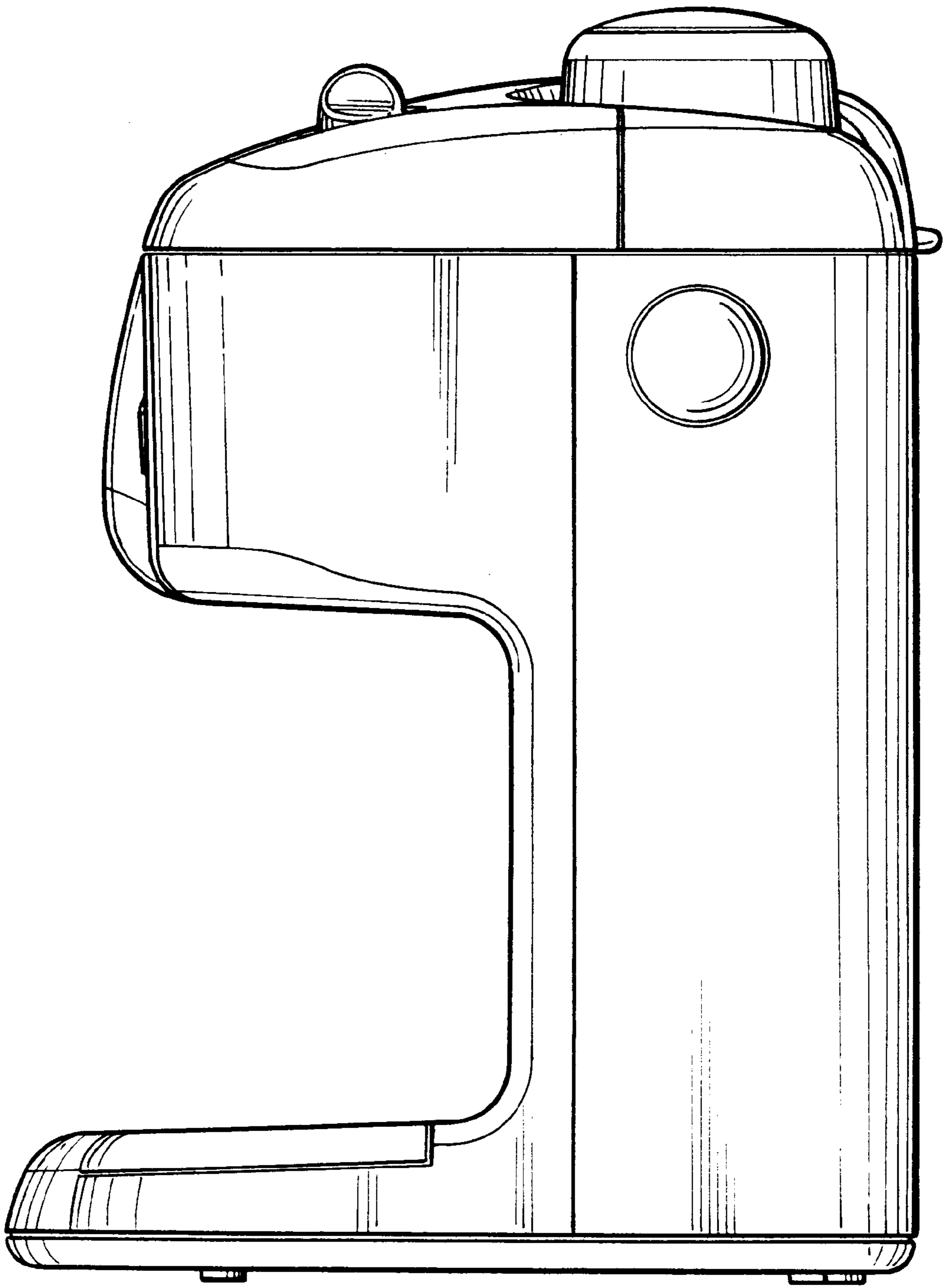


FIG. 4

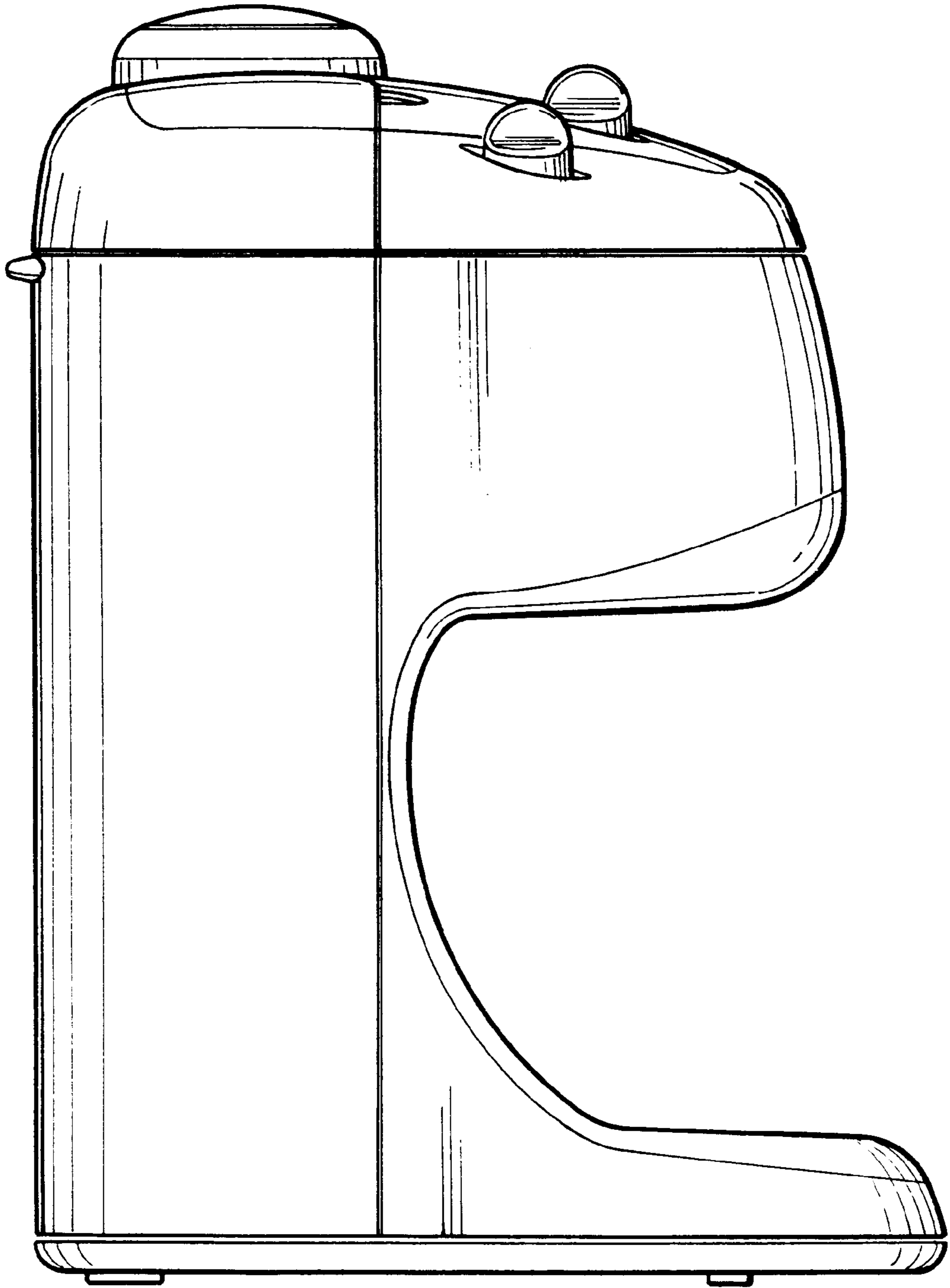


FIG. 5

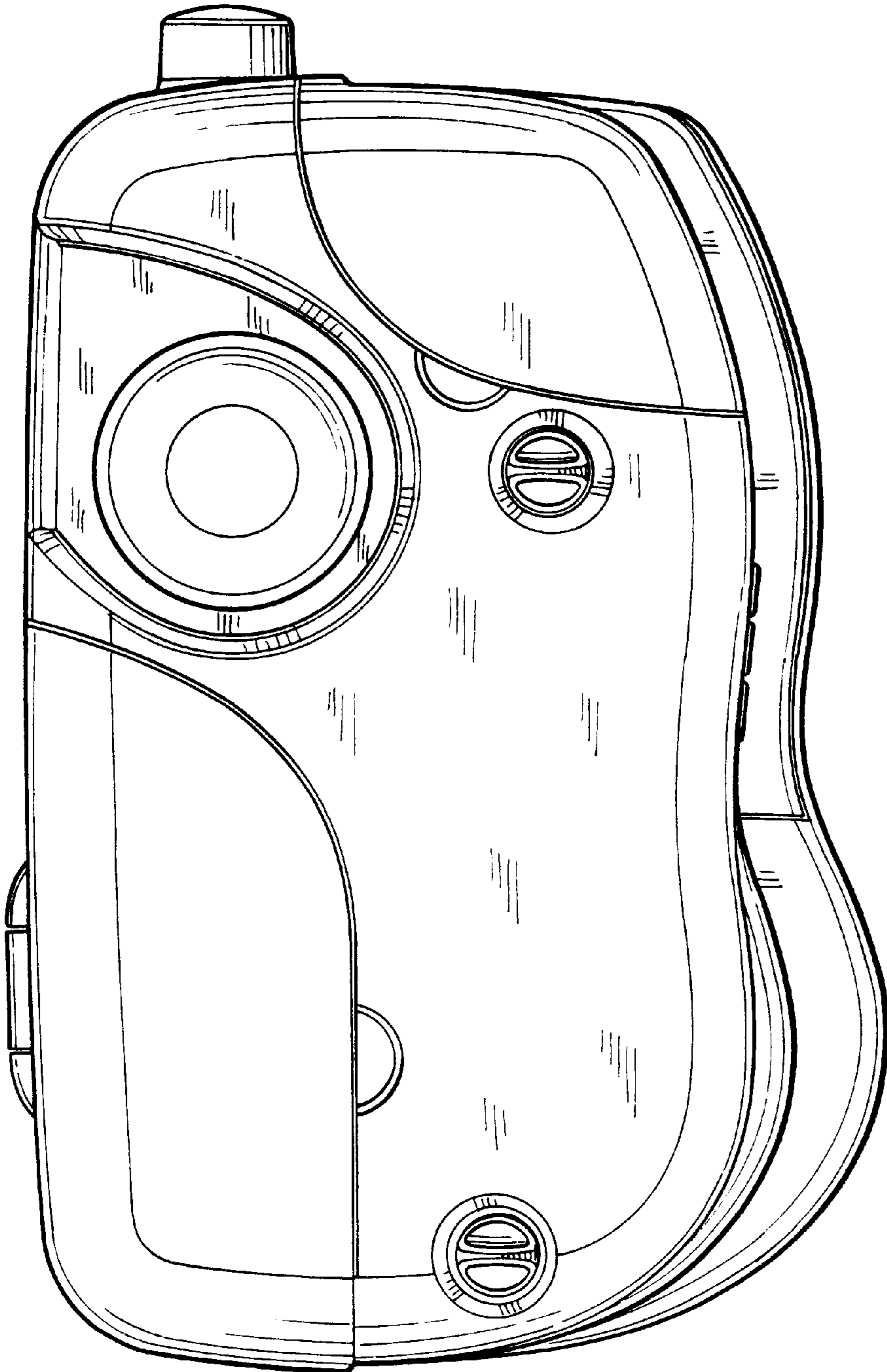


FIG. 6

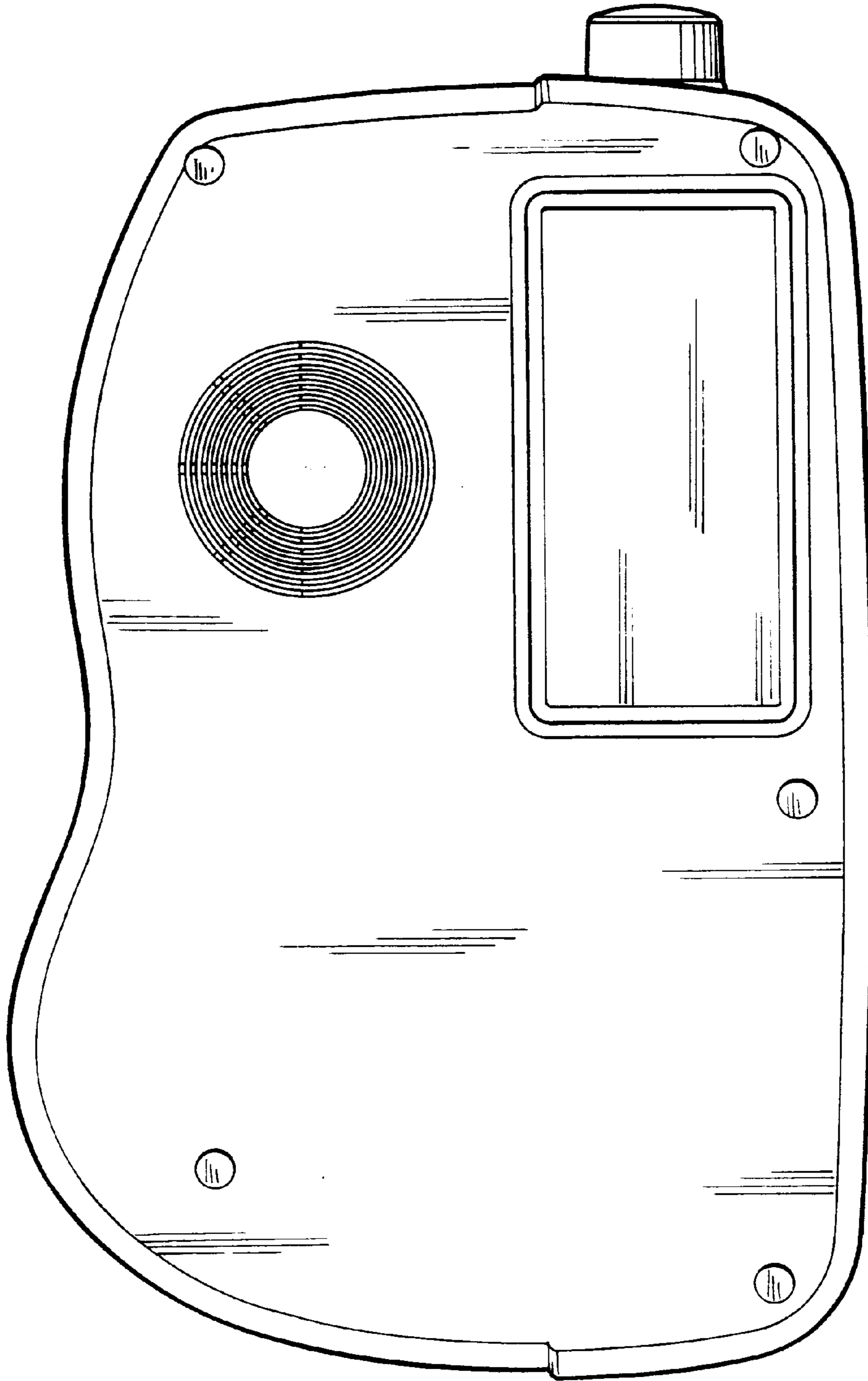


FIG. 7