



US00D430446S

United States Patent [19]
Romich

[11] **Patent Number: Des. 430,446**

[45] **Date of Patent: ** Sep. 5, 2000**

[54] **BUSINESS CARD DISPLAY AND HOLDER**

[57] **CLAIM**

[76] Inventor: **Philip Romich**, 278 Marlow,
Wadsworth, Ohio 44281

The ornamental design for a business card display and holder, as shown and described.

[**] Term: **14 Years**

DESCRIPTION

[21] Appl. No.: **29/116,952**

FIG. 1 is a perspective view showing my new design;
FIG. 2 is a top view thereof;
FIG. 3 is a front elevational view thereof; the right side, left side and rear views being identical to the front view;
FIG. 4 is a front elevational view of a second embodiment thereof;
FIG. 5 is a front elevational view of a third embodiment thereof; and,
FIG. 6 is a front elevational view of a fourth embodiment thereof.

[22] Filed: **Jan. 13, 2000**

[51] **LOC (7) Cl. 06-04**

[52] **U.S. Cl. D6/957**

[58] **Field of Search** D6/396, 405, 415,
D6/449, 455, 457, 459, 461, 466, 467;
211/58, 70, 78, 144, 163; 108/59, 94, 150

The broken line disclosures in FIG. 1 of one laminated business card on display, multiple business cards in one of the compartments, and a supporting base are shown for illustrative purposes only and form no part of the claimed design. The broken line disclosures in FIGS. 3, 4, 5, and 6 are for illustrative purposes only and form no part of the claimed design. The bottom of the business card display and holder forms no part of the claimed design.

[56] **References Cited**

U.S. PATENT DOCUMENTS

D. 241,192	8/1976	Salcer	D6/415
D. 288,508	3/1987	Toyama	D6/415
D. 297,191	8/1988	Frieden	D6/461
D. 322,522	12/1991	Ferris	D6/405
D. 328,205	7/1992	Callon	D6/459
D. 407,920	4/1999	Duffield	D6/461

Primary Examiner—Cathron B. Matta

1 Claim, 4 Drawing Sheets

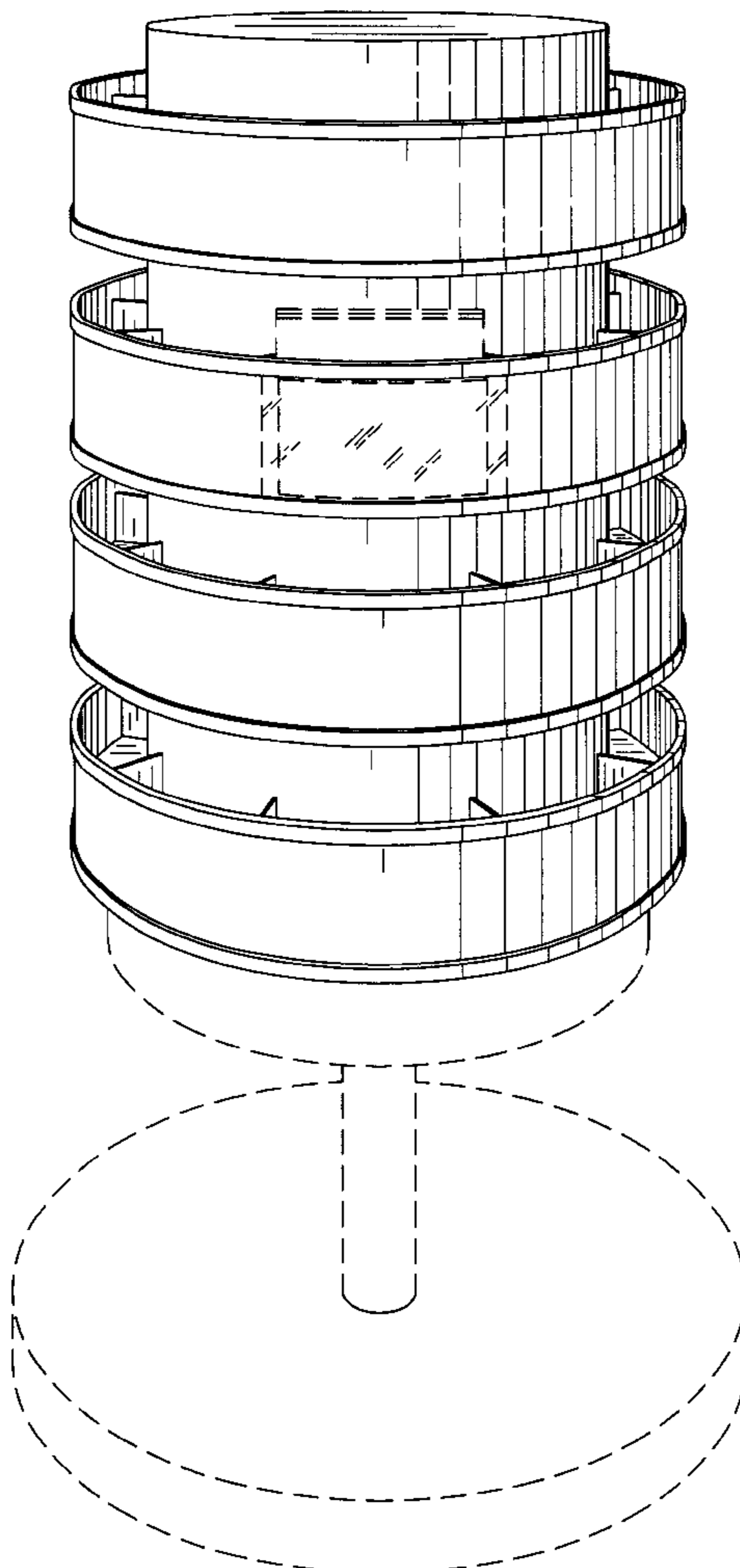


FIG. 1

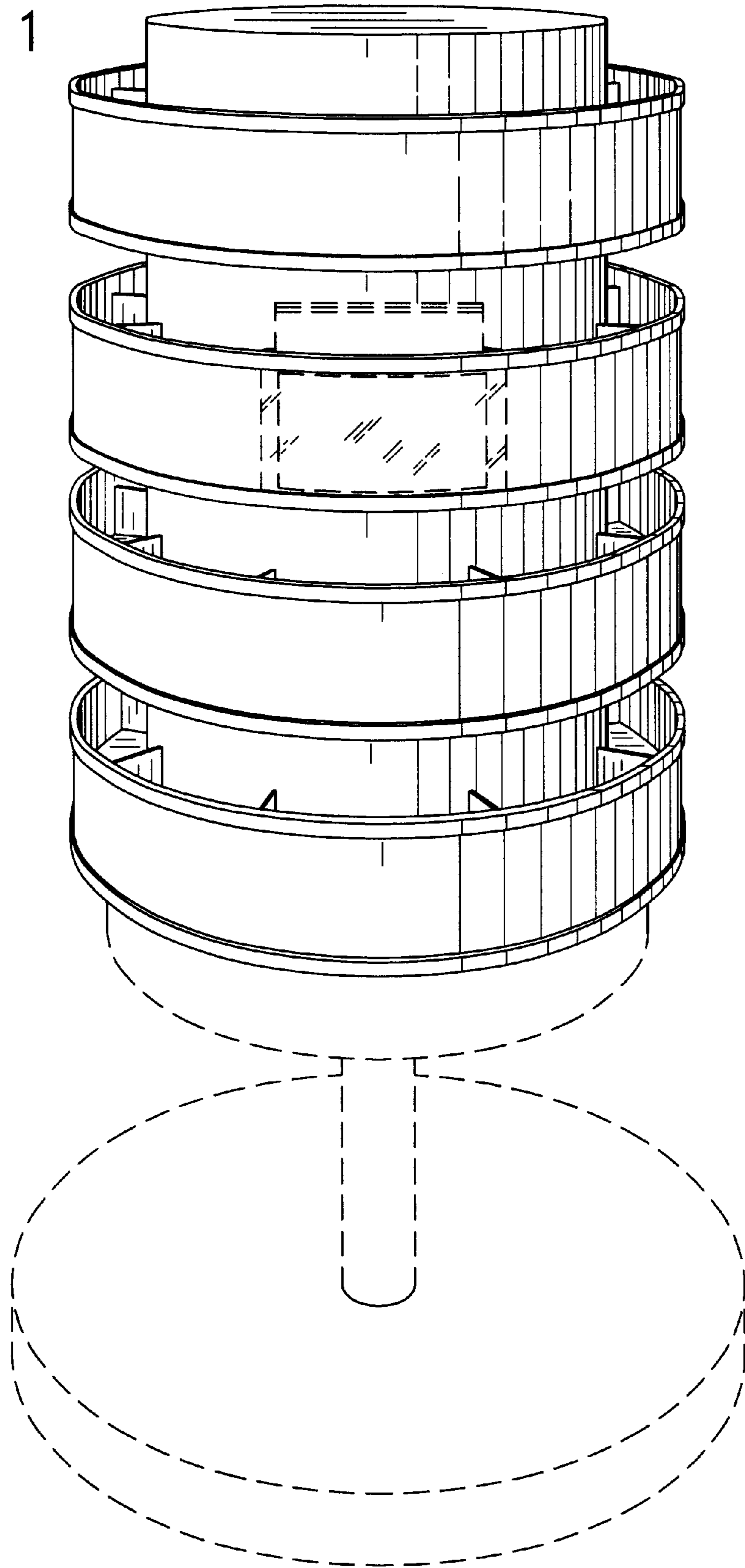


FIG. 2

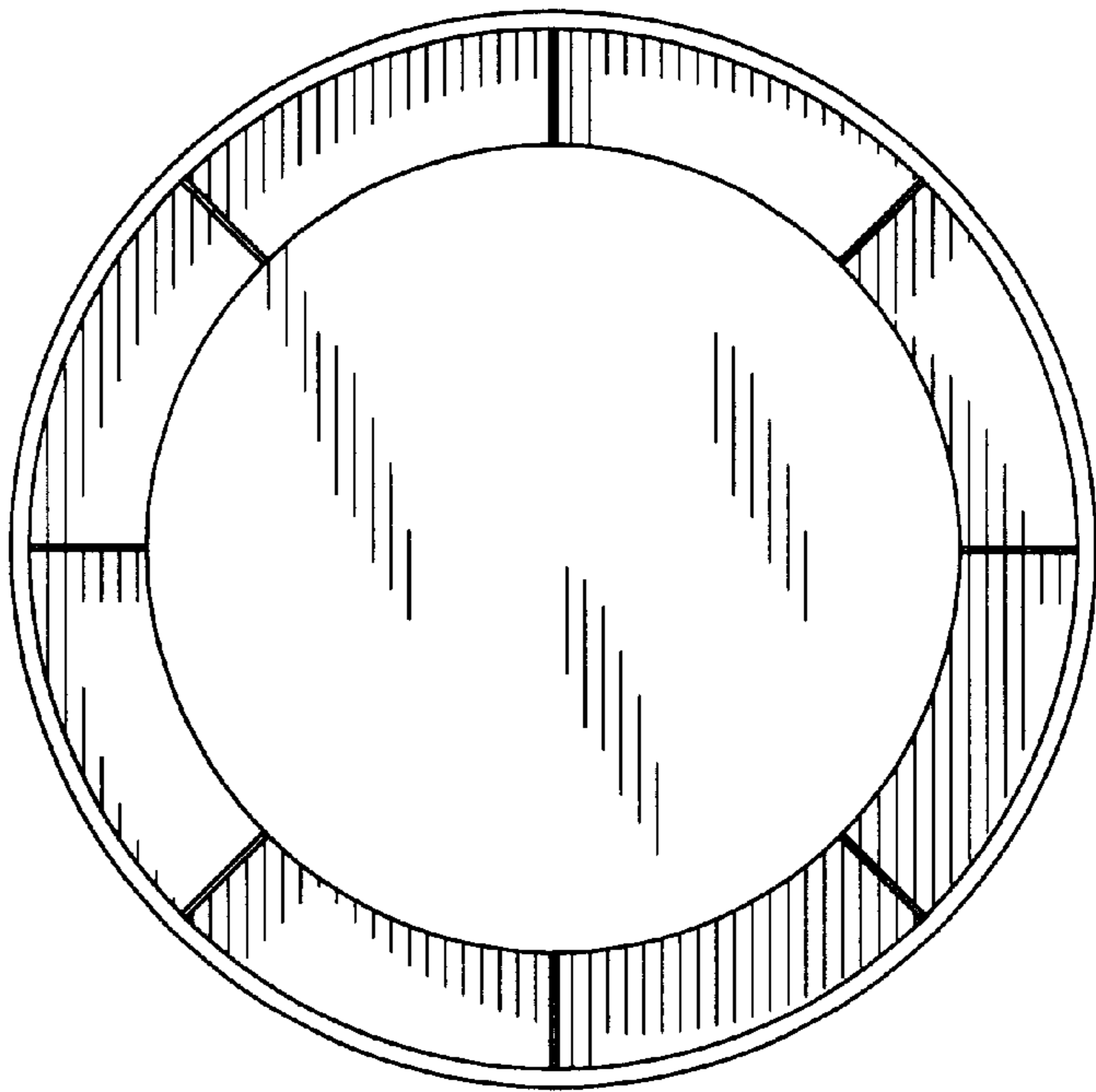


FIG. 3

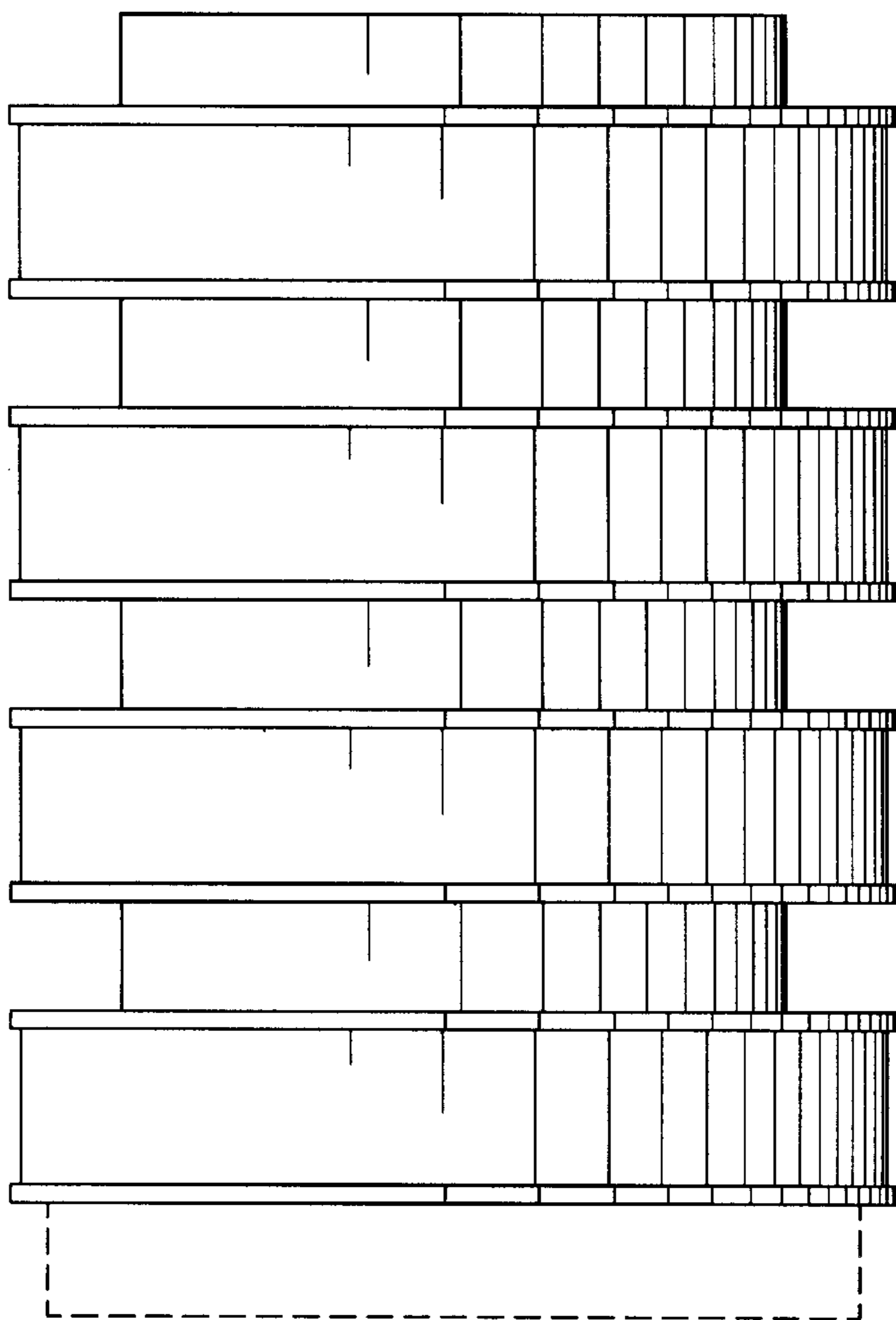


FIG. 4

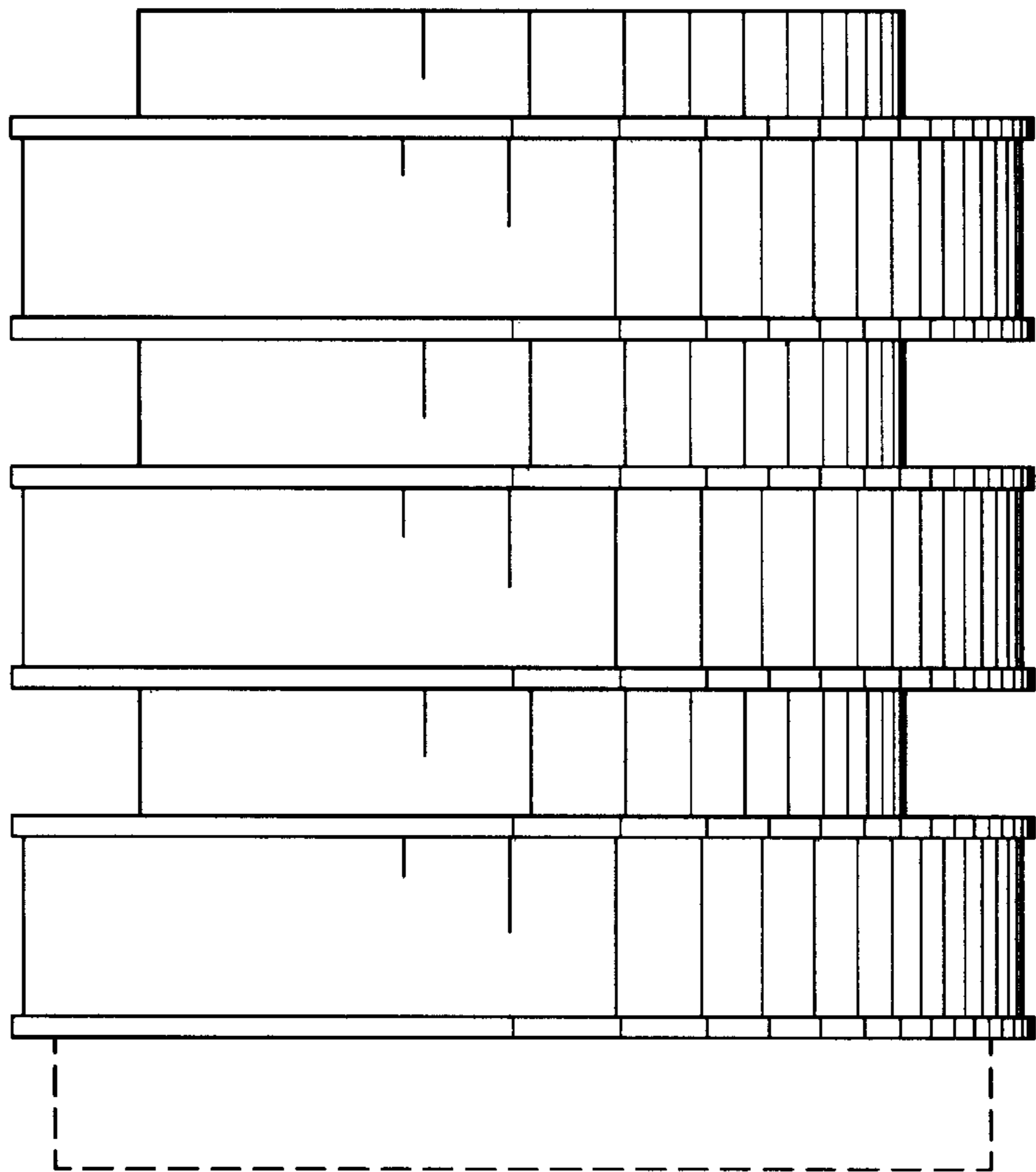


FIG. 5

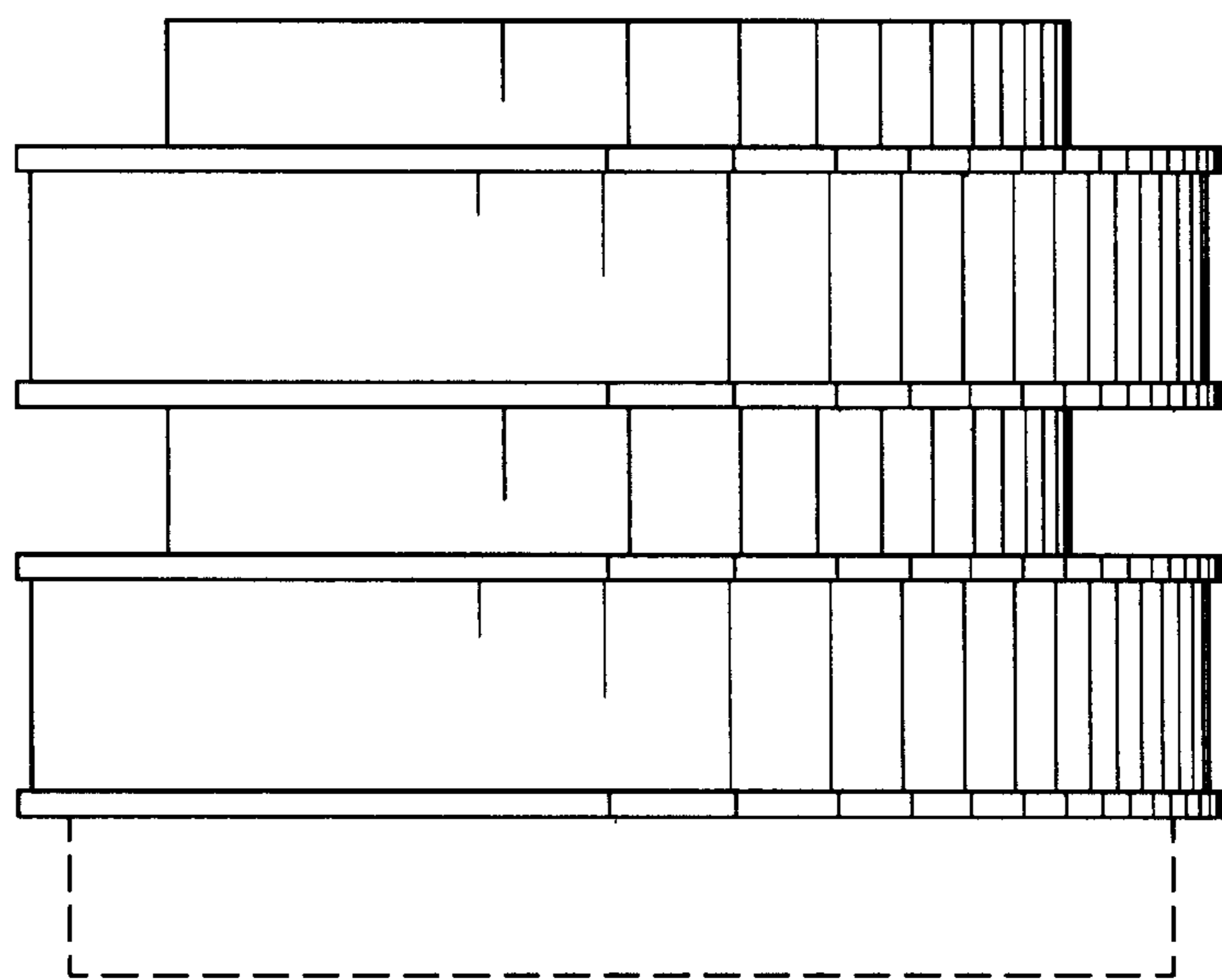


FIG. 6

