



US00D430443S

United States Patent [19] Dardashti

[11] **Patent Number: Des. 430,443**
[45] **Date of Patent: ** Sep. 5, 2000**

[54] STORAGE AND DISPLAY STAND

[76] Inventor: **Shahriar Dardashti**, c/o Atlantic, Inc.,
P.O. Box 2399, Santa Fe Springs, Calif.
90670

[**] Term: **14 Years**

[21] Appl. No.: **29/094,859**

[22] Filed: **Oct. 13, 1998**

[51] **LOC (7) Cl.** **06-04**

[52] **U.S. Cl.** **D6/630; D6/465**

[58] **Field of Search** D6/407, 626-630,
D6/462-468, 450, 457, 473-476, 556-567,
570-572, 553; 312/9.1-9.64; D19/90; D32/55,
58; 211/40, 41.1, 41.2, 41.3, 41.4, 42, 41.12,
44, 41.18, 48, 181.1; 206/307.1, 307, 308.1,
445, 387.15, 454, 387.1, 425

[56] **References Cited**

U.S. PATENT DOCUMENTS

Re. 35,761	4/1998	Dardashti	211/40
D. 282,797	3/1986	Dixon	D6/465
D. 331,166	11/1992	Ohadi	D6/570
D. 351,528	10/1994	Dardashti	D6/630
D. 352,848	11/1994	Dardashti	D6/465
D. 356,701	3/1995	Chu	D6/407
D. 358,725	5/1995	Stender	D6/407
D. 359,648	6/1995	Hwang	D6/629
D. 364,979	12/1995	Thomas et al.	D6/465
D. 367,188	2/1996	Levine	D6/407
D. 374,359	10/1996	Liu	D6/479
D. 381,548	7/1997	Goodman	D6/630
D. 387,226	12/1997	Dardashti	D6/465
D. 387,605	12/1997	Chiu	D6/629
D. 394,980	6/1998	Goodman	D6/630
D. 415,632	10/1999	Dardashti	D6/474
4,824,302	4/1989	Schultheis et al.	410/151
4,993,558	2/1991	Assael	211/40
5,054,626	10/1991	Stempinski	211/40
5,341,943	8/1994	Fraser	211/40
5,370,242	12/1994	Huang	211/40
5,595,312	1/1997	Dardashti	211/41.12 X
5,788,088	8/1998	Kao	211/40
5,826,843	10/1998	Sturm	248/176.1
5,984,115	11/1999	Koestenblatt et al.	211/40

FOREIGN PATENT DOCUMENTS

568 497 1/1973 Switzerland .

OTHER PUBLICATIONS

Home Decorators Collection Winter 1996, p. 73.
Garnet International, Inc., Model PF-0881, publication date,
before Oct. 13, 1998, Taipei, Taiwan.
Fellowes—Media Storage for the Home, copyright 1998.
Home Decorators Collection (Catalog), Winter 1997/98, p.
81.

Primary Examiner—Jeffrey Asch
Attorney, Agent, or Firm—Oppenheimer Wolff & Donnelly
LLP

[57] **CLAIM**

The ornamental design for a storage and display stand, as
shown and described.

DESCRIPTION

FIG. 1 is a rear perspective view of a storage and display
stand showing my new design;
FIG. 2 is a front elevational view thereof;
FIG. 3 is a right side elevational view thereof;
FIG. 4 is a rear elevational view thereof;
FIG. 5 is a left side elevational view thereof;
FIG. 6 is a top plan view thereof;
FIG. 7 is a bottom plan view thereof;
FIG. 8 is a rear perspective view of a second embodiment
thereof;
FIG. 9 is a front elevational view of the embodiment of
FIG. 8;
FIG. 10 is a right side elevational view of the embodiment
of FIG. 8;
FIG. 11 is a rear elevational view of the embodiment of FIG.
8;
FIG. 12 is a left side elevational view of the embodiment of
FIG. 8;
FIG. 13 is a top plan view of the embodiment of FIG. 8; and,
FIG. 14 is a bottom plan view of the embodiment of FIG. 8.
The dotted line showings of the compact discs in FIGS. 1
and 8 are for environmental purposes and form no part of the
claimed design.

1 Claim, 10 Drawing Sheets

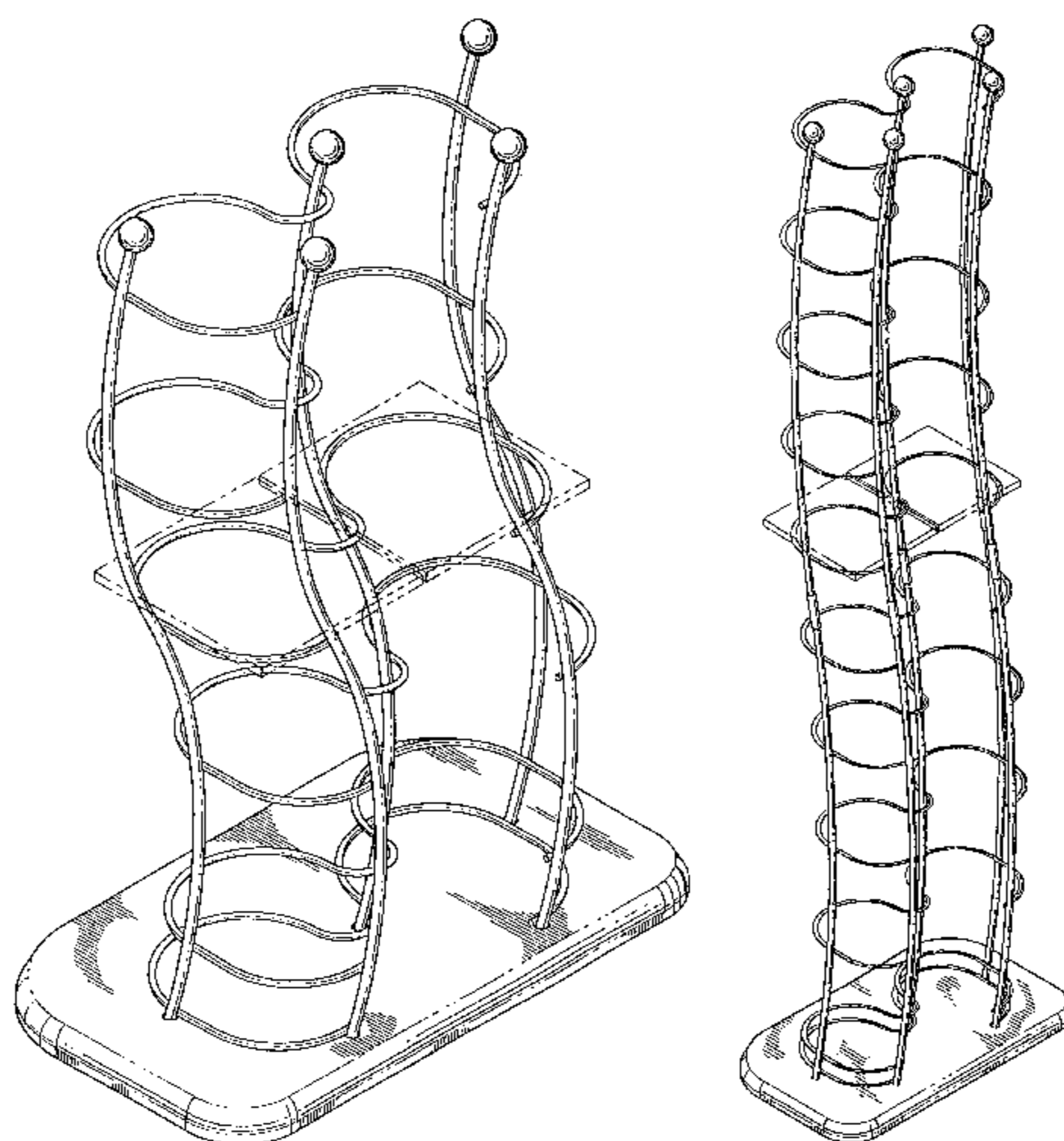


FIG. 1

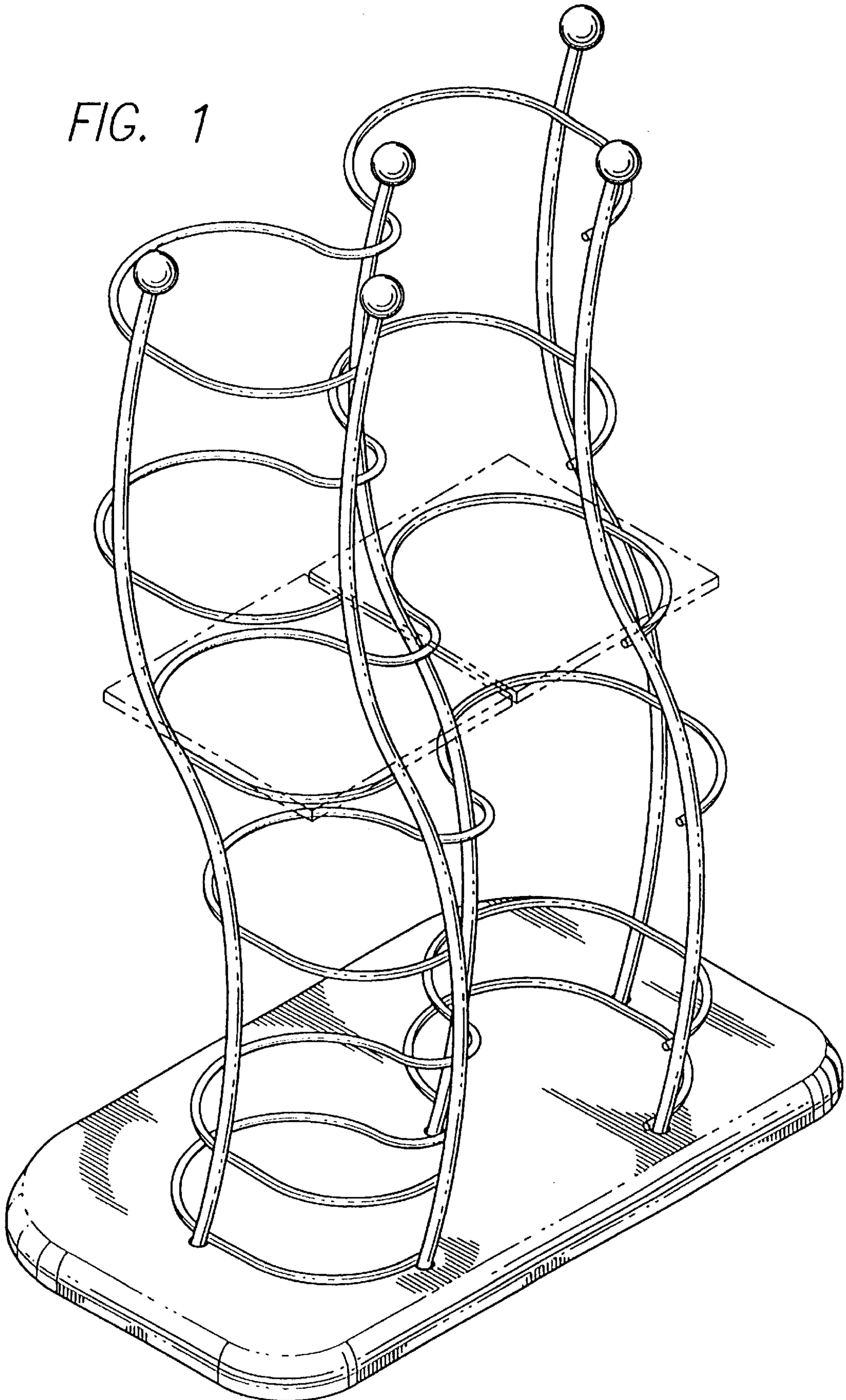


FIG. 2

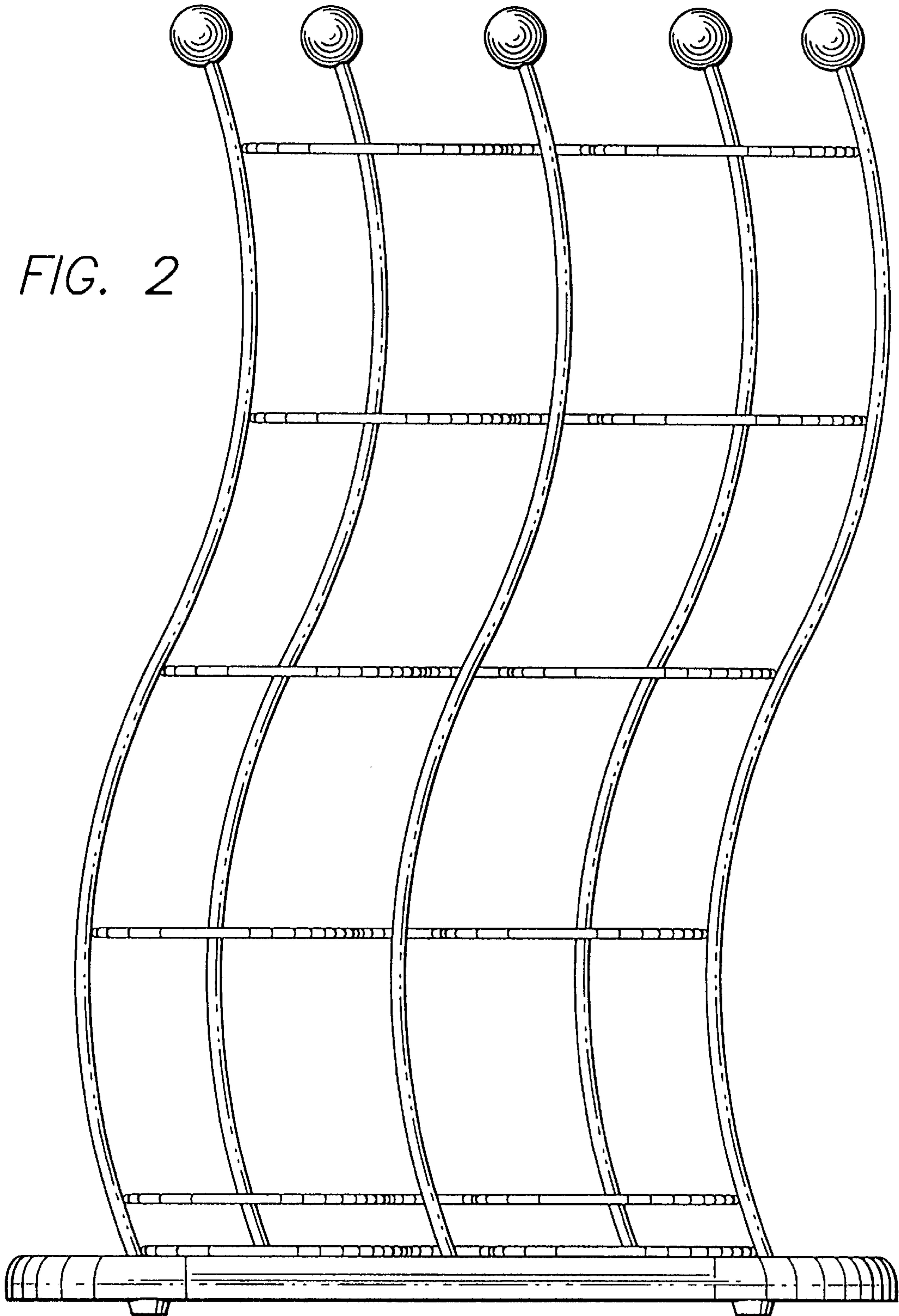
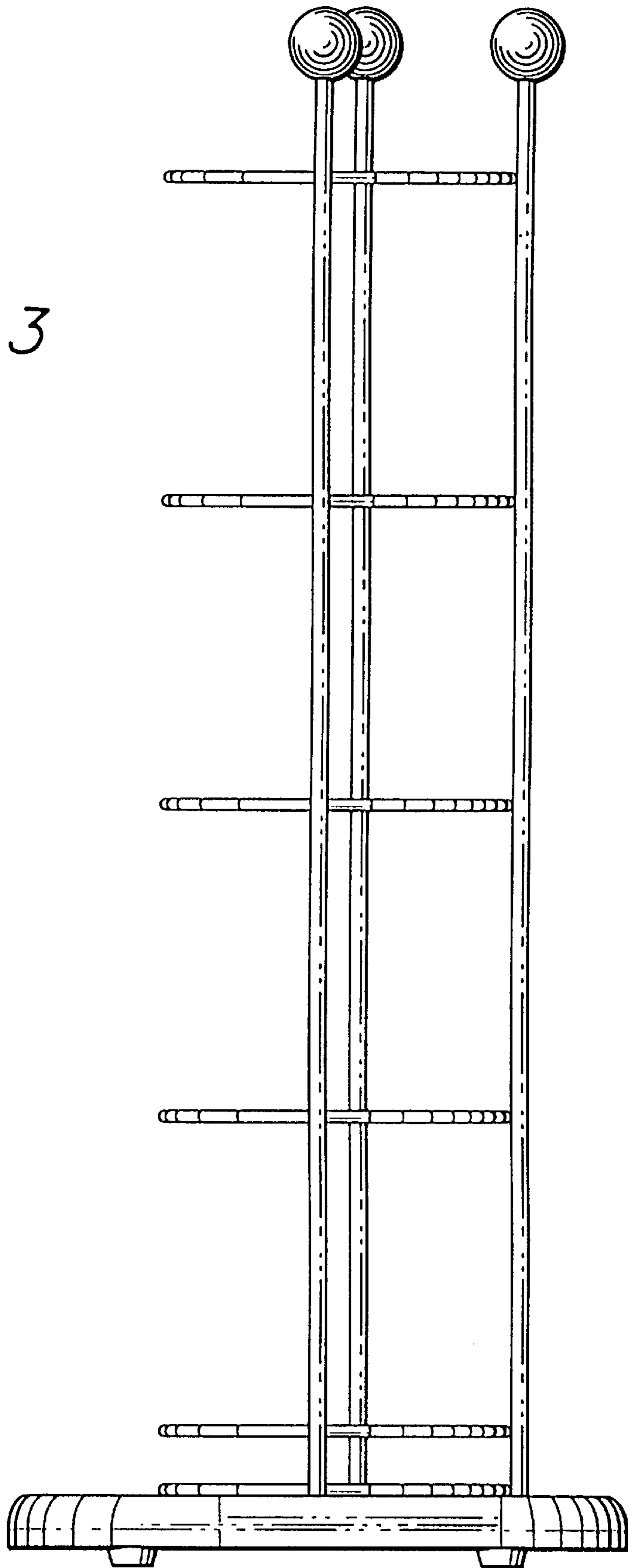


FIG. 3



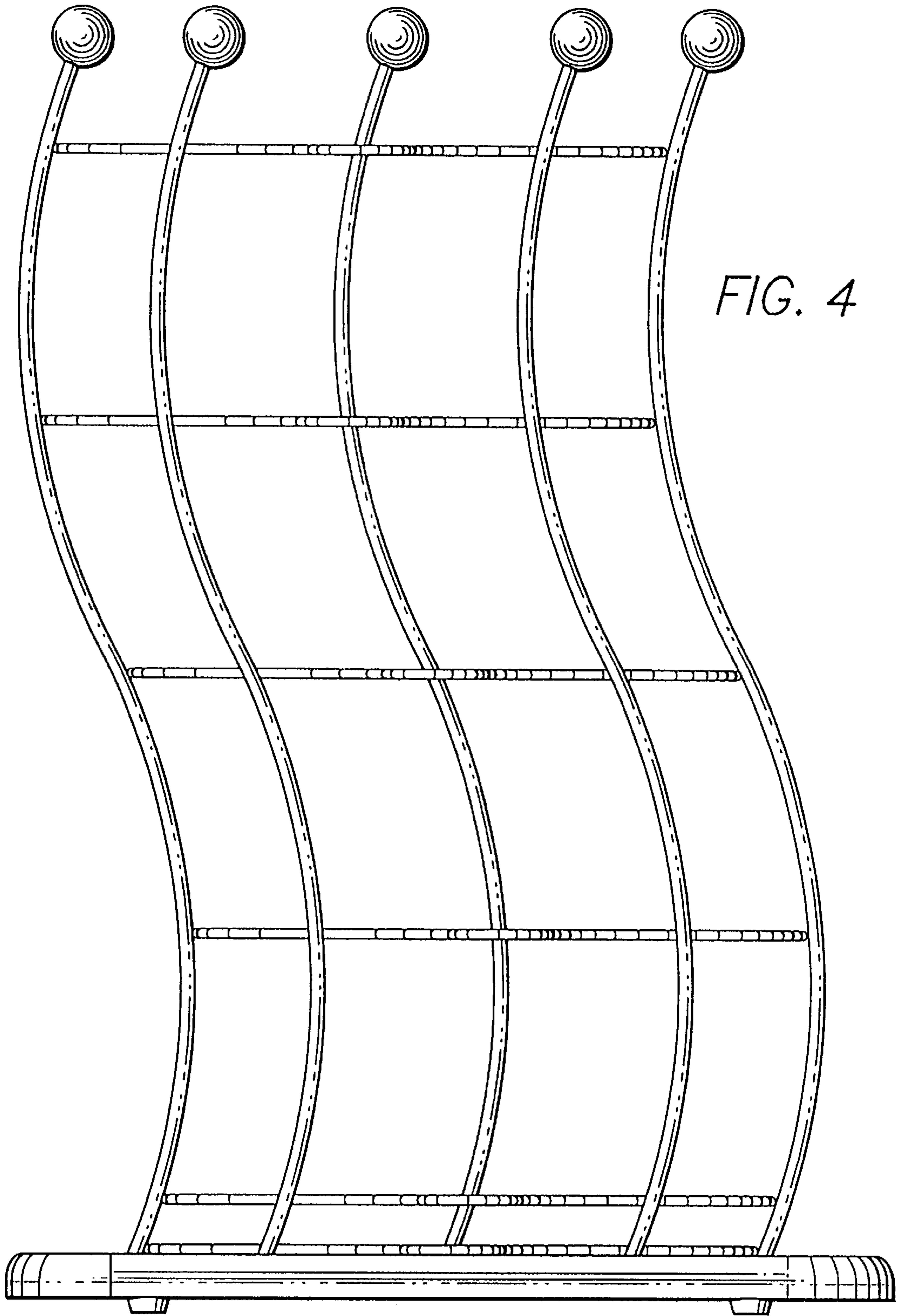


FIG. 4

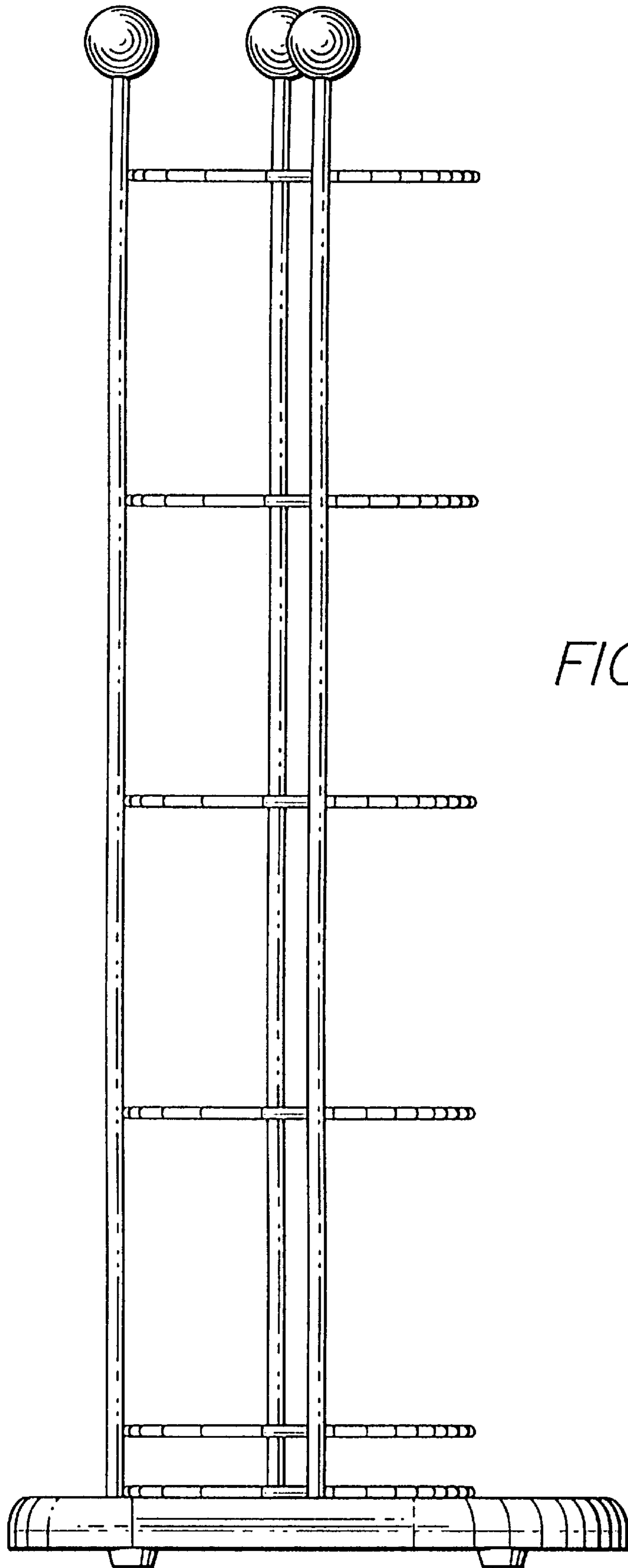


FIG. 5

FIG. 6

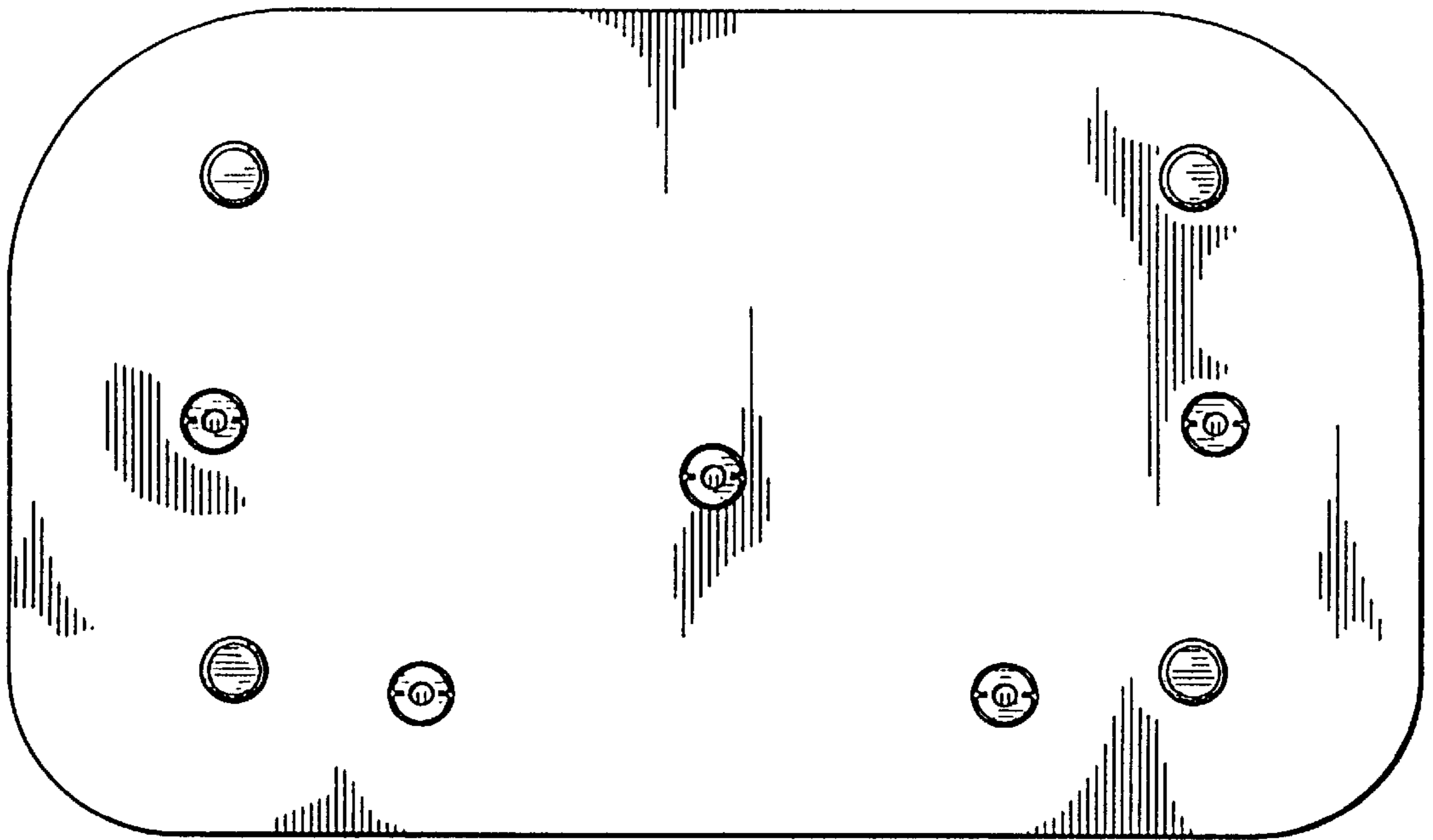
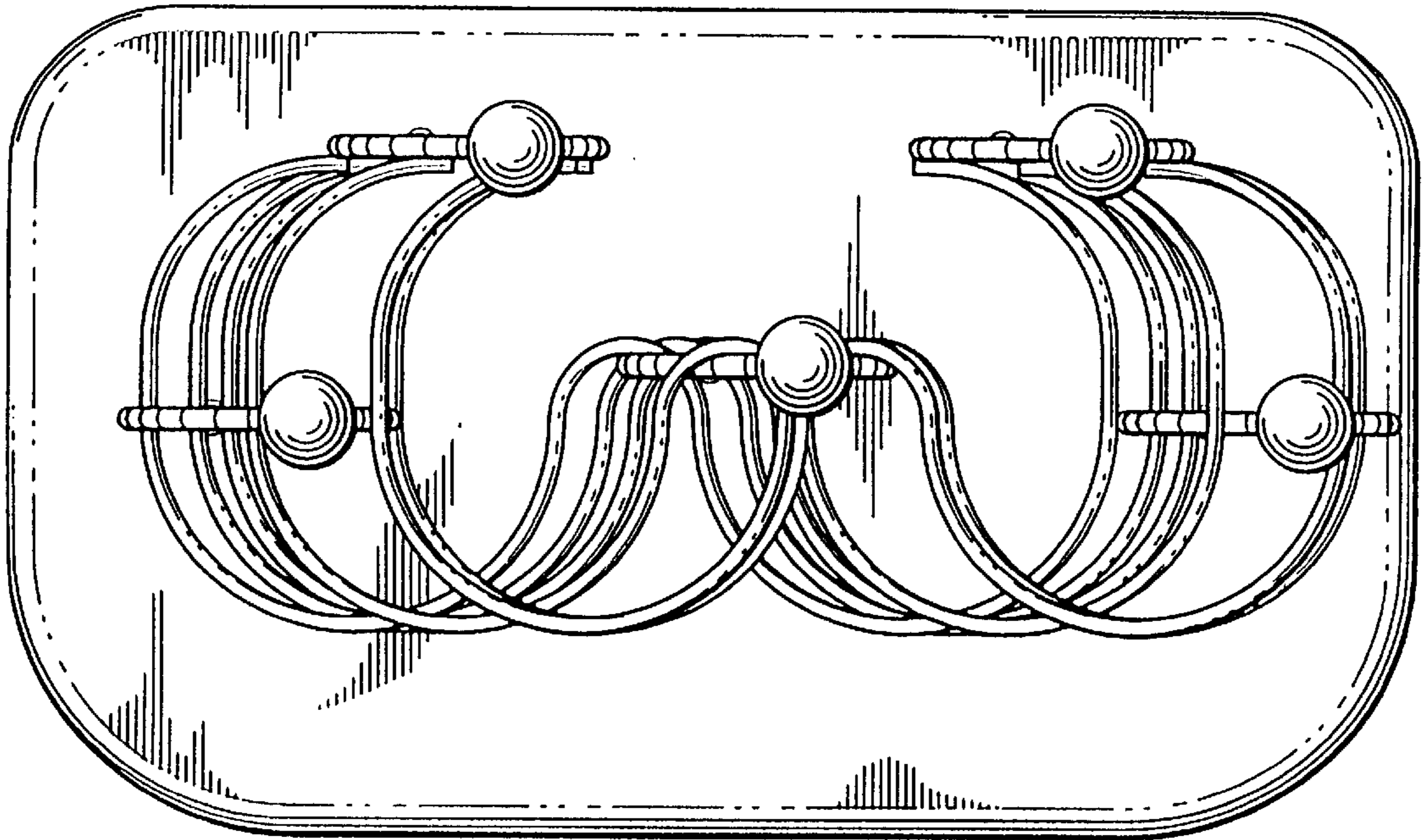
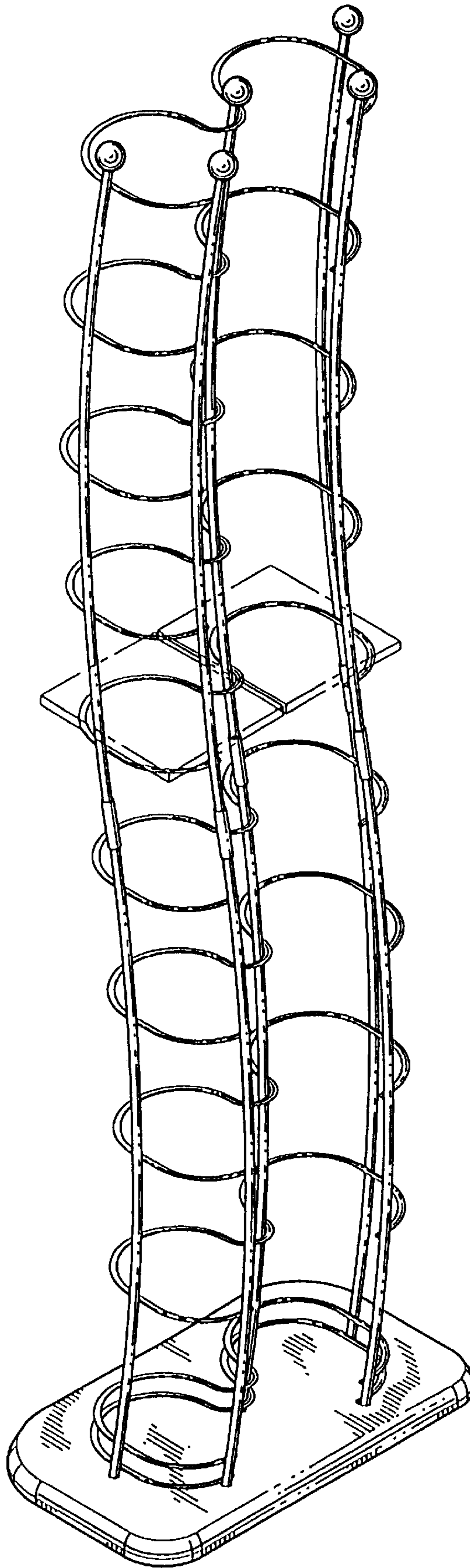


FIG. 7

FIG. 8



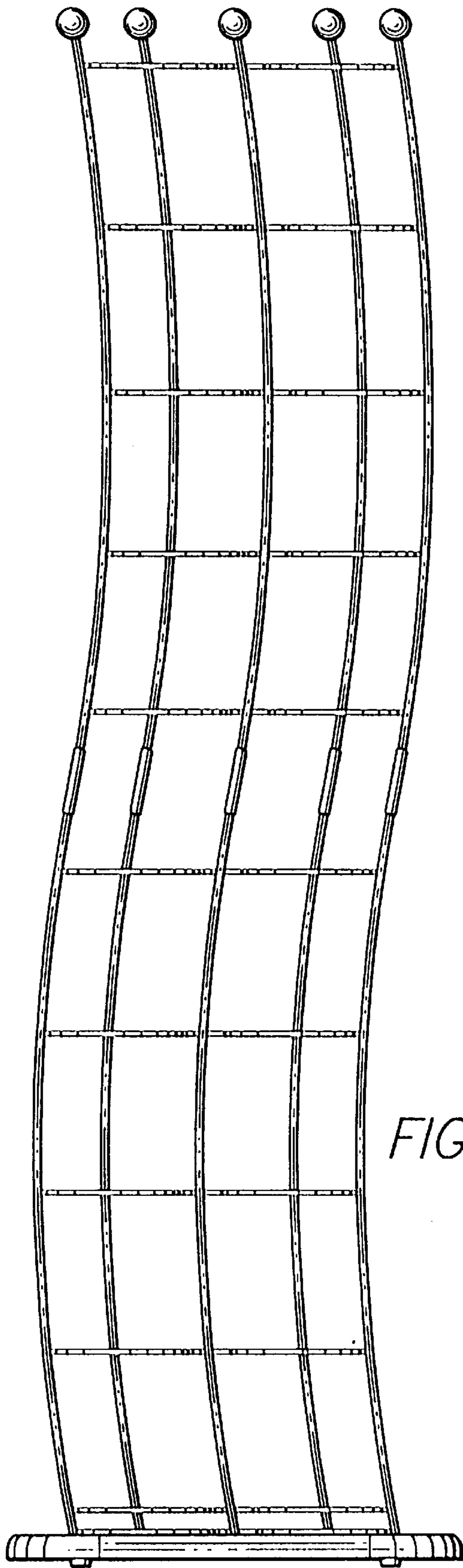
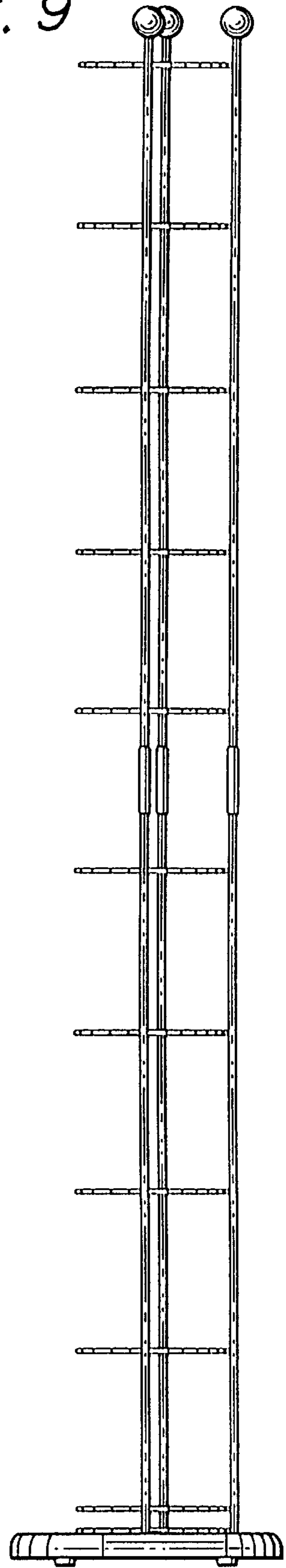


FIG. 10

FIG. 9



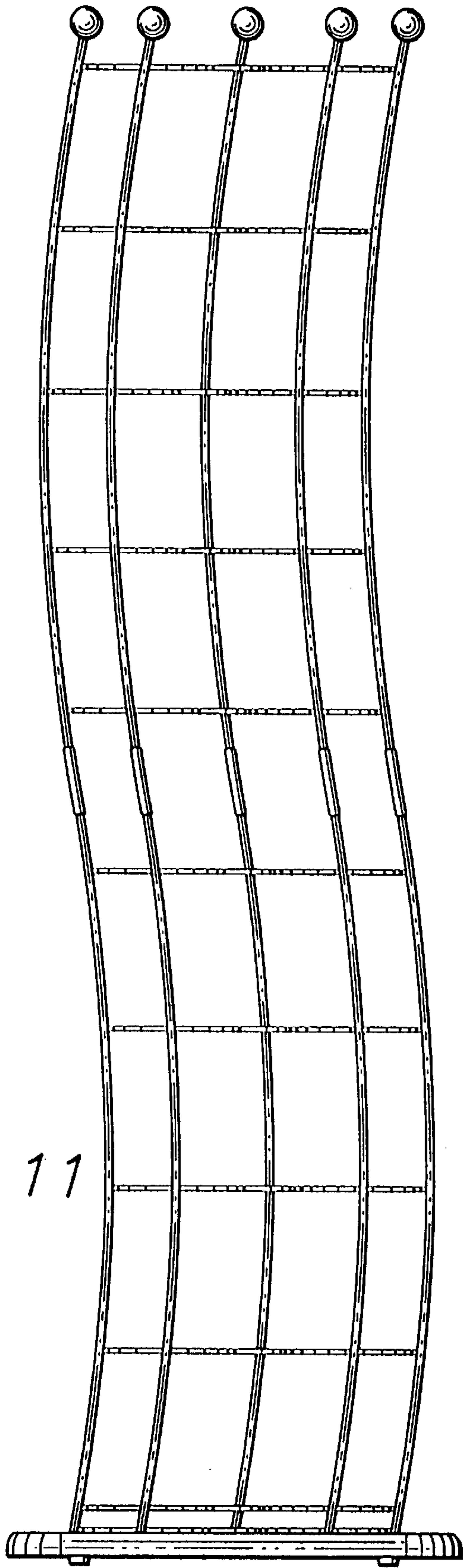


FIG. 11

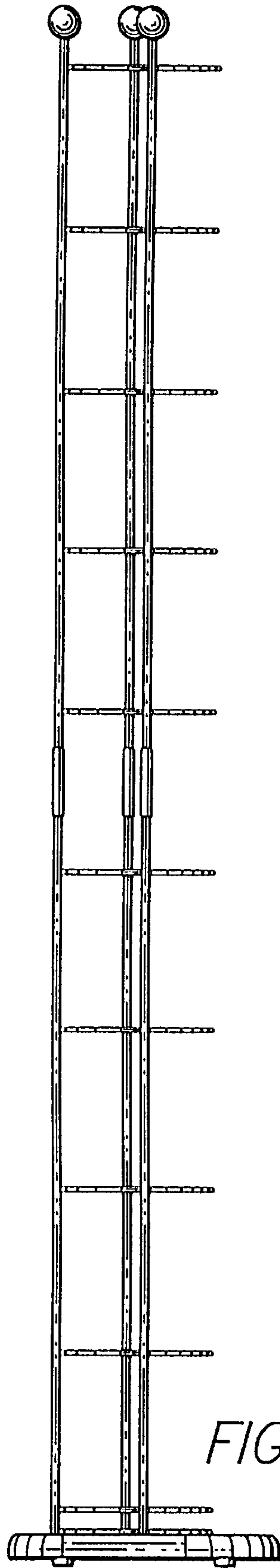


FIG. 12

FIG. 13

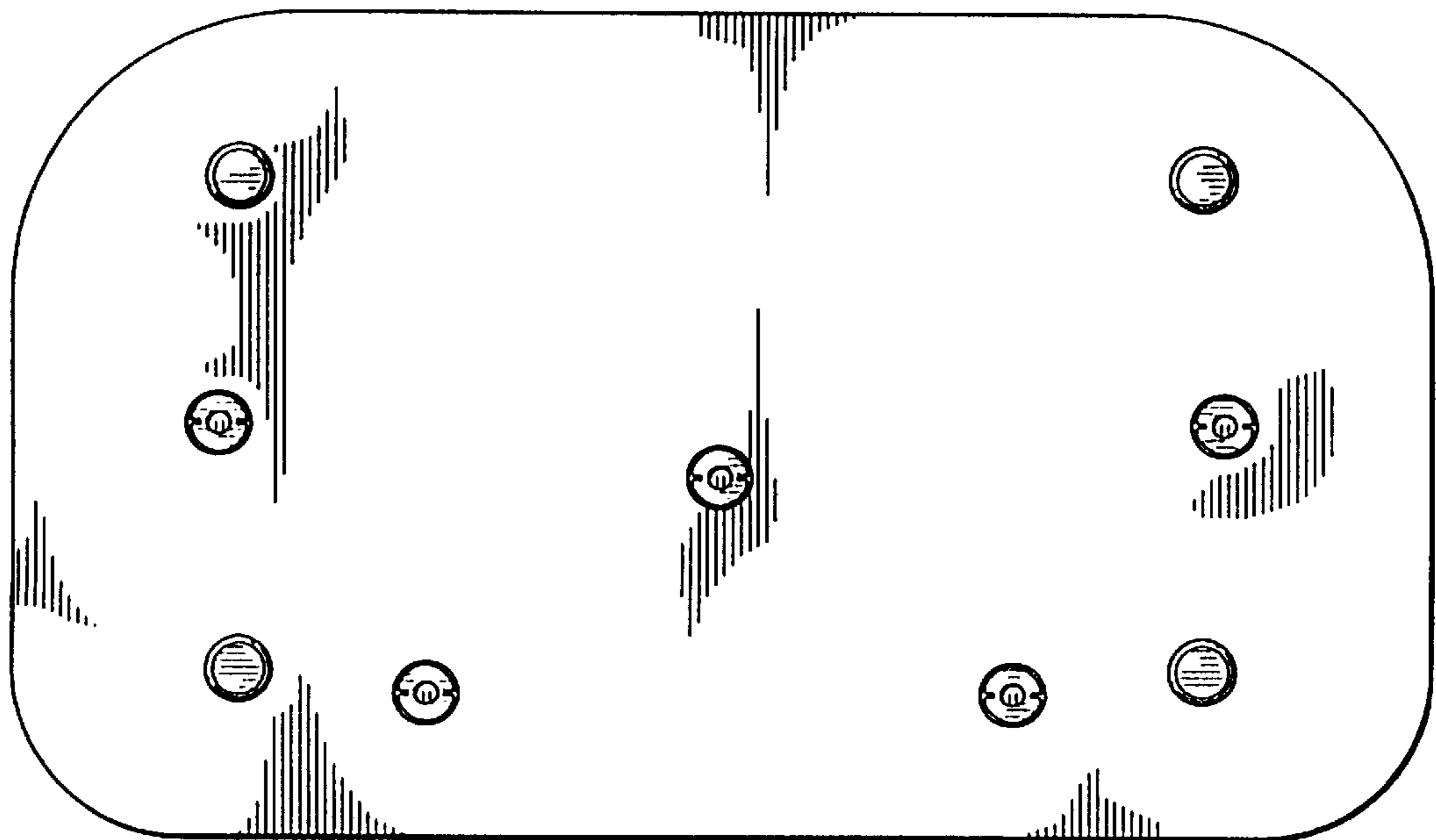
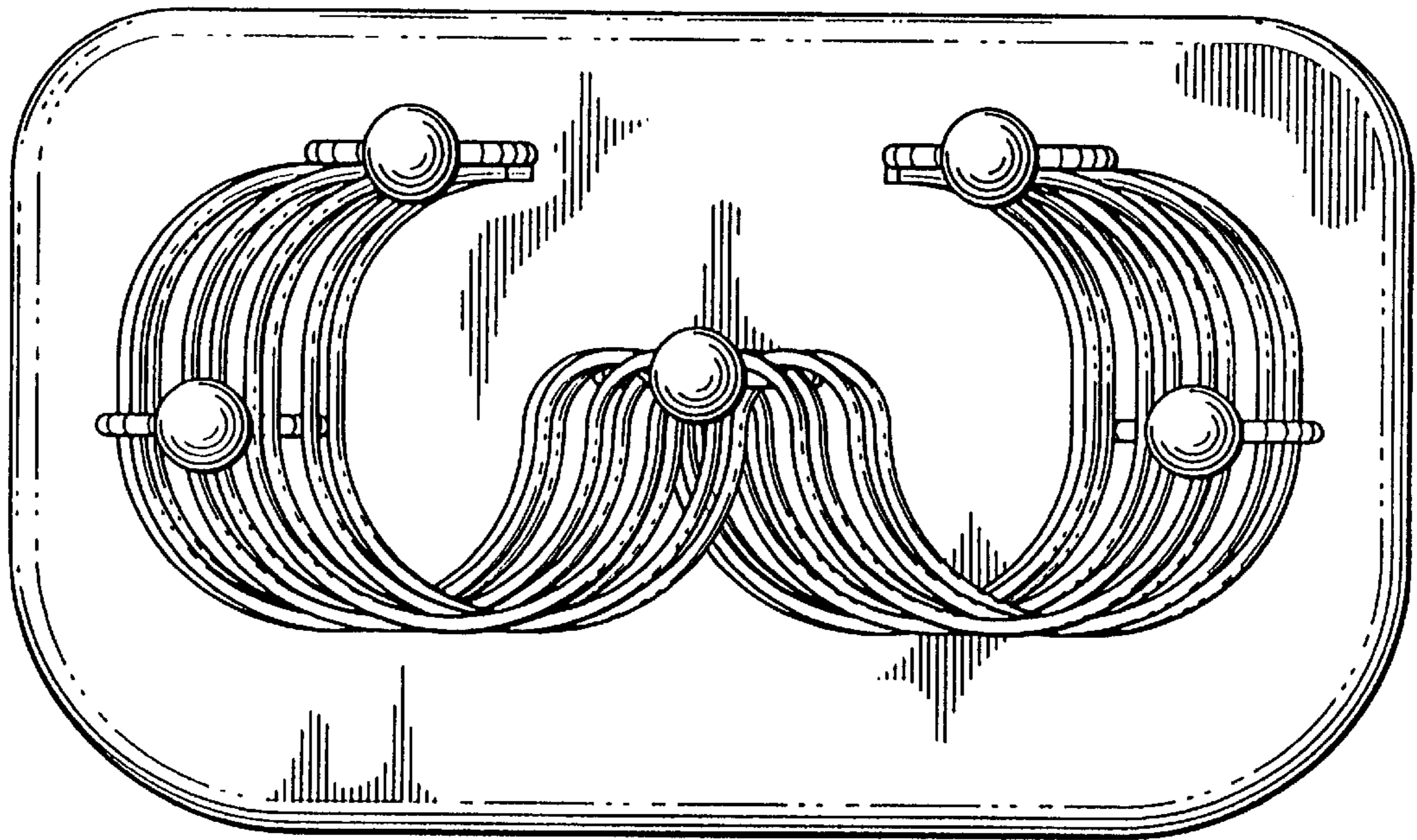


FIG. 14