



US00D430441S

United States Patent [19]
Rosenberg

[11] **Patent Number: Des. 430,441**
[45] **Date of Patent: ** Sep. 5, 2000**

[54] **DOUBLE POT HOLDER FOR HANGING ON A FLAT RAIL**

D. 365,481 12/1995 McKeon D6/513
D. 405,289 2/1999 Rosenberg D6/566 X

[75] Inventor: **Debbie Rosenberg**, New City, N.Y.

Primary Examiner—Brian N. Vinson
Attorney, Agent, or Firm—Hedman, Gibson & Costigan, P.C.

[73] Assignee: **American Tack & Hardware Co., Inc.**, Monsey, N.Y.

[**] Term: **14 Years**

[57] **CLAIM**

The ornamental design for a double pot holder for hanging on a flat rail, as shown and described.

[21] Appl. No.: **29/118,052**

[22] Filed: **Feb. 3, 2000**

DESCRIPTION

[51] **LOC (7) Cl.** **06-04**

[52] **U.S. Cl.** **D6/566; D6/513**

[58] **Field of Search** D6/566, 513, 514,
D6/403; 211/13.1, 71, 74-75, 86-87, 89,
113, 126.1, 181.1

FIG. 1 is a perspective view from slightly above on the front right side of flower pot holder according to my design;
FIG. 2 is a left side view of my design;
FIG. 3 is a top view of my design;
FIG. 4 is a front view of my design;
FIG. 5 is a back view of my design; and,
FIG. 6 is a bottom view of my design.

[56] **References Cited**

U.S. PATENT DOCUMENTS

D. 338,122 8/1993 Emalfarb D6/513

1 Claim, 4 Drawing Sheets

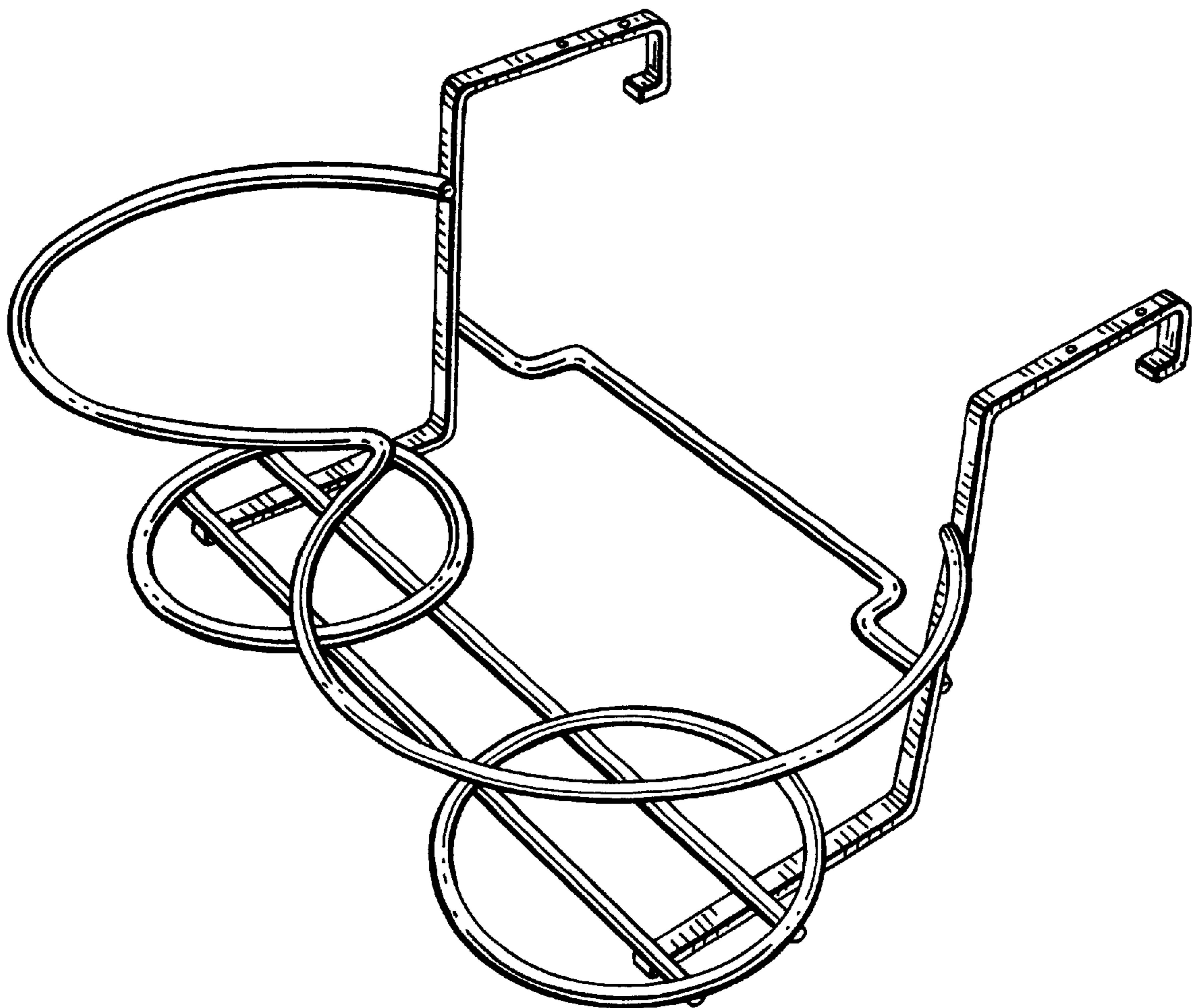


FIG. 1

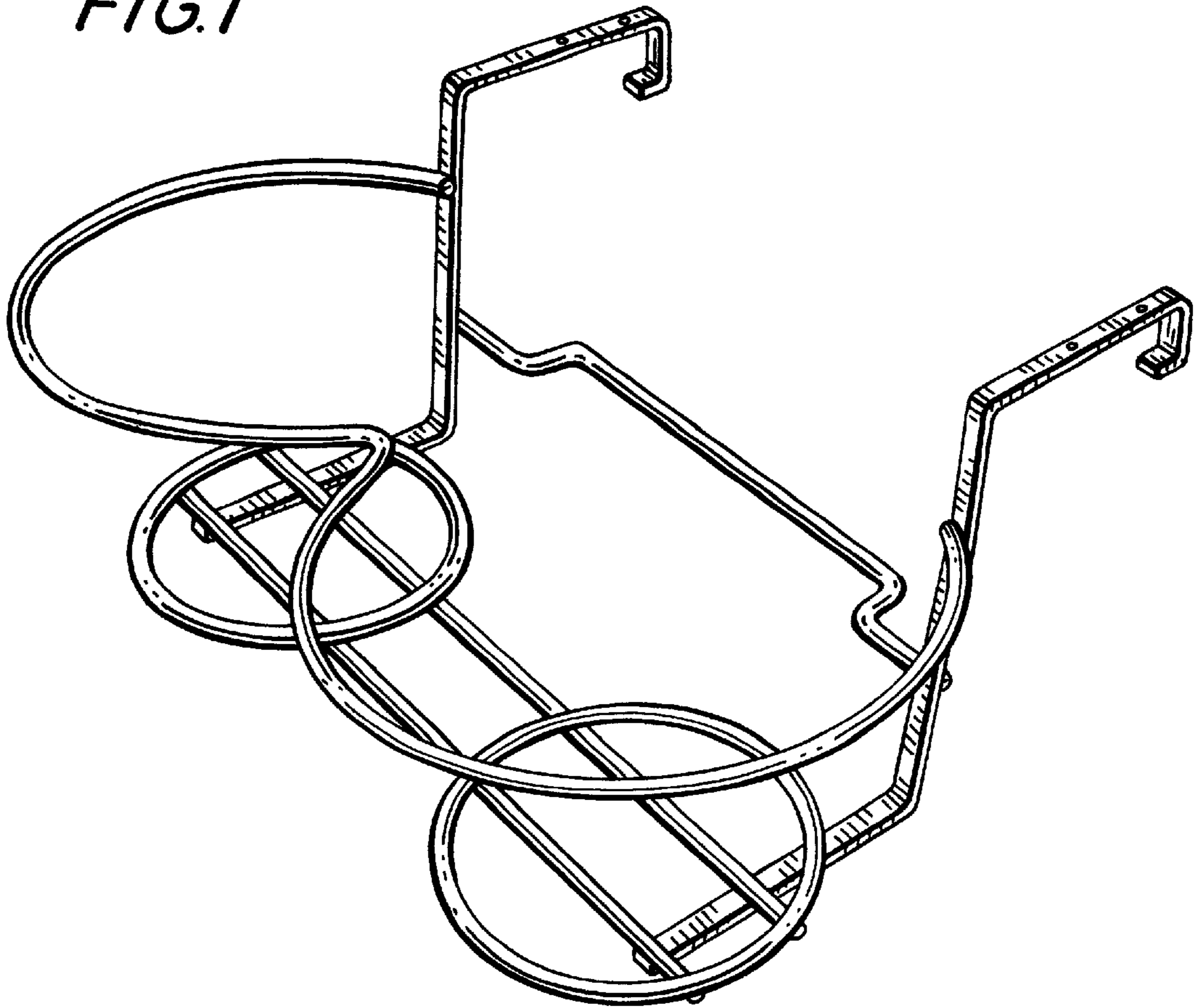


FIG. 2

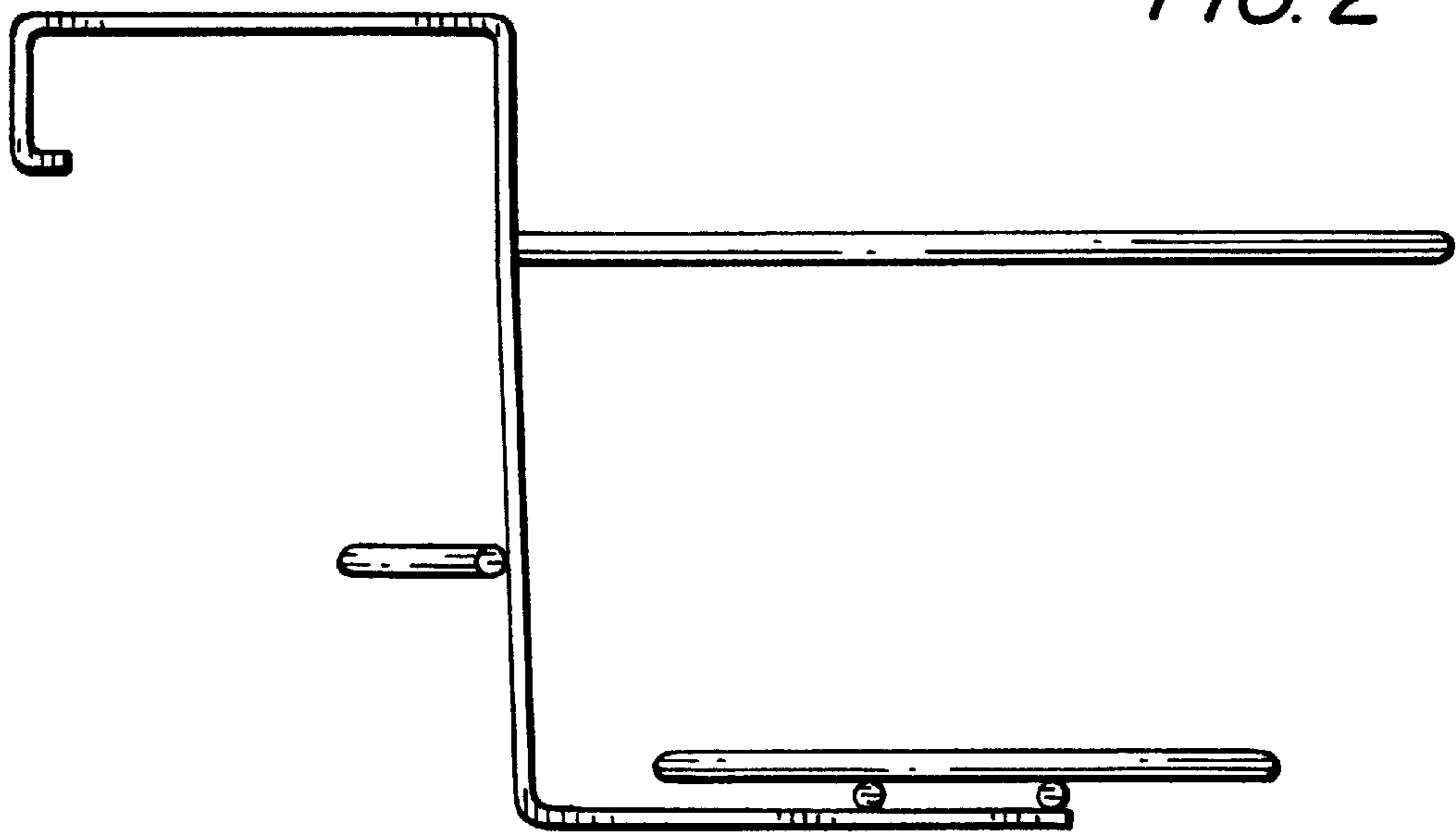
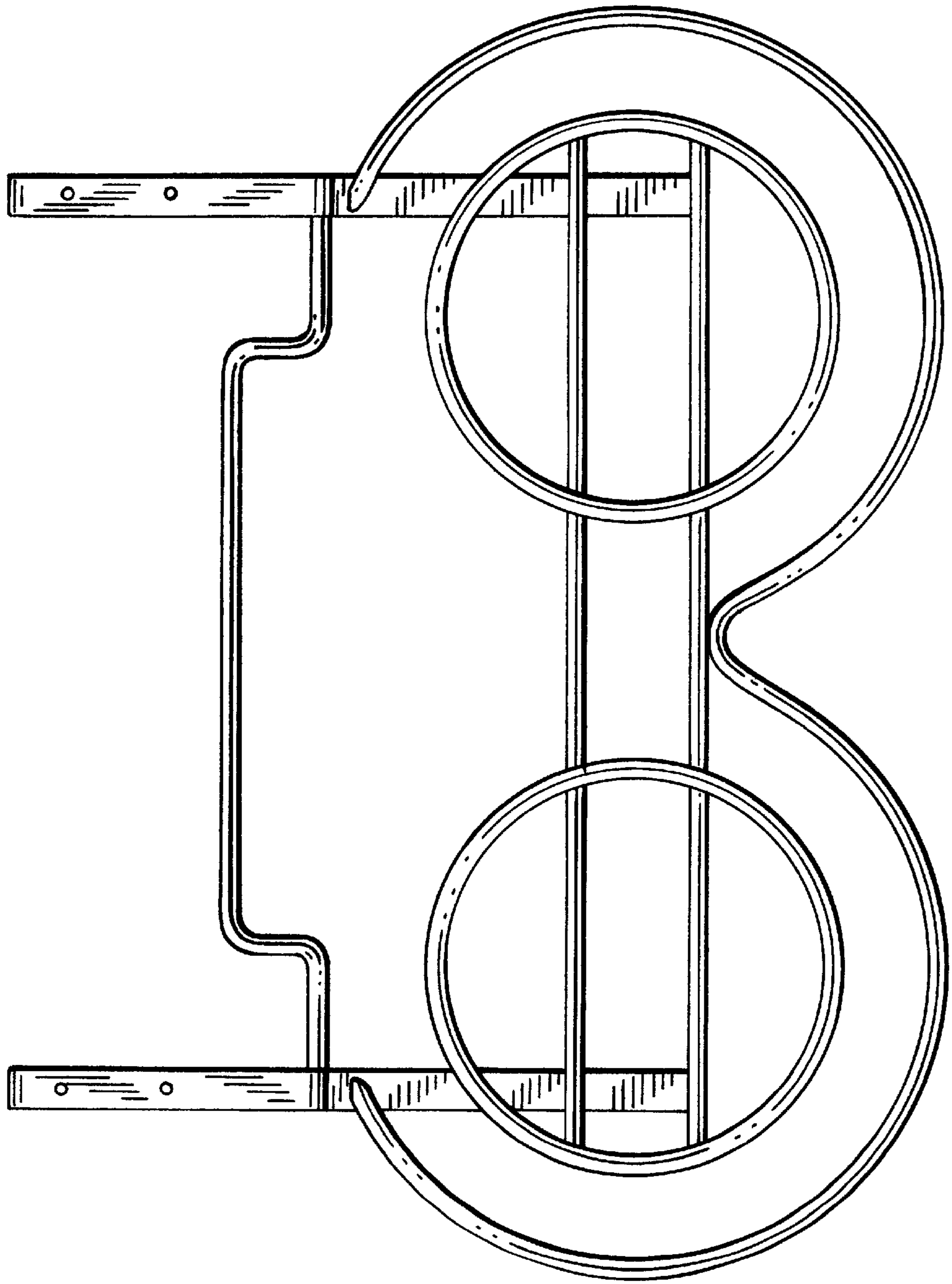


FIG. 3



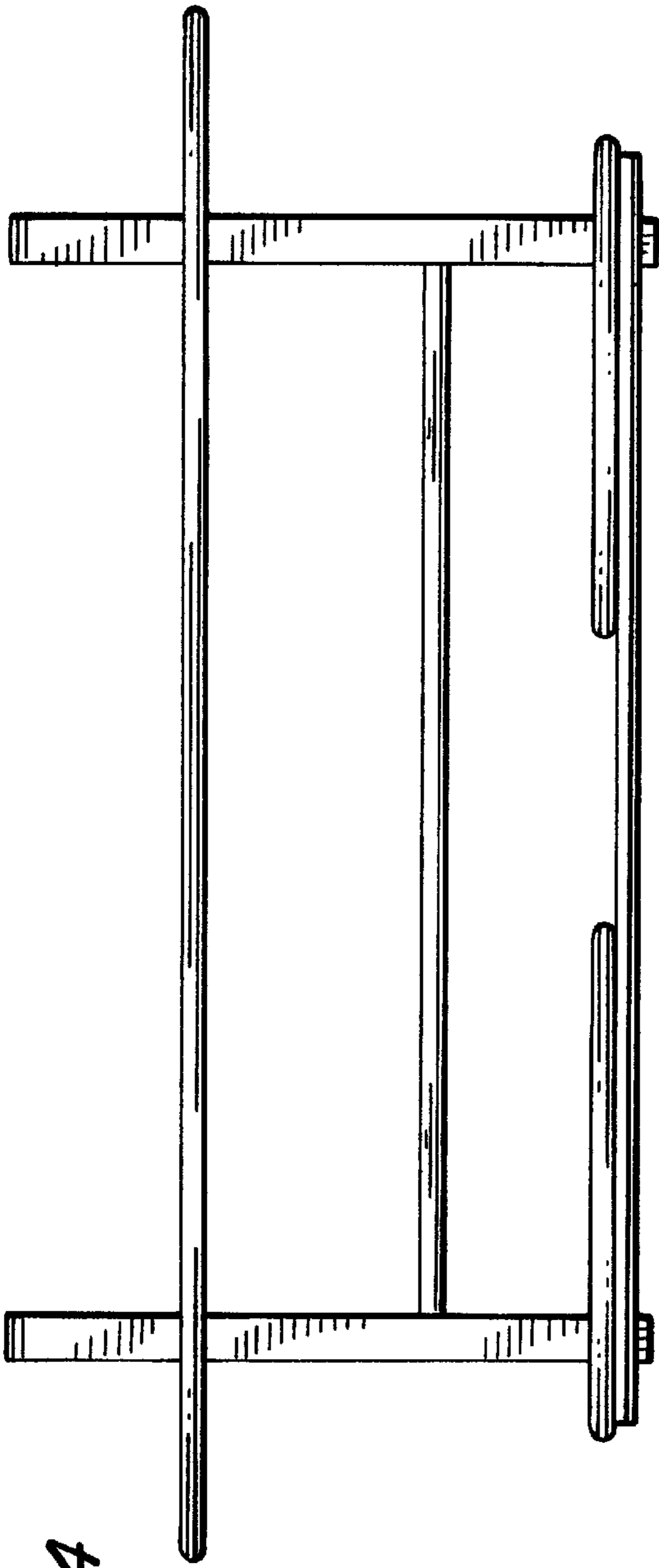


FIG. 4

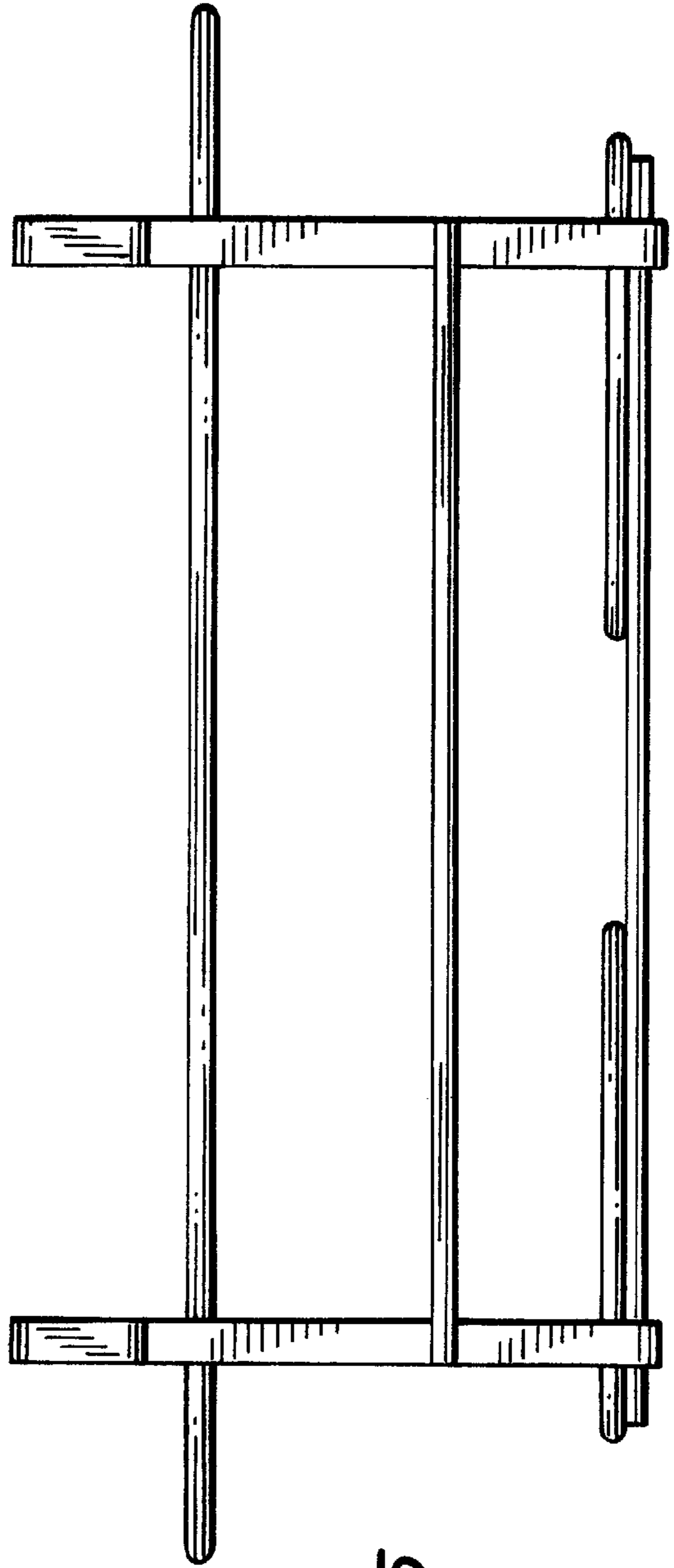


FIG. 5

FIG. 6

