



US00D430440S

United States Patent [19]

Kuo

[11] **Patent Number: Des. 430,440**

[45] **Date of Patent: ** Sep. 5, 2000**

[54] **SOAP HOLDER**

[76] Inventor: **Kuo-Yung Kuo**, No. 1, Alley 85, Lane 816, Chung-Shan Rd., Shen-Kang Hsiang, Taichung Hsien, Taiwan

[**] Term: **14 Years**

[21] Appl. No.: **29/116,783**

[22] Filed: **Jan. 10, 2000**

[51] **LOC (7) Cl.** **23-02**

[52] **U.S. Cl.** **D6/540**

[58] **Field of Search** D6/536, 540, 529, D6/532; 211/13.1, 82-88, 126, 134, 181.1; 248/309.5; 202/77.1

[56] **References Cited**

U.S. PATENT DOCUMENTS

- D. 332,637 1/1993 McKeone et al. D6/540
- D. 346,928 5/1994 Shames et al. D6/540
- D. 356,708 3/1995 Shames et al. D6/540

- D. 358,518 5/1995 Sharpe D6/540
- D. 390,393 2/1998 Sharpe D6/540

Primary Examiner—Brian N. Vinson
Attorney, Agent, or Firm—Skjerven, Morrill, MacPherson, Franklin & Friel LLP; Alan H. MacPherson

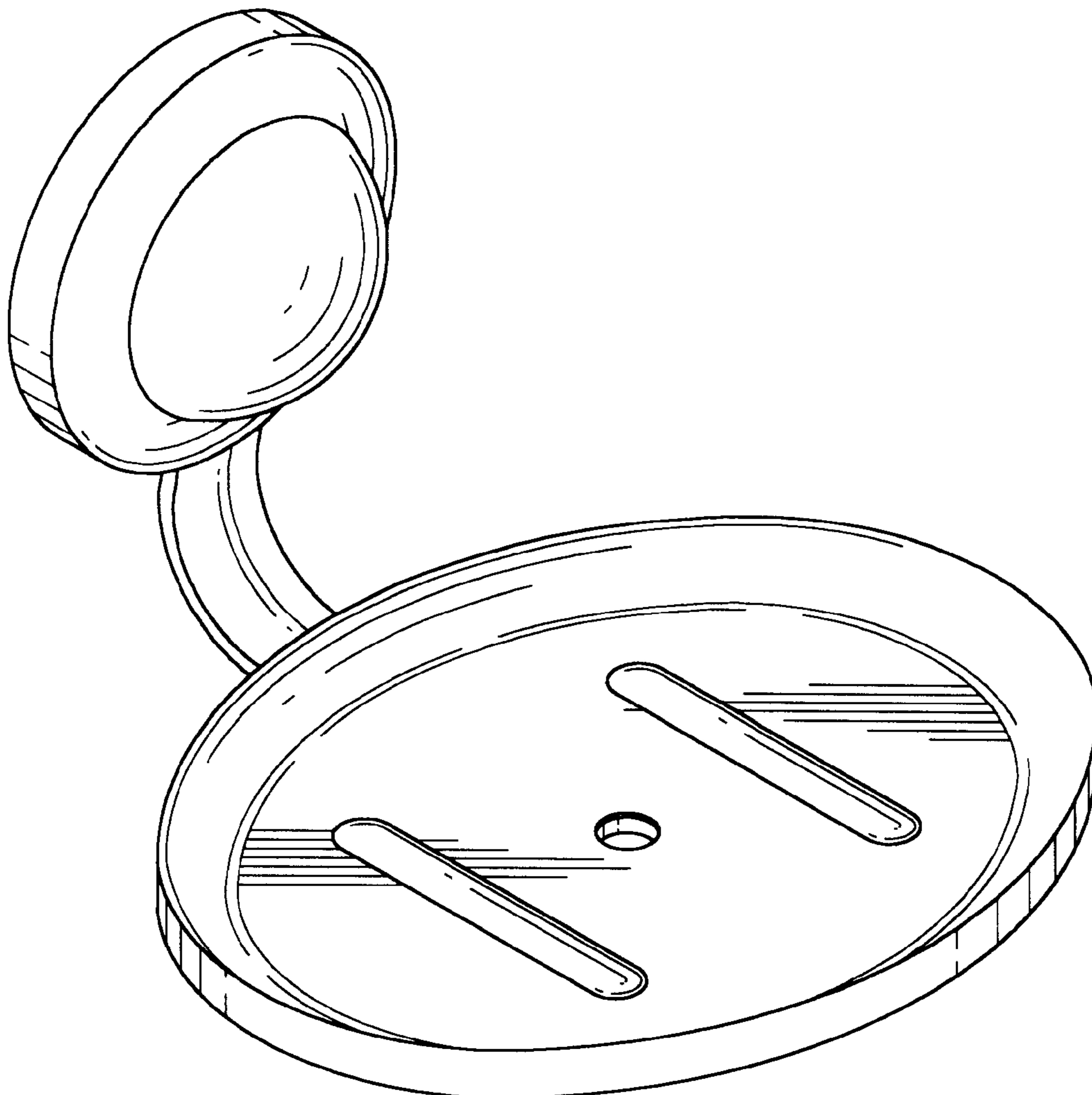
[57] **CLAIM**

The ornamental design for soap holder, as shown and described.

DESCRIPTION

FIG. 1 is a perspective view of soap holder showing my new design;
FIG. 2 is a front elevational view thereof;
FIG. 3 is a rear elevational view thereof;
FIG. 4 is a left side elevational view thereof;
FIG. 5 is a right side elevational view thereof;
FIG. 6 is a top plan view thereof; and,
FIG. 7 is a bottom plan view thereof.

1 Claim, 4 Drawing Sheets



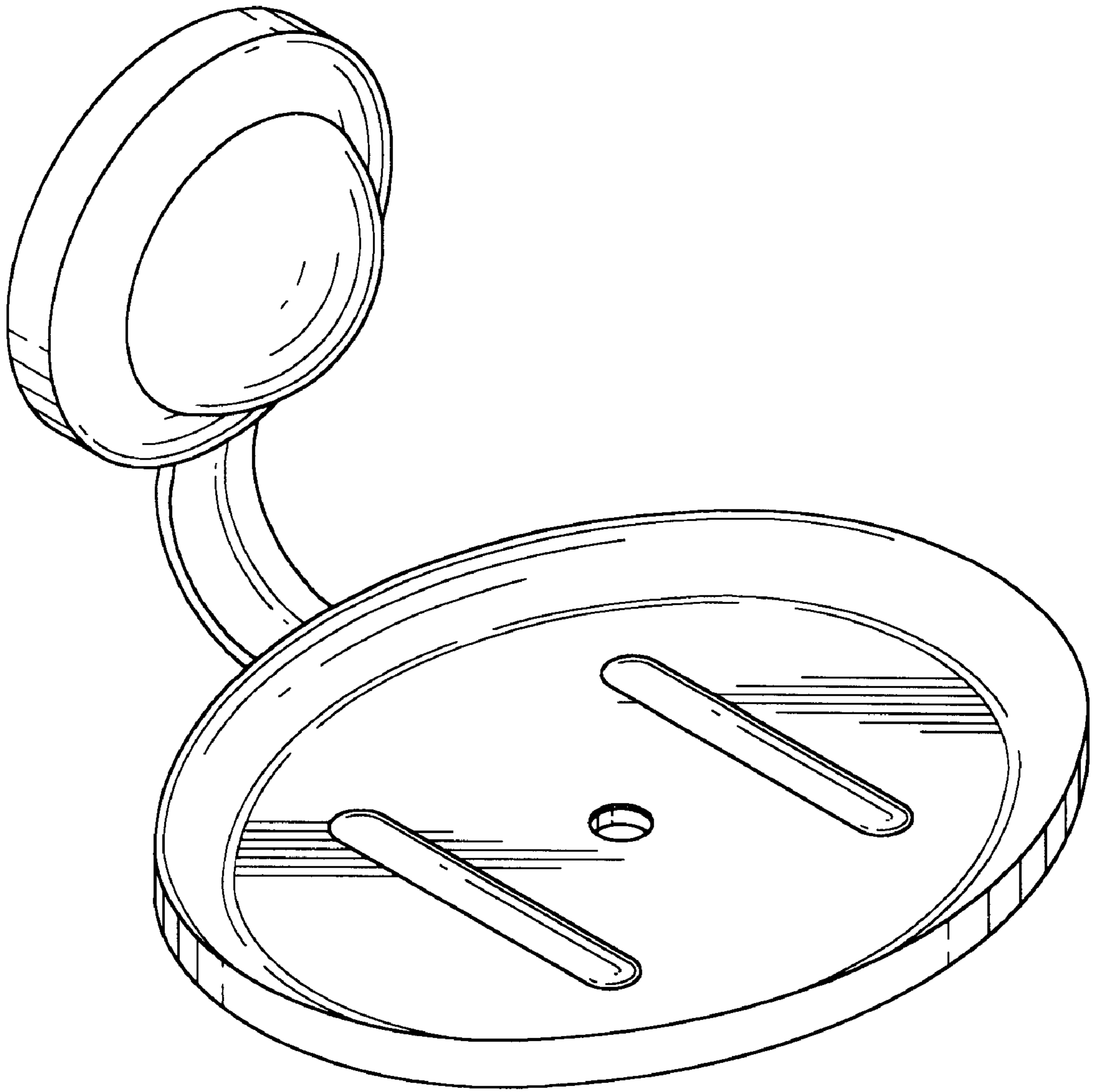


FIG. 1

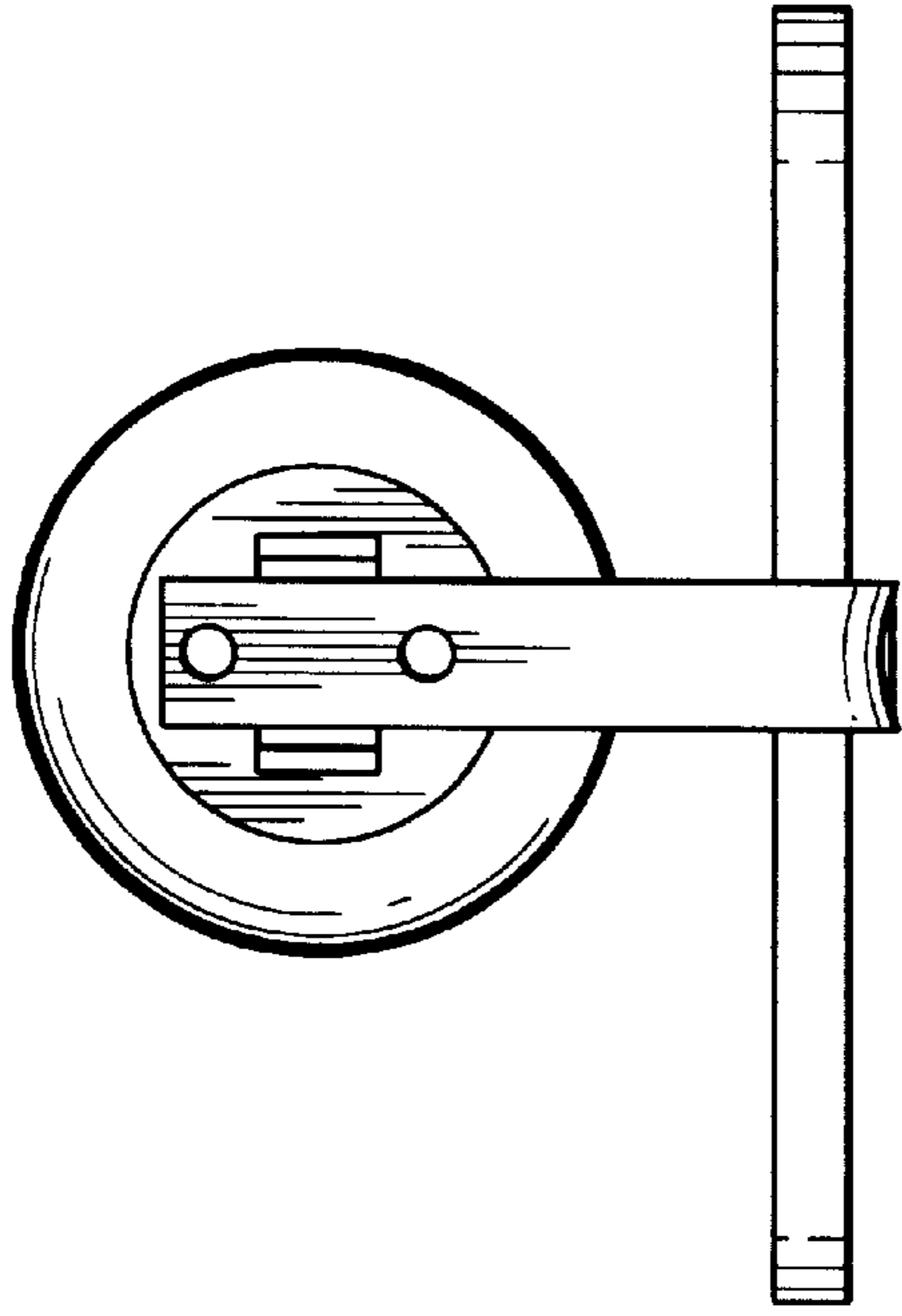


FIG. 3

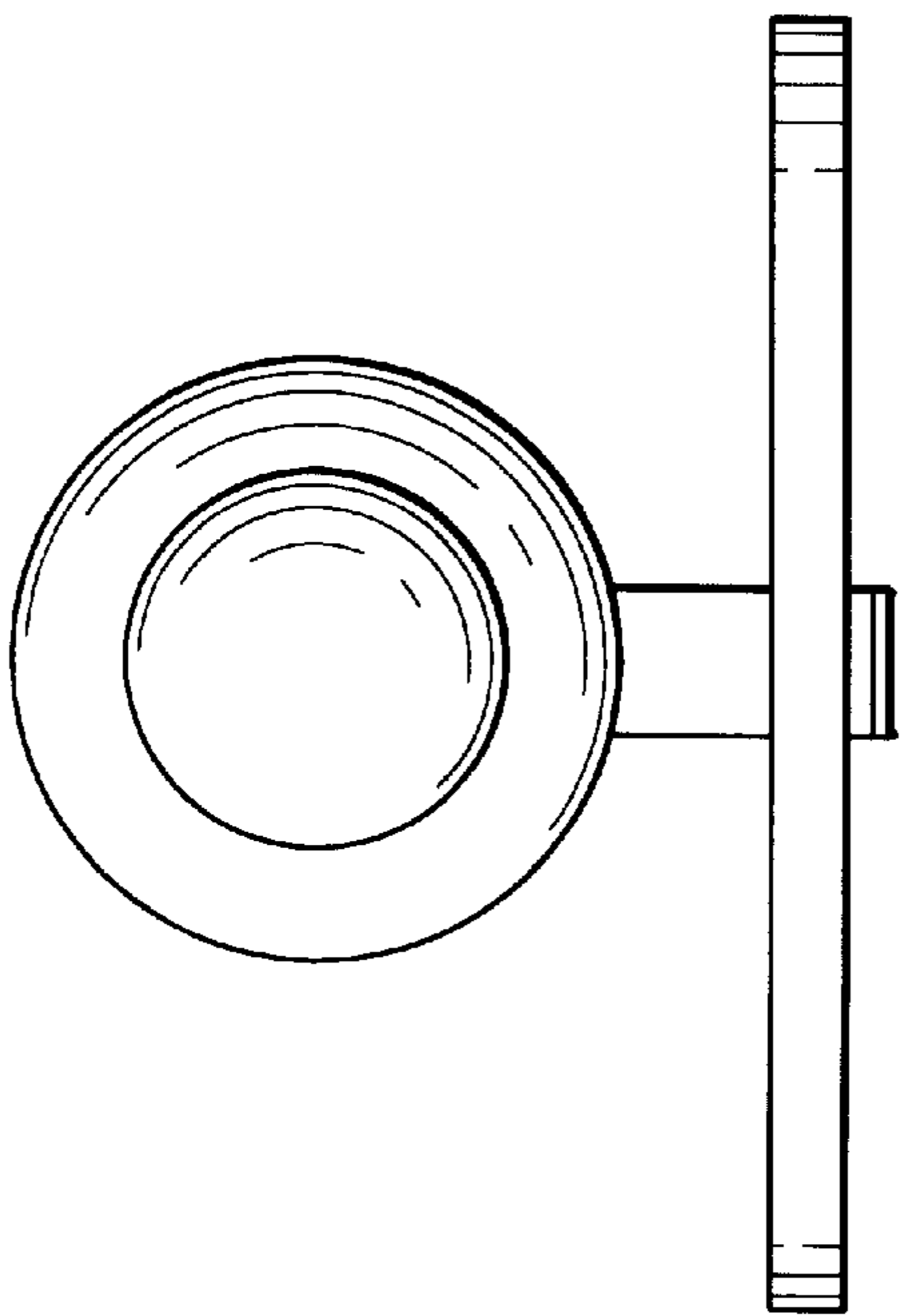


FIG. 2

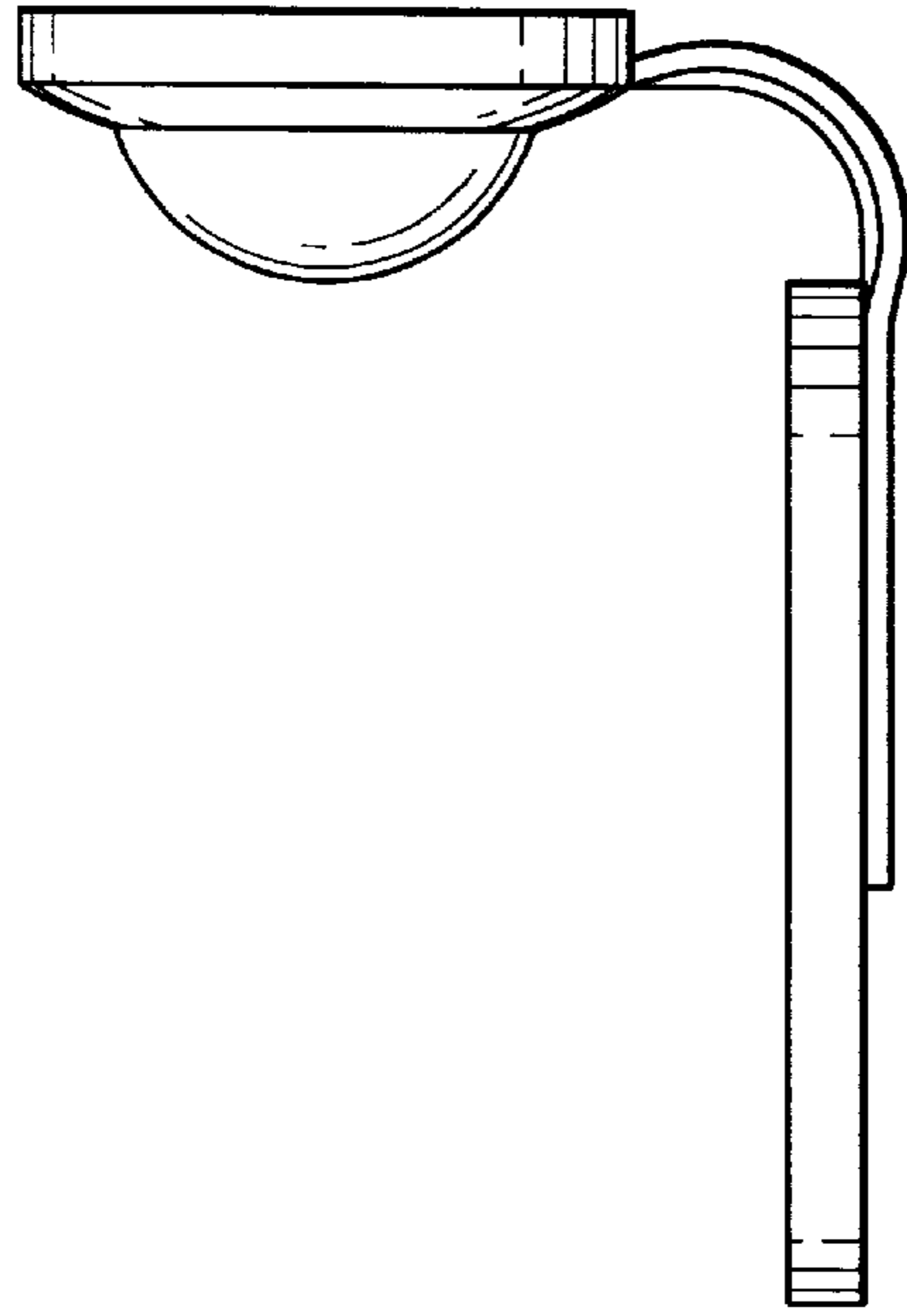


FIG. 5

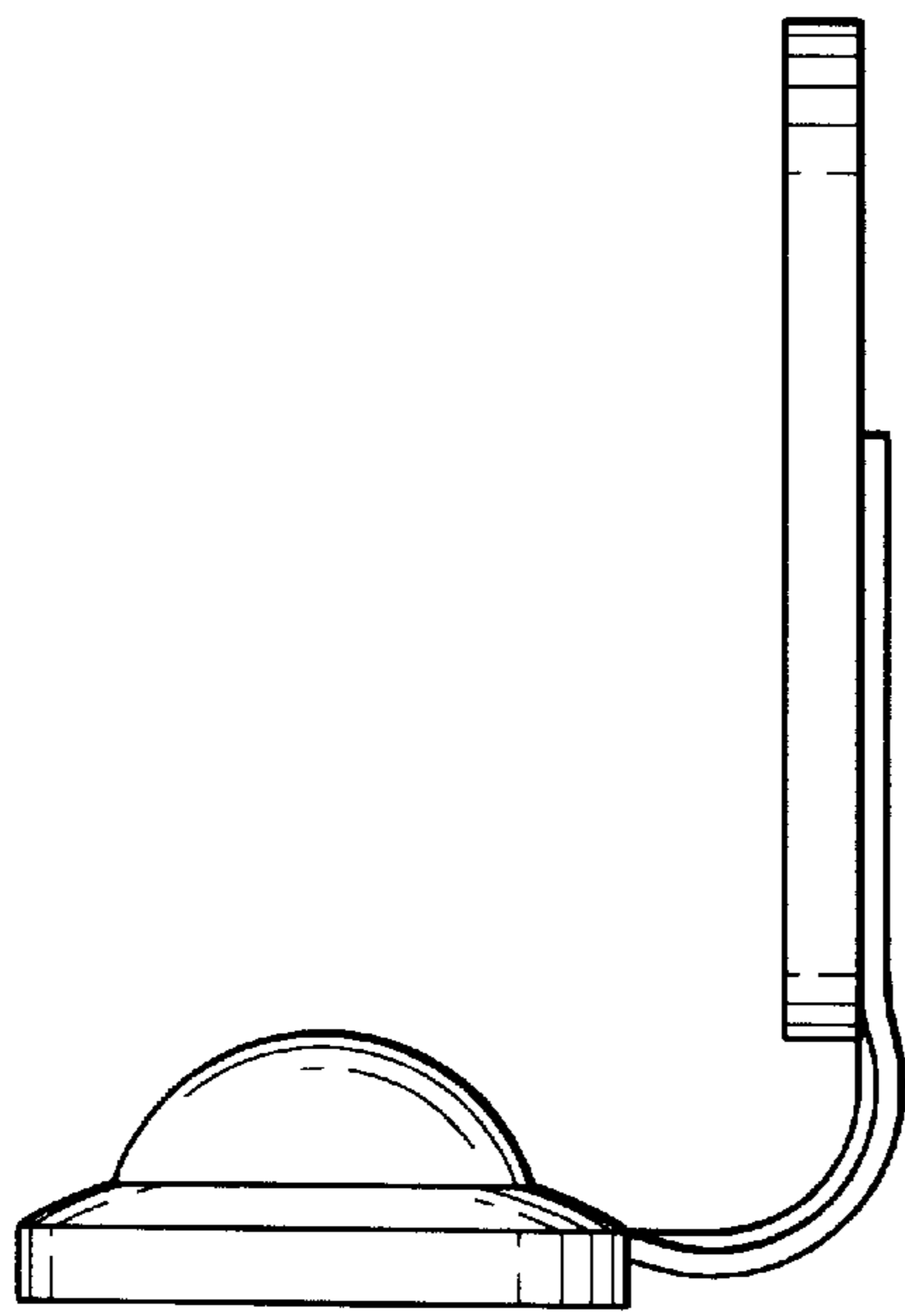


FIG. 4

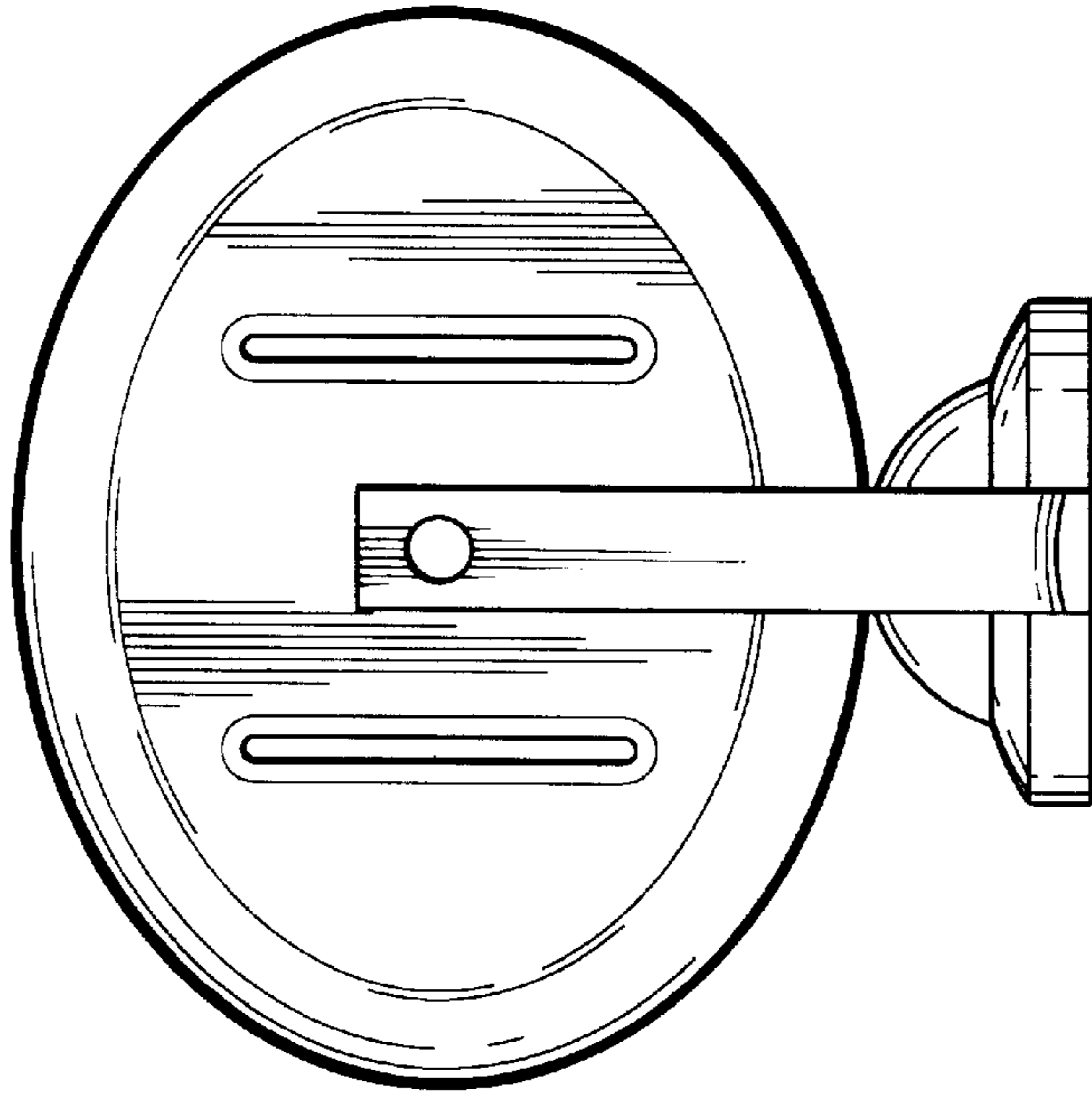


FIG. 7

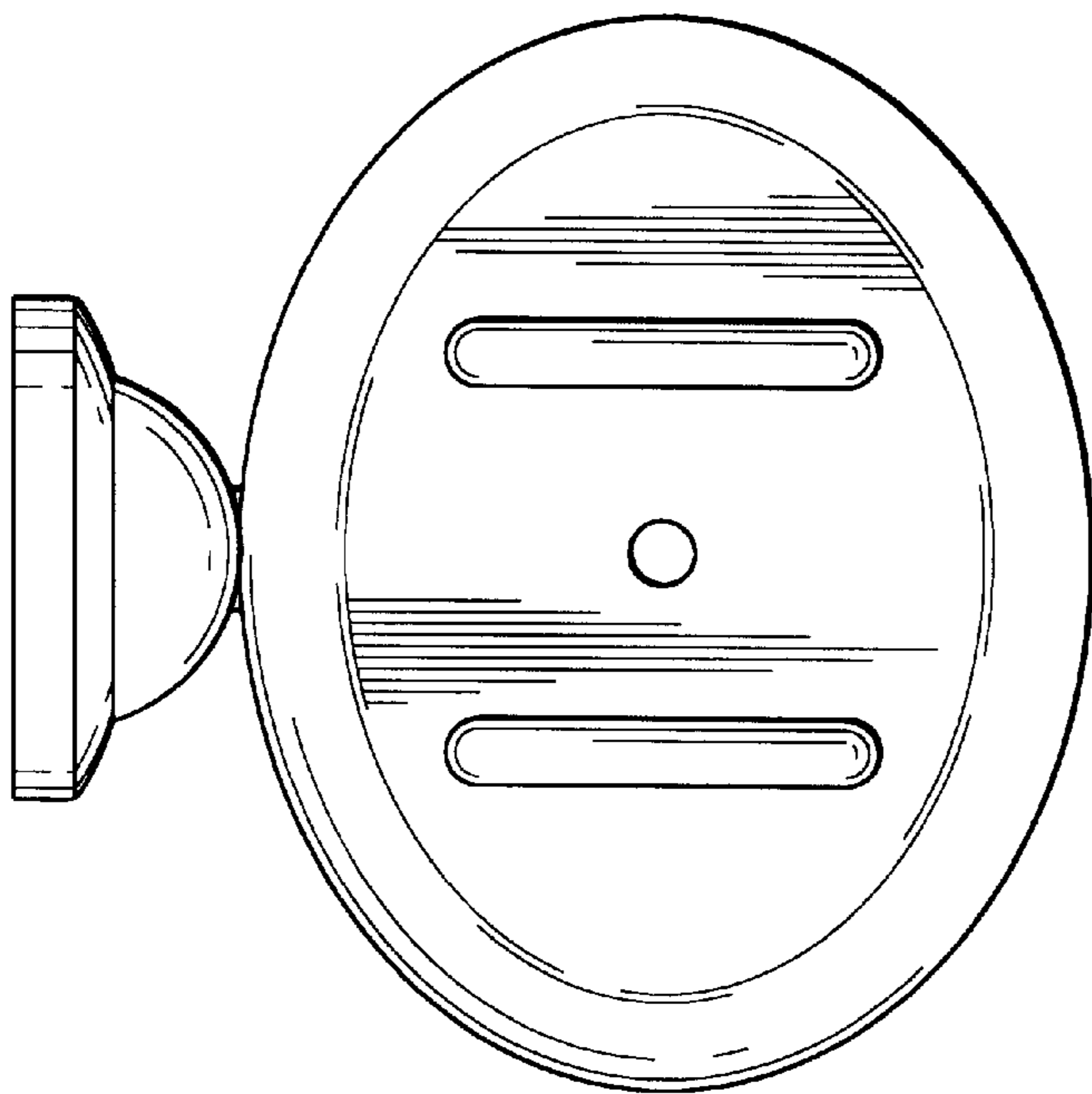


FIG. 6