



US00D430439S

United States Patent [19]
Jackson

[11] **Patent Number: Des. 430,439**

[45] **Date of Patent: ** Sep. 5, 2000**

[54] **COMBINED TOOTHPASTE DISPENSER AND TOOTHBRUSH HOLDER**

4,010,871 3/1977 Broadie 222/101

Primary Examiner—Brian N. Vinson

[76] Inventor: **Reggie L Jackson**, 186 N. Maple, Colville, Wash. 99114

[57] **CLAIM**

[**] Term: **14 Years**

The ornamental design for a combined toothpaste dispenser and toothbrush holder, as shown and described.

[21] Appl. No.: **29/104,610**

DESCRIPTION

[22] Filed: **May 6, 1999**

FIG. 1 is a front elevational view of the combined toothpaste dispenser and toothbrush holder of the present invention; FIG. 2 is a left side elevational view of the combined toothpaste dispenser and toothbrush holder of FIG. 1, the right side elevational view being a mirror image thereof; FIG. 3 is a top plan view of the combined toothpaste dispenser and toothbrush holder of FIG. 1; and, FIG. 4 is a bottom plan view of the combined toothpaste dispenser and toothbrush holder of FIG. 1.

[51] **LOC (7) Cl.** **23-02**

[52] **U.S. Cl.** **D6/530; D6/541**

[58] **Field of Search** D6/527, 528, 530, D6/534, 541, 542; 222/101, 103, 105; 206/277, 309.1, 362.1, 362.2, 362.3; 248/309.1, 100

The rear of the combined toothpaste dispenser and toothbrush holder is flat and unornamented.

[56] **References Cited**

U.S. PATENT DOCUMENTS

- D. 217,263 4/1970 Manning D6/528
- D. 340,161 10/1993 Regidor D6/530 X
- 2,906,479 9/1959 Strachan 222/101 X

1 Claim, 2 Drawing Sheets

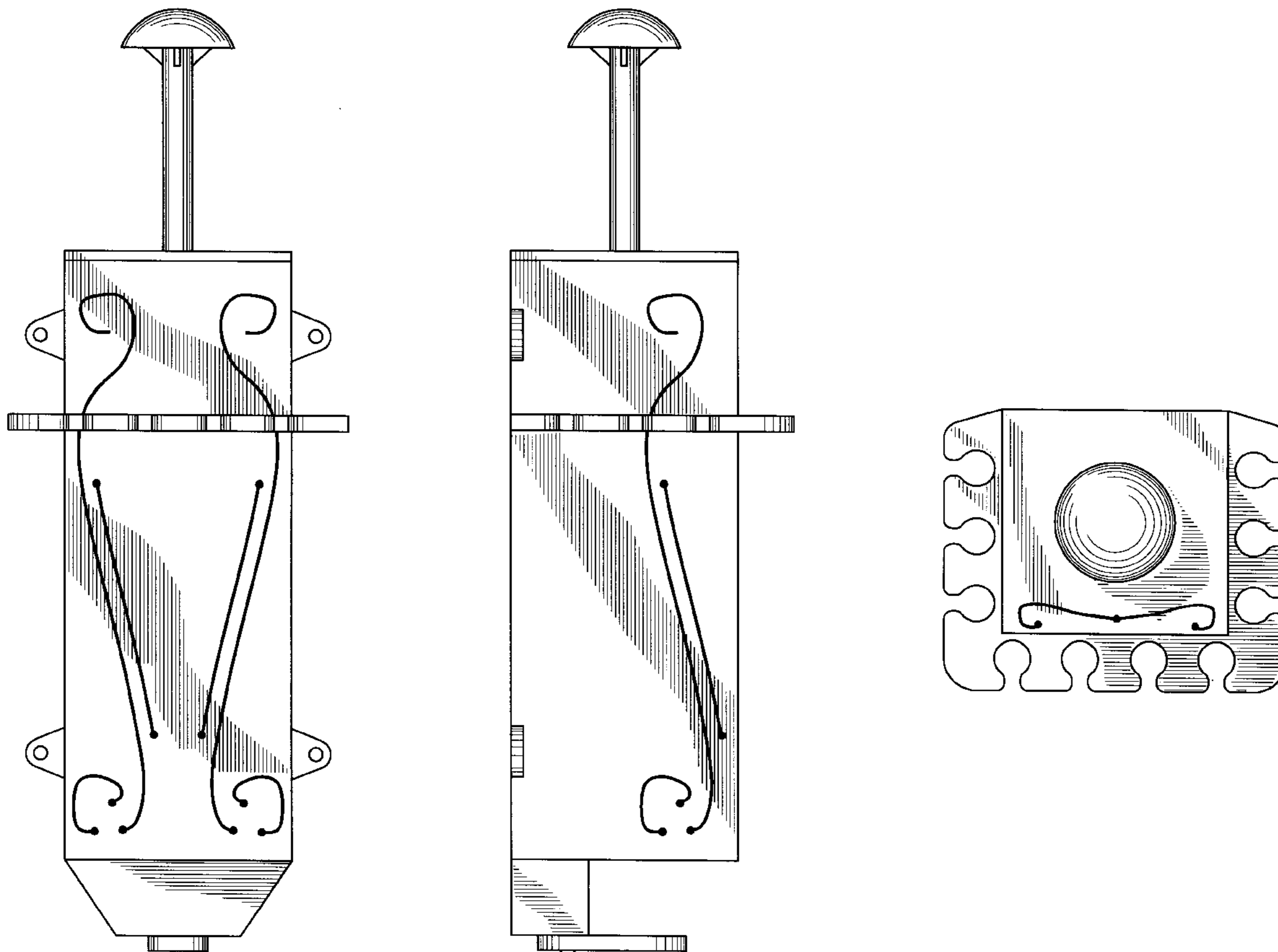


FIG. 2

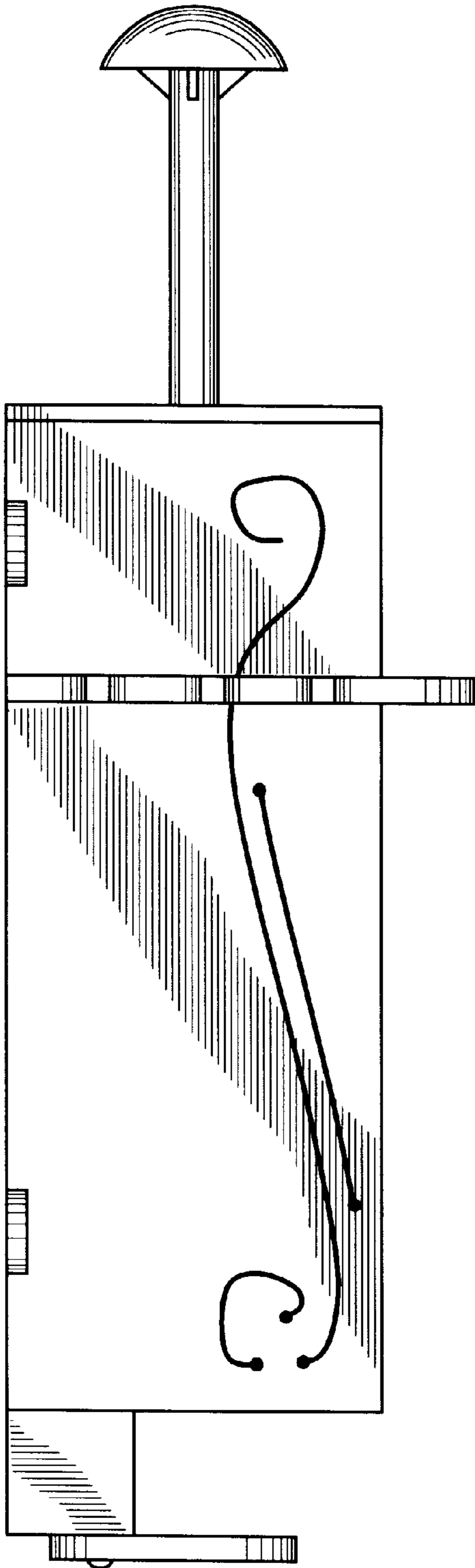


FIG. 1

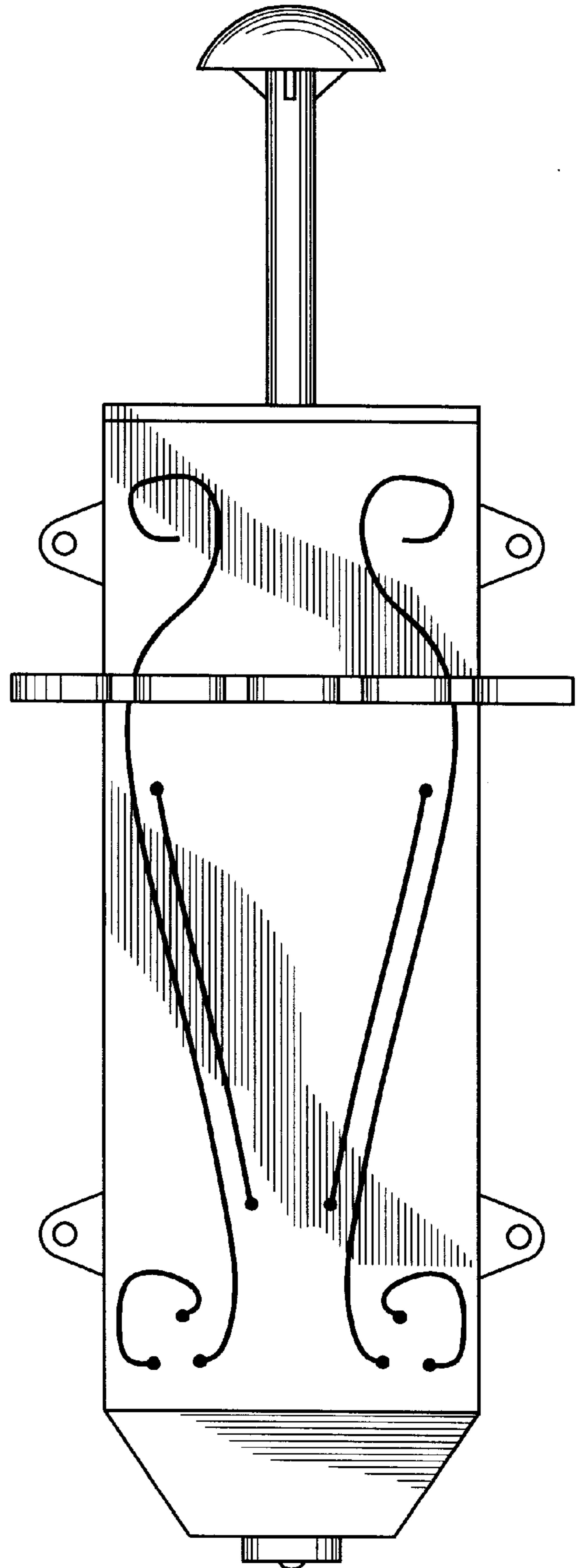


FIG. 3

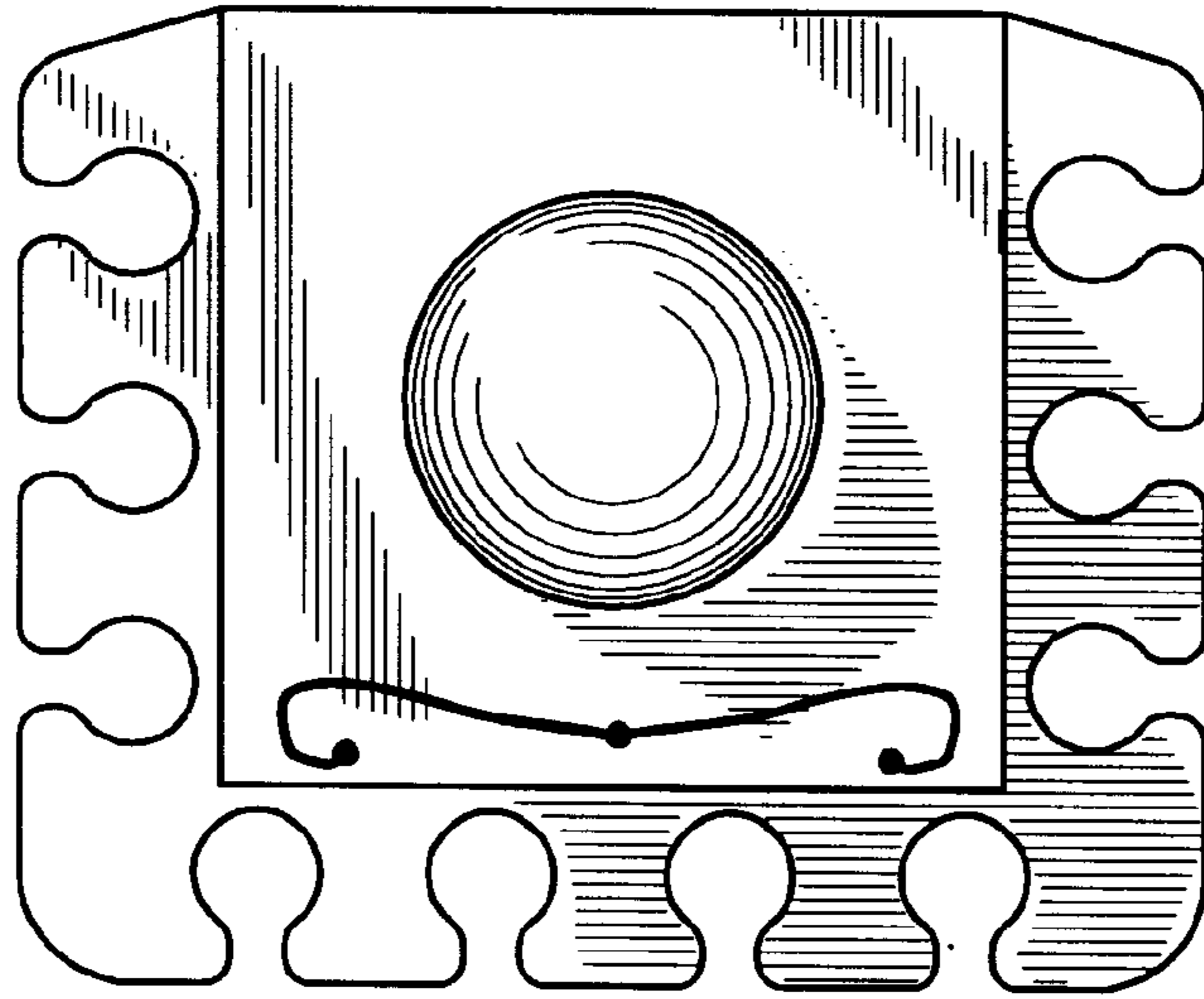


FIG. 4

