

US00D430437S

United States Patent [19]

Shimbo et al.

[11] Patent Number: Des. 430,437

[45] Date of Patent: ** Sep. 5, 2000

[54] **DISPENSER FOR PLATE GUMS OR THE LIKE**

[75] Inventors: Masao Shimbo; Shoji Kobayashi, both of Kashiwazaki, Japan

[73] Assignee: Bourbon Corporation, Niigata-ken, Japan

[**] Term: 14 Years

[21] Appl. No.: 29/103,925

[22] Filed: Apr. 26, 1999

[51] LOC (7) Cl. 20-02

[52] U.S. Cl. D6/515

[58] Field of Search D6/515, 517; D3/201; 206/38, 449, 37, 39, 39.4, 802; D9/414, 418, 499

[56] **References Cited**

U.S. PATENT DOCUMENTS

D. 332,347	1/1993	Raadt et al.	D9/414 X
D. 339,943	10/1993	Romme et al.	D6/515
D. 403,188	12/1998	Kansco	D6/515
D. 415,424	10/1999	Hill	D6/515 X
1,155,791	10/1915	Cabell	206/37
2,197,219	4/1940	Groshong	206/37 X
4,170,914	10/1979	Carrier .	
4,465,208	8/1984	Buban et al. .	
5,353,956	10/1994	Wilson .	
5,370,219	12/1994	Violett, Jr.	206/37 X
5,649,642	7/1997	Mabry et al. .	

FOREIGN PATENT DOCUMENTS

741062	2/1995	Japan .
8282748	10/1996	Japan .

OTHER PUBLICATIONS

Bourbon Strong Punch, pamphlet distributed in May 1997.

Primary Examiner—Brian N. Vinson
Attorney, Agent, or Firm—Birch, Stewart, Kolasch & Birch, LLP

[57] **CLAIM**

The ornamental design for a dispenser for plate gums or the like, as shown and described.

DESCRIPTION

FIG. 1 is a top, front, and left side perspective view of a dispenser for plate gums or the like showing a first embodiment of our new design;

FIG. 2 is a right side elevational view thereof;

FIG. 3 is a left side elevational view thereof;

FIG. 4 is a front elevational view thereof;

FIG. 5 is a rear elevational view thereof;

FIG. 6 is a top plan view thereof;

FIG. 7 is a bottom plan view thereof;

FIG. 8 is a vertical cross-sectional view thereof, taken along line 8—8 of FIG. 6;

FIG. 9 is a vertical cross-sectional view thereof, taken along line 9—9 of FIG. 6;

FIG. 10 is a top plan view of the dispenser shown prior to assembly;

FIG. 11 is a top plan view of the dispenser shown prior to assembly with lines for folding included;

FIG. 12 is a top, front, and left side perspective view of a dispenser for plate gums or the like showing a second embodiment of our new design;

FIG. 13 is a right side elevational view thereof;

FIG. 14 is a left side elevational view thereof;

FIG. 15 is a front elevational view thereof;

FIG. 16 is a rear elevational view thereof;

FIG. 17 is a top plan view thereof;

FIG. 18 is a bottom plan view thereof;

FIG. 19 is a top plan view of the dispenser shown prior to assembly with lines for folding included;

FIG. 20 is a top, front, and left side perspective view of a dispenser for plate gums or the like showing a third embodiment of our new design;

FIG. 21 is a right side elevational view thereof;

FIG. 22 is a left side elevational view thereof;

FIG. 23 is a front elevational view thereof;

FIG. 24 is a rear elevational view thereof;

FIG. 25 is a top plan view thereof;

FIG. 26 is a bottom plan view thereof;

FIG. 27 is a top plan view of the dispenser shown prior to assembly with lines for folding included;

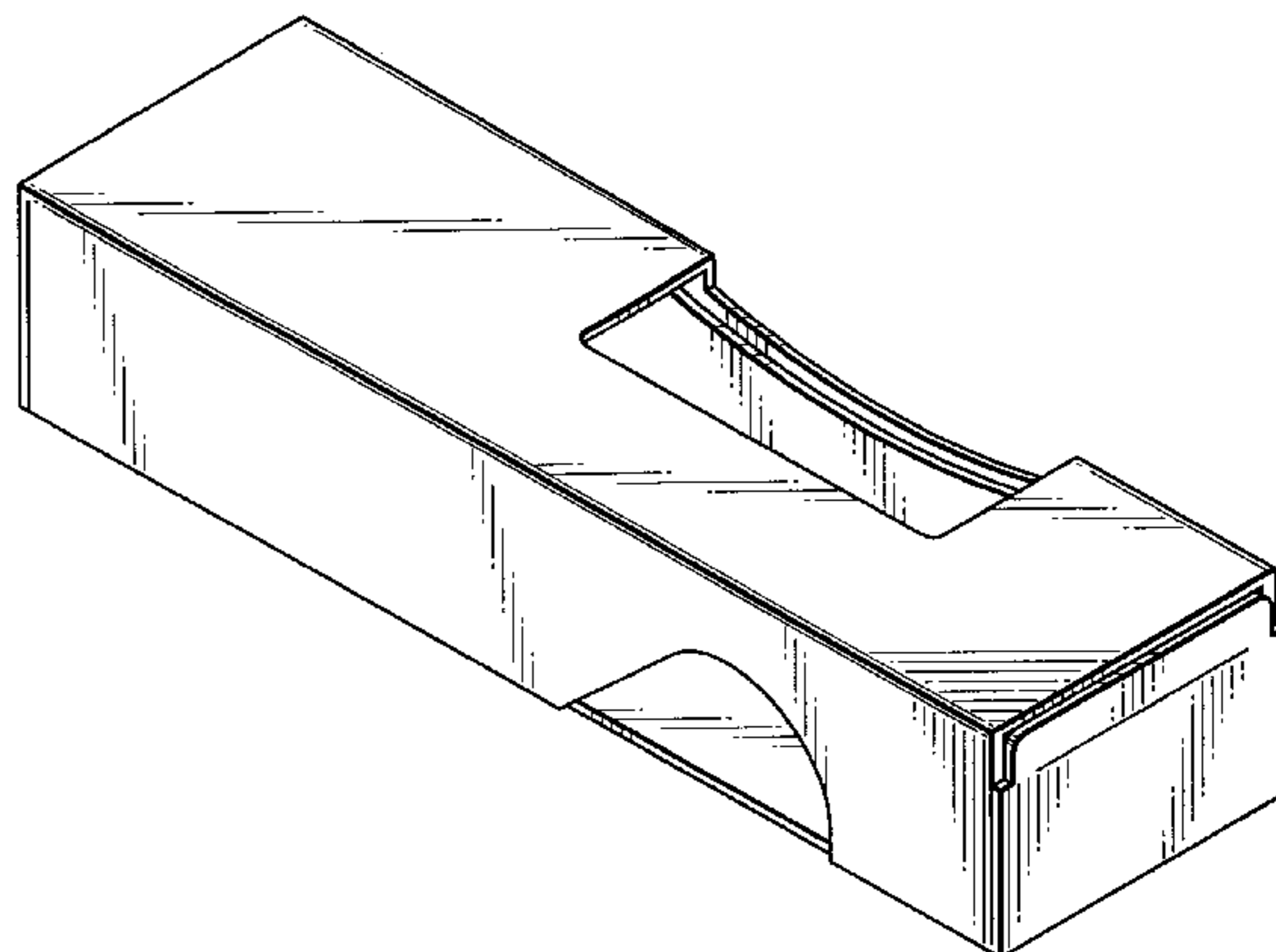
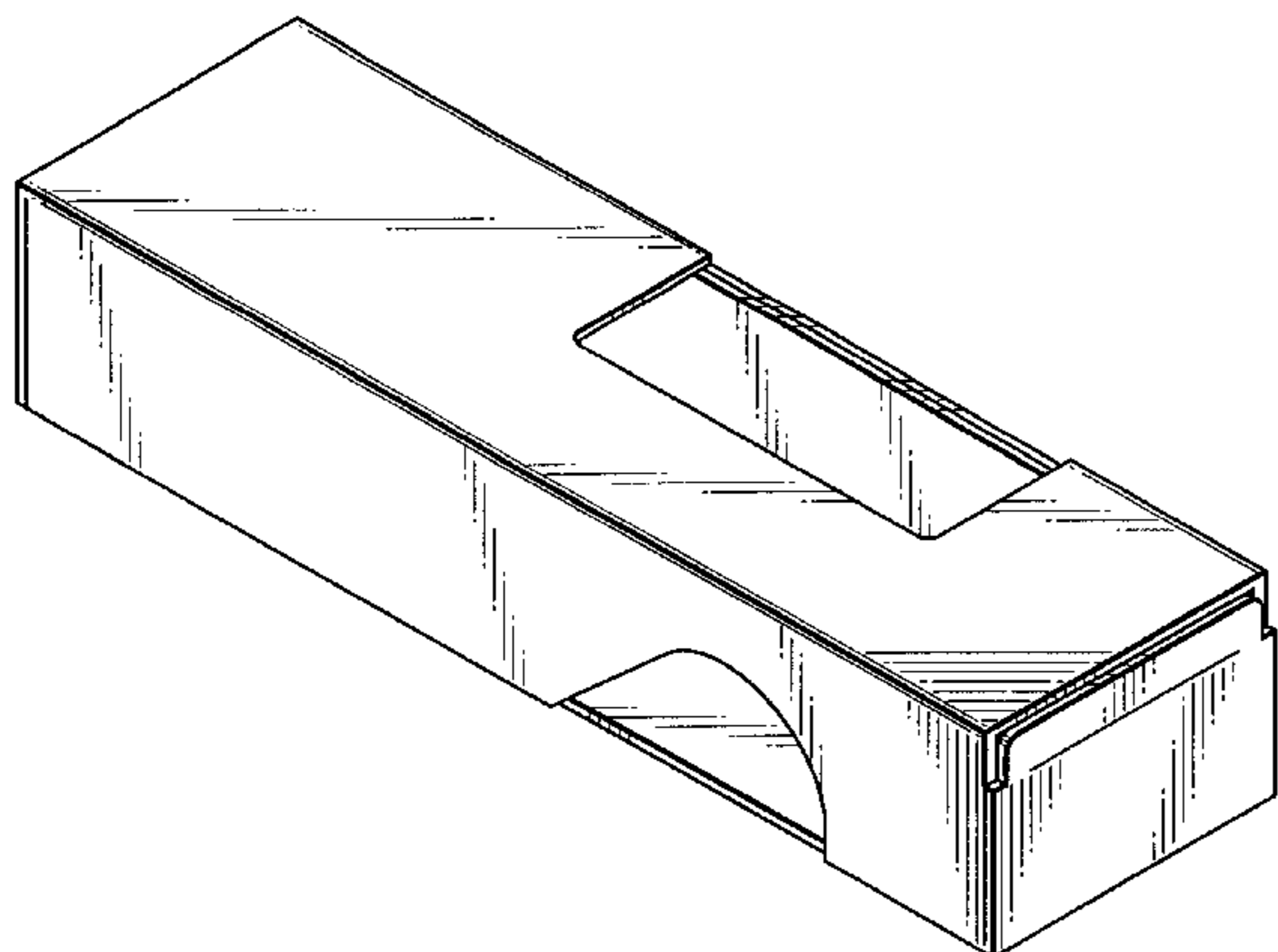


FIG. **28** is a top, front, and left side perspective view of a dispenser for plate gums or the like showing a fourth embodiment of our new design;

FIG. **29** is a bottom plan view thereof, the the left and right sides and rear being identical in appearance to the first embodiment;

FIG. **30** is a bottom plan view of a dispenser for plate gums or the like showing a fifth embodiment of our new design; the top, front, rear, left and right sides being identical in appearance to the first embodiment; and,

FIG. **31** is a fragmentary vertical cross-sectional view taken through the center of the first embodiment thereof, with the broken-line disclosure of a hand and plate gums being for illustrative purposes only and forming no part of the claimed design.

1 Claim, 9 Drawing Sheets

FIG. 1

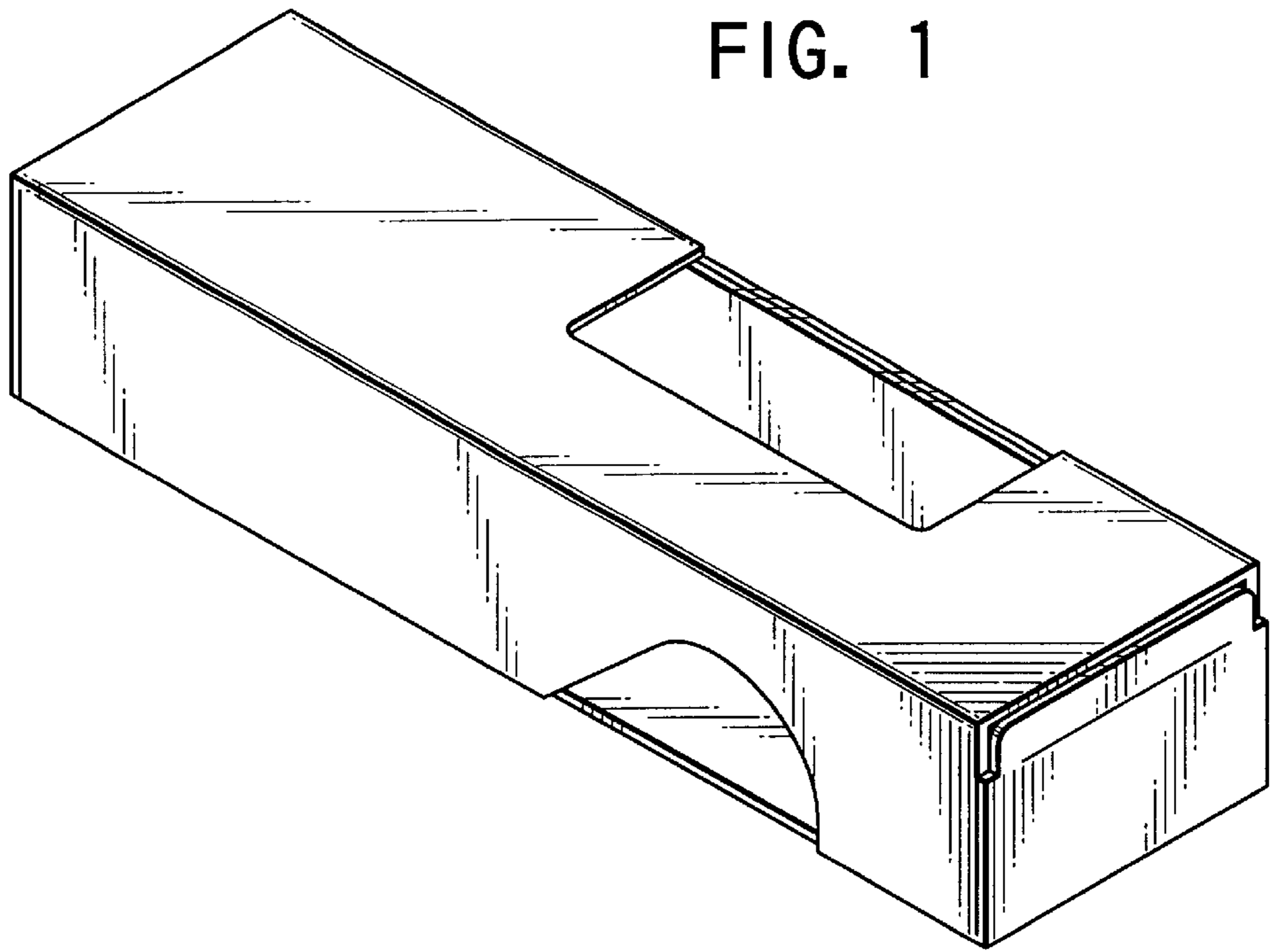


FIG. 4

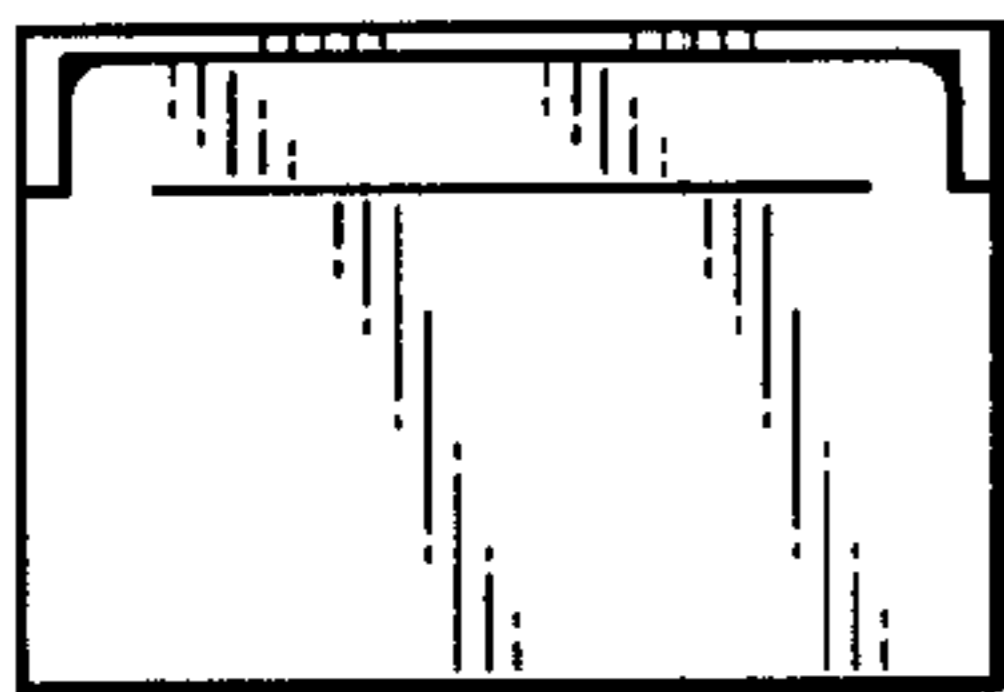


FIG. 2

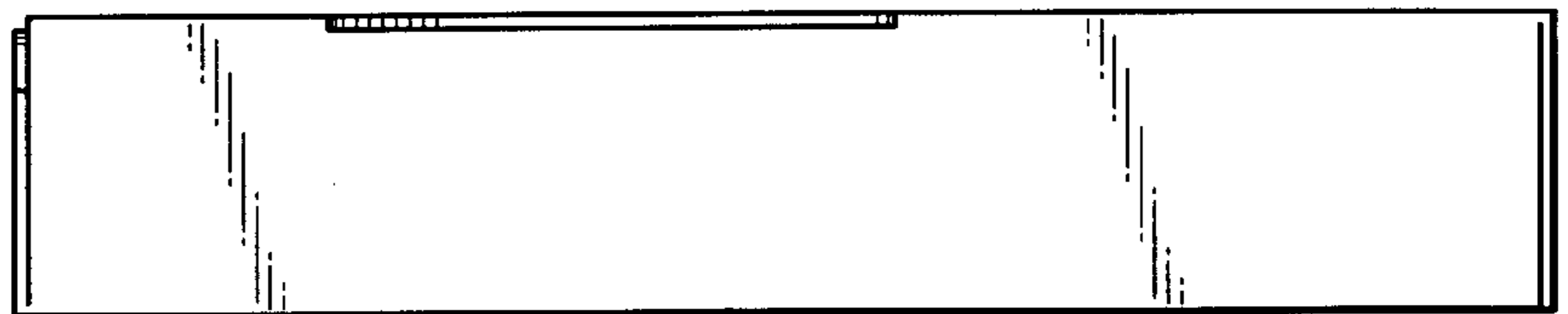


FIG. 5

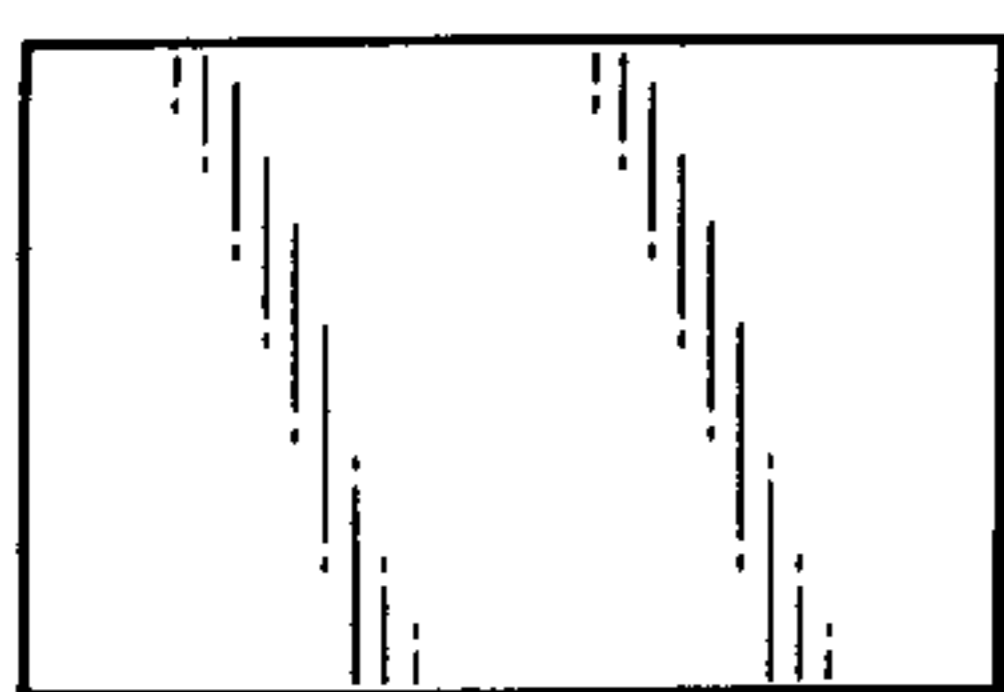


FIG. 3

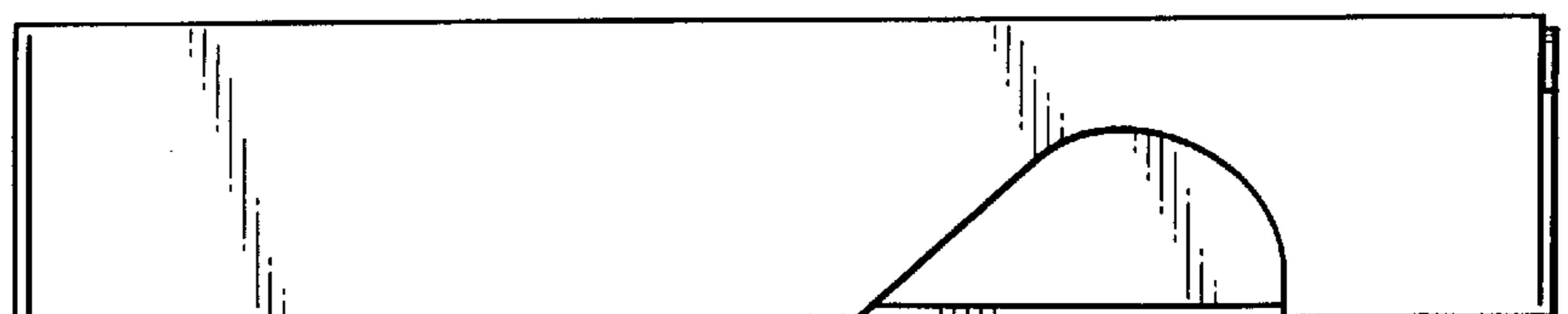


FIG. 6

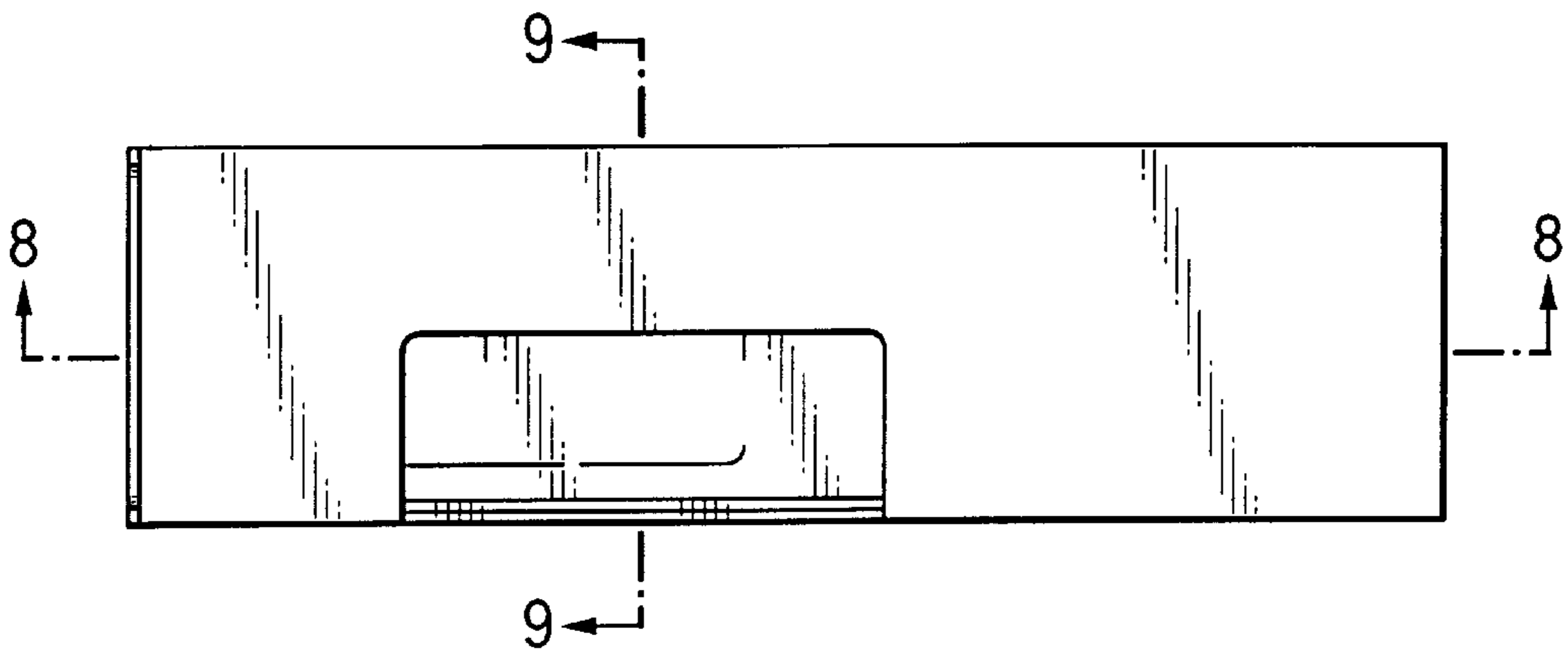


FIG. 7

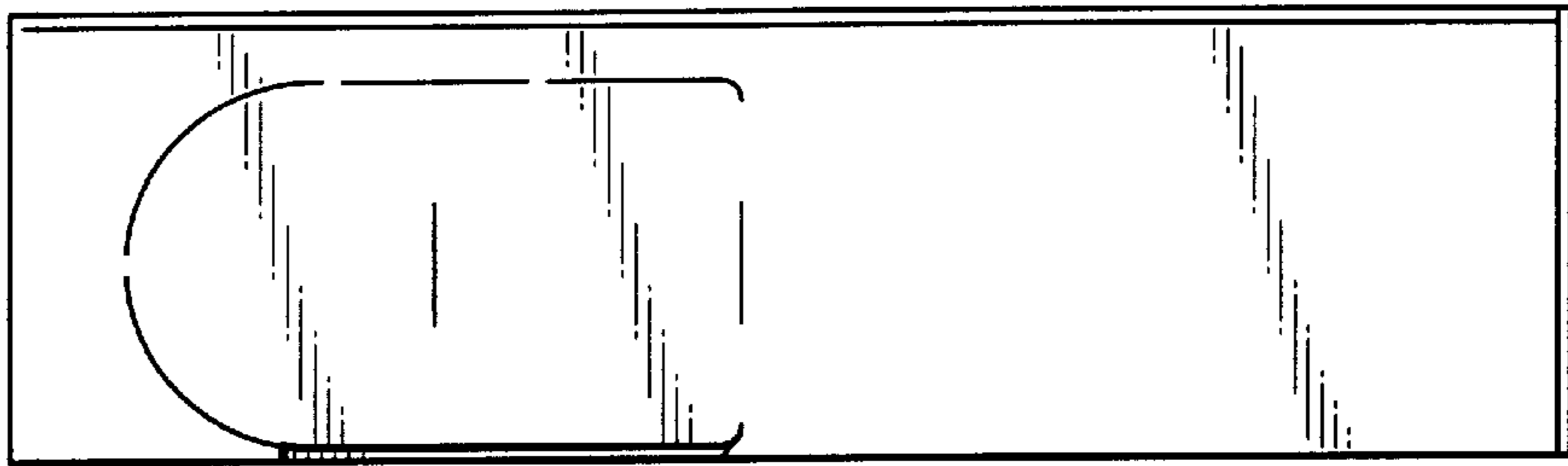


FIG. 8

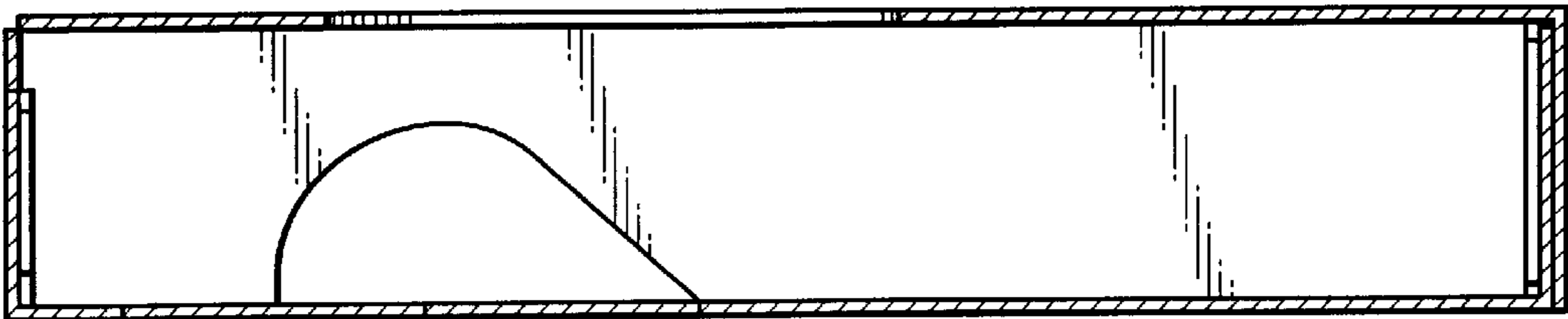


FIG. 9

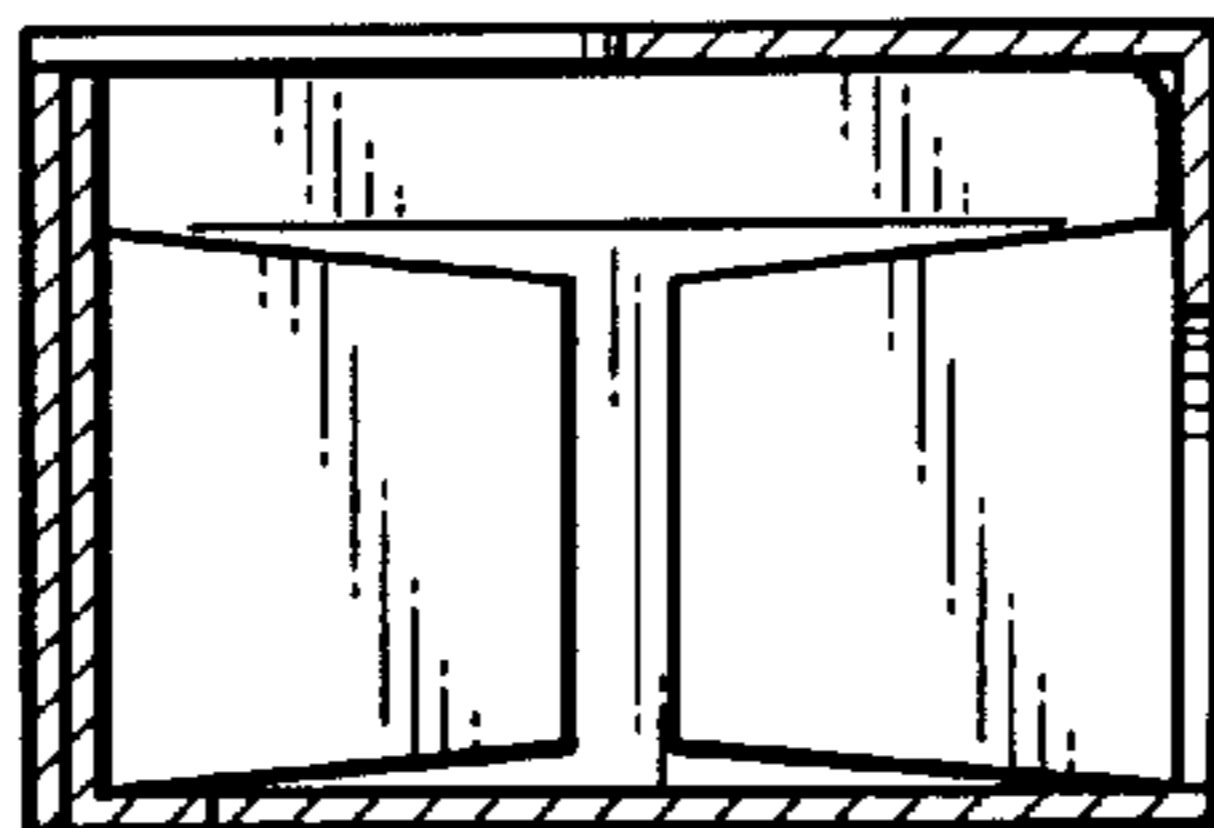


FIG. 10

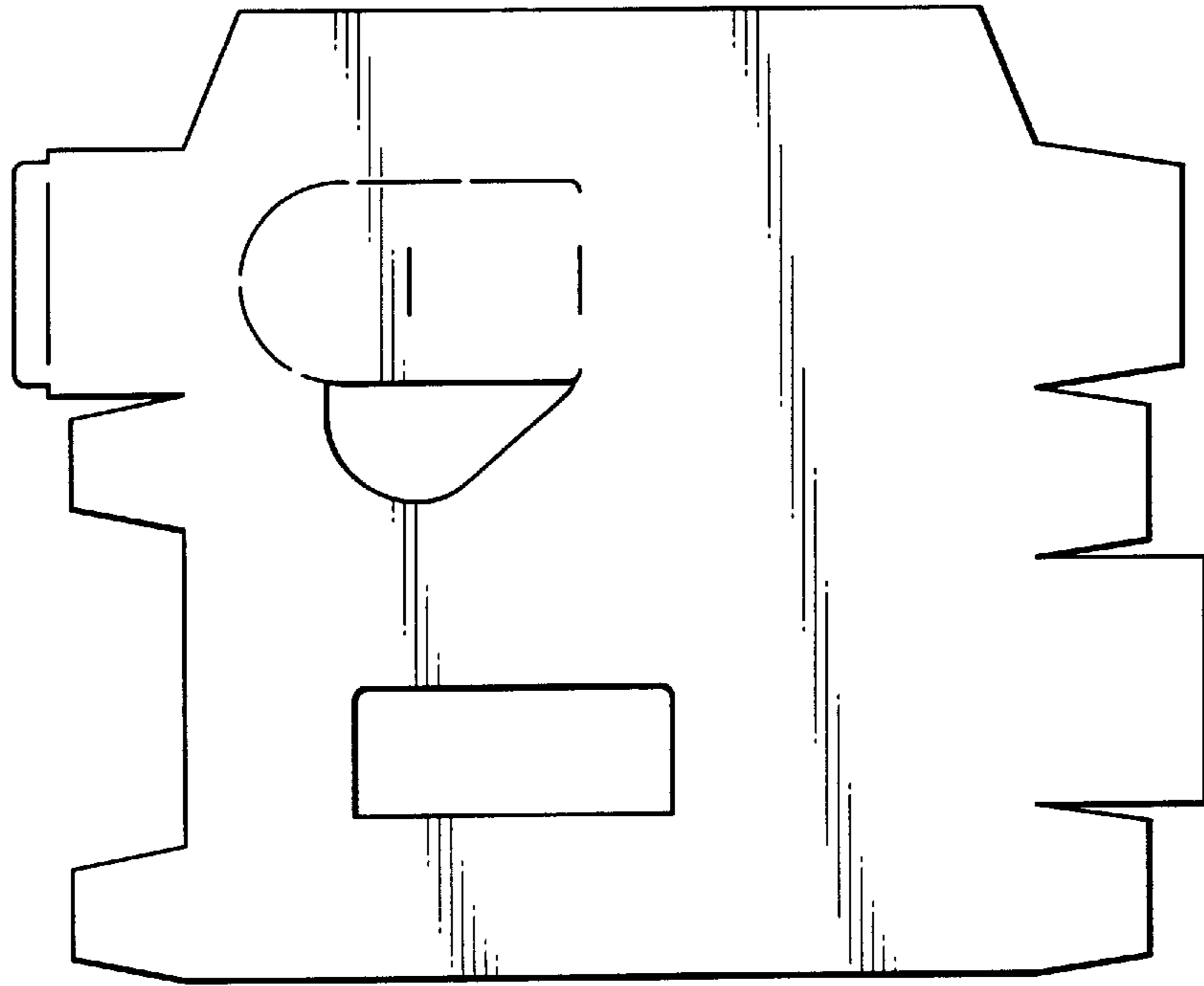


FIG. 11

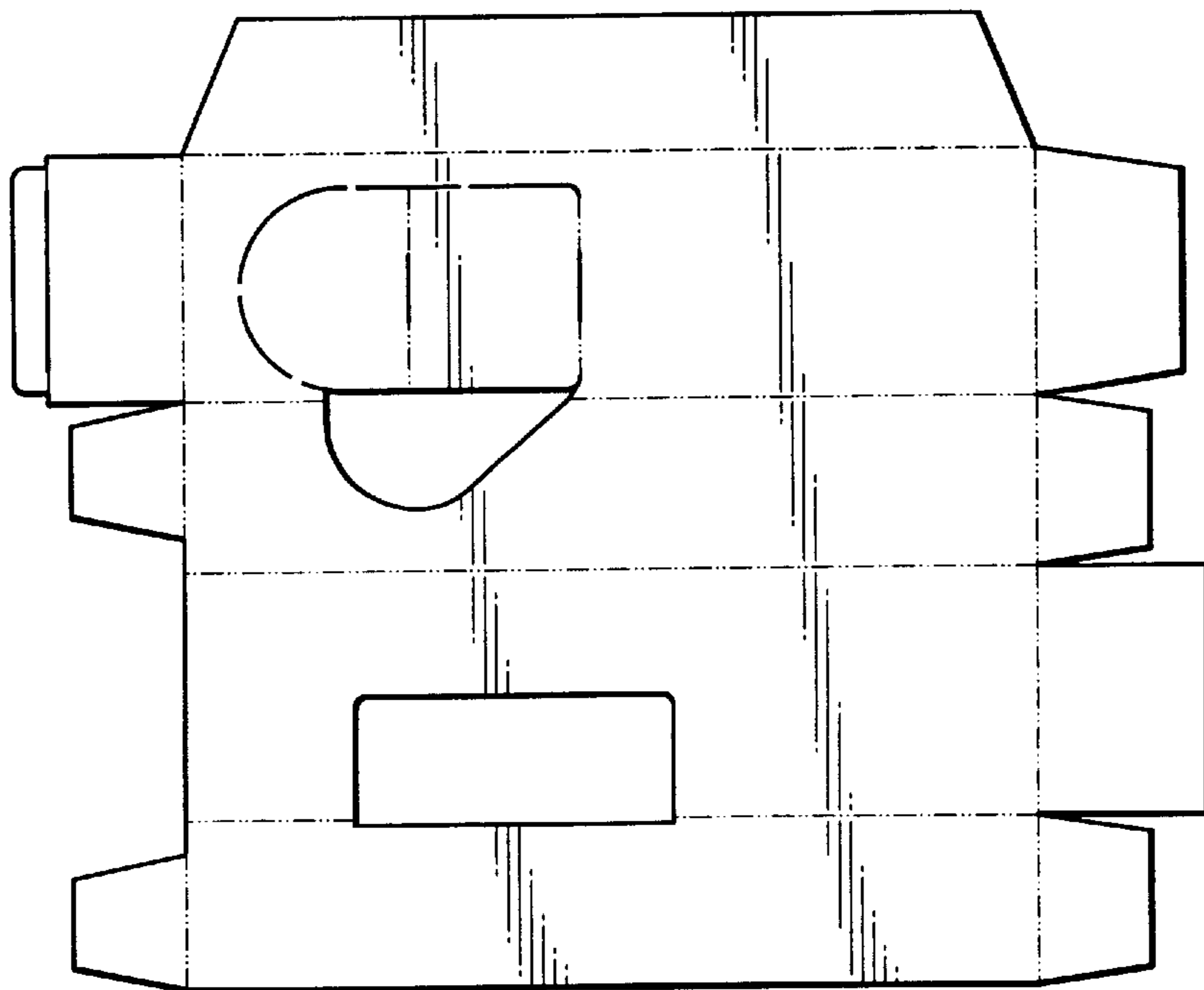


FIG. 12

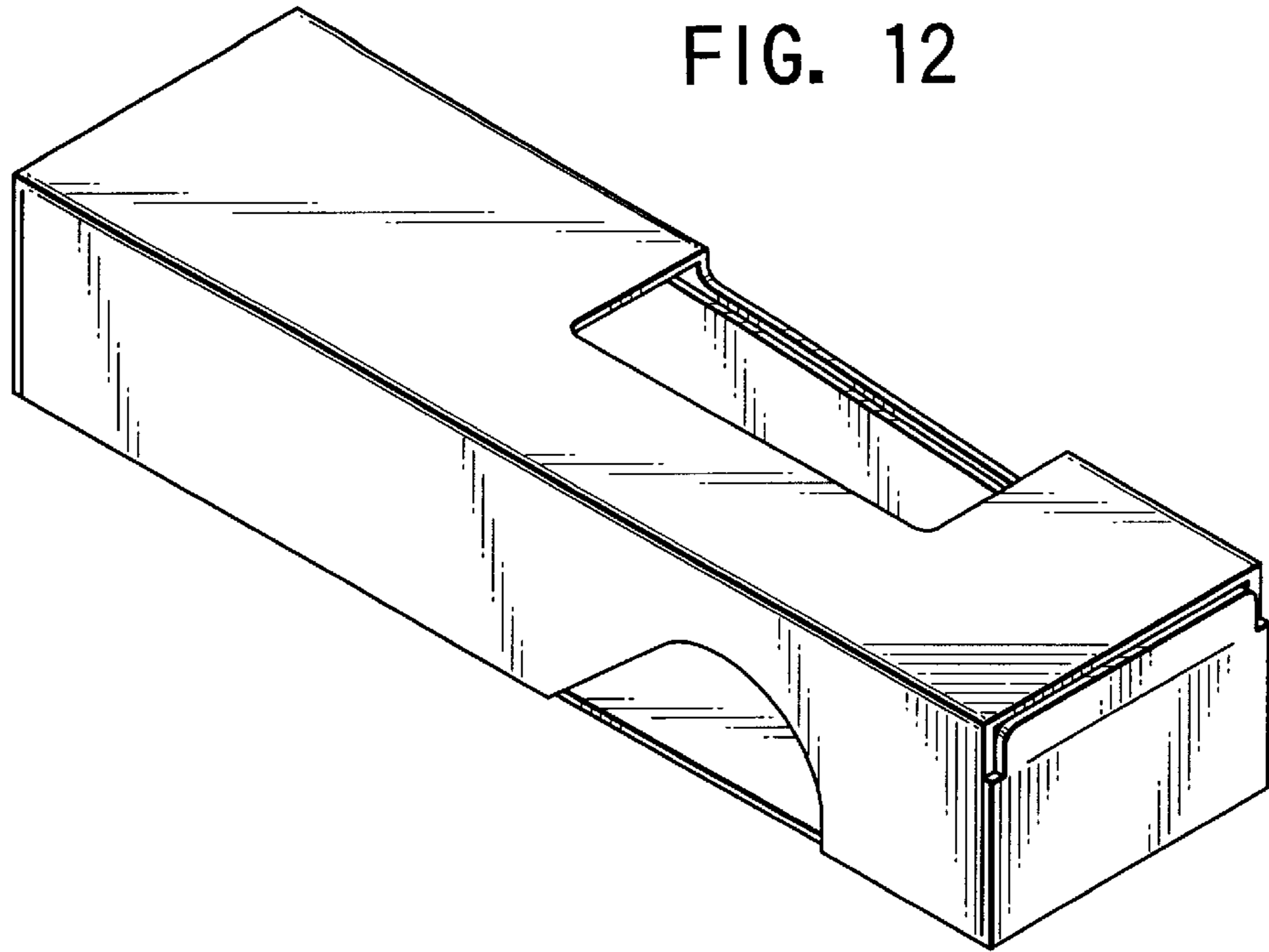


FIG. 15

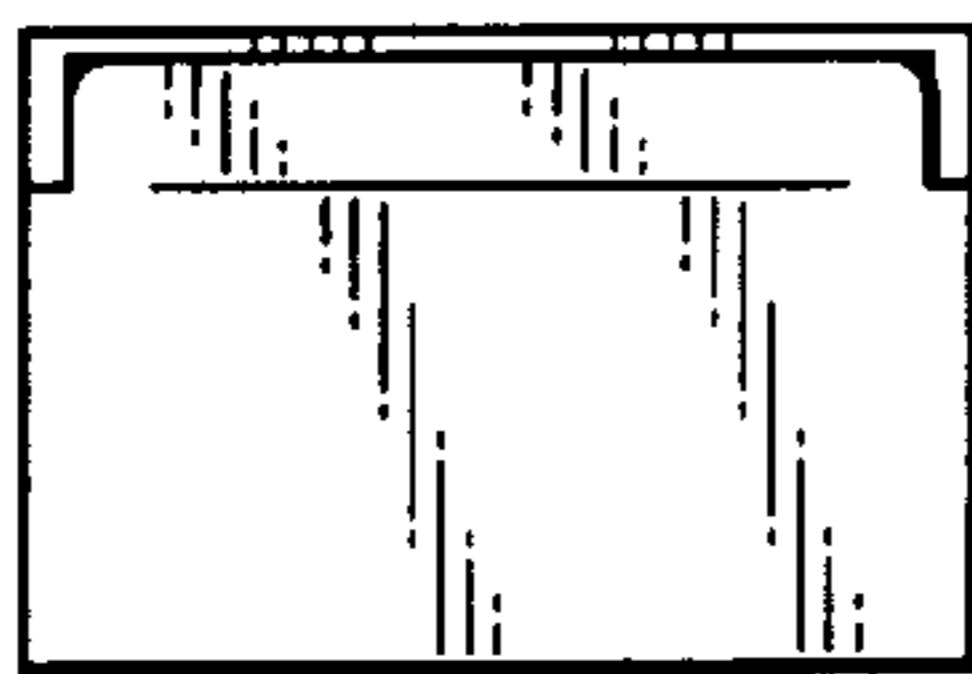


FIG. 13

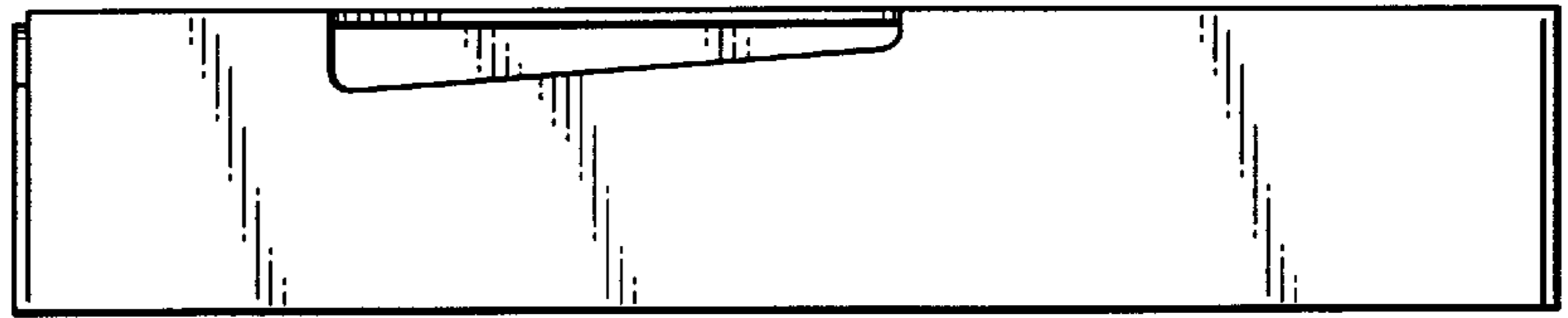


FIG. 16

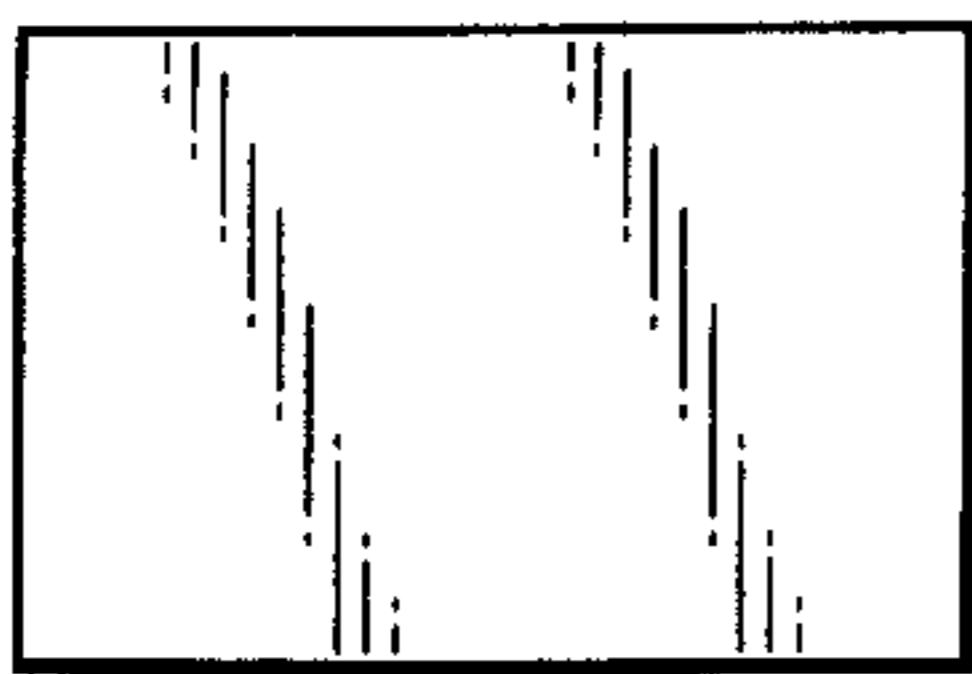


FIG. 14

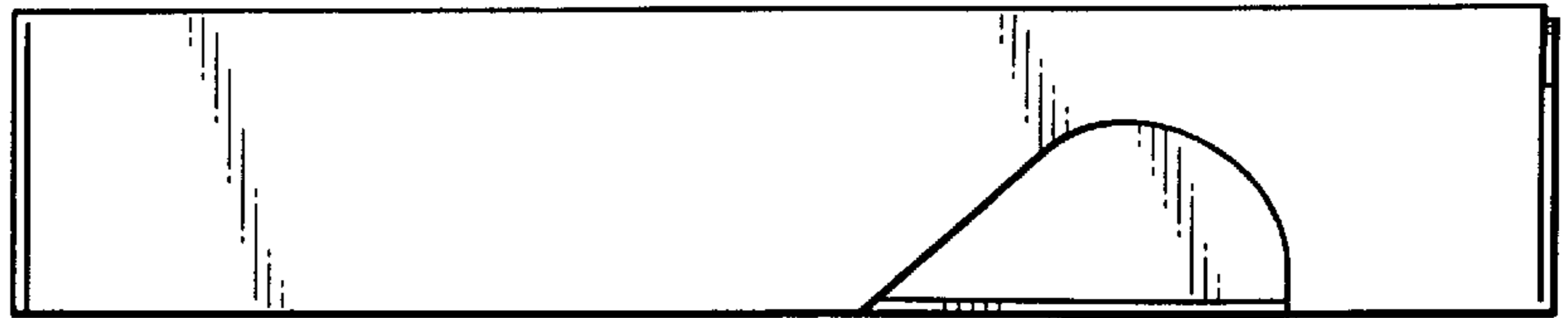


FIG. 17

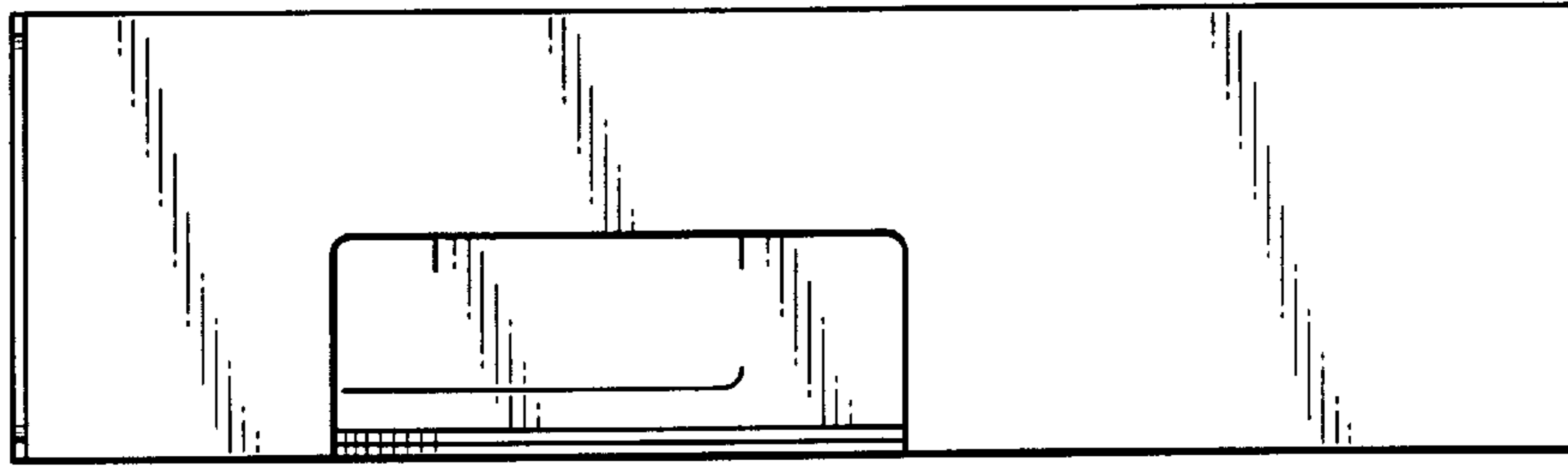


FIG. 18

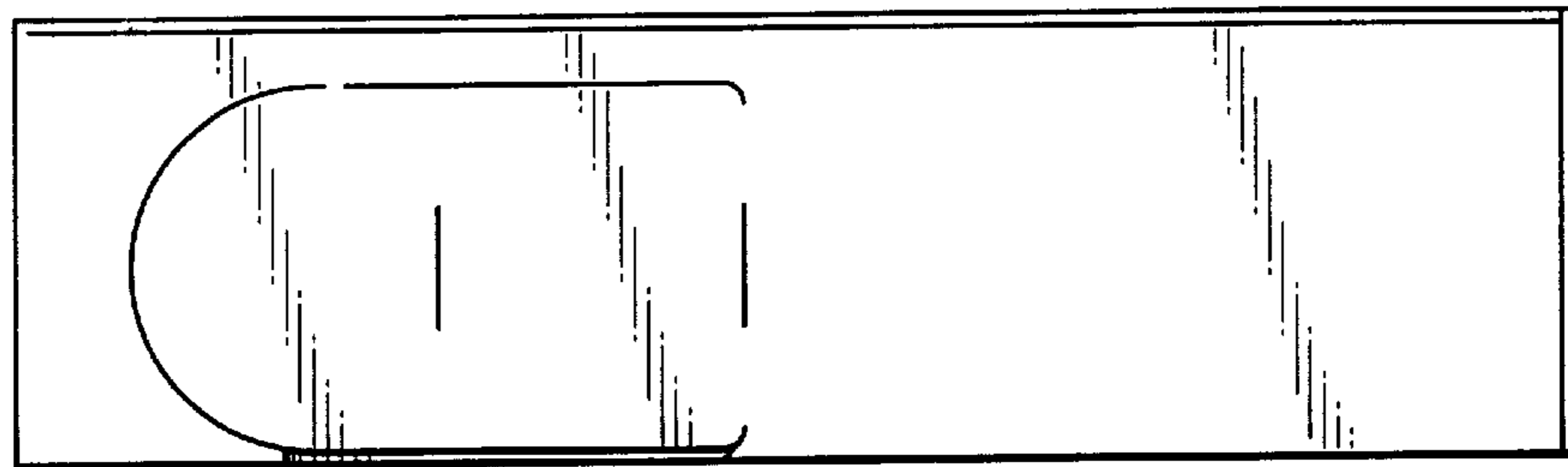


FIG. 19

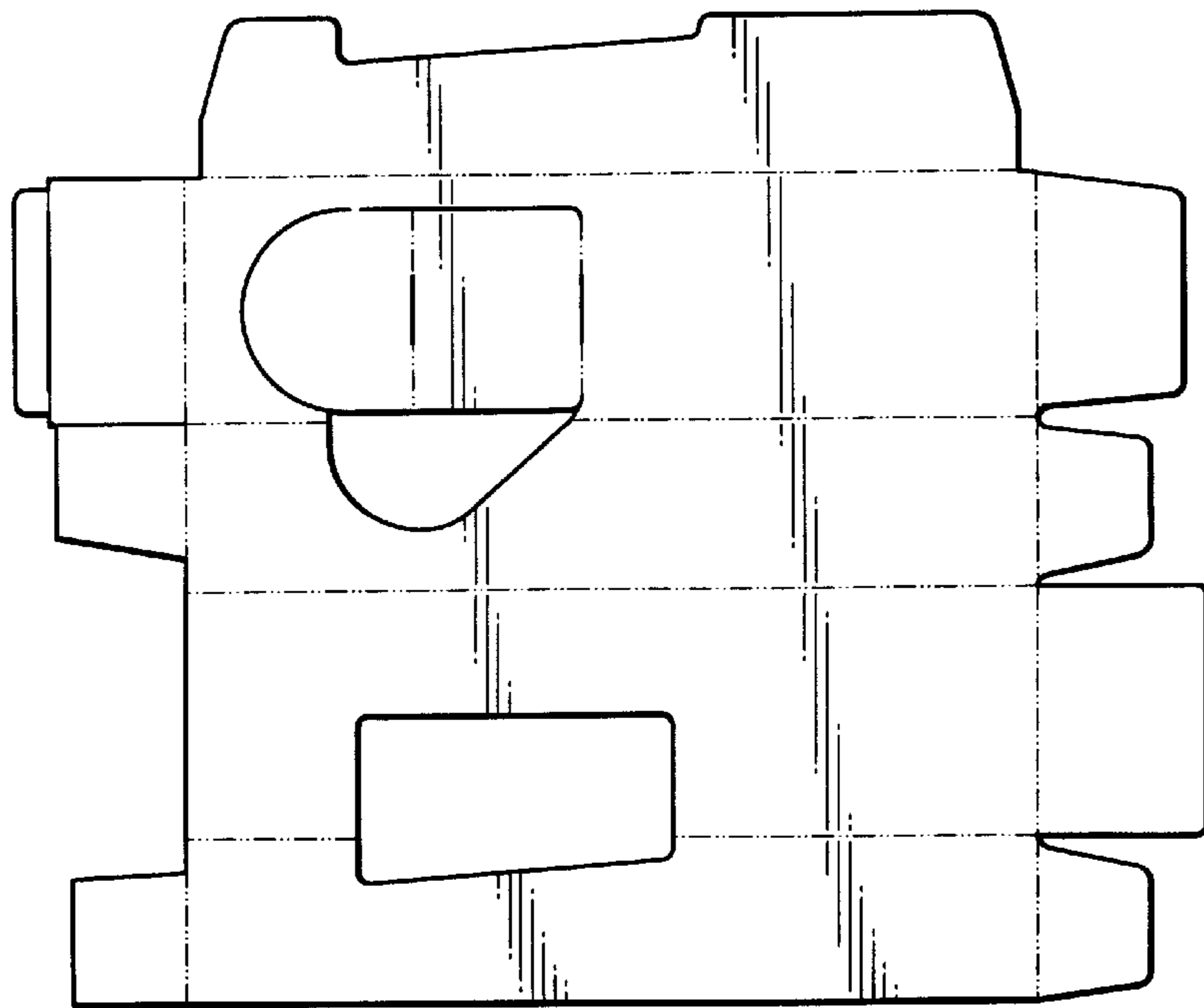


FIG. 20

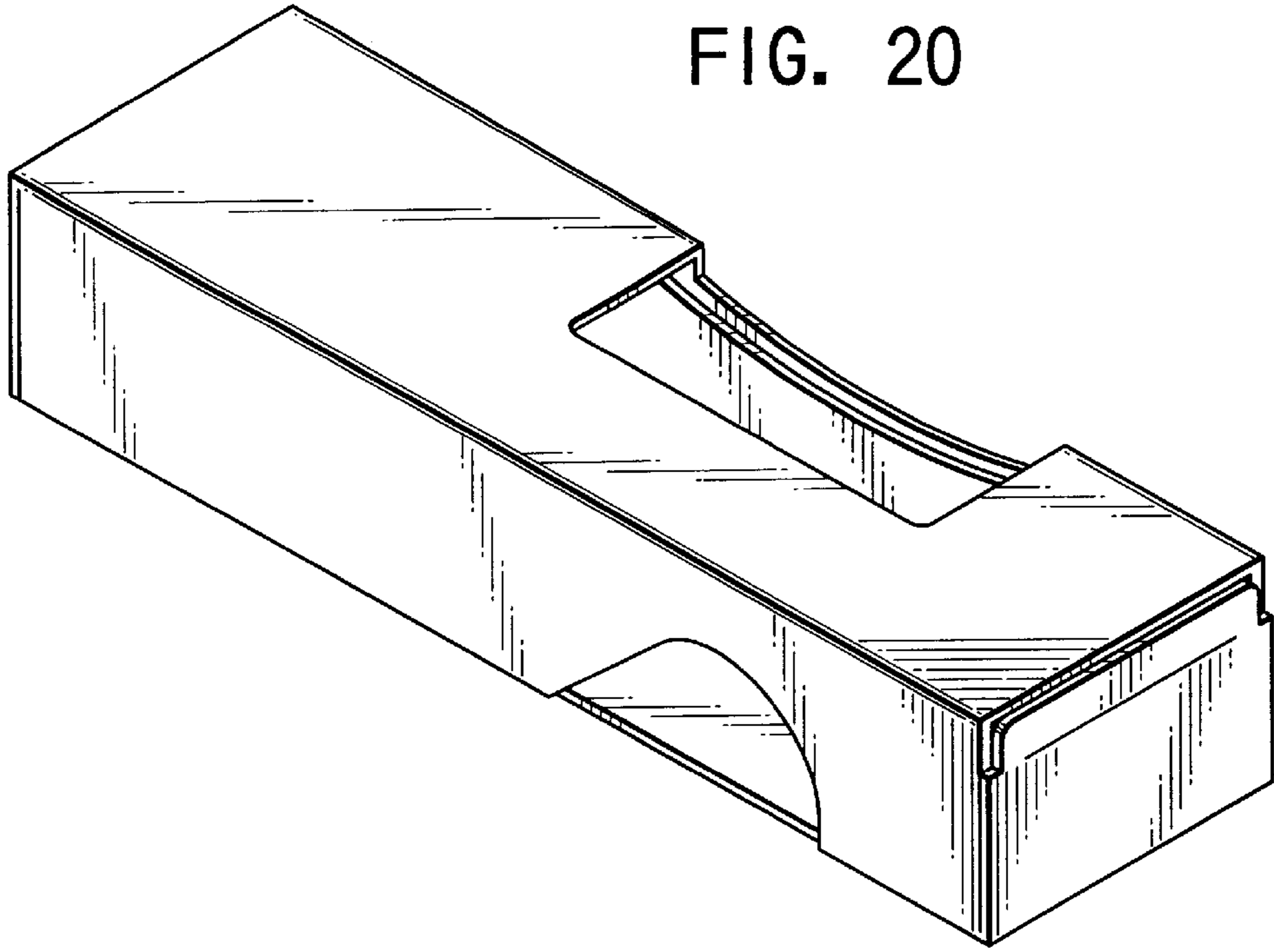


FIG. 23

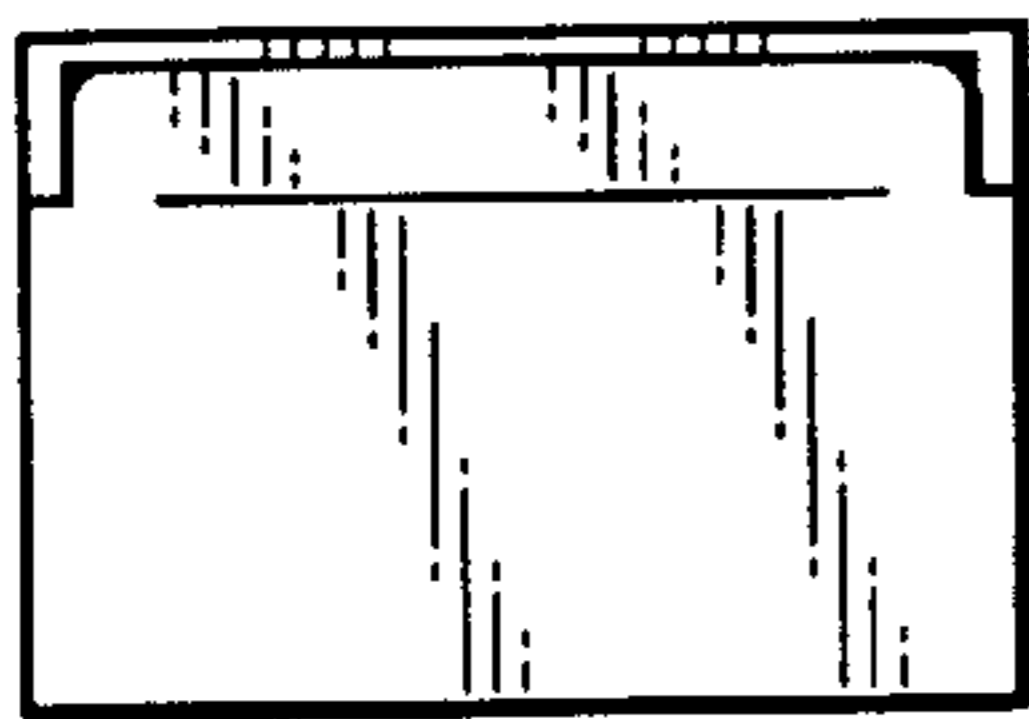


FIG. 21

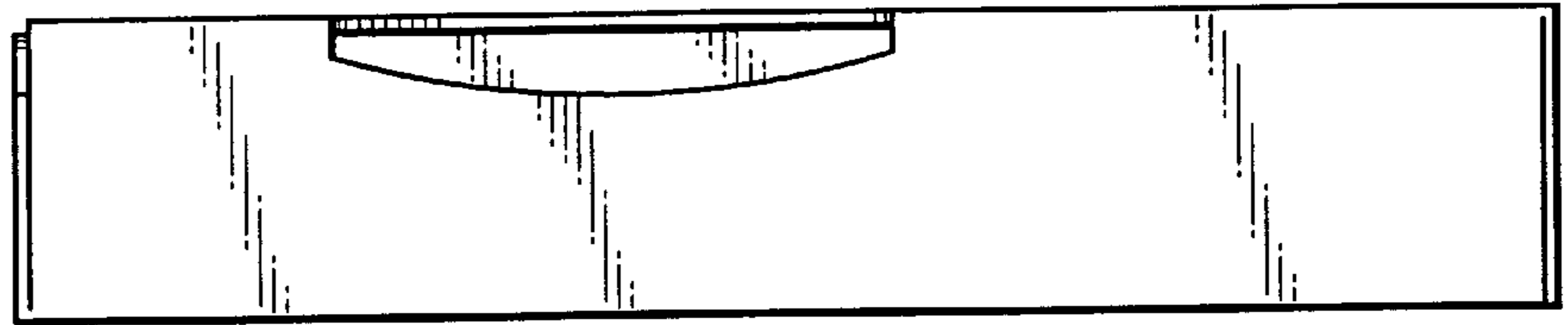


FIG. 24

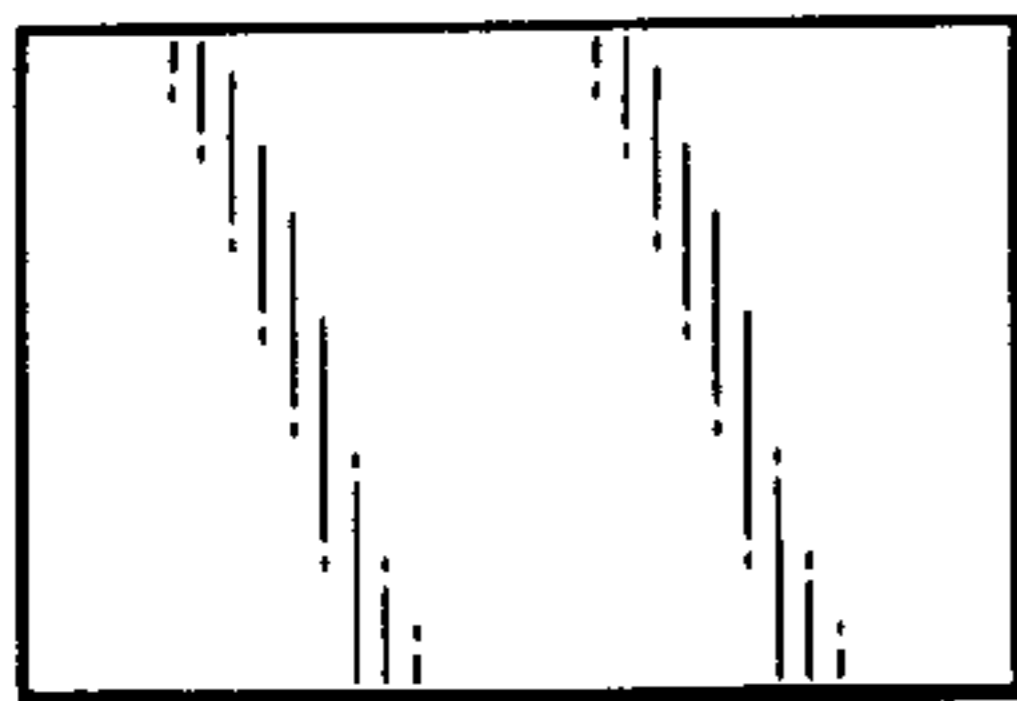


FIG. 22

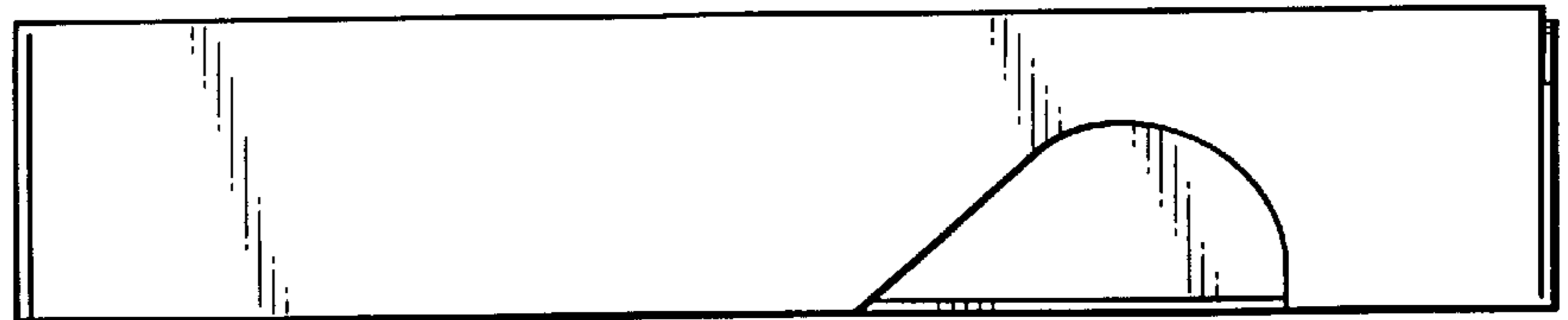


FIG. 25

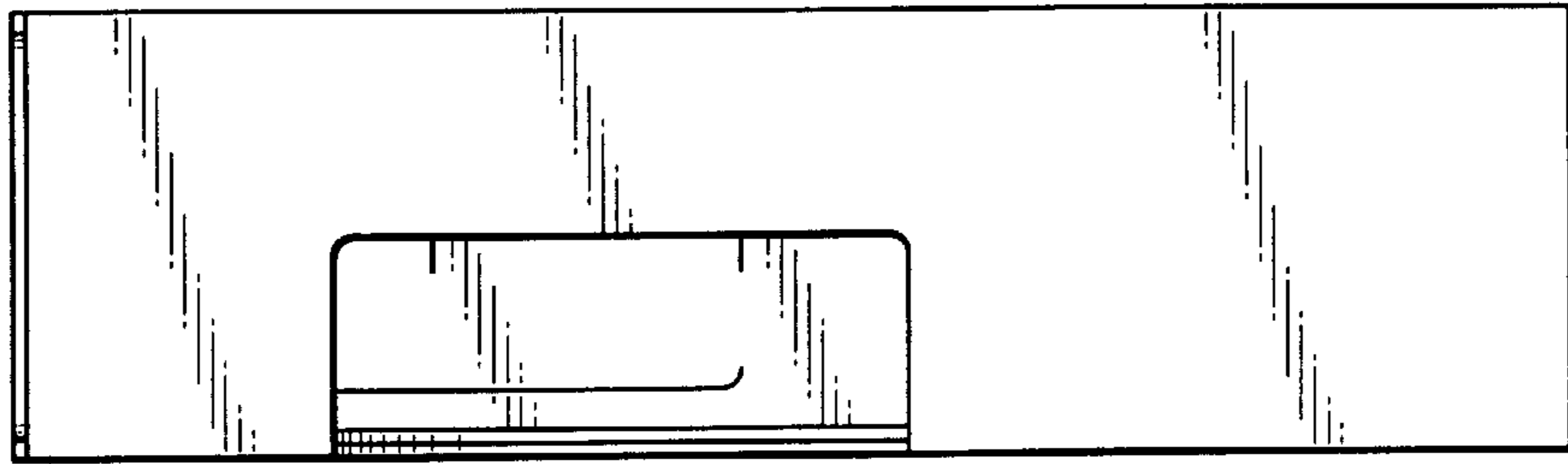


FIG. 26

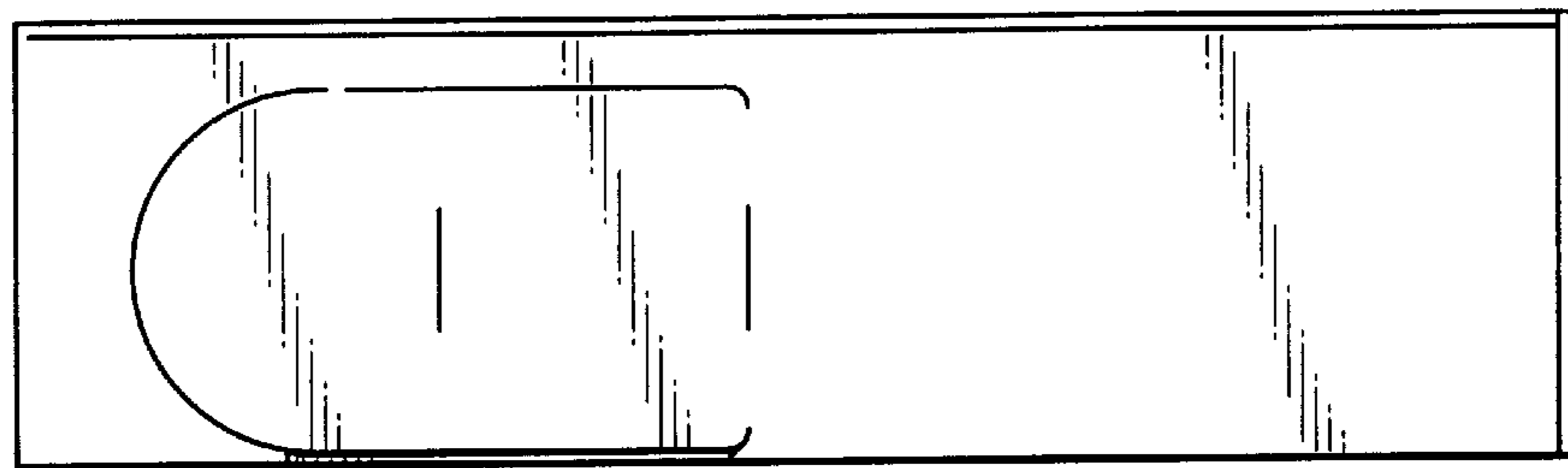


FIG. 27

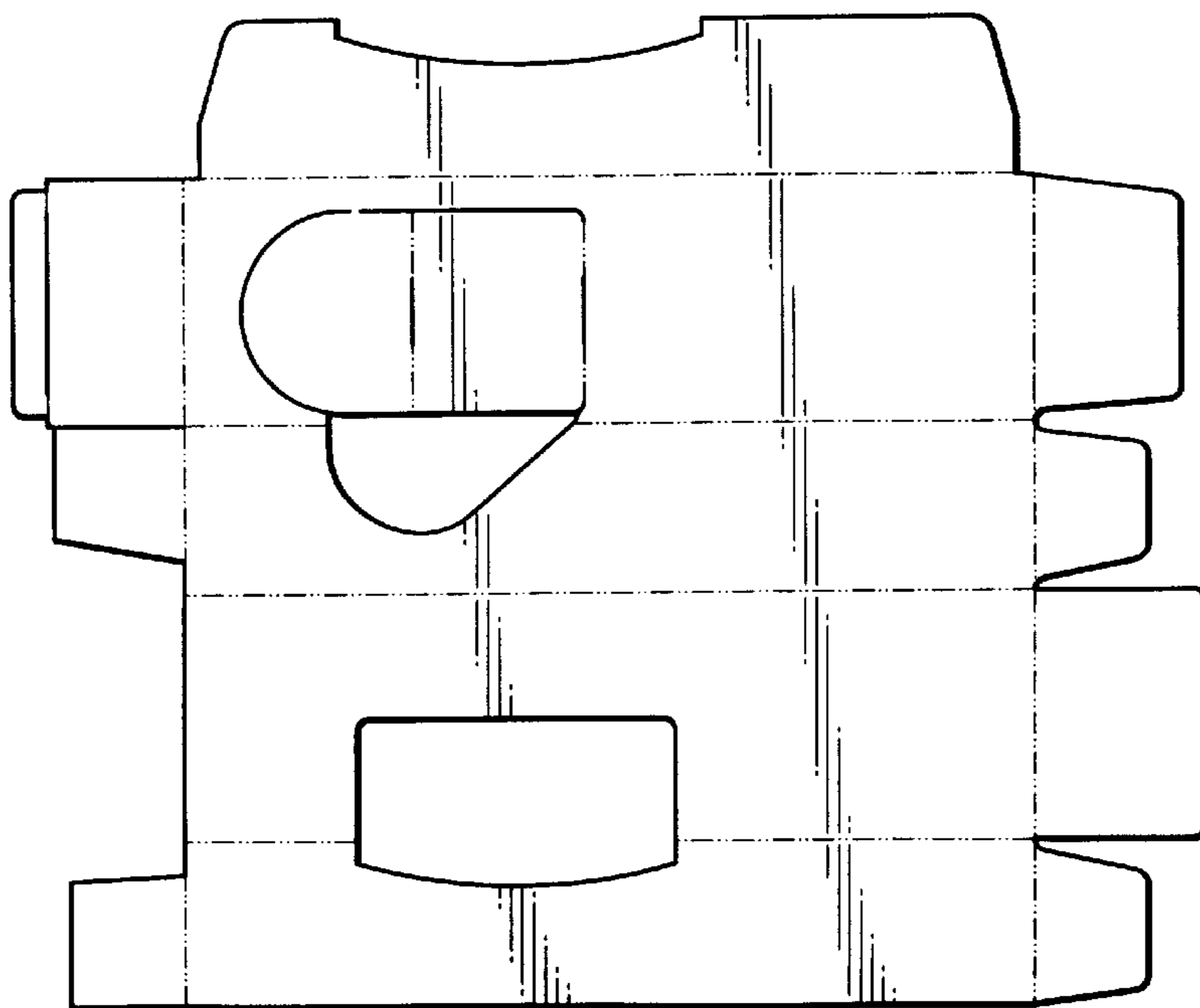


FIG. 28

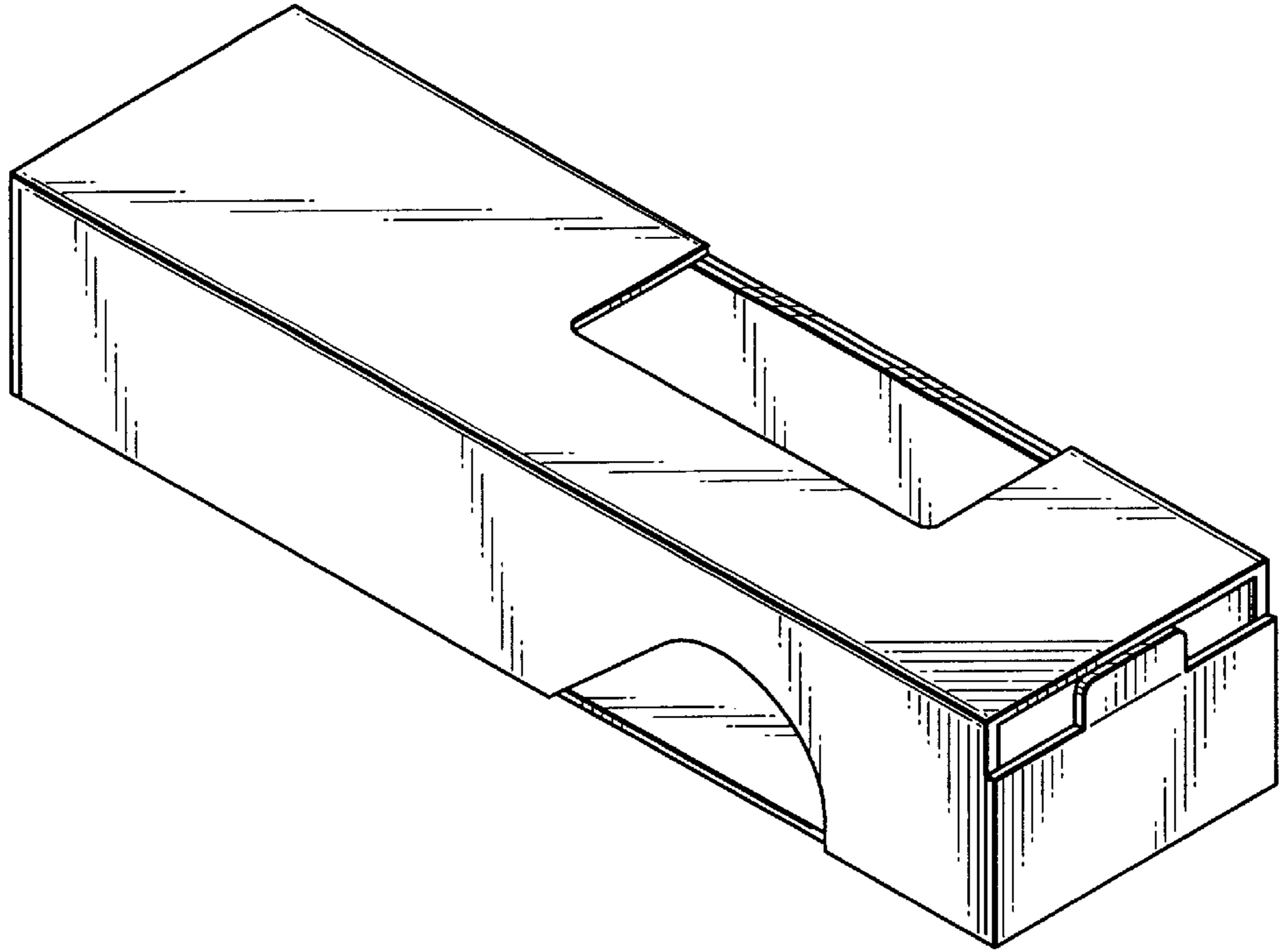


FIG. 29

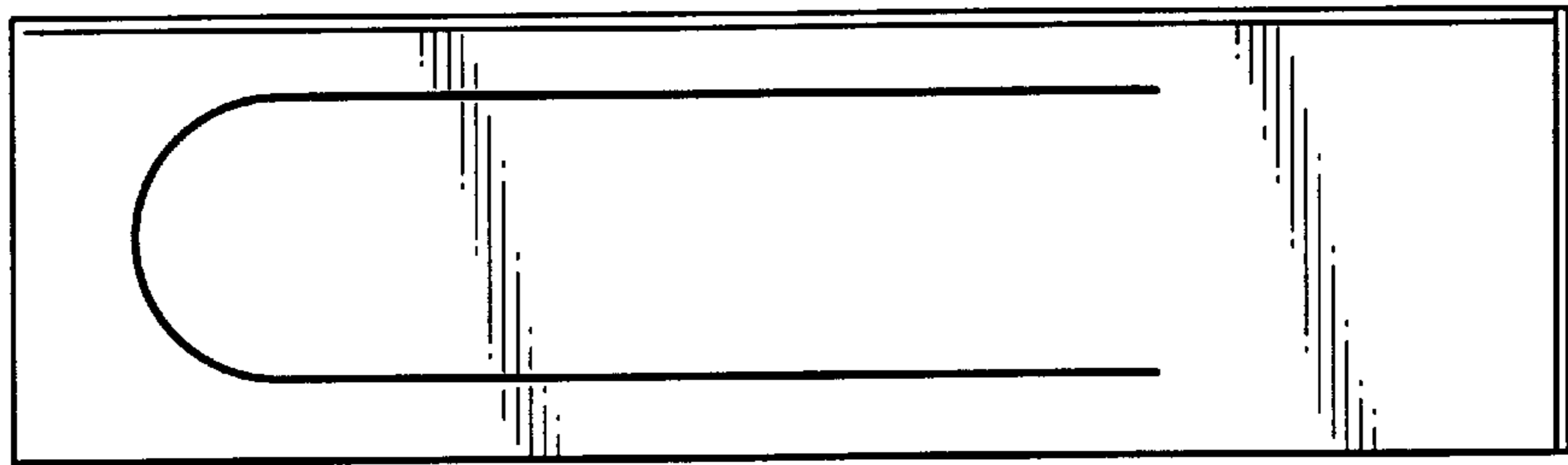


FIG. 30

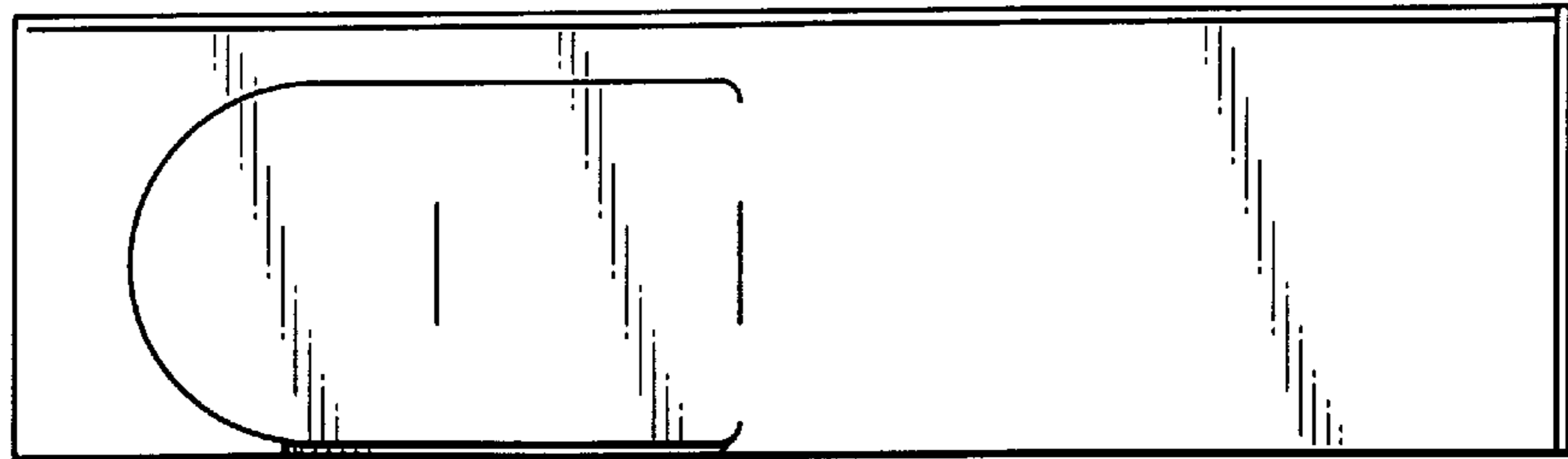


FIG. 31

