



US00D430435S

United States Patent [19] Zaidman

[11] **Patent Number: Des. 430,435**

[45] **Date of Patent: ** Sep. 5, 2000**

[54] **HEADBOARD**

[75] Inventor: **S. Paul Zaidman**, Winnipeg, Canada

[73] Assignee: **Palliser Furniture Ltd**, Canada

[**] Term: **14 Years**

[21] Appl. No.: **29/105,402**

[22] Filed: **May 24, 1999**

D. 345,061 3/1994 Tyng D6/393
D. 393,162 4/1998 Bargagli-Stoffi D6/505

OTHER PUBLICATIONS

Woodward and Lothrop Directions, p. 13, bed.
Thomasville, Montage Impressions, Apr. 1986, p.4, bed.

Primary Examiner—Janice E. Seeger
Attorney, Agent, or Firm—Michael Best & Friedrich LLP

Related U.S. Application Data

[62] Division of application No. 29/075,428, Aug. 20, 1997, Pat. No. Des. 413,023.

[51] **LOC (7) Cl.** **06-01**

[52] **U.S. Cl.** **D6/505**

[58] **Field of Search** D6/382-384, 388-395,
D6/505-508; 5/53.1, 279.4, 280, 281, 907,
908

[57] CLAIM

The ornamental design for a headboard, as shown and described.

DESCRIPTION

FIG. 1 is a perspective view of a headboard showing my new design; the opposite side being a mirror image thereof; and, FIG. 2 is a front elevational view.

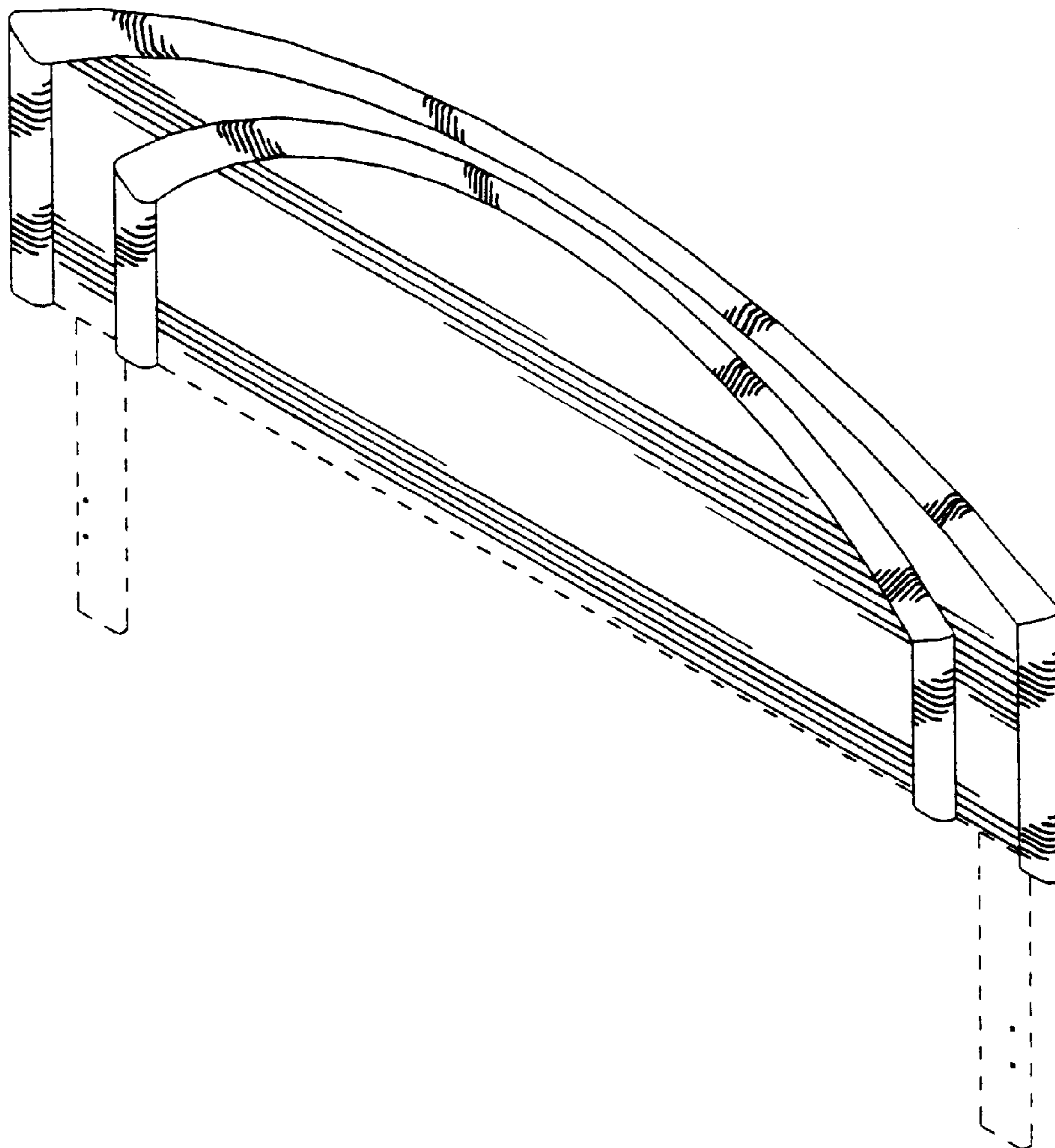
The broken line showing of the bottom edge of the headboard defines the boundary but forms no part of the claimed design. The broken line showing of the two vertical supports is for environmental purposes only and forms no part of the claimed design.

[56] References Cited

U.S. PATENT DOCUMENTS

D. 328,207 7/1992 White D6/505

1 Claim, 1 Drawing Sheet



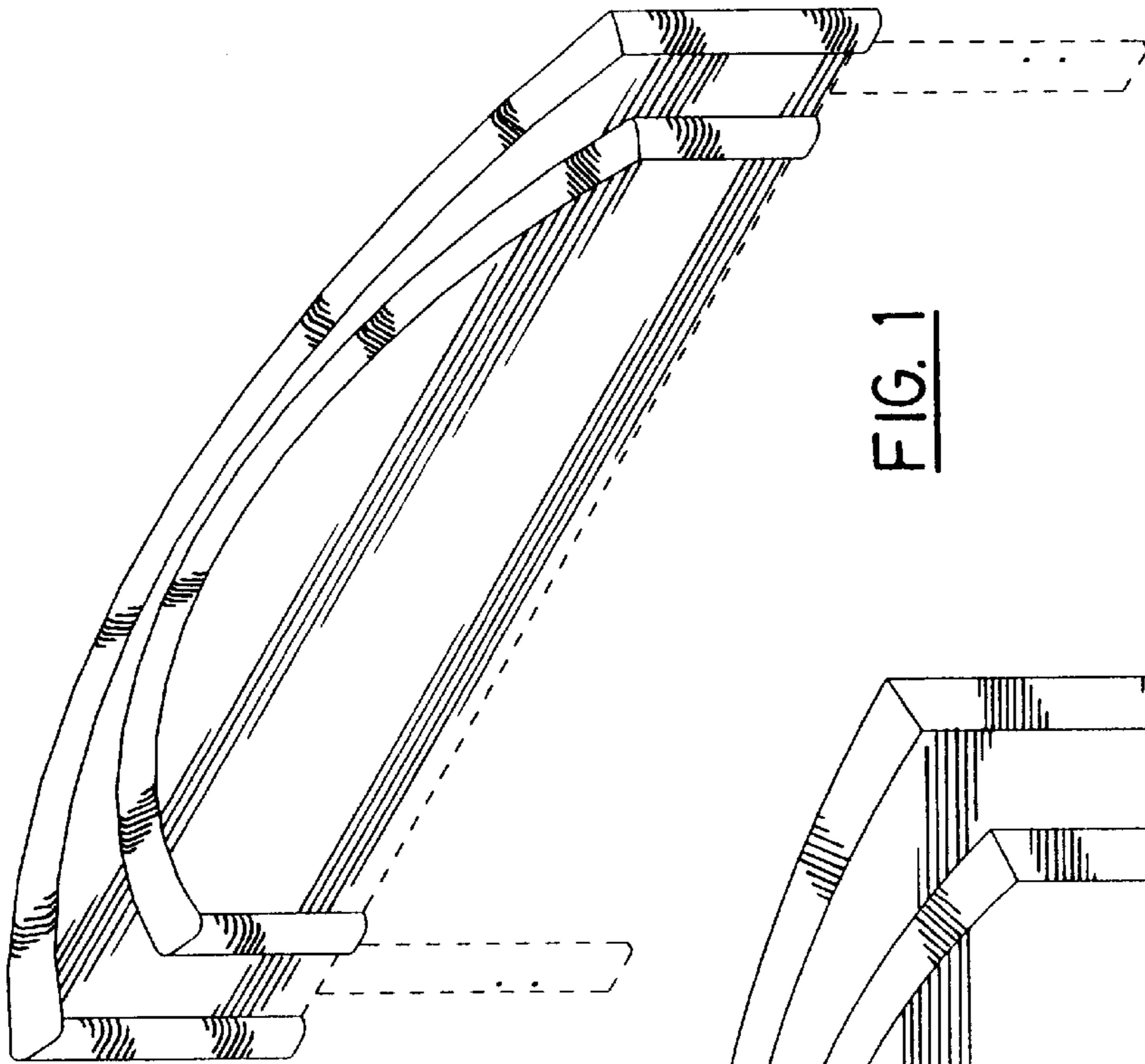


FIG. 1

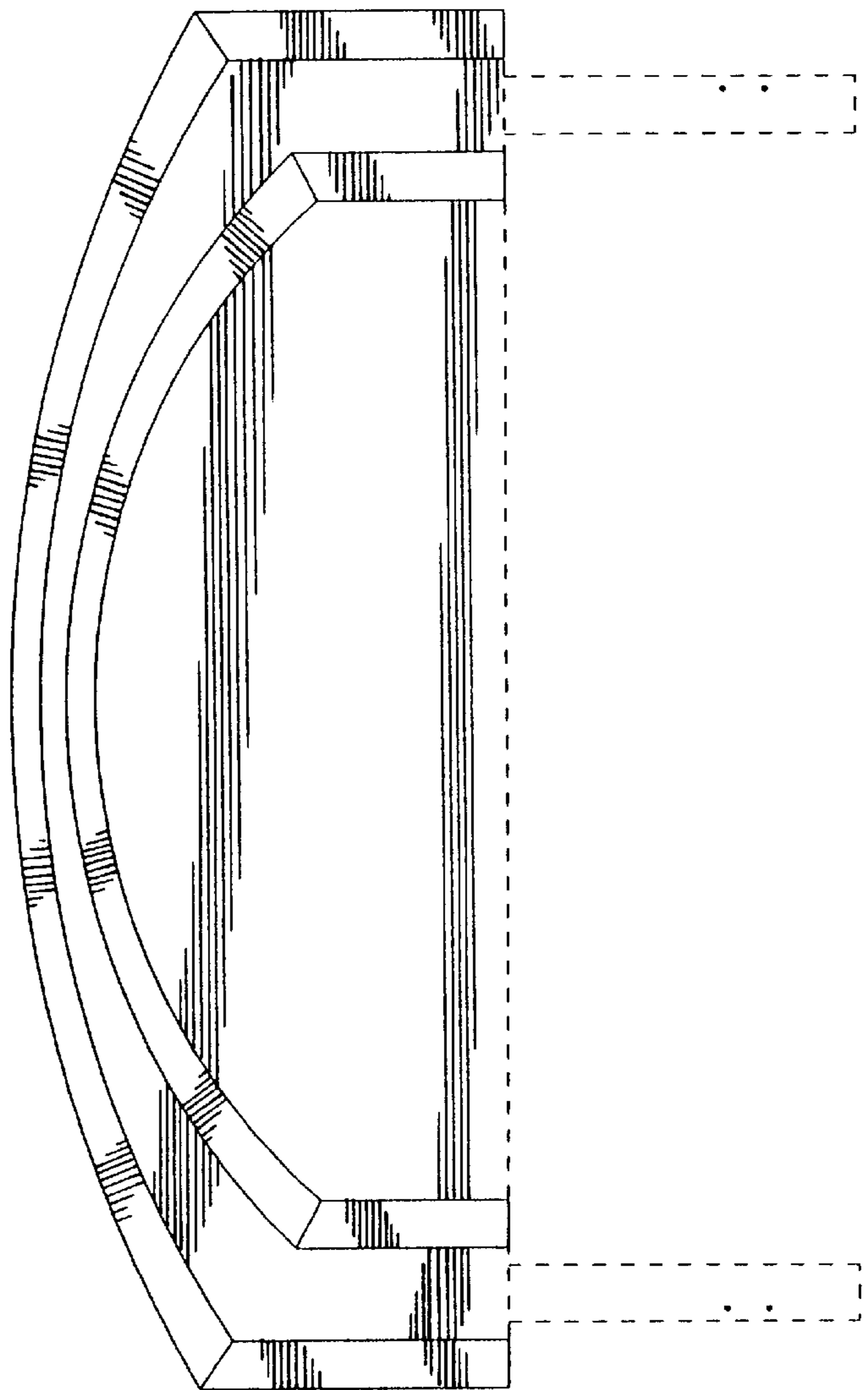


FIG. 2