



US00D430430S

United States Patent [19]
Malapane

[11] **Patent Number: Des. 430,430**

[45] **Date of Patent: ** Sep. 5, 2000**

[54] **KEY ORGANIZER**

D. 369,252 4/1996 Solomon-Wise D6/457
5,037,049 8/1991 Funk D6/405 X
5,127,528 7/1992 Cone 211/34

[76] Inventor: **Malekgoloane Malapane**, 3804
Hamilton St., Apt. 3, Hyattsville, Md.
20781

[**] Term: **14 Years**

Primary Examiner—Cathron B. Matta
Attorney, Agent, or Firm—Chen Patents

[21] Appl. No.: **29/110,497**

[57] **CLAIM**

[22] Filed: **Sep. 10, 1999**

The ornamental design for a key organizer, as shown and described.

[51] **LOC (7) Cl.** **06-04**

[52] **U.S. Cl.** **D6/457**

[58] **Field of Search** D6/396, 410, 411,
D6/449, 455, 457, 458, 467; D3/207; 108/28-31;
211/30, 33, 85.3, 85.9; 223/120; 248/156,
158

DESCRIPTION

FIG. 1 is a perspective view of the key organizer showing a new design.

FIG. 2 is a front view thereof; and,

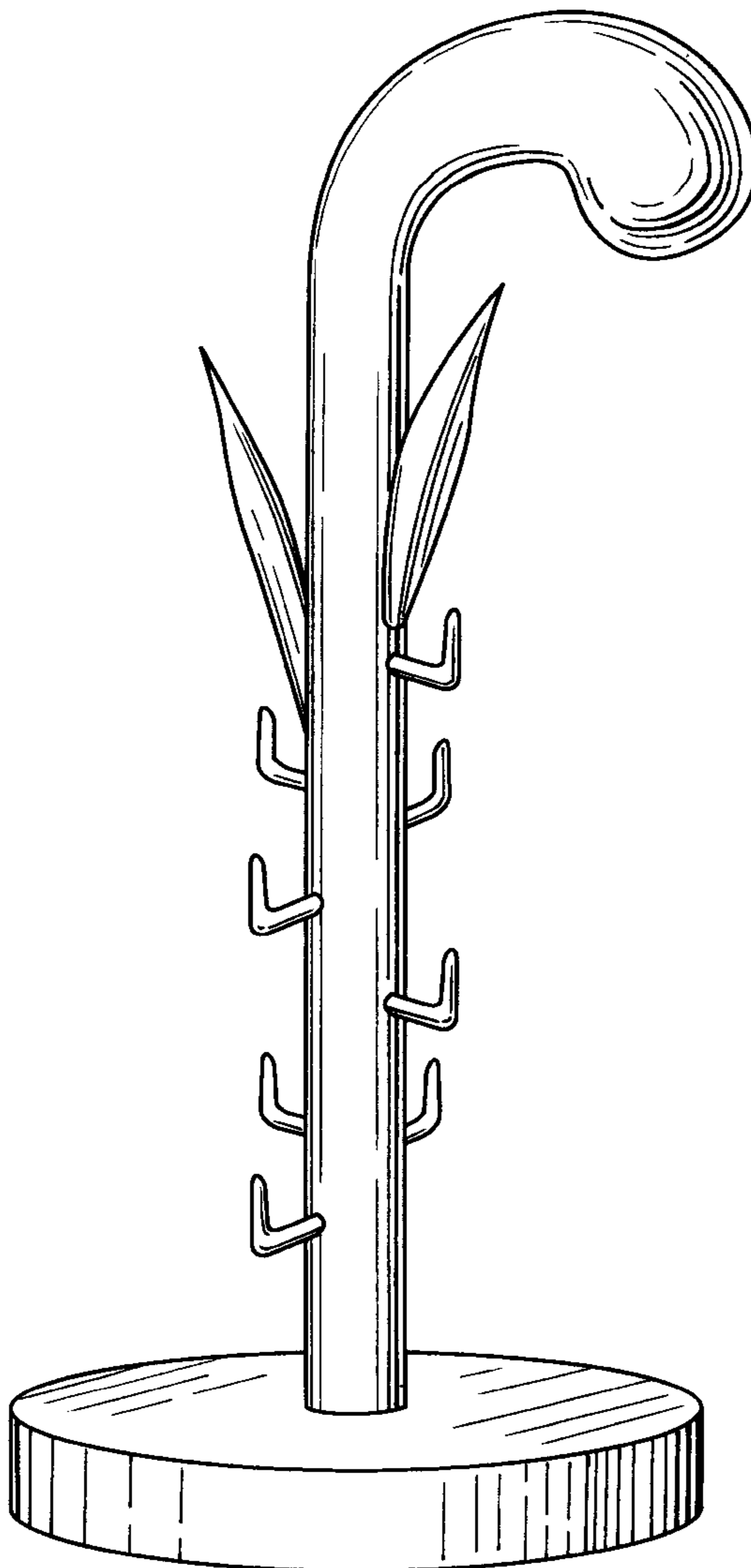
FIG. 3 is a side view thereof.

[56] **References Cited**

U.S. PATENT DOCUMENTS

D. 339,249 9/1993 Wa D6/411

1 Claim, 3 Drawing Sheets



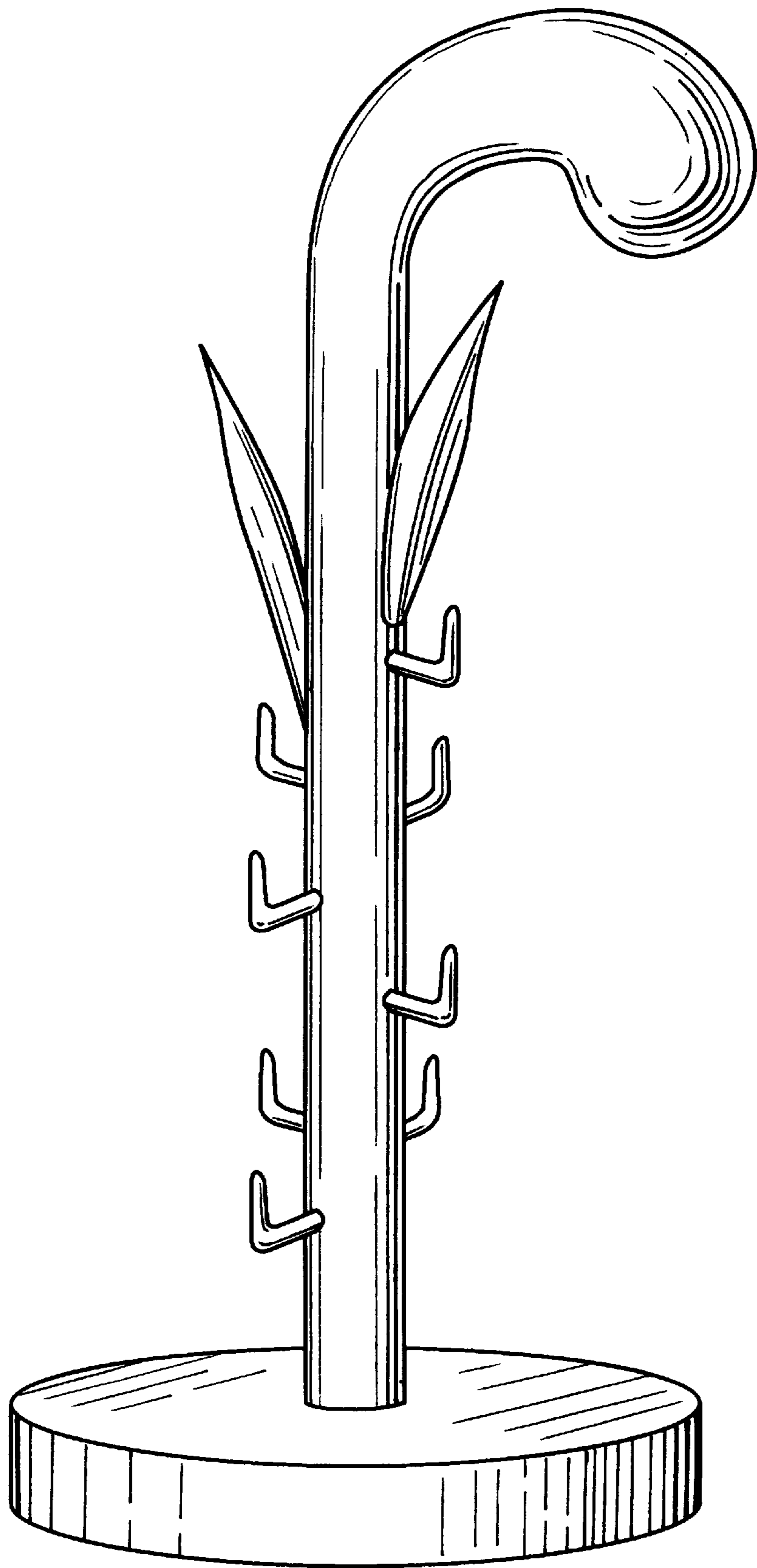


Fig. 1

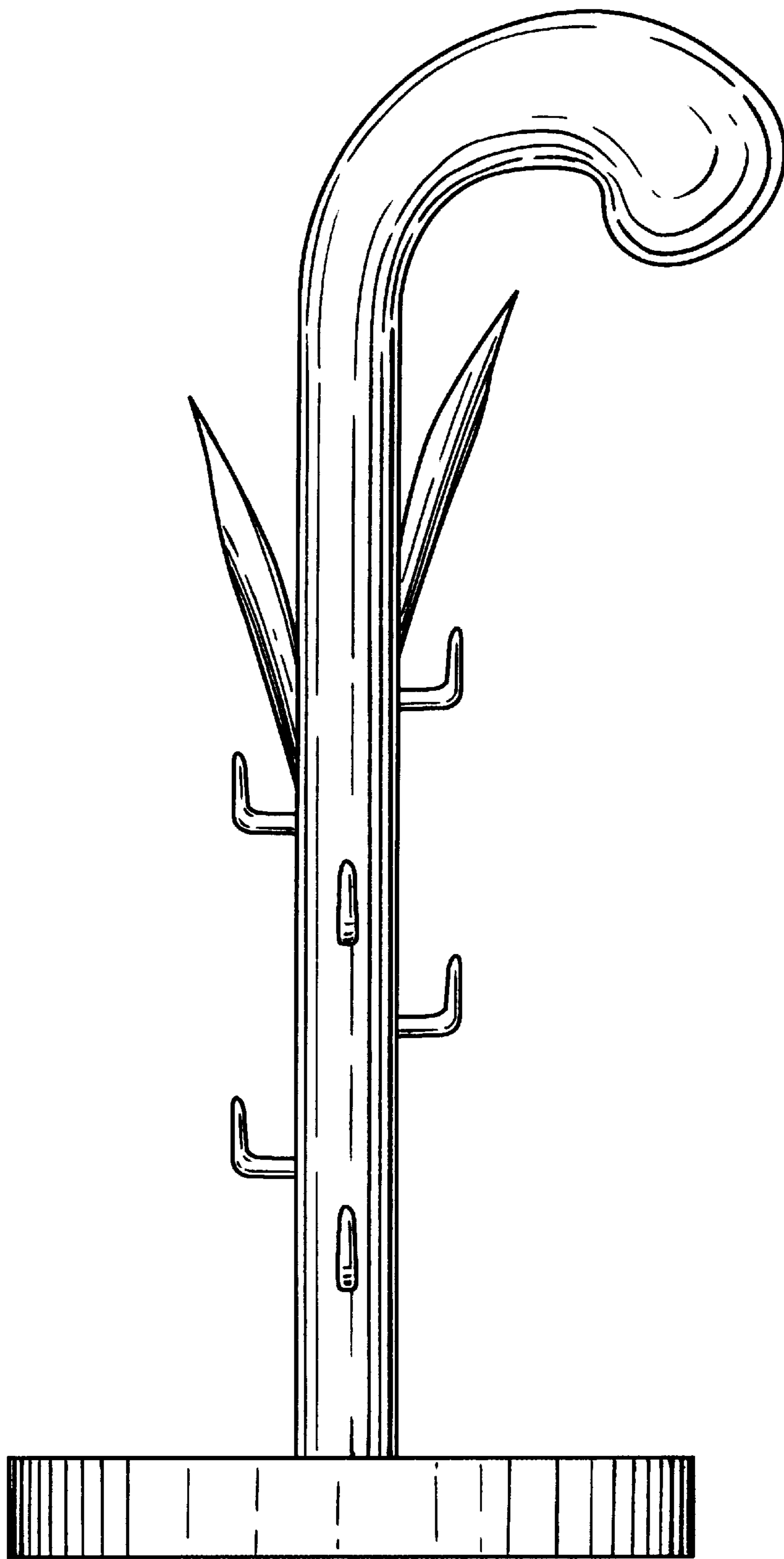


Fig. 2

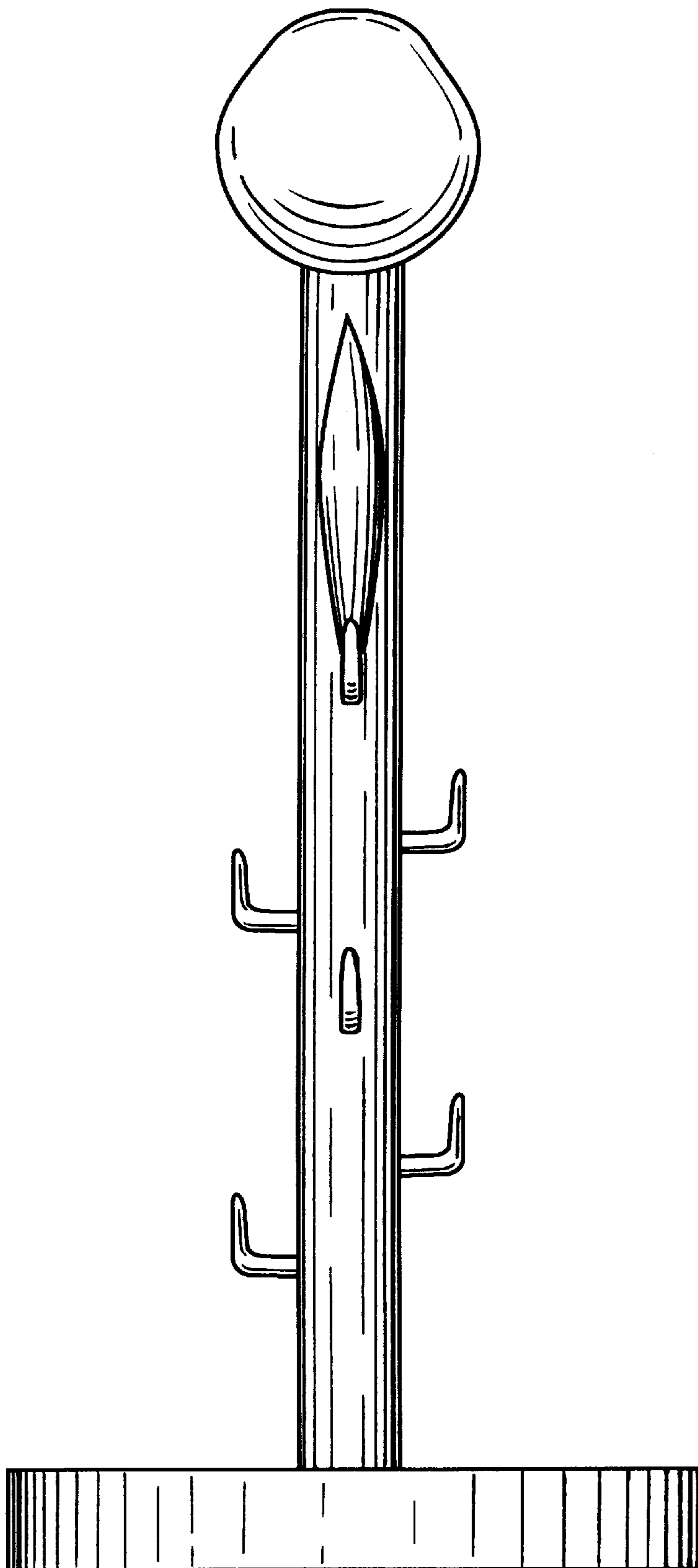


Fig. 3