



US00D430417S

# United States Patent [19] George

[11] **Patent Number: Des. 430,417**

[45] **Date of Patent: \*\* Sep. 5, 2000**

[54] **SIDE CHAIR**

[75] Inventor: **Donald A. George**, Cincinnati, Ohio

[73] Assignee: **La-Z-Boy Incorporated**, Monroe, Mich.

[\*\*] Term: **14 Years**

[21] Appl. No.: **29/096,637**

[22] Filed: **Nov. 17, 1998**

[51] **LOC (7) Cl.** ..... **06-01**

[52] **U.S. Cl.** ..... **D6/379**

[58] **Field of Search** ..... D6/334, 370, 374,  
D6/379, 380, 500, 501, 502; 297/446.1

[56] **References Cited**

### U.S. PATENT DOCUMENTS

D. 311,098	10/1990	Lee et al.	.....	D6/380
D. 333,925	3/1993	Ricchio, Jr. et al.	.....	D6/370
D. 350,445	9/1994	Chororos et al.	.....	D6/379
D. 357,369	4/1995	Klein	.....	D6/380
D. 358,041	5/1995	Watts	.....	D6/379
D. 358,267	5/1995	Ginat	.....	D6/379
D. 396,365	7/1998	Lizell	.....	D6/500
D. 405,286	2/1999	James et al.	.....	D6/379
D. 409,408	5/1999	James et al.	.....	D6/379

### OTHER PUBLICATIONS

La-Z-Boy Business Furniture Catalog, pp. 76-77; regarding Elegant Series chairs, undated.

Transitional catalog, p. 186; regarding Whitehall Furniture®, 380 Series chairs, undated.

Express Seating catalog, p. 195; regarding National Office Furniture Co., Timberlane Series chairs, undated.

Patrician Seating catalog, p. 53; regarding Elements Series chairs, undated.

Patrician Seating catalog, p. 53; regarding Occasion Series chairs, undated.

Patrician Seating catalog, p. 53; regarding Debs Series chairs, undated.

*Primary Examiner*—Gary D. Watson

*Attorney, Agent, or Firm*—Harness, Dickey & Pierce, P.L.C.

### [57] CLAIM

The ornamental design for a side chair, as shown and described.

### DESCRIPTION

FIG. 1 is a front perspective view of a side chair according to my new design;

FIG. 2 is a side elevational view of my new design, the opposite side being a mirror image thereof;

FIG. 3 is a front elevational view of my new design;

FIG. 4 is a rear elevational of my new design; and,

FIG. 5 is a top plan view of my new design.

**1 Claim, 2 Drawing Sheets**

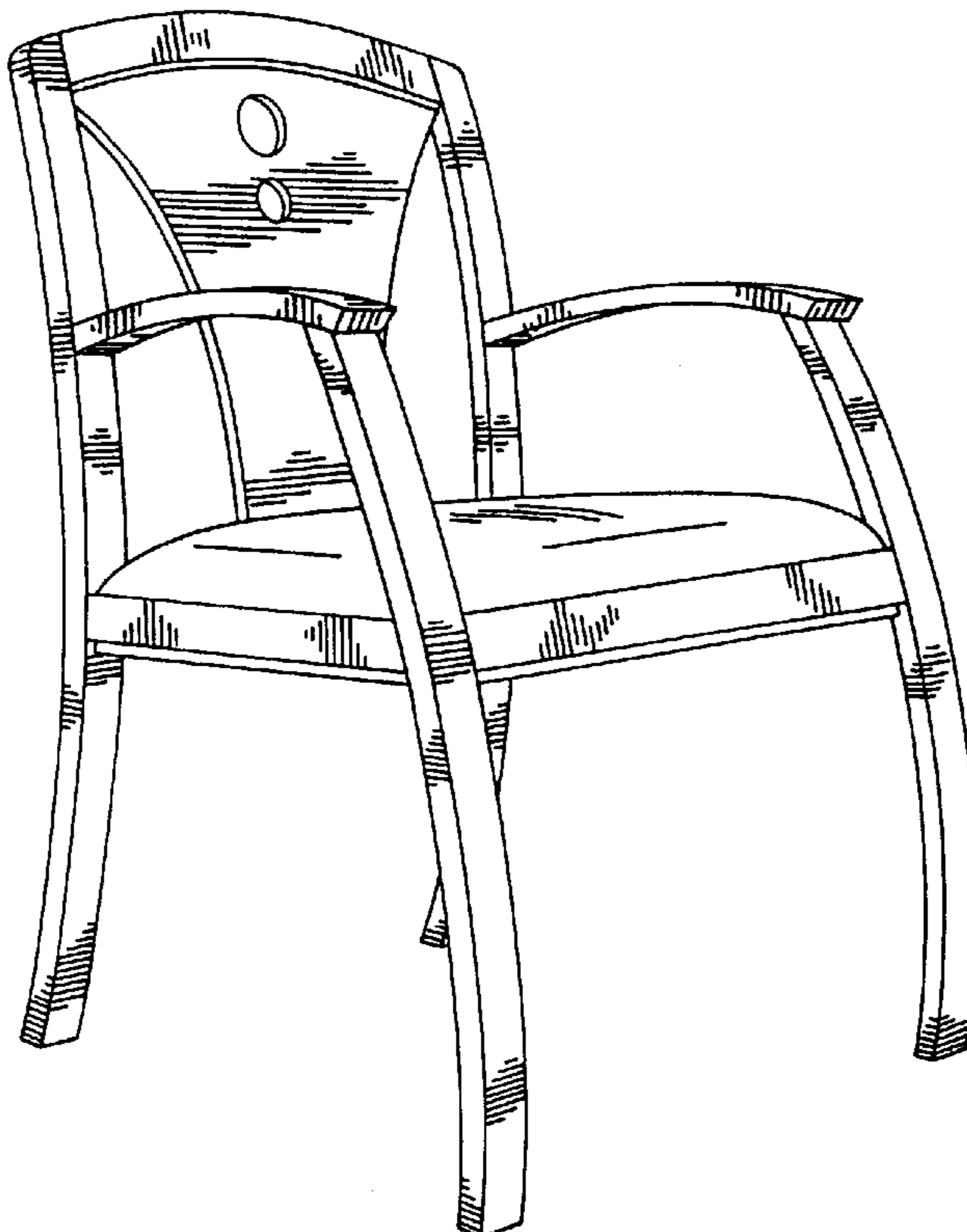


FIG 1

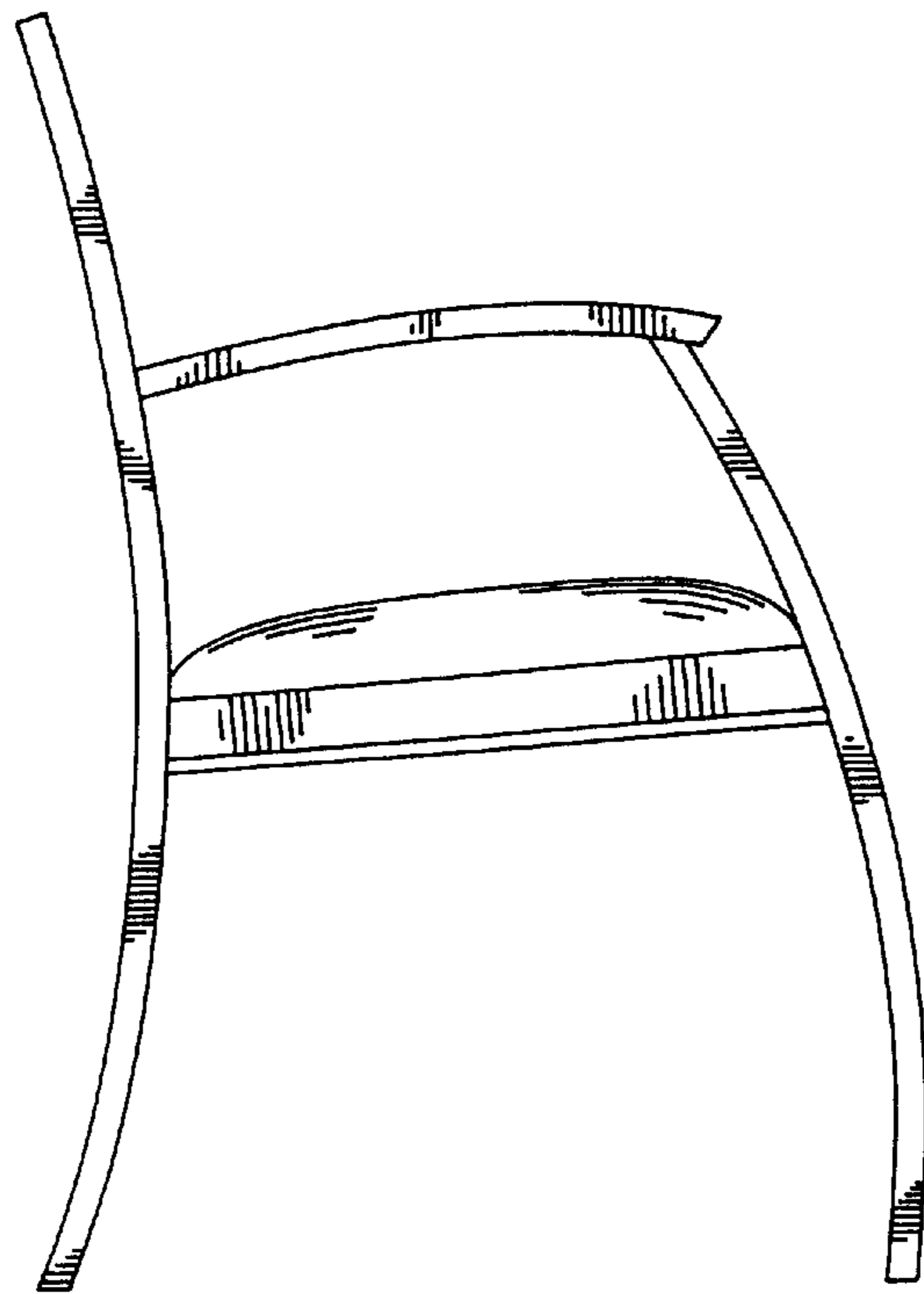
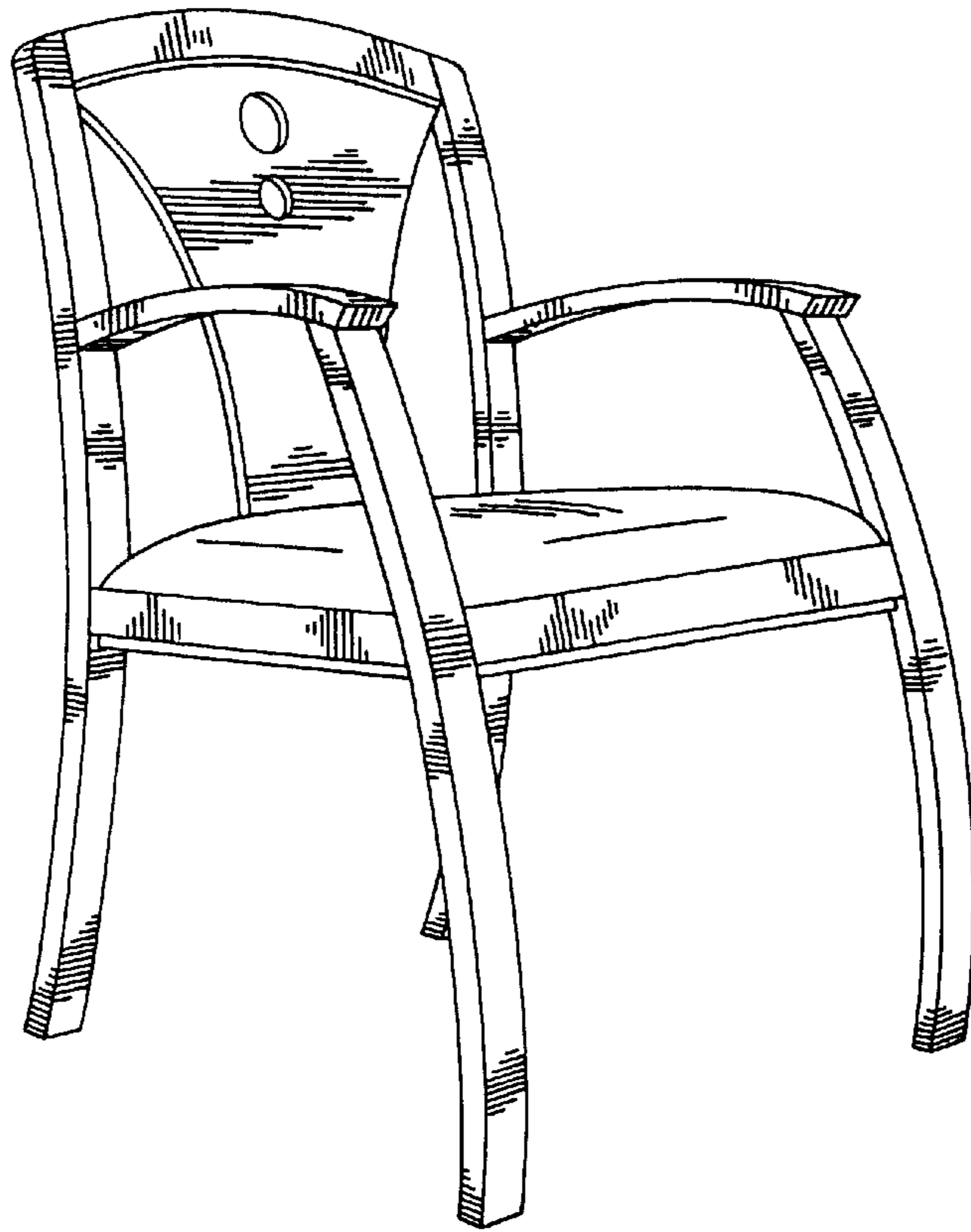


FIG 2

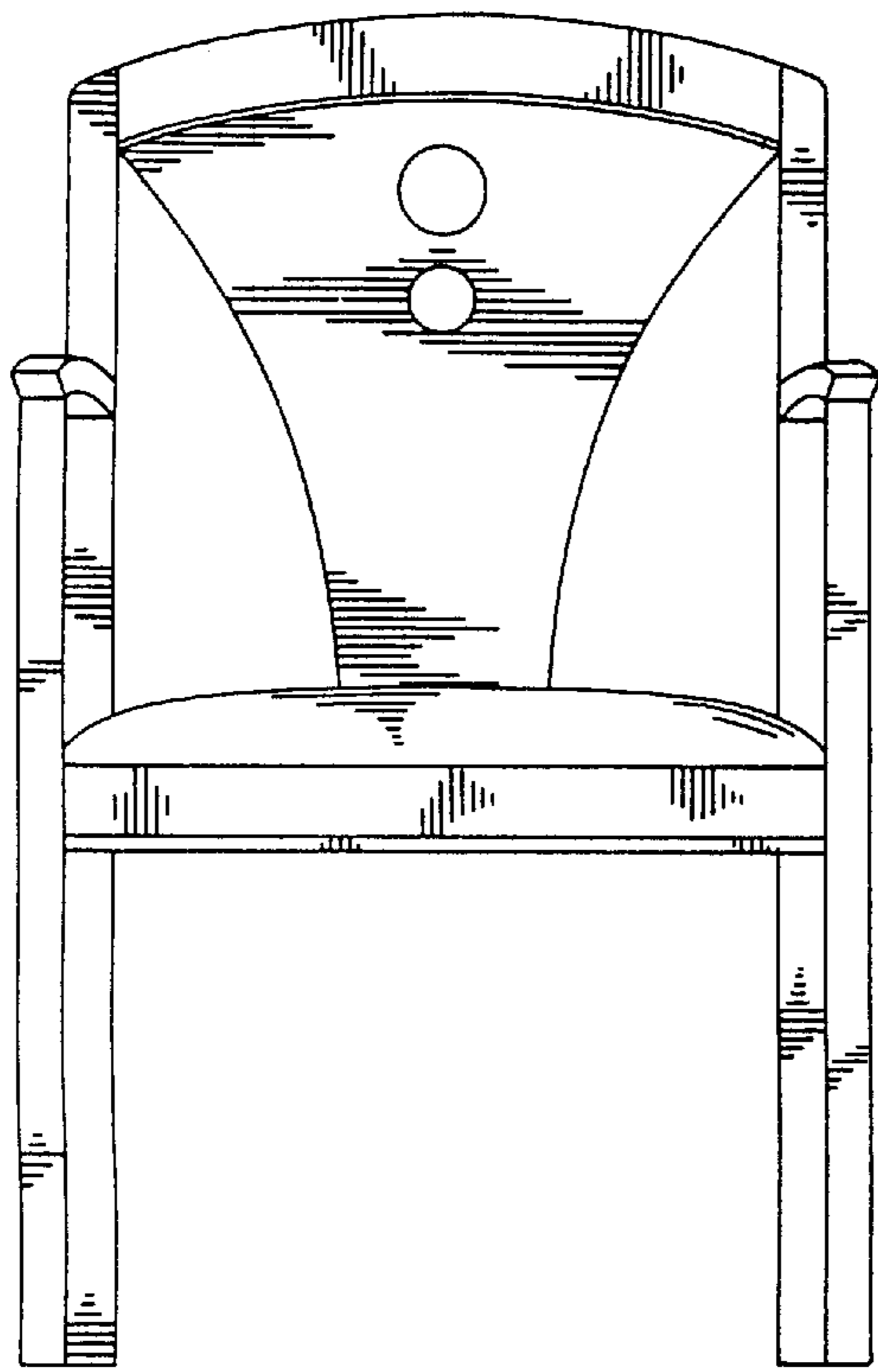


FIG 3

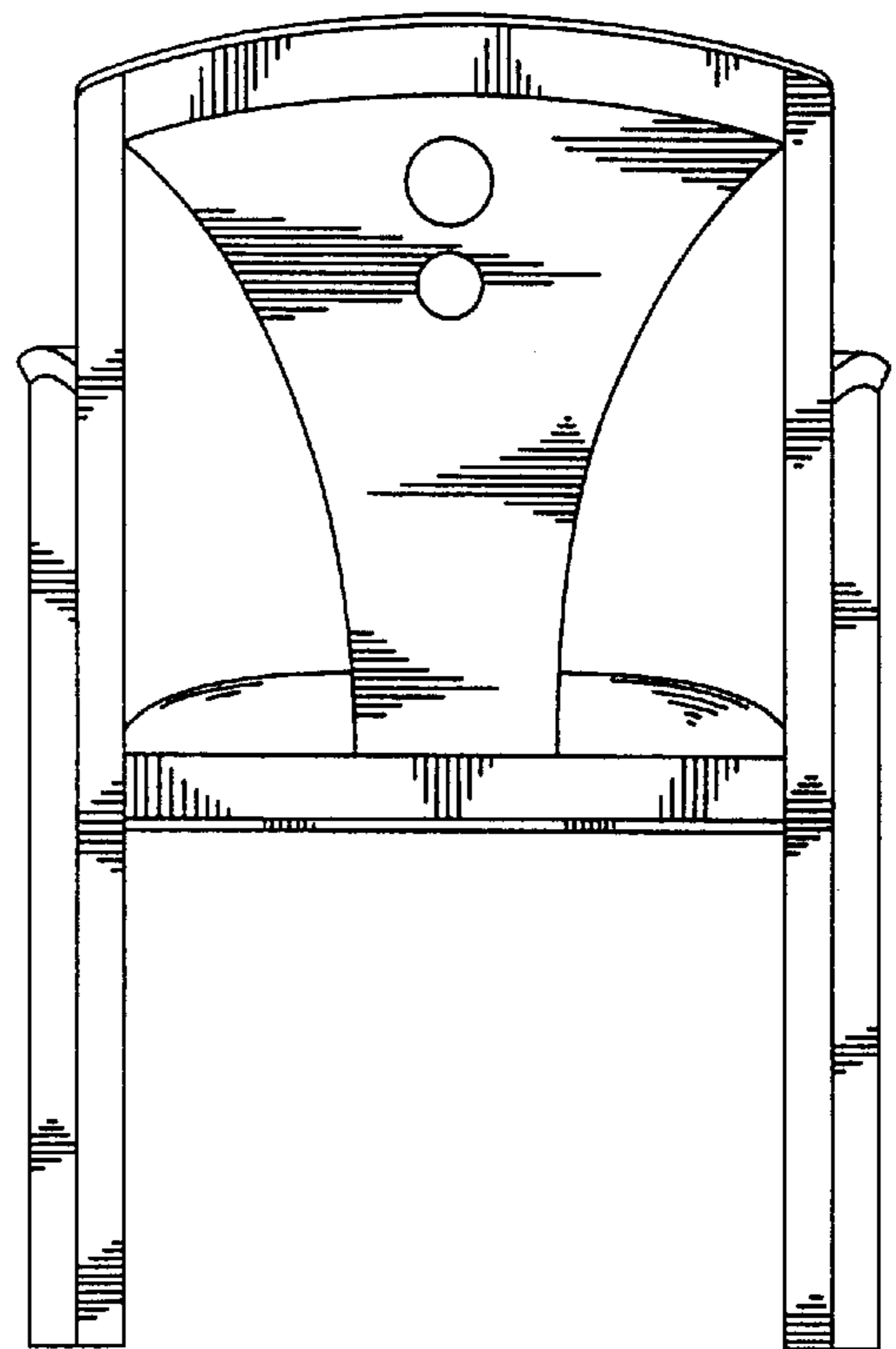


FIG 4

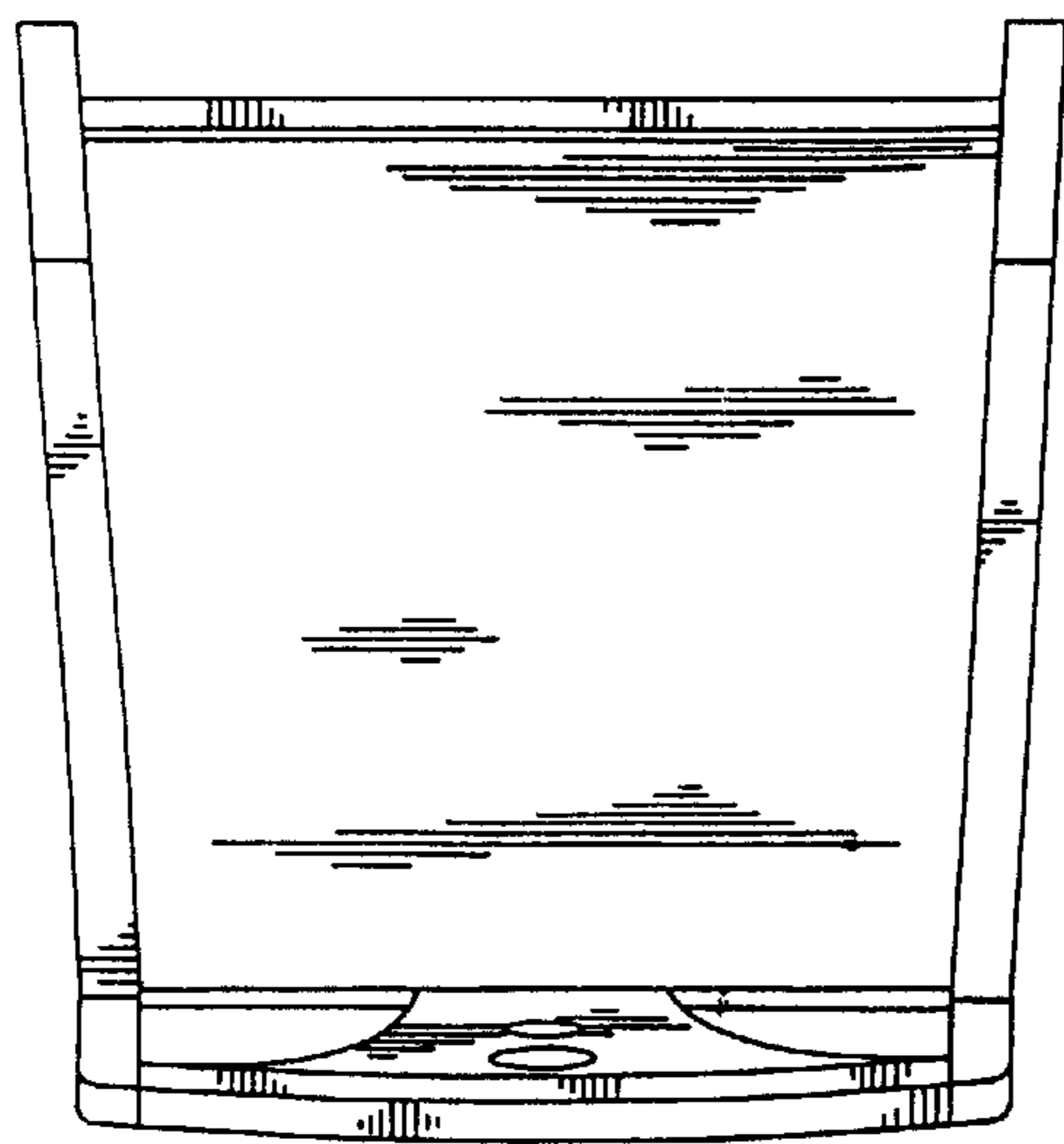


FIG 5