



US00D430409S

# United States Patent [19]

Lewis

[11] Patent Number: **Des. 430,409**

[45] Date of Patent: **\*\* Sep. 5, 2000**

[54] **SET OF A SURFACE PATTERNS FOR A TAPESTRY FOR A CHAIR**

[76] Inventor: **Sally Sirkin Lewis**, 715 Canon Dr., Beverly Hills, Calif. 90210

[\*\*] Term: **14 Years**

[21] Appl. No.: **29/111,756**

[22] Filed: **Oct. 5, 1999**

[51] **LOC (7) Cl.** ..... **05-03**

[52] **U.S. Cl.** ..... **D5/62; D5/99; D6/500**

[58] **Field of Search** ..... D5/20, 35, 55, D5/60, 61, 62, 99; 428/187, 542.2, 542.6, 904.4; D6/334, 379, 380, 500, 501, 502, 611

[56] **References Cited**

**U.S. PATENT DOCUMENTS**

- D. 50,887 6/1917 Godfrey .
- D. 51,109 8/1917 Hanson et al. .
- D. 51,320 10/1917 Nathan .
- D. 68,724 11/1925 Marwede ..... D5/62
- D. 78,731 6/1929 Danzer .
- D. 88,196 11/1932 Willheim ..... D5/62
- D. 88,528 12/1932 George .
- D. 88,693 12/1932 Villani ..... D5/62
- D. 88,826 12/1932 Roberson ..... D5/62
- D. 89,266 2/1933 Schweizer .
- D. 89,357 2/1933 Rubinger ..... D5/62
- D. 91,880 4/1934 Herrel .
- D. 96,016 6/1935 Bruine ..... D5/62
- D. 100,433 7/1936 Martin ..... D5/62
- D. 101,988 11/1936 Heim .
- D. 103,093 2/1937 Chiat .
- D. 105,961 9/1937 Mallinson ..... D5/62
- D. 109,423 4/1938 Salomon .
- D. 113,303 2/1939 Kornfeld .
- D. 119,495 3/1940 Grivin .
- D. 121,041 6/1940 Orian .
- D. 122,735 9/1940 Christen .
- D. 125,471 2/1941 Hand .

- D. 125,955 3/1941 Lebworth .
- D. 129,252 8/1941 Zavell .
- D. 129,870 10/1941 Maisch .
- D. 155,527 10/1949 Minger .
- D. 168,703 1/1953 Odzer ..... D5/62
- D. 186,259 9/1959 Howell .
- D. 191,936 12/1961 McEwan .
- D. 283,973 5/1986 Hougaard ..... D5/62
- D. 317,085 5/1991 Cerny .
- D. 342,629 12/1993 Tseng ..... D6/370
- D. 364,743 12/1995 Lewis .
- D. 373,253 9/1996 Maple ..... D6/370
- 5,067,771 11/1991 Ellis ..... D6/500

*Primary Examiner*—Robert M. Spear  
*Attorney, Agent, or Firm*—Finnegan, Henderson, Farabow, Garrett & Dunner, L.L.P.

[57] **CLAIM**

The ornamental design for set of surface patterns for a tapestry for a chair, as shown and described.

**DESCRIPTION**

FIG. 1 is a front side perspective view of a set of surface patterns for a tapestry for a chair, showing my new design embodied in a chair;

FIG. 2 is a rear, side perspective view thereof;

FIG. 3 is a front view thereof;

FIG. 4 is a top plan view thereof;

FIG. 5 is a left side elevational view thereof, the opposite side elevational view being a mirror image thereof;

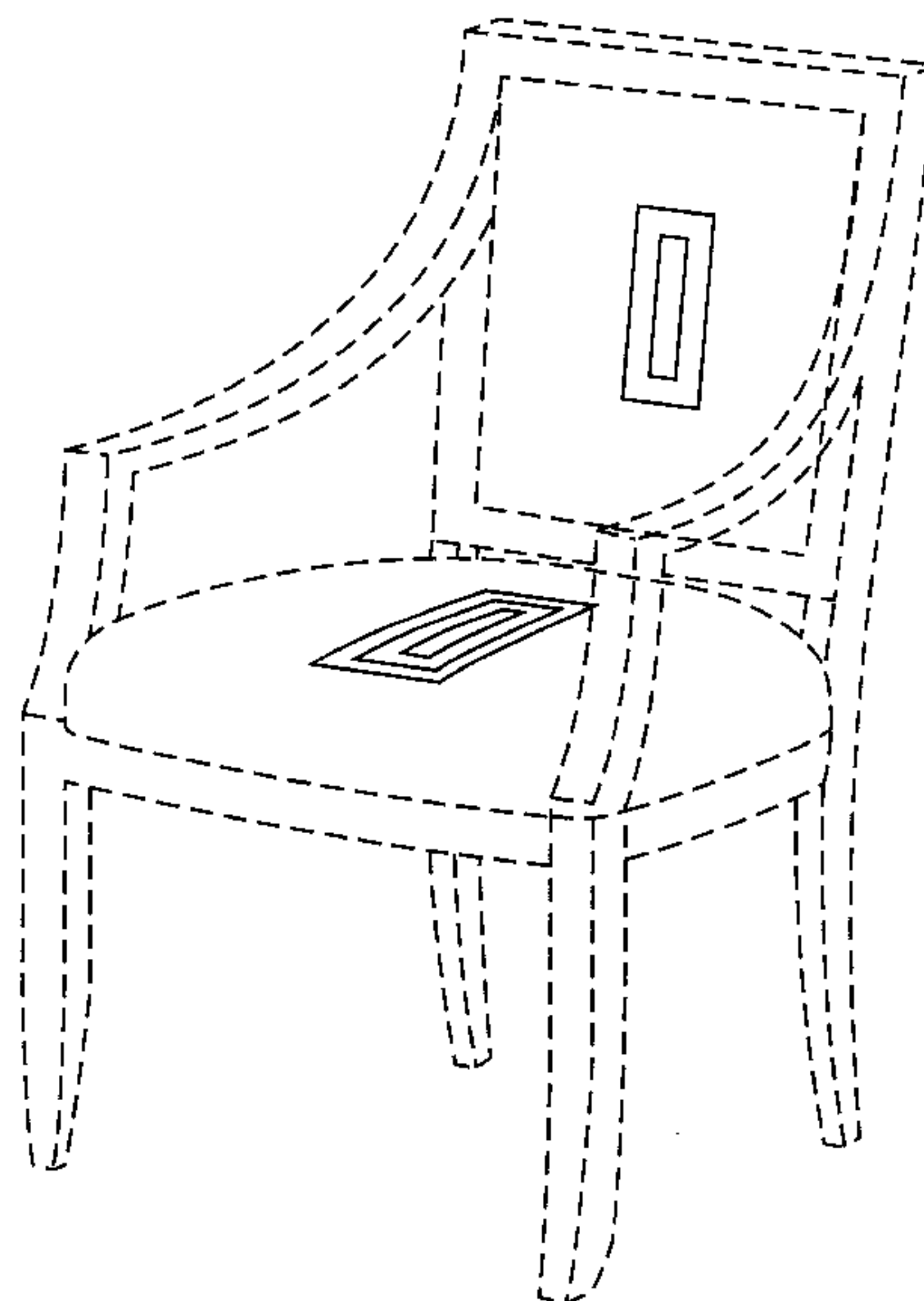
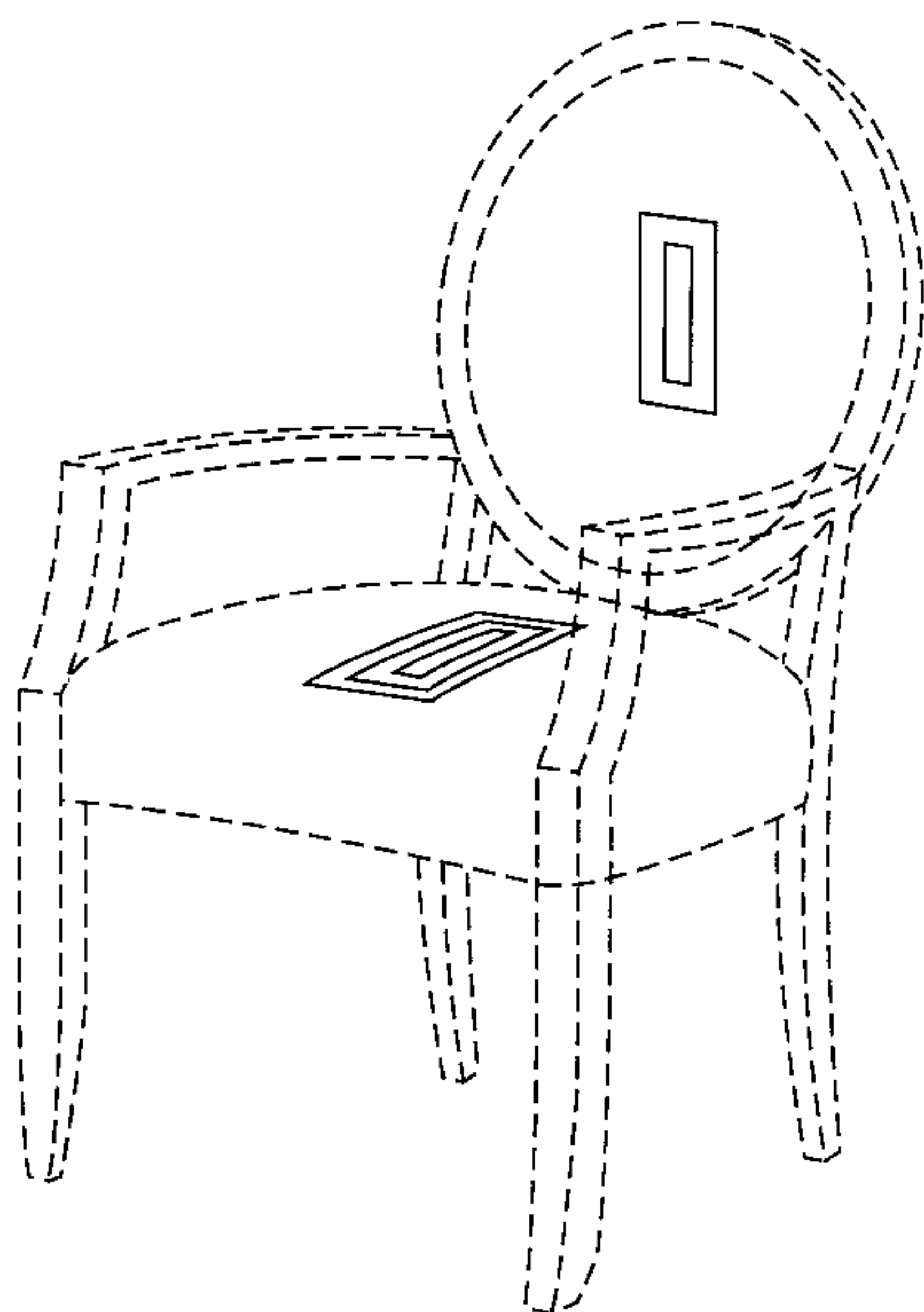
FIG. 6 is a rear elevational view thereof;

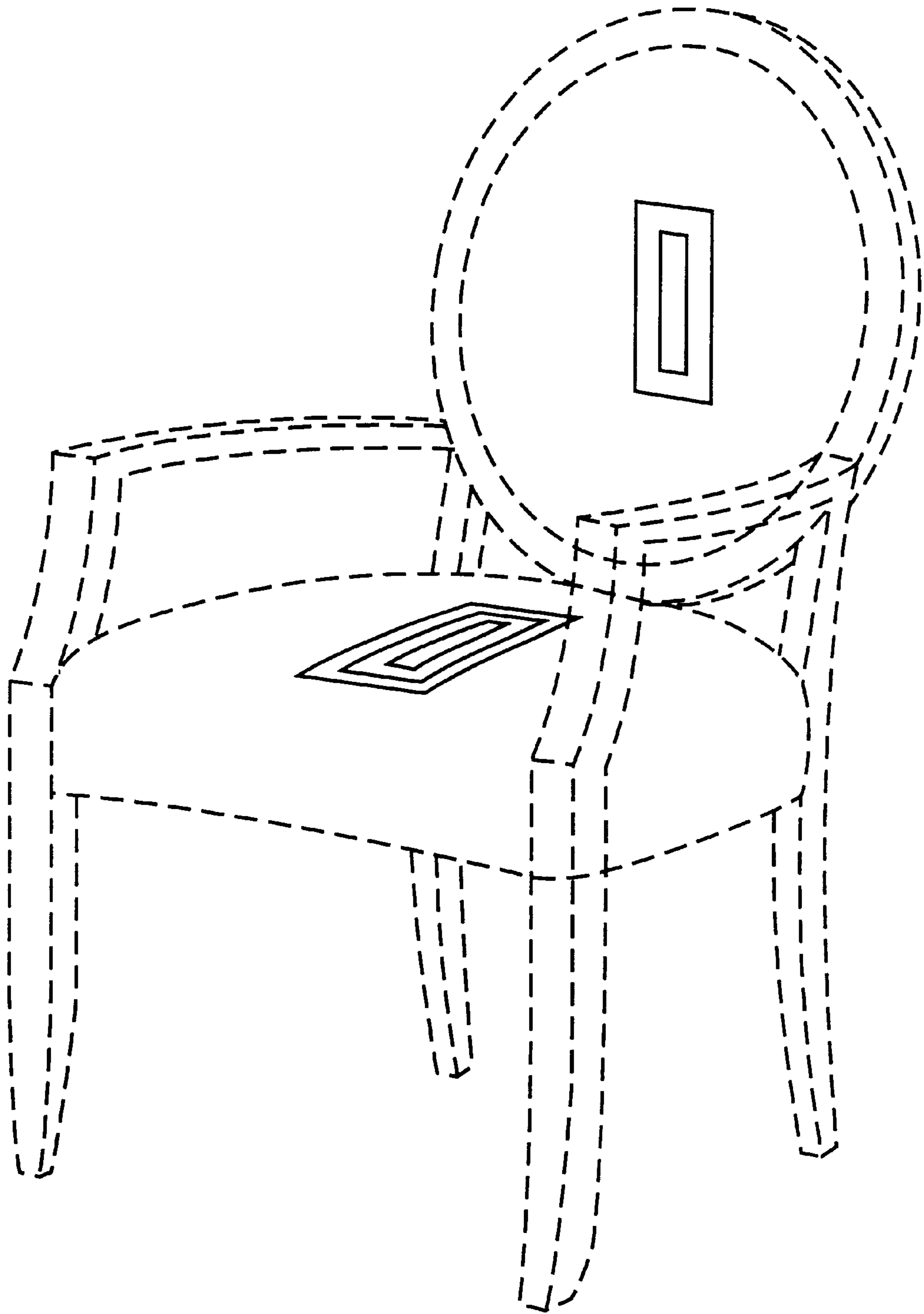
FIG. 7 is a front, side perspective view of a set of surface patterns for a tapestry for a chair, showing my new design embodied in an alternate style of chair; and,

FIG. 8 is a rear, side perspective view thereof.

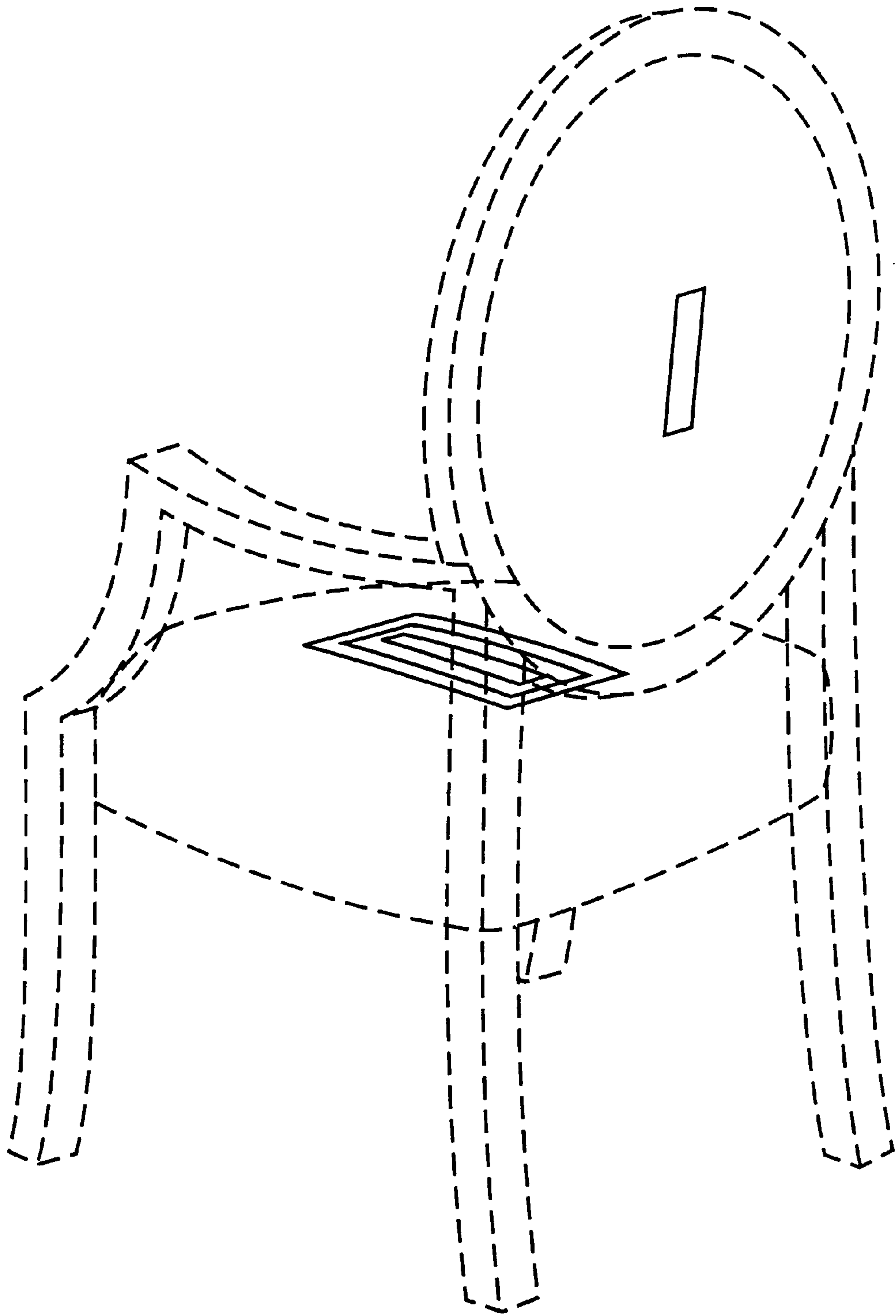
In the drawings, the broken lines adjacent to each pattern define the boundaries of the claimed patterns as well as the tapestry to which the patterns are applied; the broken line showings of a chair are for illustrative purposes only. The broken lines form no part of the claimed design.

**1 Claim, 8 Drawing Sheets**

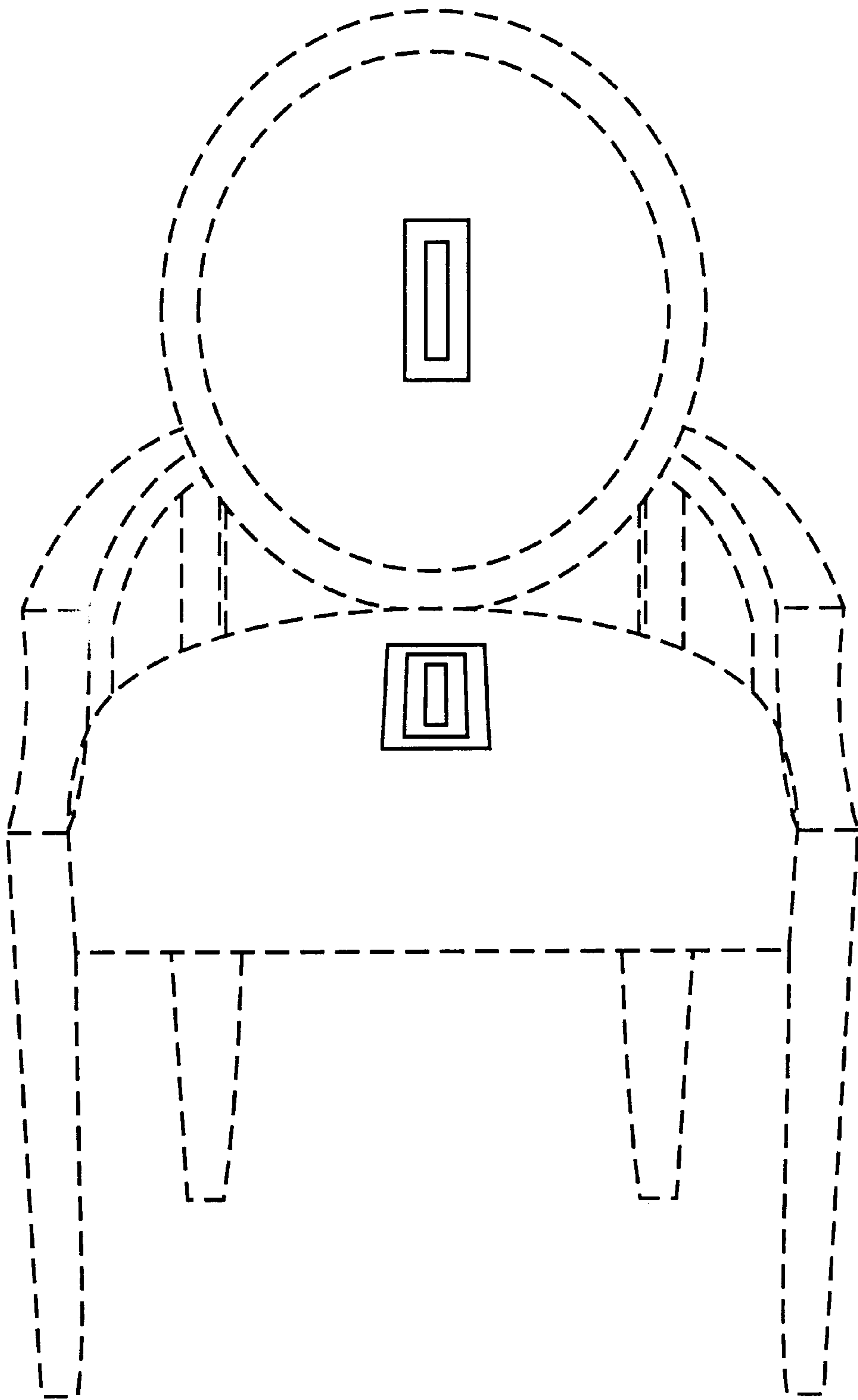




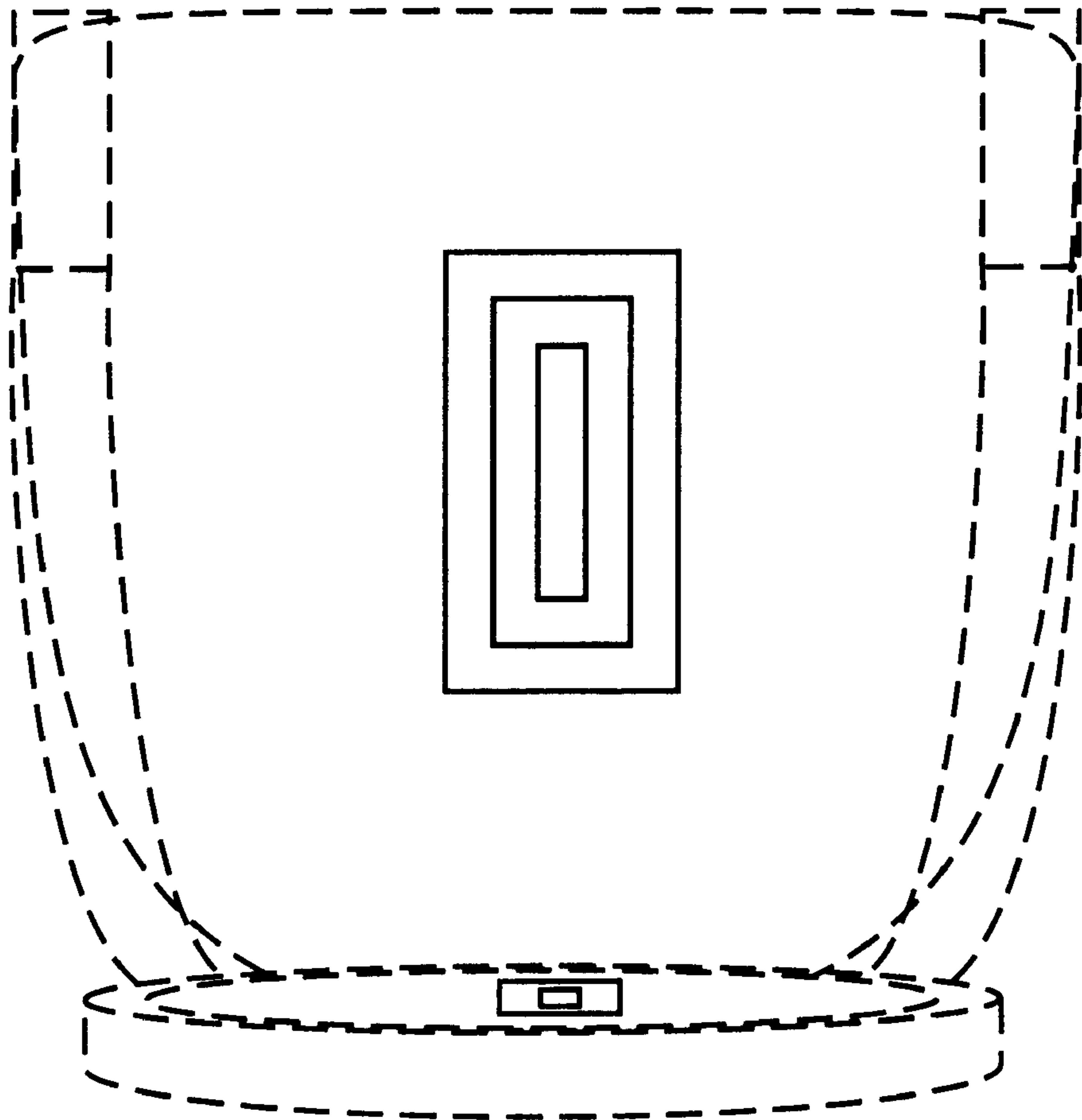
**FIG. 1**



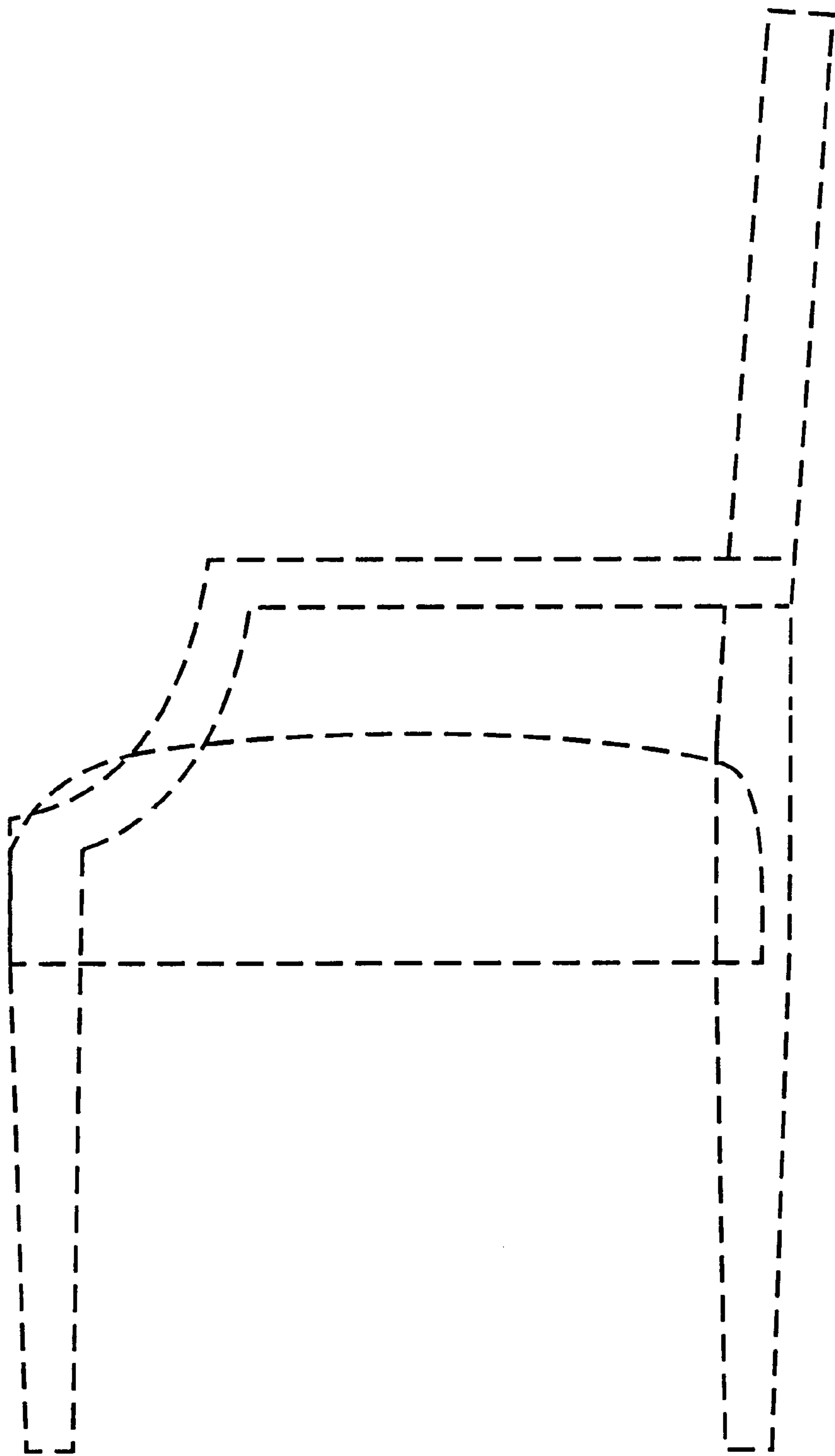
**FIG. 2**



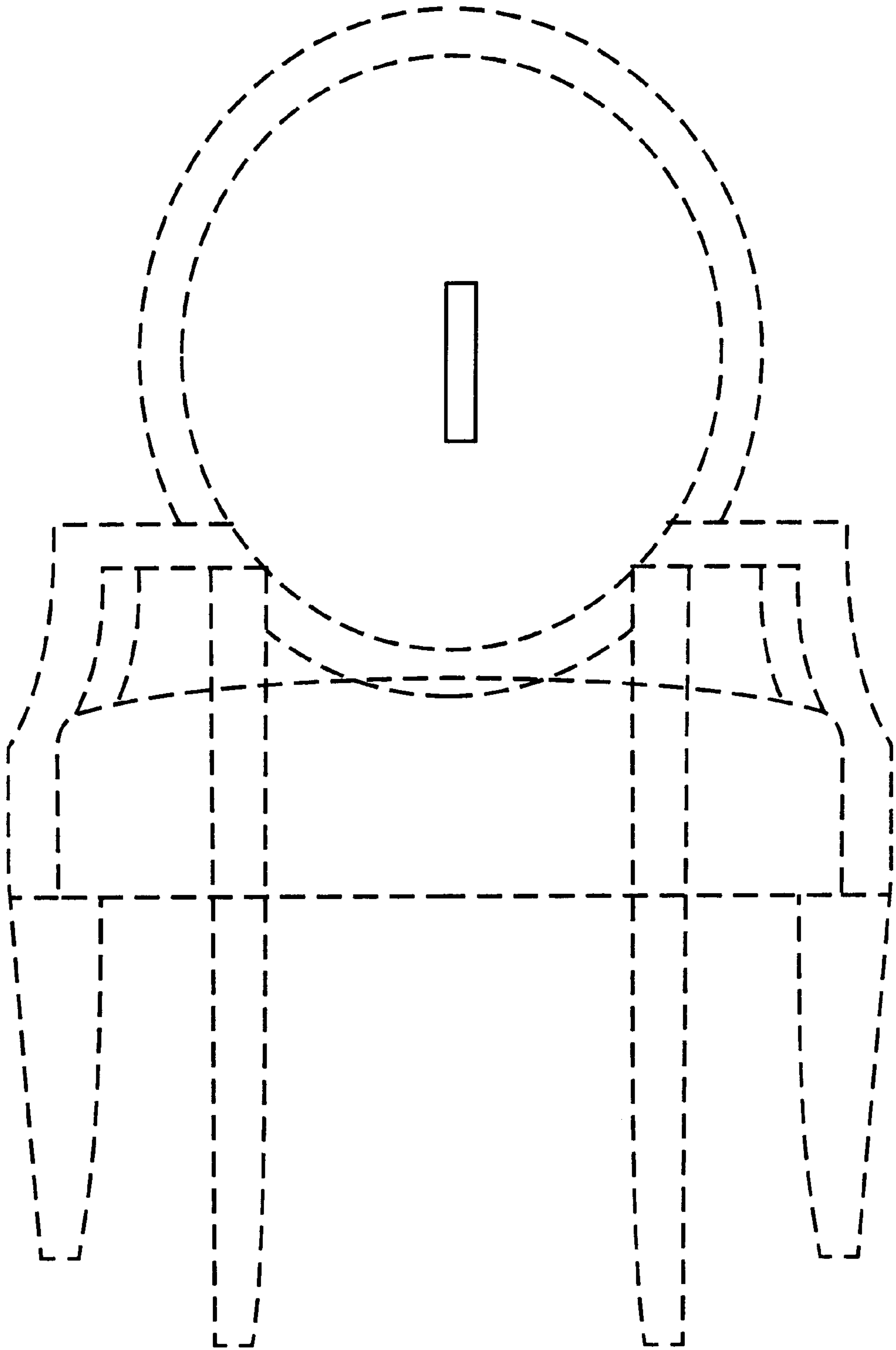
**FIG. 3**



**FIG. 4**

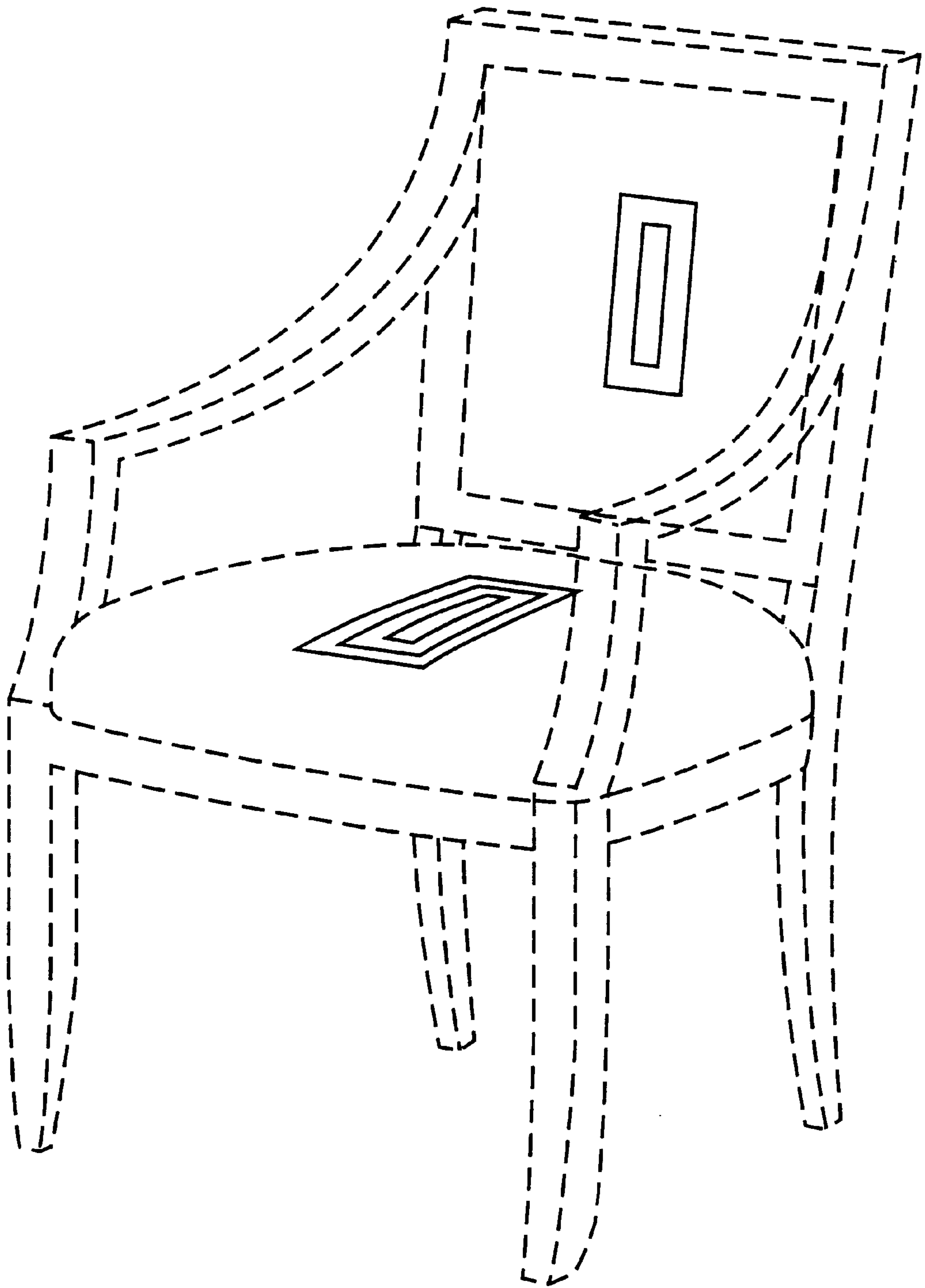


**FIG. 5**



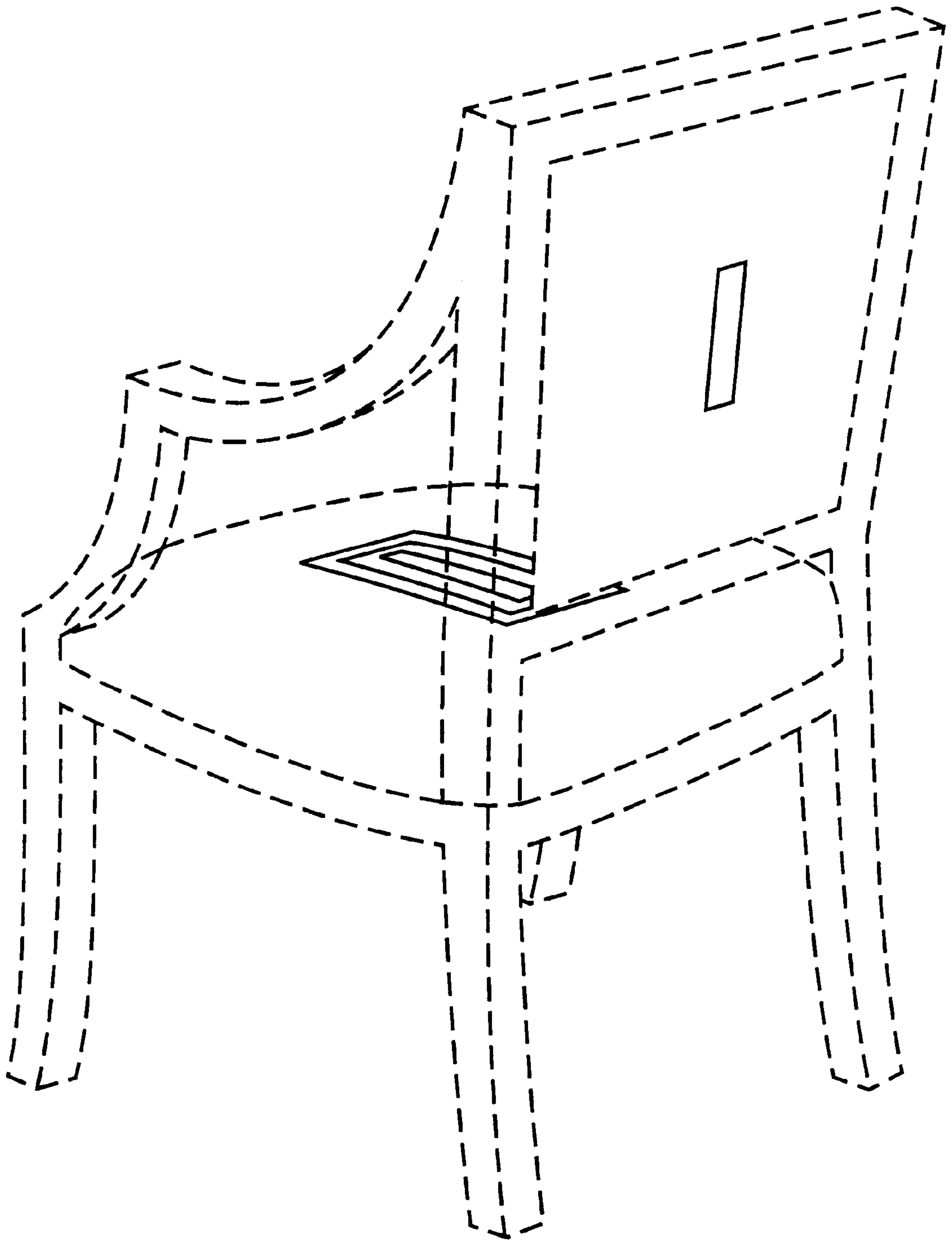
**FIG. 6**





**FIG. 7**





**FIG. 8**