



US00D430398S

# United States Patent [19] Kimura

[11] Patent Number: **Des. 430,398**

[45] Date of Patent: **\*\* Sep. 5, 2000**

[54] **CASE FOR INTERCHANGEABLE LENS**

[75] Inventor: **Hiroyuki Kimura**, Tanashi, Japan

[73] Assignee: **Canon Kabushiki Kaisha**, Tokyo, Japan

[\*\*] Term: **14 Years**

[21] Appl. No.: **29/114,153**

[22] Filed: **Nov. 19, 1999**

[30] **Foreign Application Priority Data**

May 28, 1999 [JP] Japan ..... 11-013966

[51] **LOC (7) Cl.** ..... **03-01**

[52] **U.S. Cl.** ..... **D3/294; D3/291; D3/281; D3/273; D3/284**

[58] **Field of Search** ..... D3/273, 276, 281, D3/282, 283, 291, 294, 319; 190/100, 109, 110; 206/316.1, 316.2, 349, 372, 373

[56] **References Cited**

**U.S. PATENT DOCUMENTS**

D. 209,372 11/1967 Schrman ..... D3/291  
D. 289,825 5/1987 Humphries ..... D3/319  
D. 291,139 7/1987 Warwicker ..... D3/281

D. 326,777 6/1992 Newby, Jr. .... D3/319  
D. 353,265 12/1994 Newby, Sr. .... D3/276  
D. 371,906 7/1996 Peters ..... D3/291  
D. 391,760 3/1998 Zeller ..... D3/276  
4,008,790 2/1977 Eiteljorg, II ..... 206/316.2  
4,093,010 6/1978 Hunley et al. .... 206/316.2  
5,788,072 8/1998 Chen ..... 206/372  
5,915,554 6/1999 Hung ..... 206/372

*Primary Examiner*—Philip S. Hyder  
*Attorney, Agent, or Firm*—Fitzpatrick, Cella, Harper & Scinto

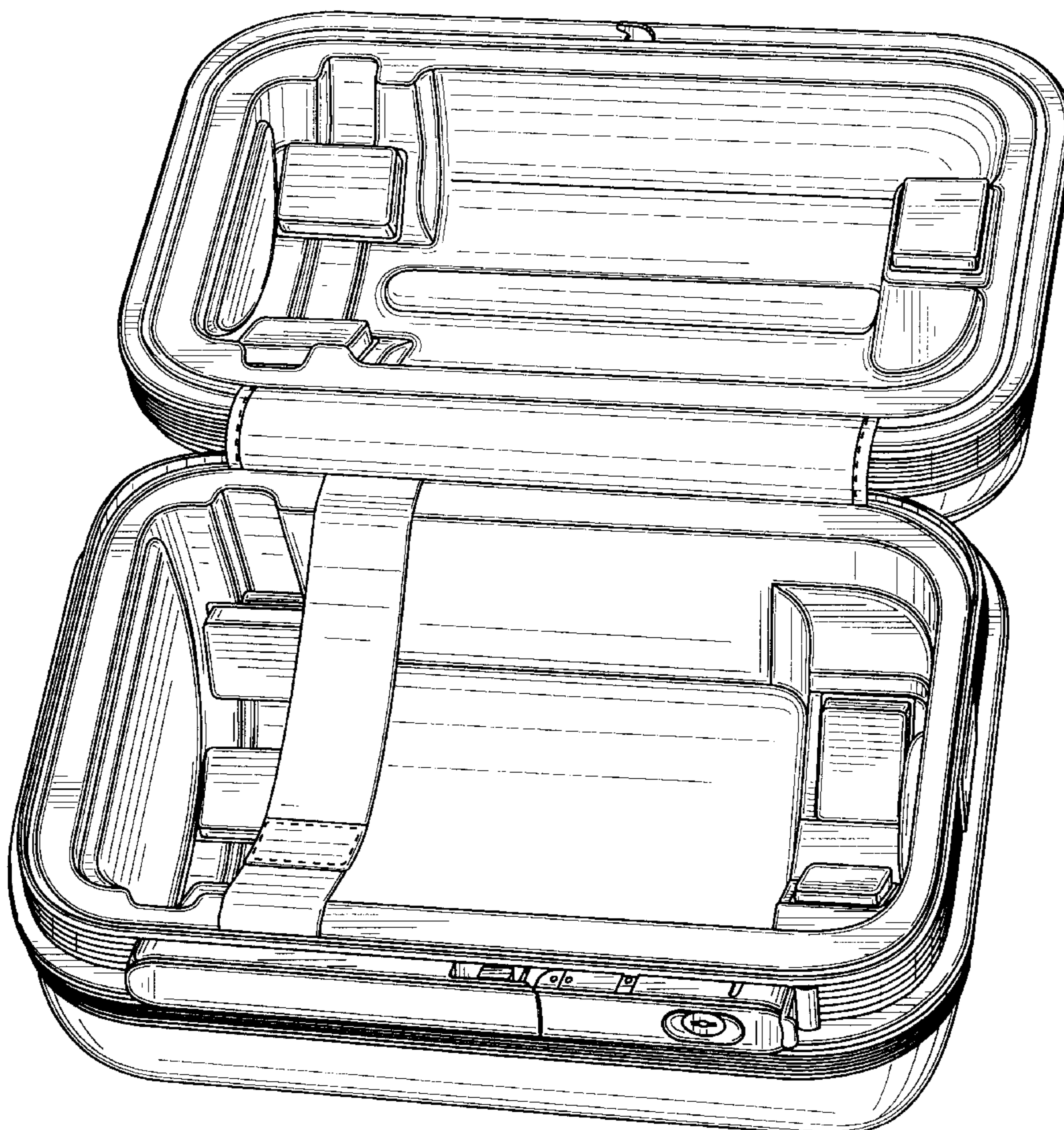
[57] **CLAIM**

The ornamental design for a case for interchangeable lens, as shown and described.

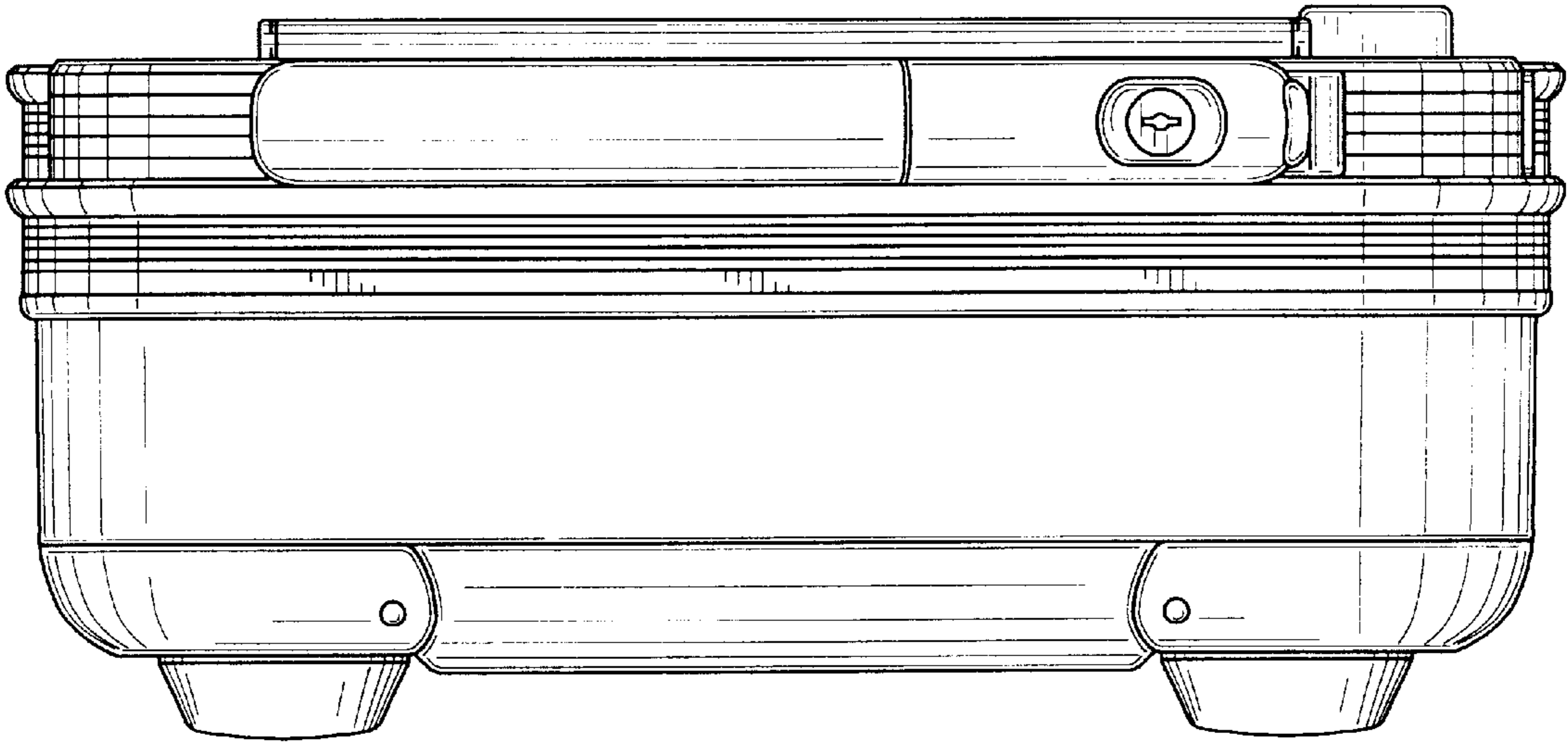
**DESCRIPTION**

FIG. 1 is a front view of a case for interchangeable lens showing my new design;  
FIG. 2 is a rear view thereof;  
FIG. 3 is a top plan view thereof;  
FIG. 4 is a bottom plan view thereof;  
FIG. 5 is a left side view thereof;  
FIG. 6 is a right side view thereof; and,  
FIG. 7 is a perspective view thereof.

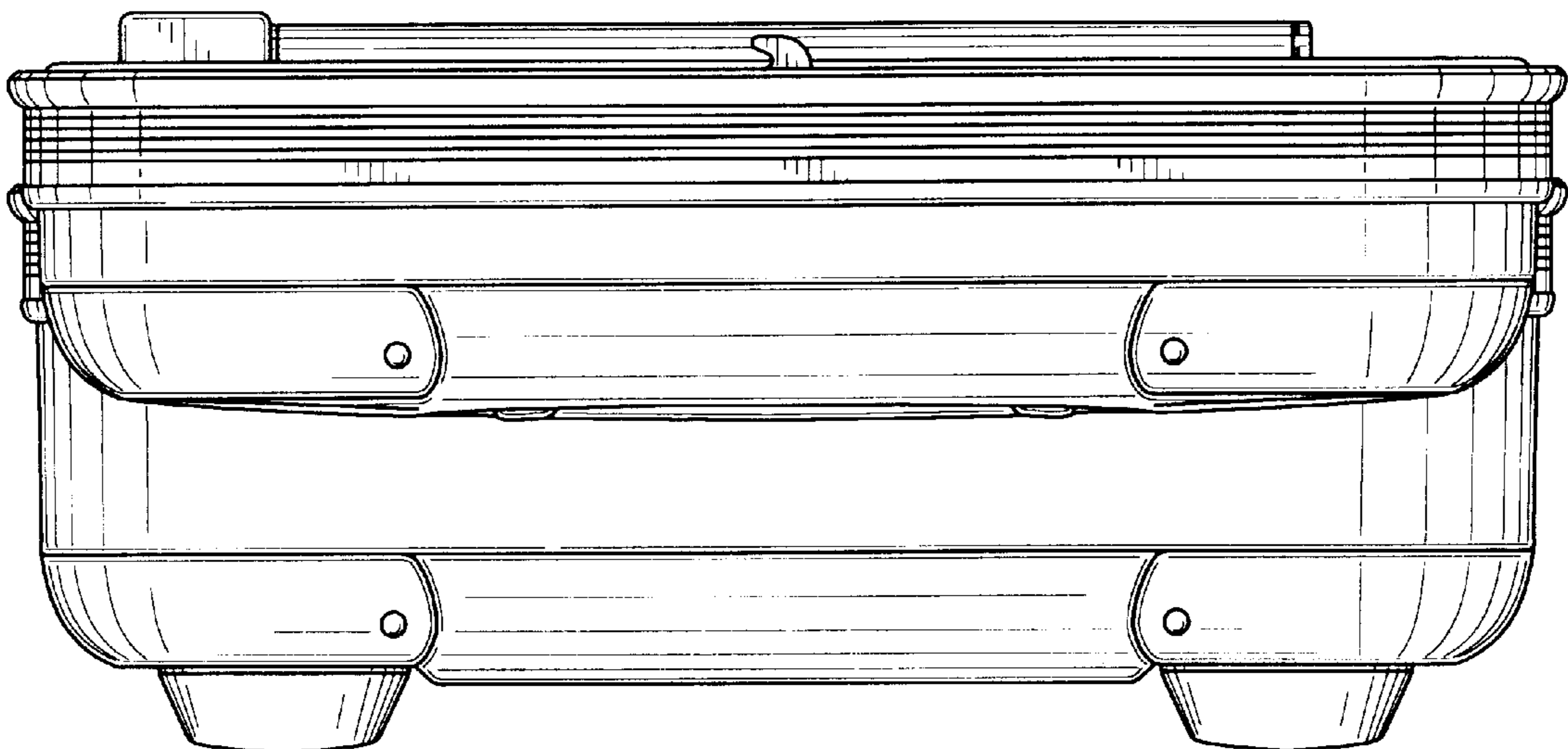
**1 Claim, 5 Drawing Sheets**



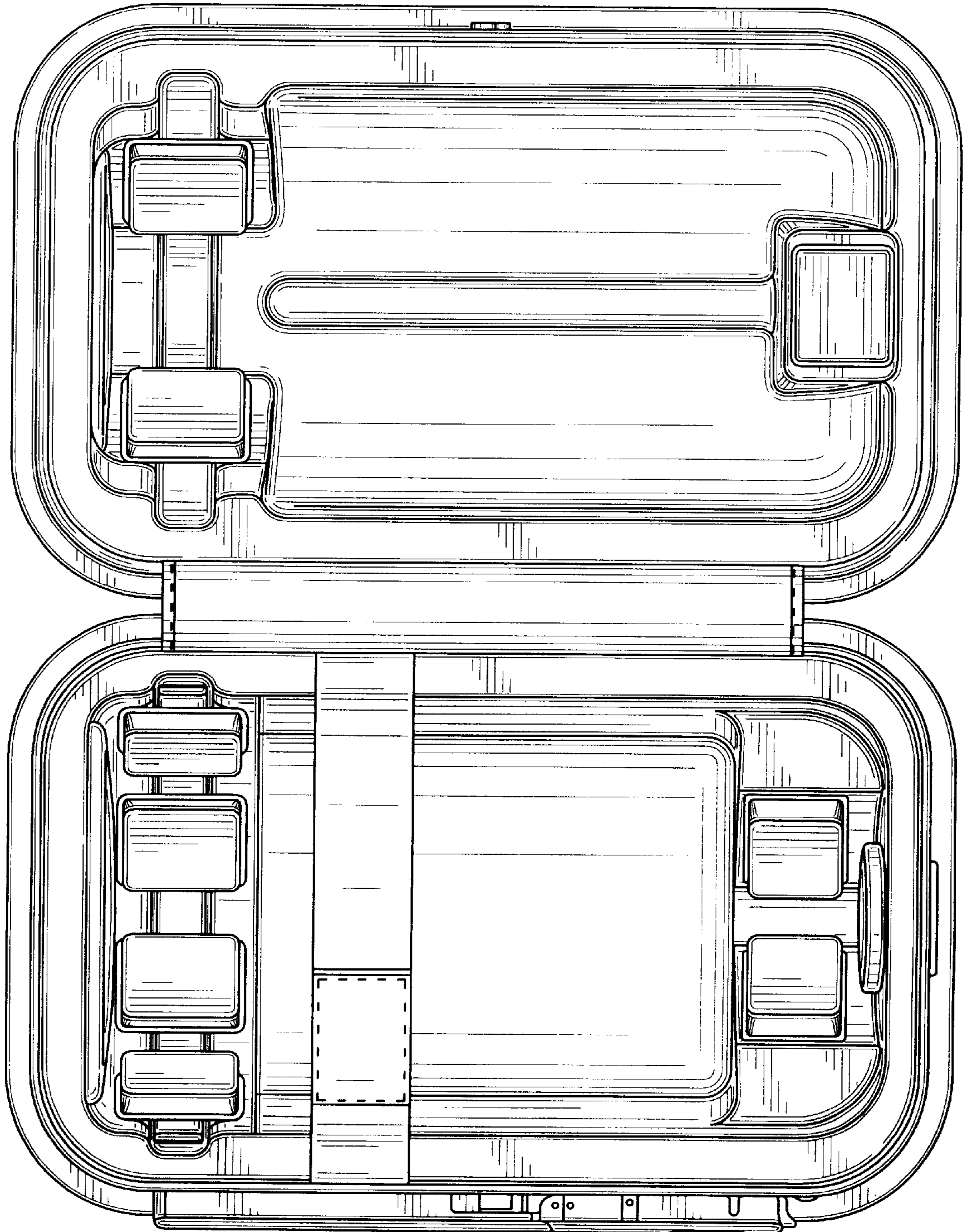
*FIG. 1*



*FIG. 2*

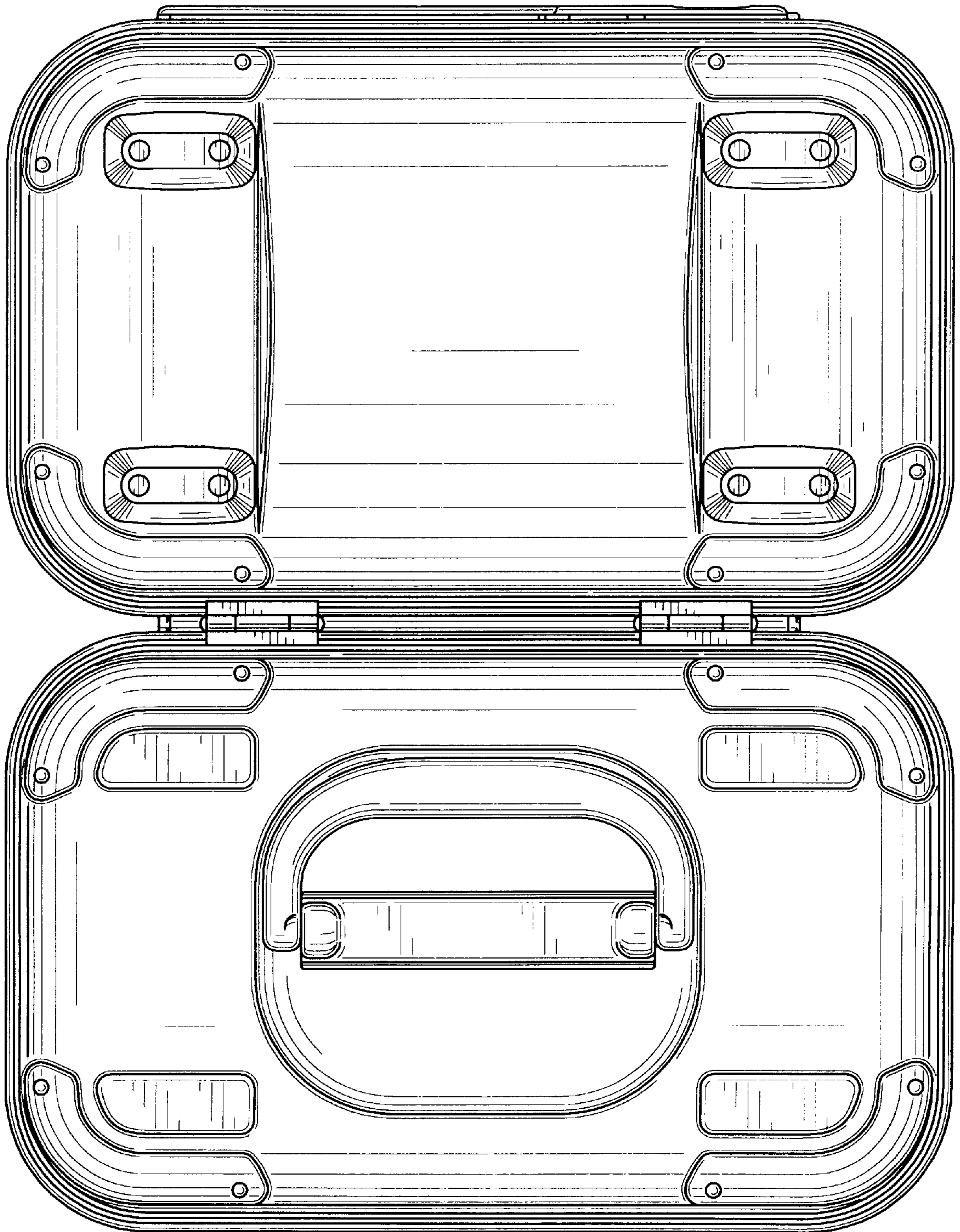


*FIG. 3*





*FIG. 4*



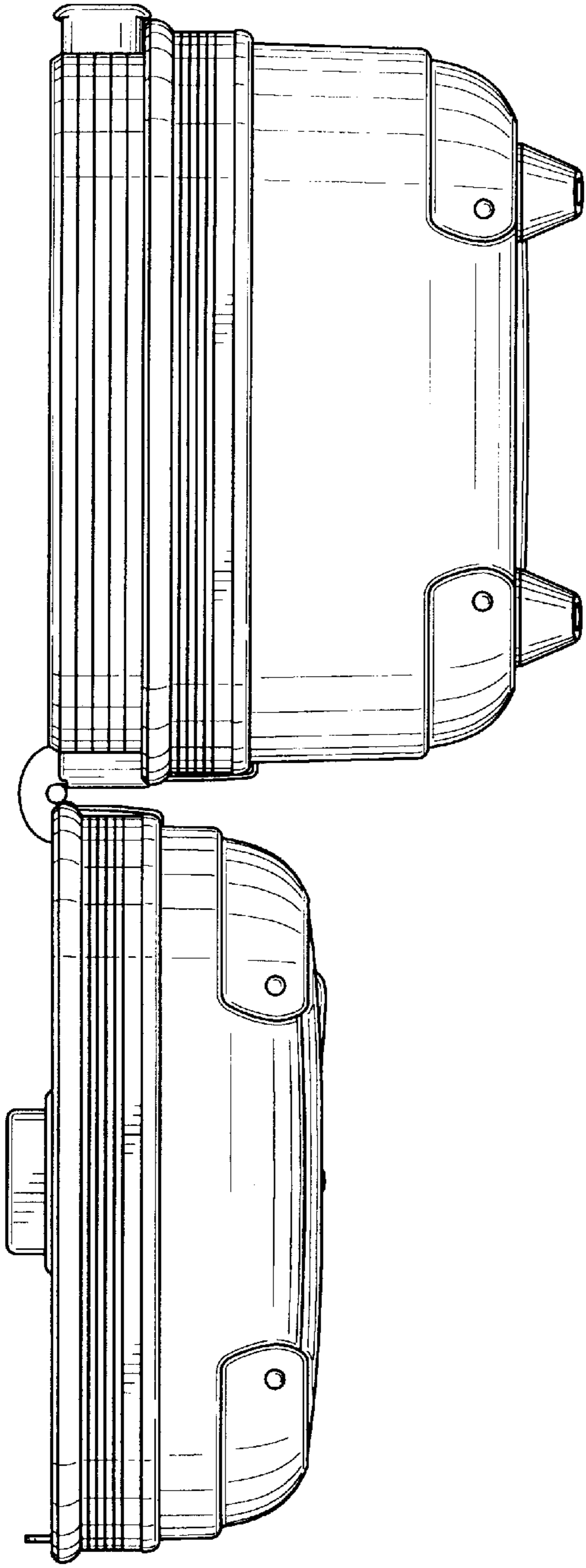


FIG. 5

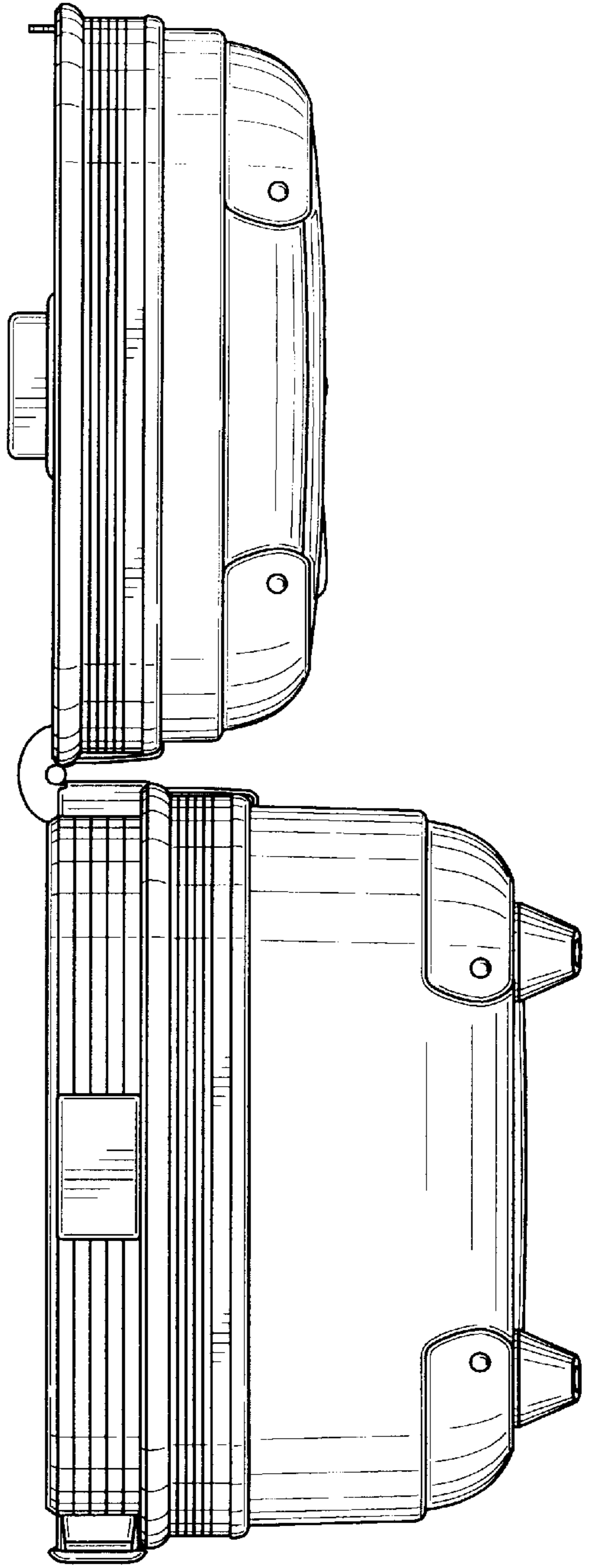


FIG. 6

FIG. 7

