

US00D430382S

United States Patent [19] Kelley

[11] Patent Number: Des. 430,382

[45] Date of Patent: ** Aug. 29, 2000

[54] COIN HOLDER

5,309,657 5/1994 Spencer 40/473

[76] Inventor: Albert L. Kelley, 1933 W. Holmes Rd.,
Lansing, Mich. 48910

Primary Examiner—Paula A. Mortimer
Attorney, Agent, or Firm—Dykema Gossett PLLC

[**] Term: 14 Years

[57] CLAIM

[21] Appl. No.: 29/113,242

The ornamental design for a coin holder, as shown and described.

[22] Filed: Oct. 28, 1999

DESCRIPTION

[51] LOC (7) Cl. 99-00

FIG. 1 is a front perspective view of a coin holder showing my new design;

[52] U.S. Cl. D99/34

FIG. 2 is a top view of the coin holder shown in FIG. 1;
FIG. 3 is a side elevational view of a first side of the coin holder shown in FIG. 1;

[58] Field of Search D99/28, 34, 35,
D99/36, 37, 43; D20/10, 1, 6, 21, 41; 40/584,
605, 606, 607, 564, 502, 565; 446/8, 9,
10, 11, 12, 13; 206/0.8, 0.81, 0.83, 0.84

FIG. 4 is a side elevational view of a second side of the coin holder shown in FIG. 1;

[56] References Cited

FIG. 5 is a side elevational view of a third side of the coin holder shown in FIG. 1; and,

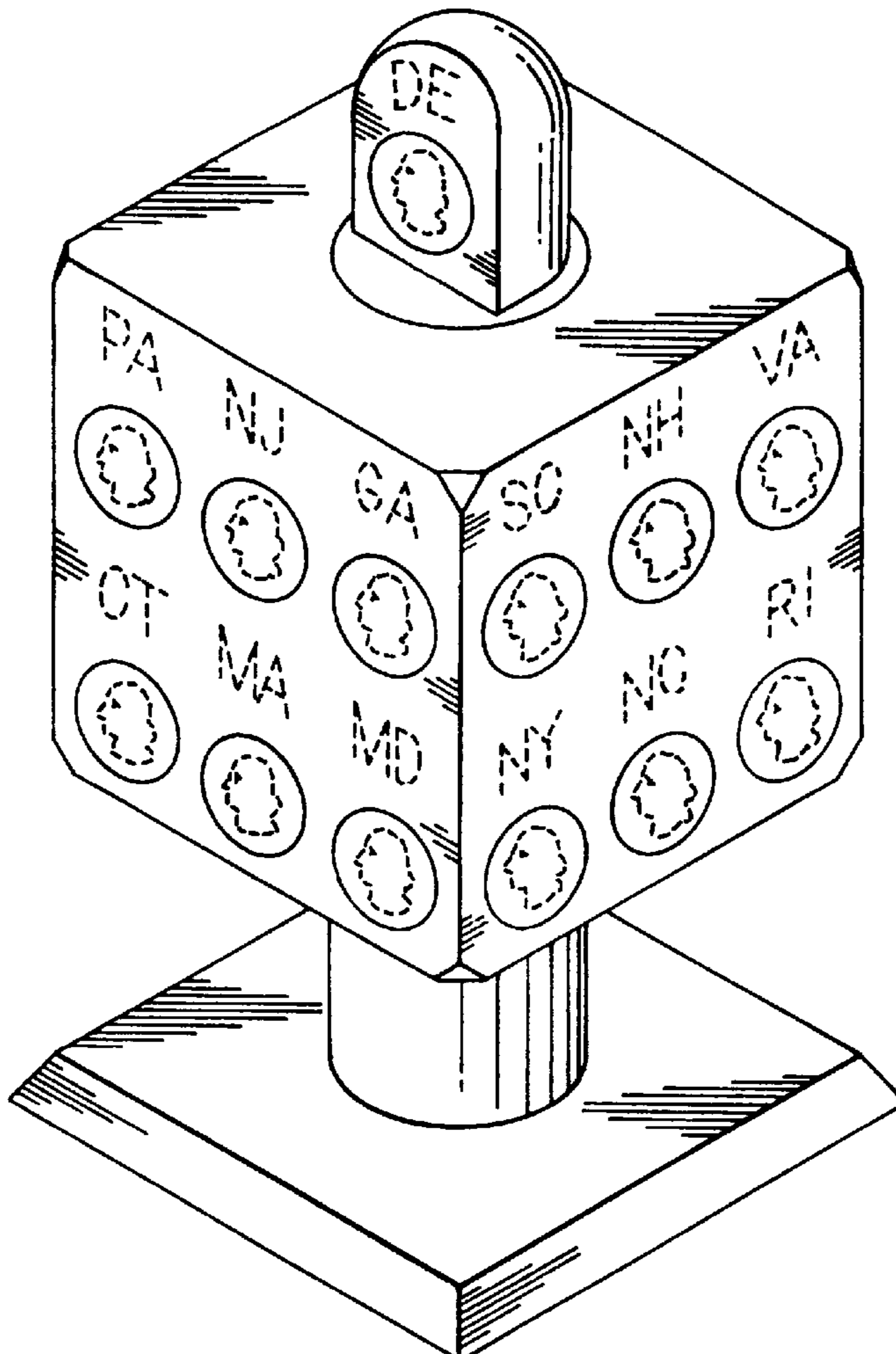
U.S. PATENT DOCUMENTS

FIG. 6 is a side elevational view of a fourth side of the coin holder shown in FIG. 1.

D. 176,959	2/1956	Lesiowski	D99/28
D. 402,784	12/1998	Saunders	D99/34
D. 409,666	5/1999	Soifer	D20/21
1,915,236	6/1933	Messner et al.	40/502
2,772,494	12/1956	Bishop	40/605
4,608,773	9/1986	White	40/584

The broken lines showing coin faces and state abbreviations are for illustrative purposes only and form no part of the claimed design.

1 Claim, 2 Drawing Sheets



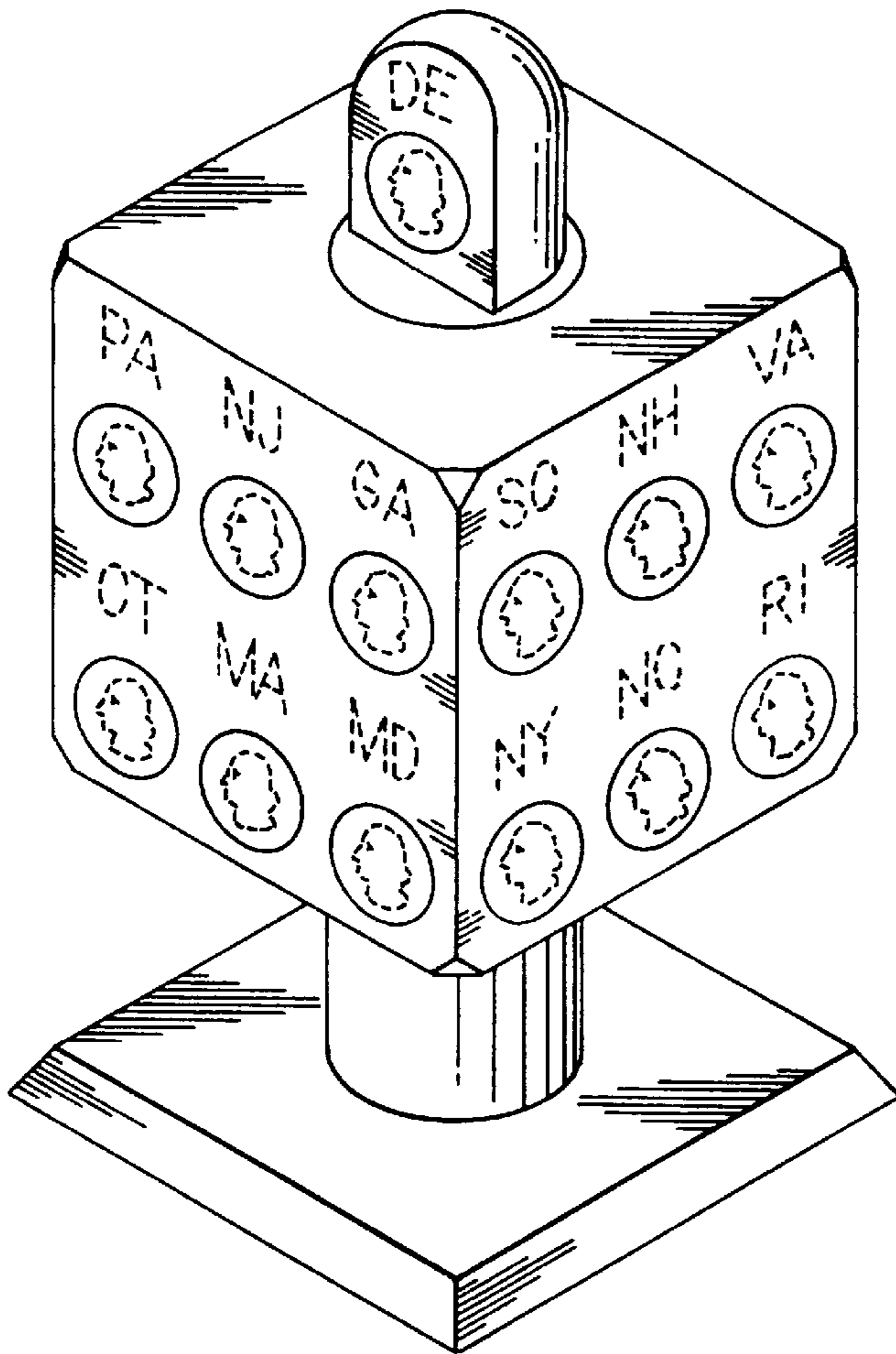


FIG. 1

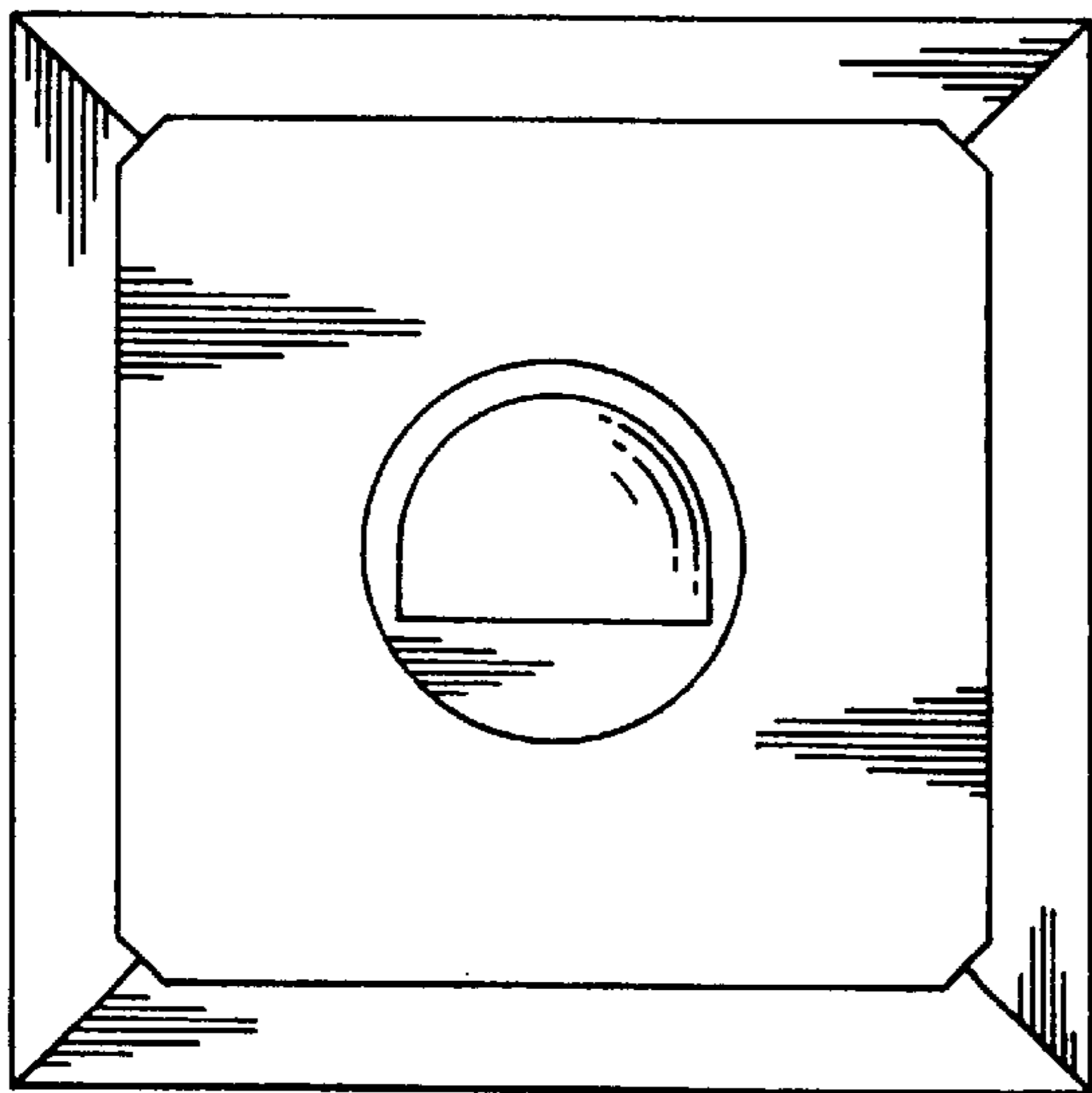


FIG. 2

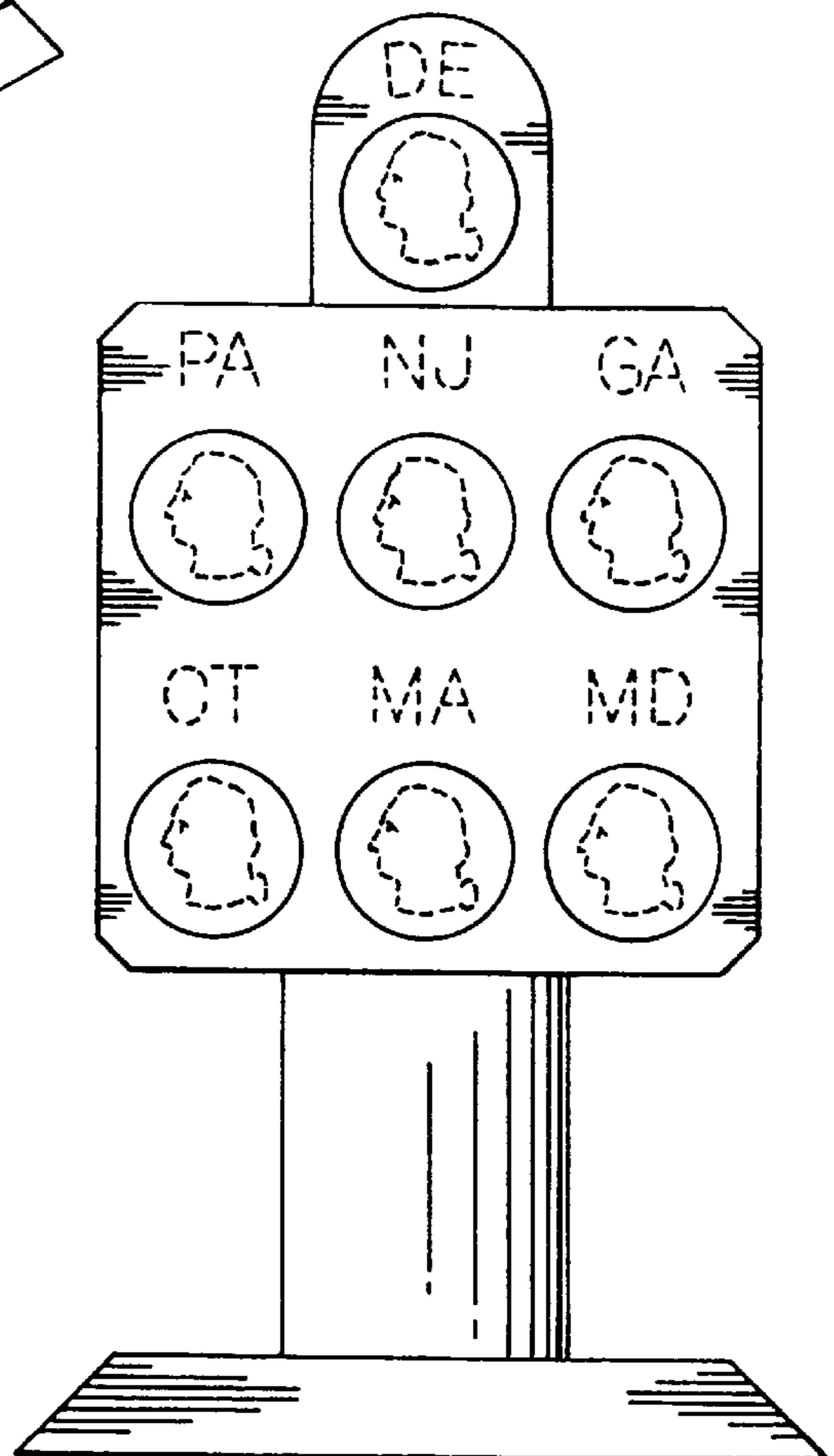


FIG. 3

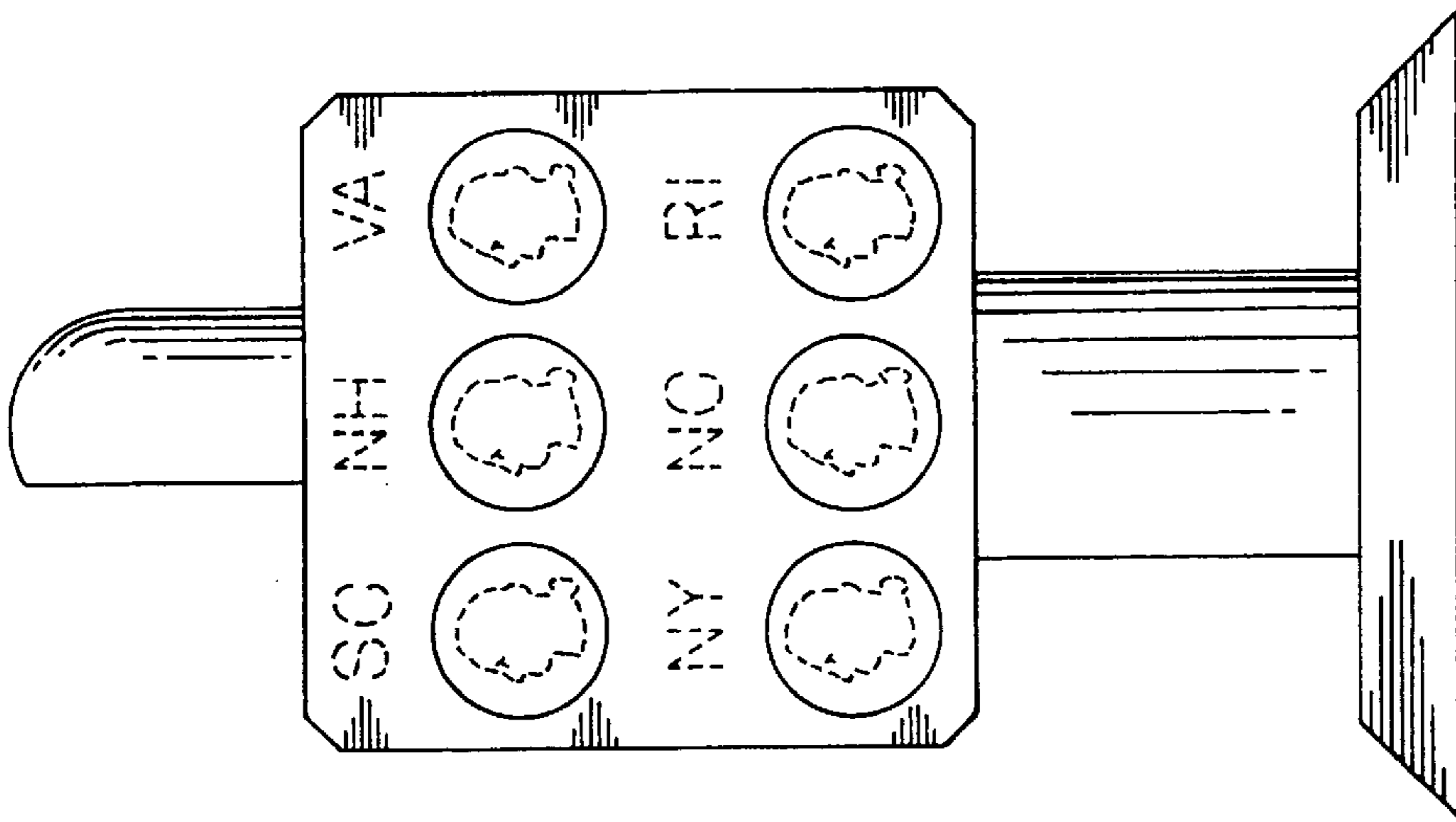


FIG. 4

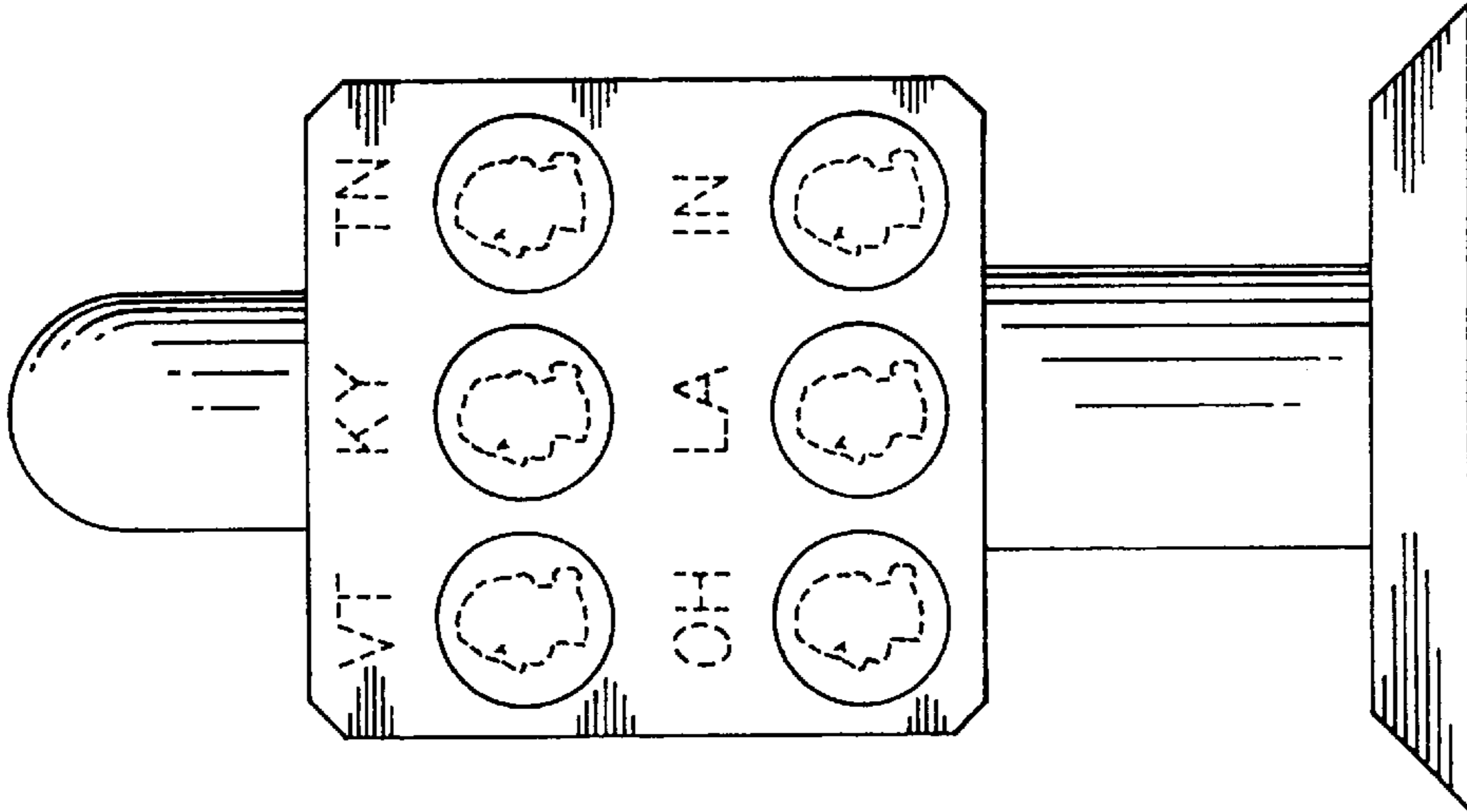


FIG. 5

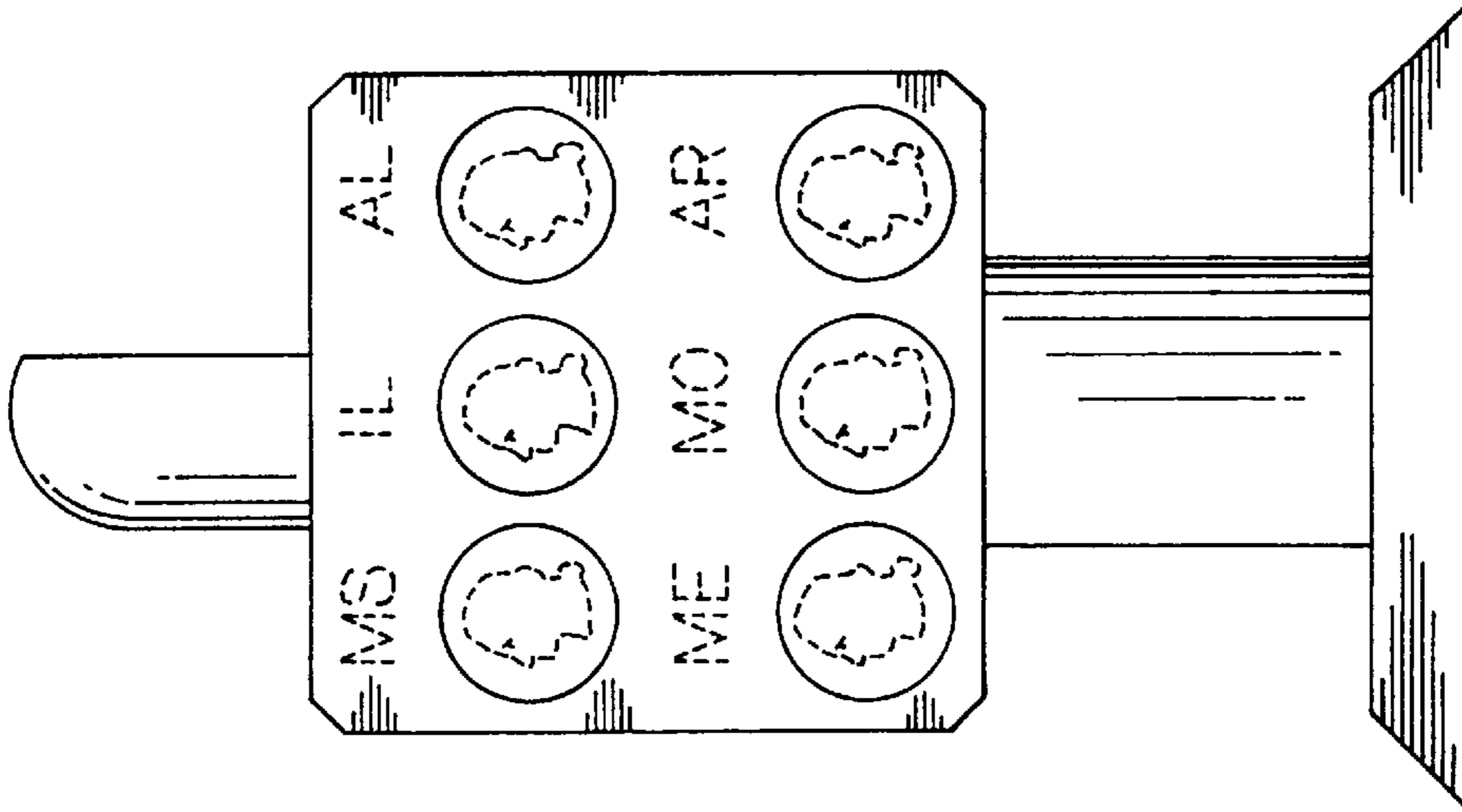


FIG. 6