



US00D430378S

United States Patent [19]

[11] Patent Number: Des. 430,378

Worsoe

[45] Date of Patent: ** Aug. 29, 2000

[54] SUPPORT FRAME FOR TRANSPORT PURPOSES

[75] Inventor: **Christoffer Worsoe**, Ranheim, Norway

[73] Assignee: **Shelter Development AS**, Sandefjord, Norway

[**] Term: **14 Years**

[21] Appl. No.: **29/106,455**

[22] Filed: **Jun. 17, 1999**

[30] Foreign Application Priority Data

Dec. 18, 1998 [NO] Norway 980867

[51] LOC (7) Cl. **09-88**

[52] U.S. Cl. **D34/38; D34/28**

[58] Field of Search D34/28, 35, 38; 294/116, 104, 118; 188/51.11, 901, 53.3, 54.1, 55.3, 56.1, 57.1

[56] References Cited

U.S. PATENT DOCUMENTS

- D. 33,869 1/1901 Bomgardner D34/33 X
- D. 240,212 6/1976 Zinna D34/38
- D. 264,323 5/1982 Nordstrom D34/38
- D. 395,117 6/1998 Persson D34/38
- D. 398,728 9/1998 Osborne, Jr. D34/28
- D. 410,580 6/1999 Kaffenberger, Sr. D34/38

- 622,666 4/1899 Burwell 108/51.11
- 2,917,261 12/1959 Stough 108/294
- 3,157,423 11/1964 Brie, Sr. 108/51.11
- 3,251,320 5/1966 Whittle Jr. 108/54.1
- 5,626,231 5/1997 Kwong et al. 108/54.1 X
- 5,676,063 10/1997 Wallace 108/51.1
- 5,735,219 4/1998 Kirker et al. 108/54.1
- 5,809,902 9/1998 Zetterberg 108/51.1
- 5,894,803 4/1999 Kuga 108/51.11

Primary Examiner—Cynthia E. Ramirez
Attorney, Agent, or Firm—Dennison, Scheiner, Schultz & Wakeman

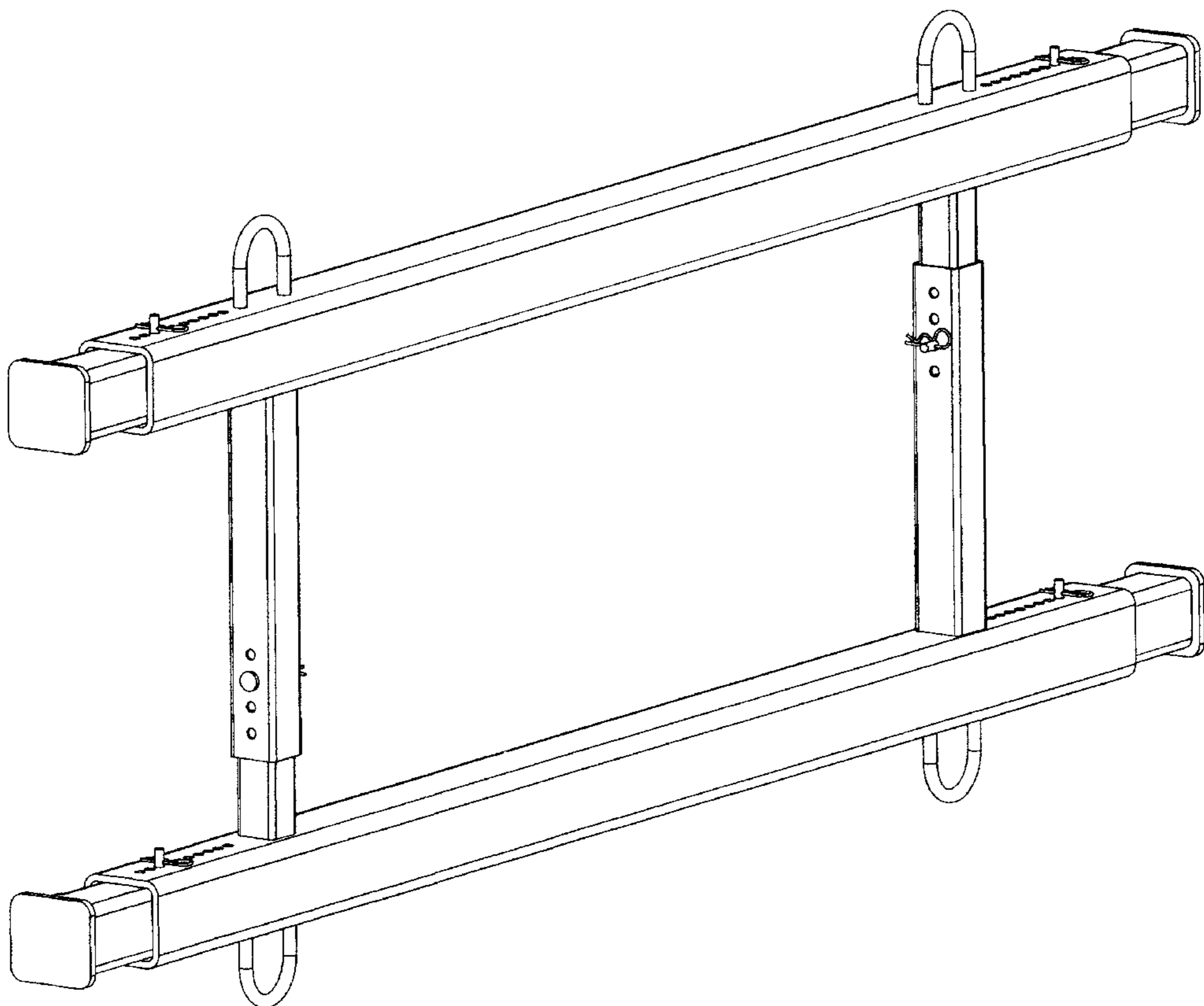
[57] CLAIM

The ornamental design for a support frame for transport purposes, as shown and described.

DESCRIPTION

FIG. 1 shows a perspective view of the support frame for transport purposes showing my new design; FIG. 2 is a side view of the object of FIG. 1; FIG. 3 is a side view of the object of FIG. 1, taken from the opposite side thereof; FIG. 4 is a top plan view of the object of FIG. 1; FIG. 5 is a bottom view of the object of FIG. 1; FIG. 6 is a end view of the object of FIG. 1; and, FIG. 7 is a end view of the object of FIG. 1, taken from the opposite end thereof.

1 Claim, 7 Drawing Sheets



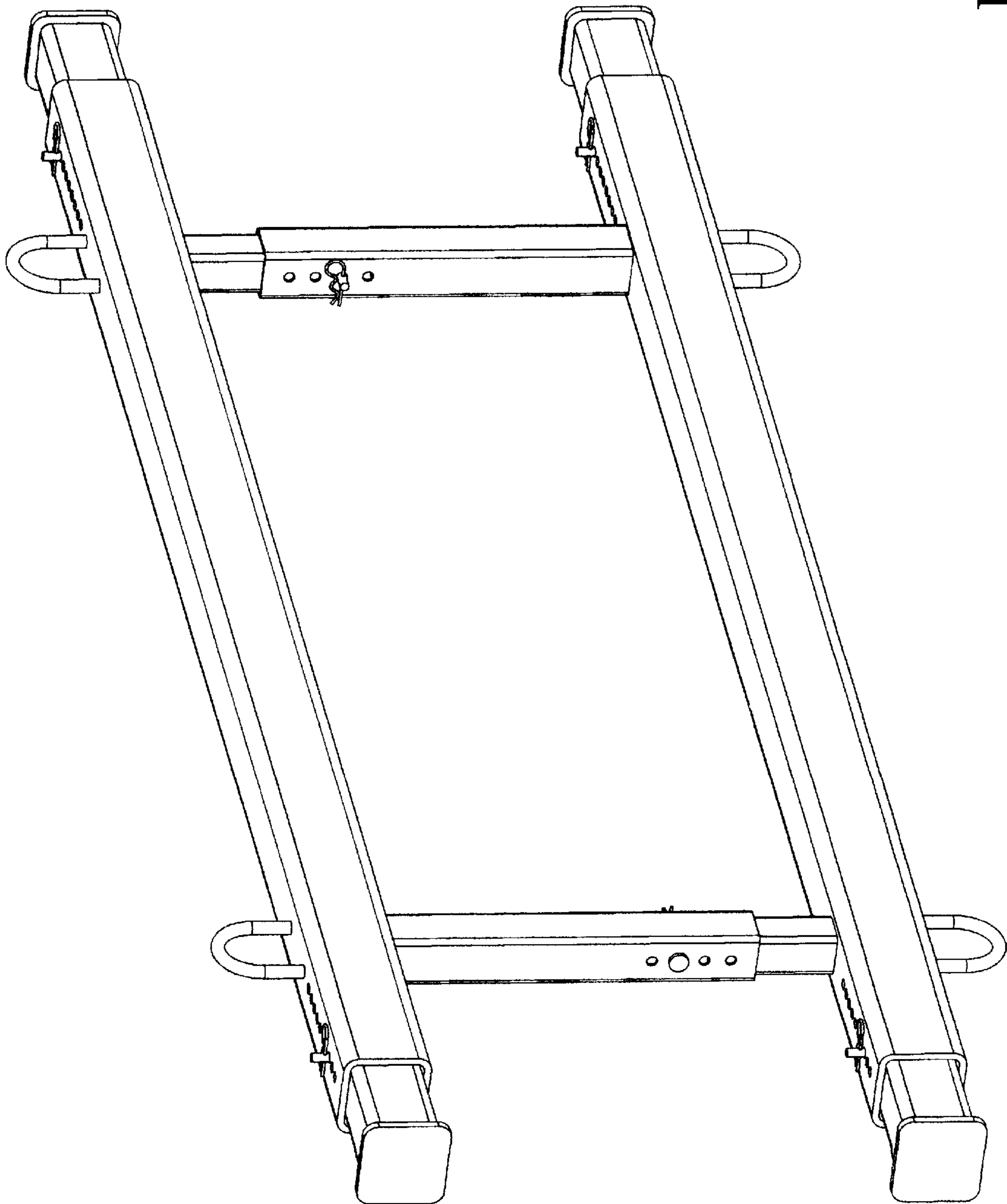


Fig. 1

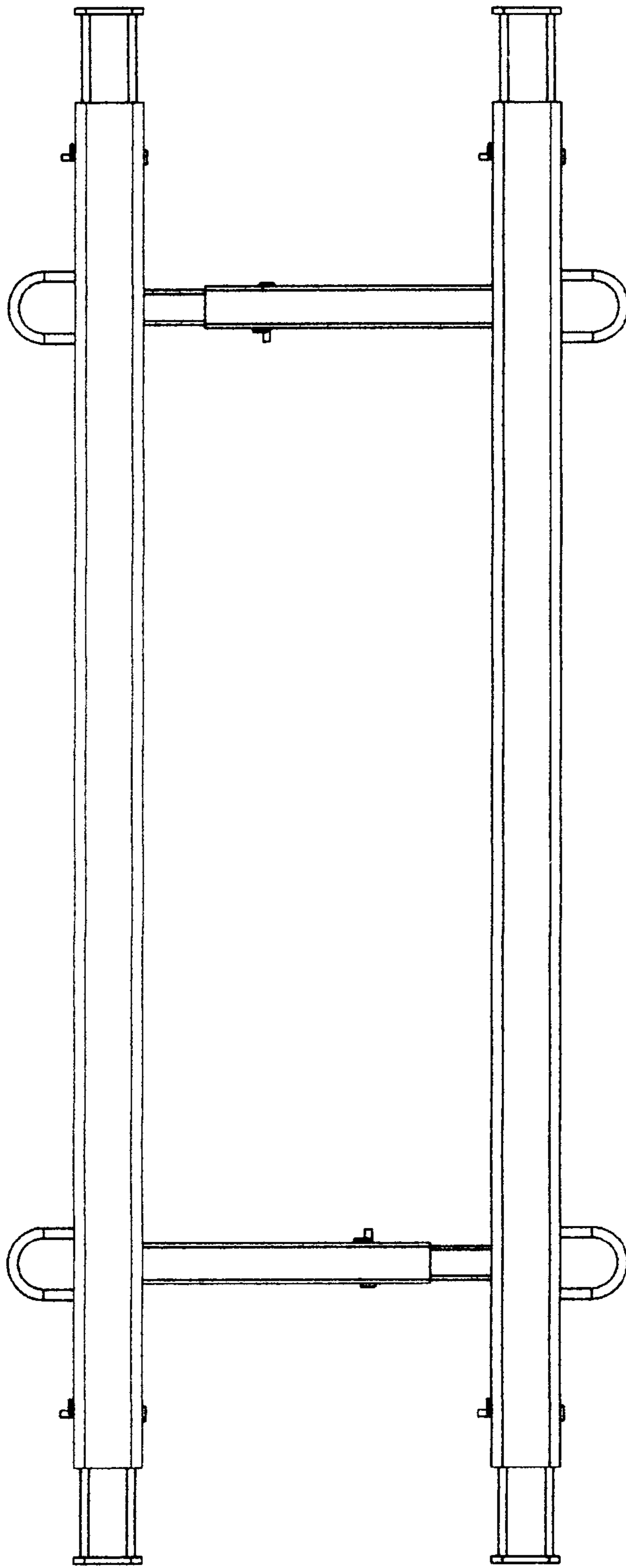


Fig. 2

Fig. 3

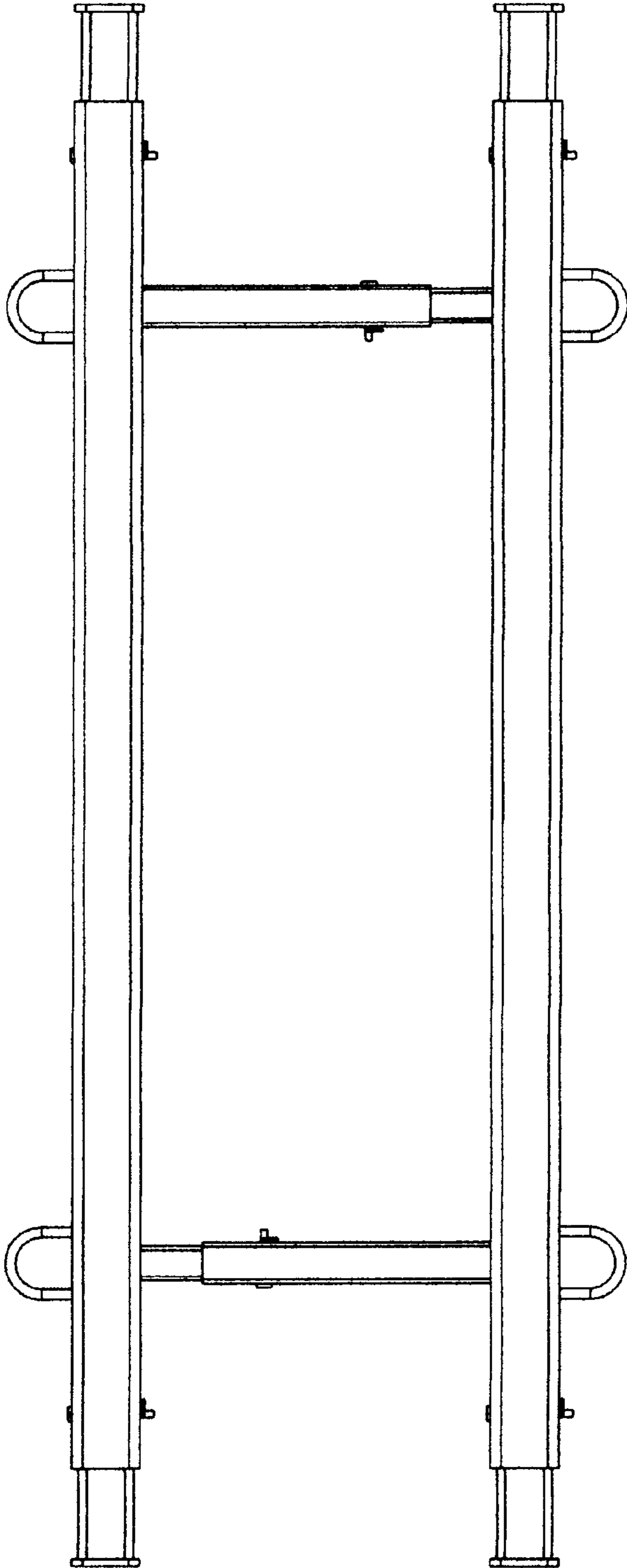




Fig. 4

Fig. 5



Fig. 6

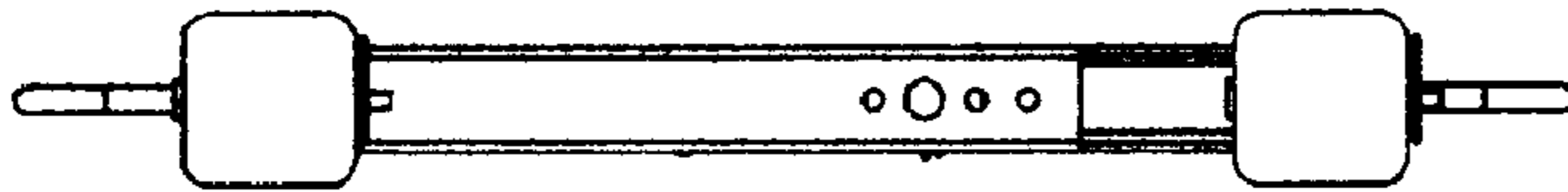


Fig. 7

