



US00D430377S

United States Patent [19] Collins

[11] Patent Number: **Des. 430,377**

[45] Date of Patent: **** Aug. 29, 2000**

[54] **ATV RAMP AND PLATFORM**

[76] Inventor: **Gary B. Collins**, 16743 Chipeta Dr.,
Montrose, Colo. 81401

[**] Term: **14 Years**

[21] Appl. No.: **29/107,687**

[22] Filed: **Jul. 12, 1999**

[51] **LOC (7) Cl.** **12-05**

[52] **U.S. Cl.** **D34/32**

[58] **Field of Search** D34/28, 32, 35;
414/537, 228; 254/88; D12/154

[56] **References Cited**

U.S. PATENT DOCUMENTS

D. 291,619	8/1987	Guillory	D34/32
D. 331,305	11/1992	Woodward et al.	D34/32
D. 360,729	7/1995	Collins	D34/32
D. 373,885	9/1996	Holland, Jr.	D34/32
D. 398,129	9/1998	Sacks et al.	D34/32

2,962,980	12/1960	Carrigan	254/88
4,084,790	4/1978	Molnar	254/88
5,768,733	6/1998	Kneebone	414/537

Primary Examiner—Cynthia E Ramirez
Attorney, Agent, or Firm—Jacqueline S. Larson; Donald W. Erickson

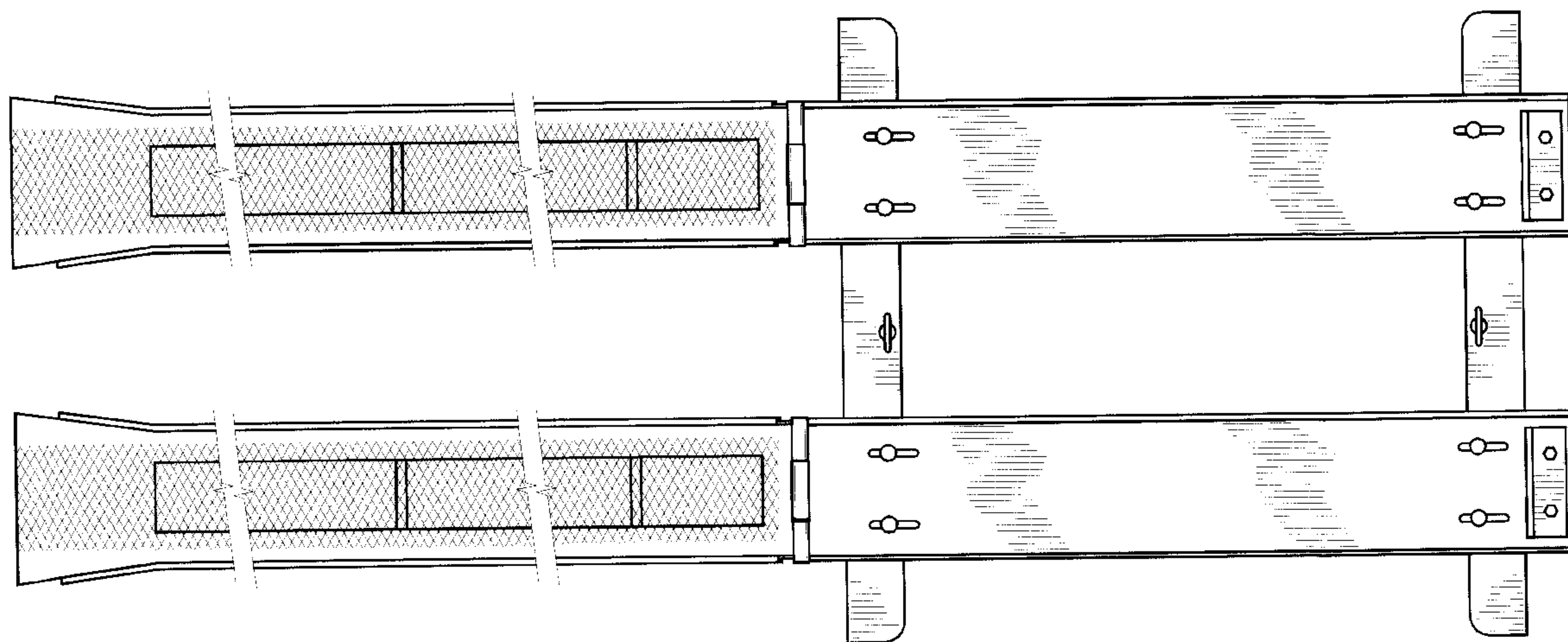
[57] **CLAIM**

The ornamental design for an ATV ramp and platform, showing my new design.

DESCRIPTION

FIG. 1 is a top plan view of my ATV ramp and platform showing my new design;
FIG. 2 is a side view of FIG. 1;
FIG. 3 is a bottom plan view of FIG. 1;
FIG. 4 is a right end view of the platform of FIG. 1; and,
FIG. 5 is a left end view of the platform of FIG. 1.
The tracks of the ramp are shown broken away to indicate indeterminate length.

1 Claim, 3 Drawing Sheets



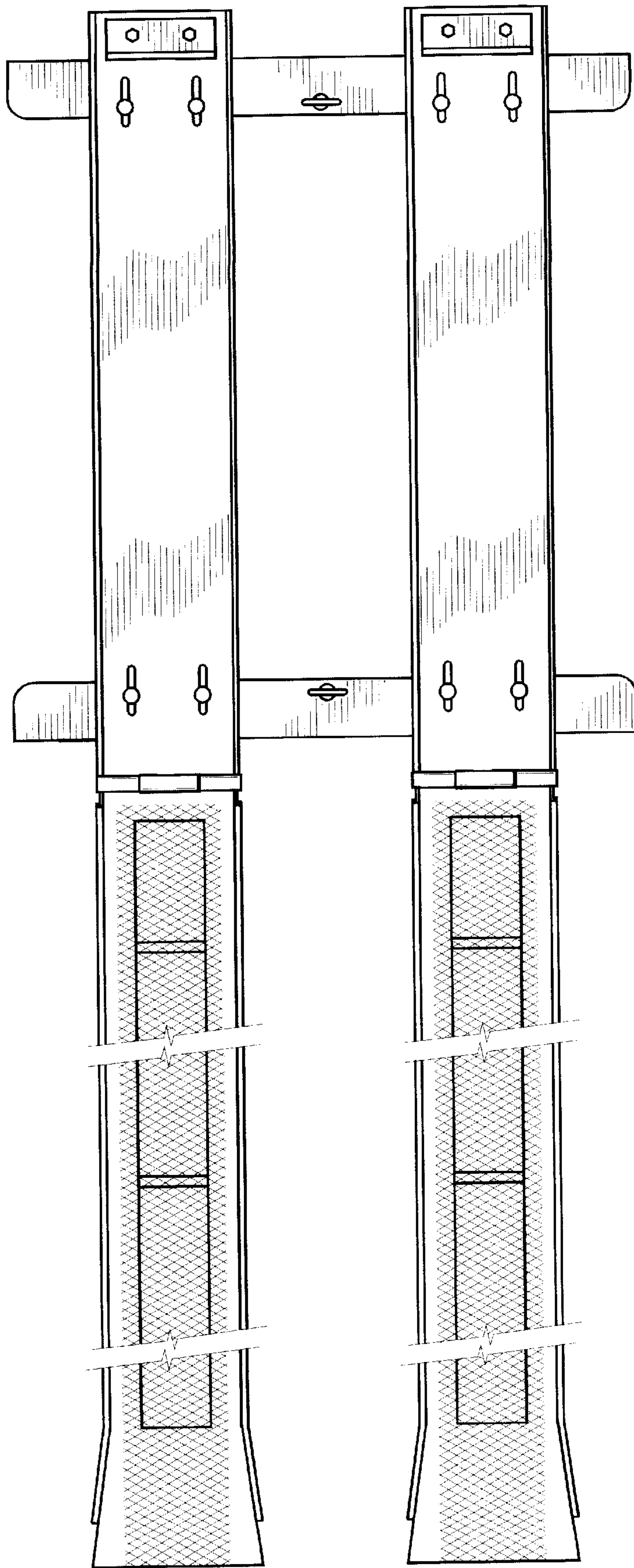


FIG. 1

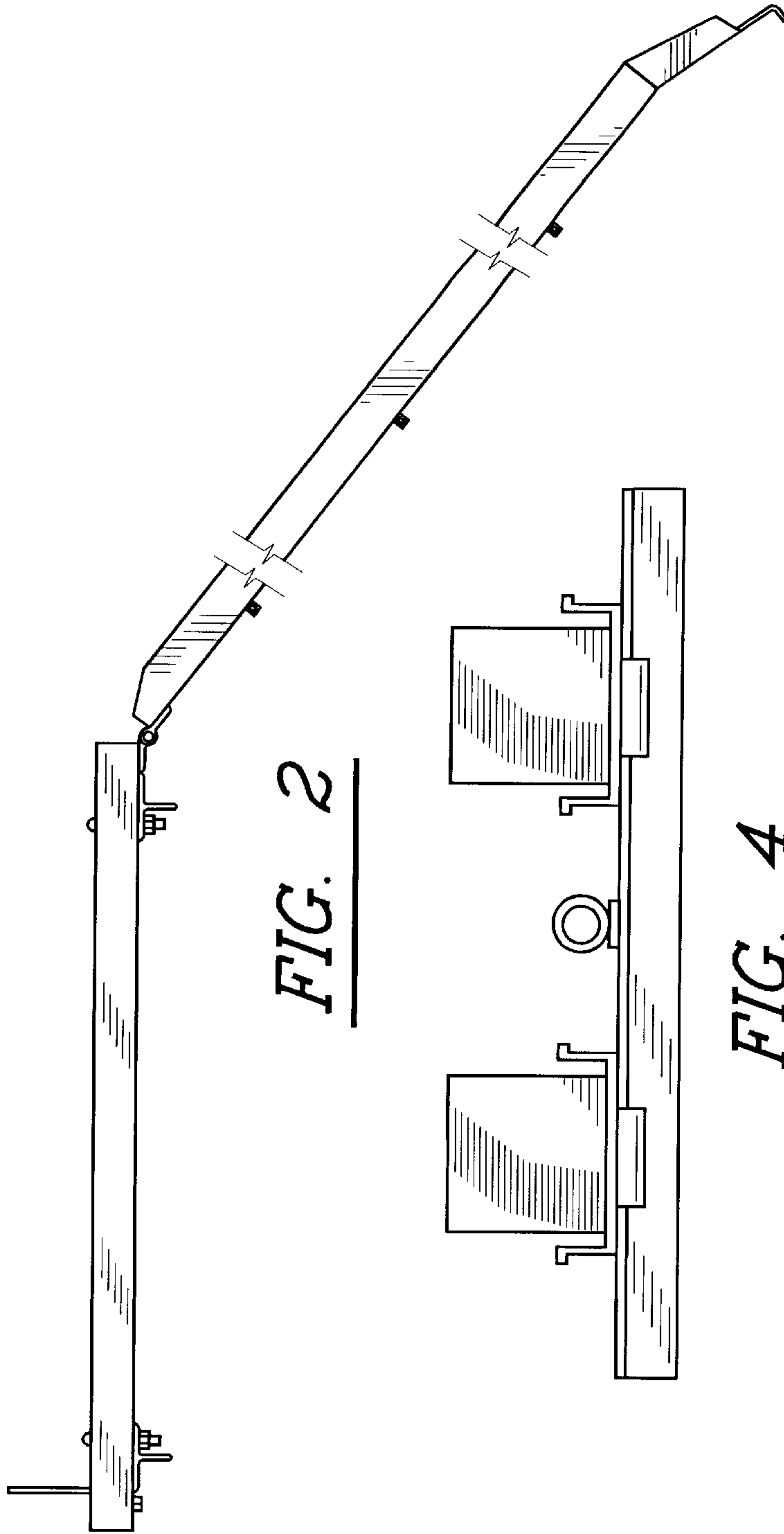


FIG. 2

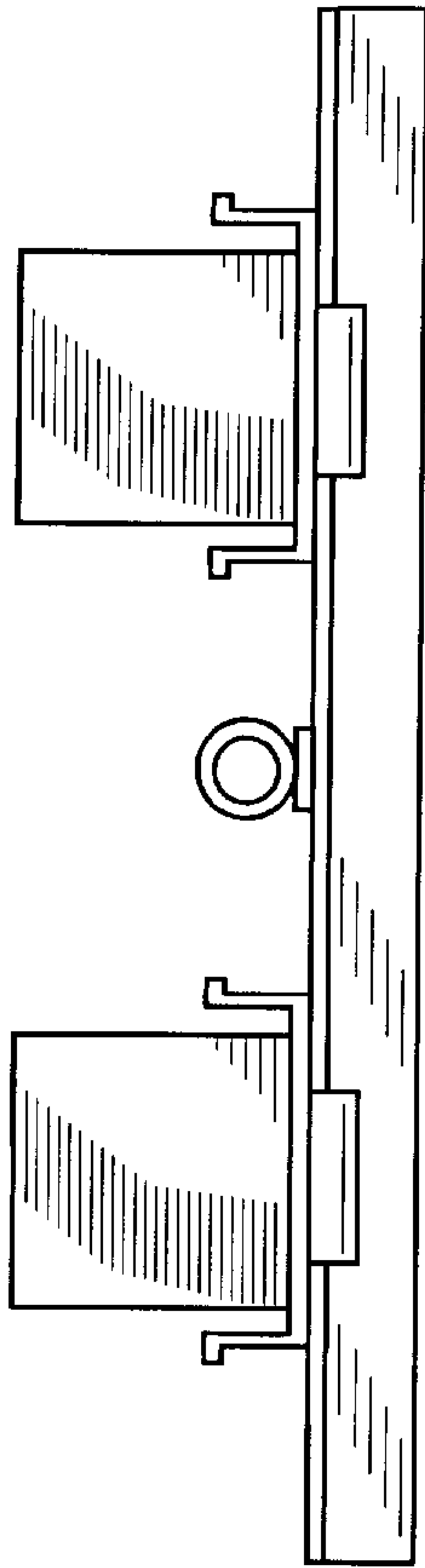


FIG. 4

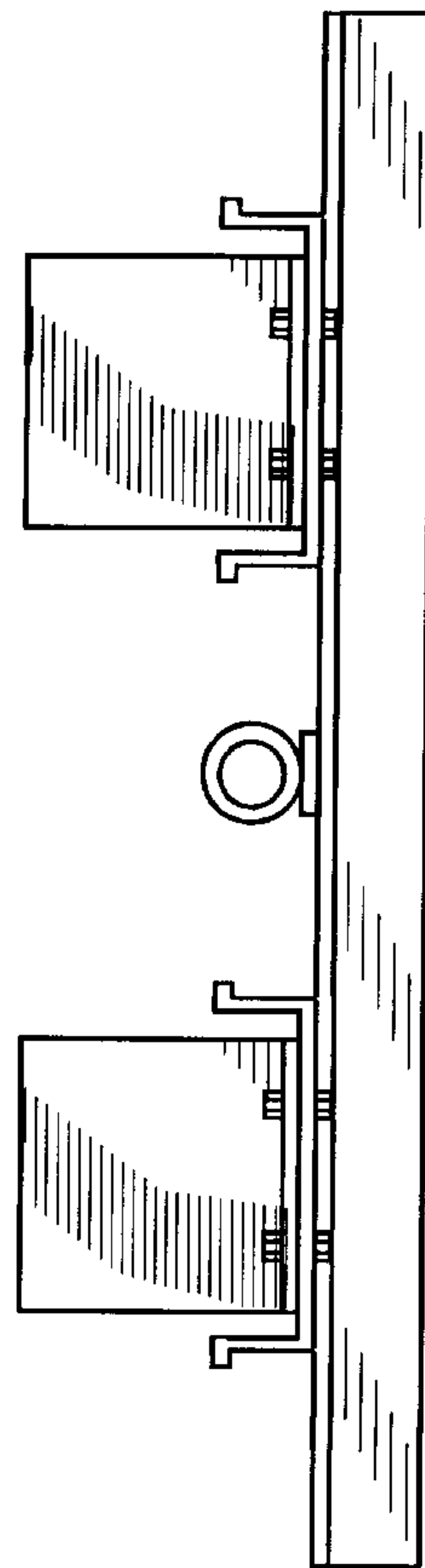


FIG. 5

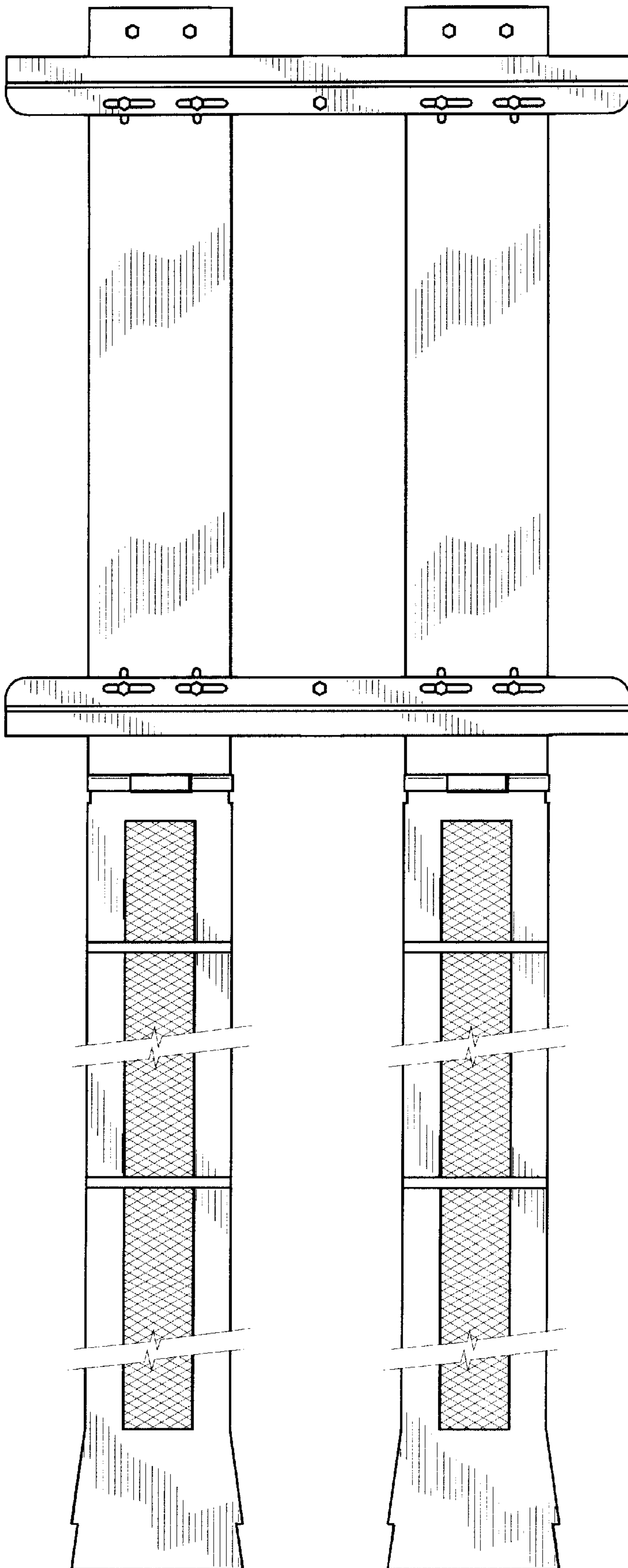


FIG. 3