



US00D430376S

United States Patent [19]

Bouchard et al.

[11] Patent Number: Des. 430,376

[45] Date of Patent: ** Aug. 29, 2000

[54] MATTRESS HARNESS

5,503,448	4/1996	Dewey	294/152
5,833,292	11/1998	Lyons, Jr.	294/152
5,863,056	1/1999	Hostetter	294/152 X

[76] Inventors: **Eric Bouchard; Richard Bouchard**,
both of 685 Notre Dame Ave., Sudbury,
Ontario, Canada, P3A 2T2

[**] Term: **14 Years**

Primary Examiner—Susan Lucas
Assistant Examiner—Cynthia E. Ramirez
Attorney, Agent, or Firm—Jacobson, Price, Holman &
Stern, PLLC

[21] Appl. No.: **29/098,868**

[57] CLAIM

[22] Filed: **Jan. 7, 1999**

The ornamental design for a mattress harness, as shown and described.

[30] Foreign Application Priority Data

Jul. 9, 1998 [CA] Canada 1998-1621

DESCRIPTION

[51] LOC (7) Cl. **12-05**

FIG. 1 is a perspective view showing our new design for a mattress harness,

[52] U.S. Cl. **D34/28**

FIG. 2 is a side view thereof;

[58] Field of Search D34/28; 294/149,

FIG. 3 is an end view thereof;

294/152, 155, 165, 170, 68.1; 16/DIG. 28;
5/510

FIG. 4 is a plan view thereof;

FIG. 5 is a perspective view showing the mattress harness in use, with the dotted lines outlining a mattress shape being for illustrative purposes only;

[56] References Cited

U.S. PATENT DOCUMENTS

D. 203,208	12/1965	Hillman	D34/28
D. 323,730	2/1992	Burney	D34/28
2,297,332	9/1942	Stewart	294/152
3,933,287	1/1976	Foley	294/152 X
4,119,250	10/1978	Brutlag	.
4,177,911	12/1979	Griffin	294/149
4,190,278	2/1980	Jancik, Jr.	294/155
4,521,045	6/1985	Hart	.
4,553,780	11/1985	Strachan	.
5,102,178	4/1992	Stants, Jr.	294/152

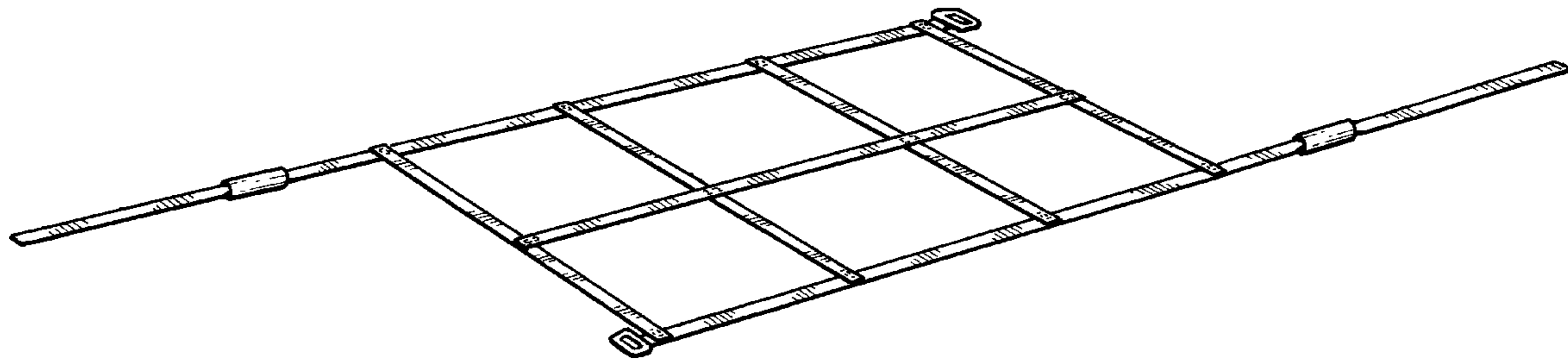
FIG. 6 is an alternate embodiment showing our new design for a mattress harness,

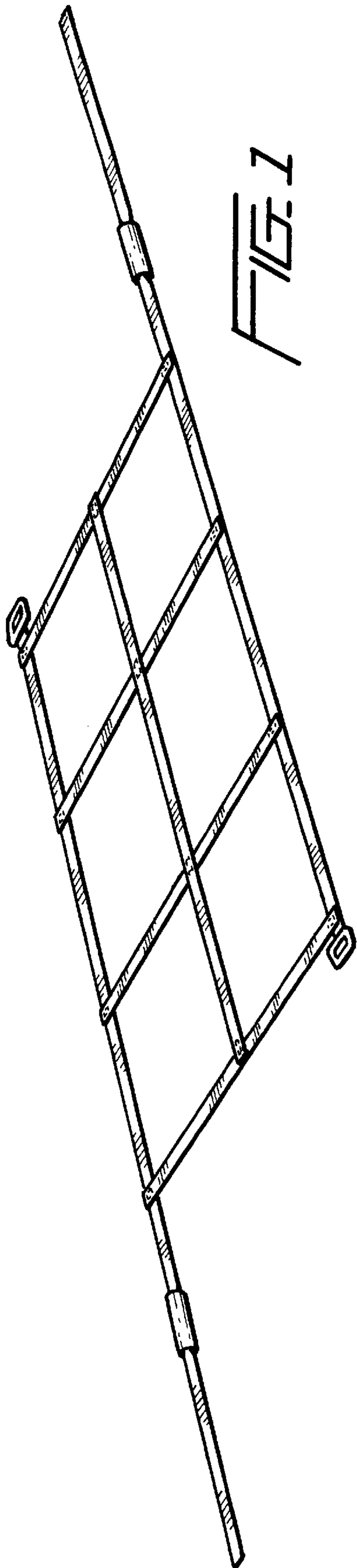
FIG. 7 is an alternate embodiment showing our new design for a mattress harness,

FIG. 8 is an alternate embodiment showing our new design for a mattress harness; and,

FIG. 9 is an alternate embodiment showing our new design for a mattress harness.

1 Claim, 4 Drawing Sheets





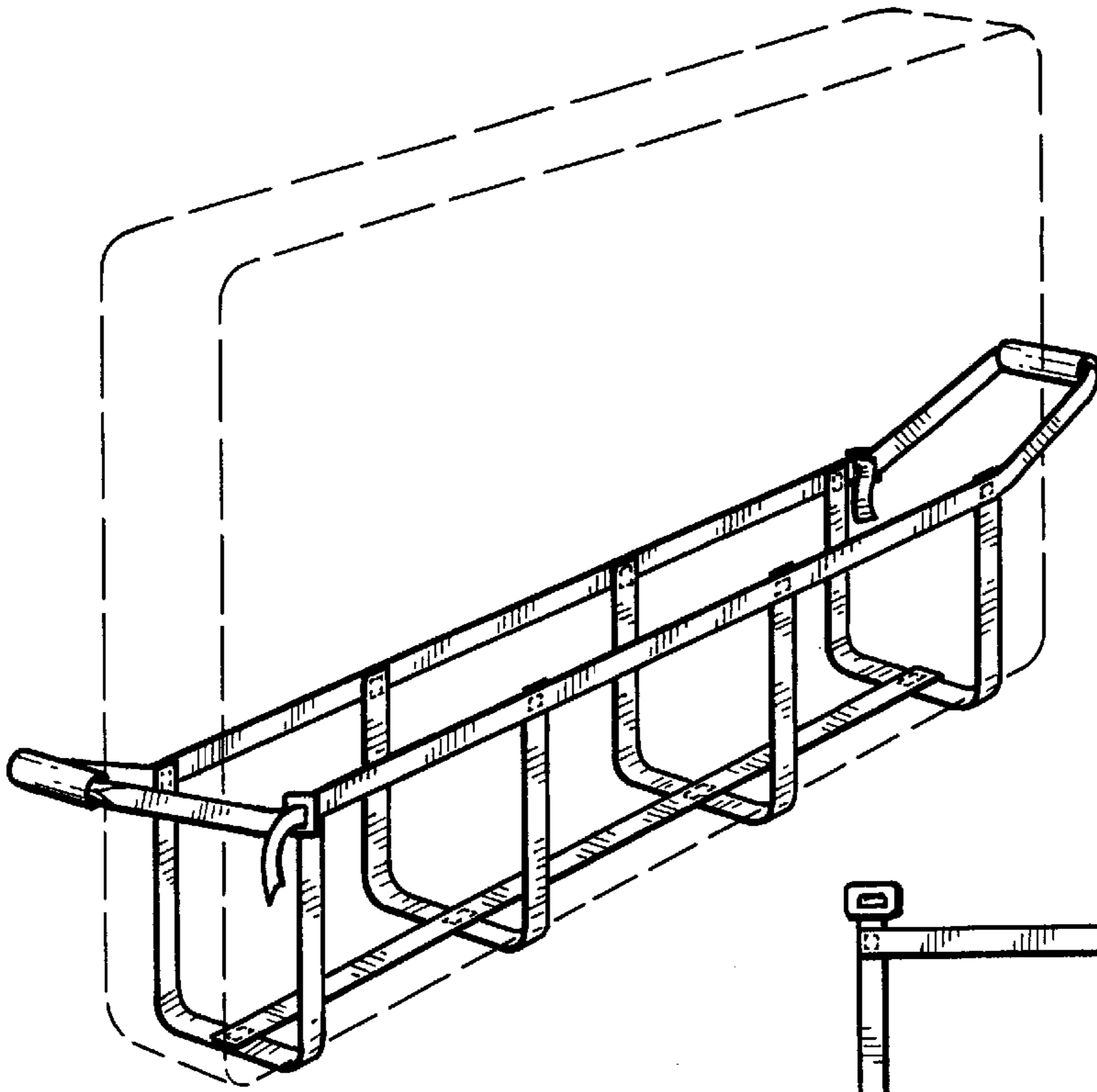


FIG. 5

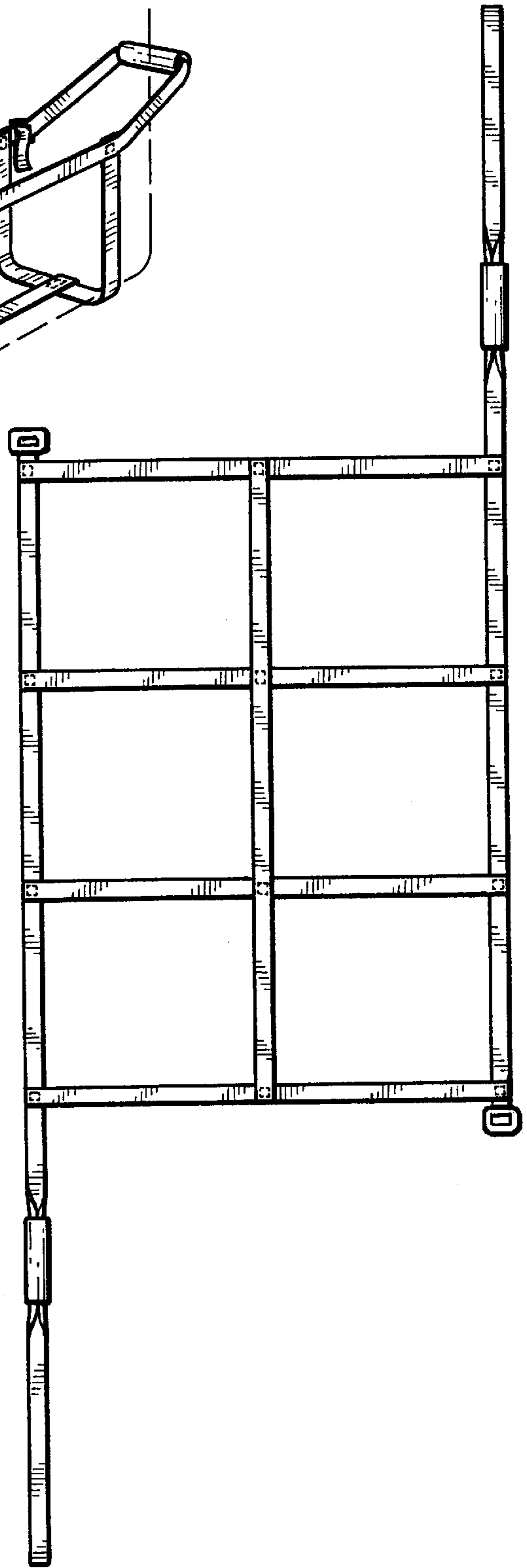


FIG. 4

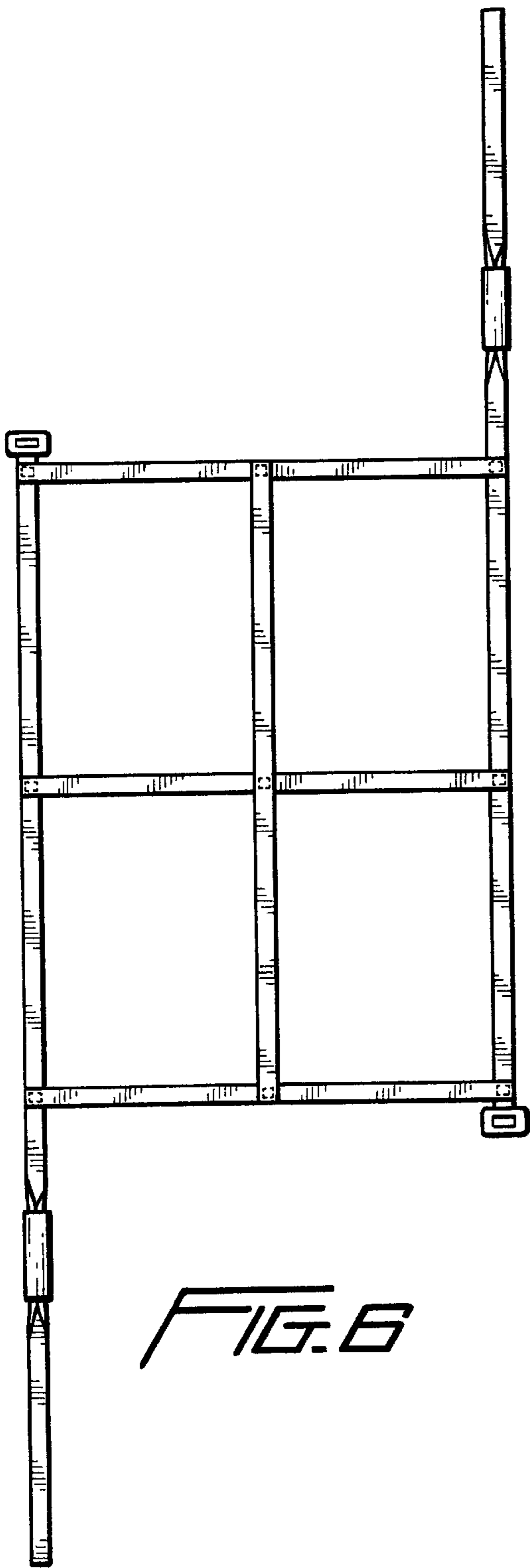


FIG. 6

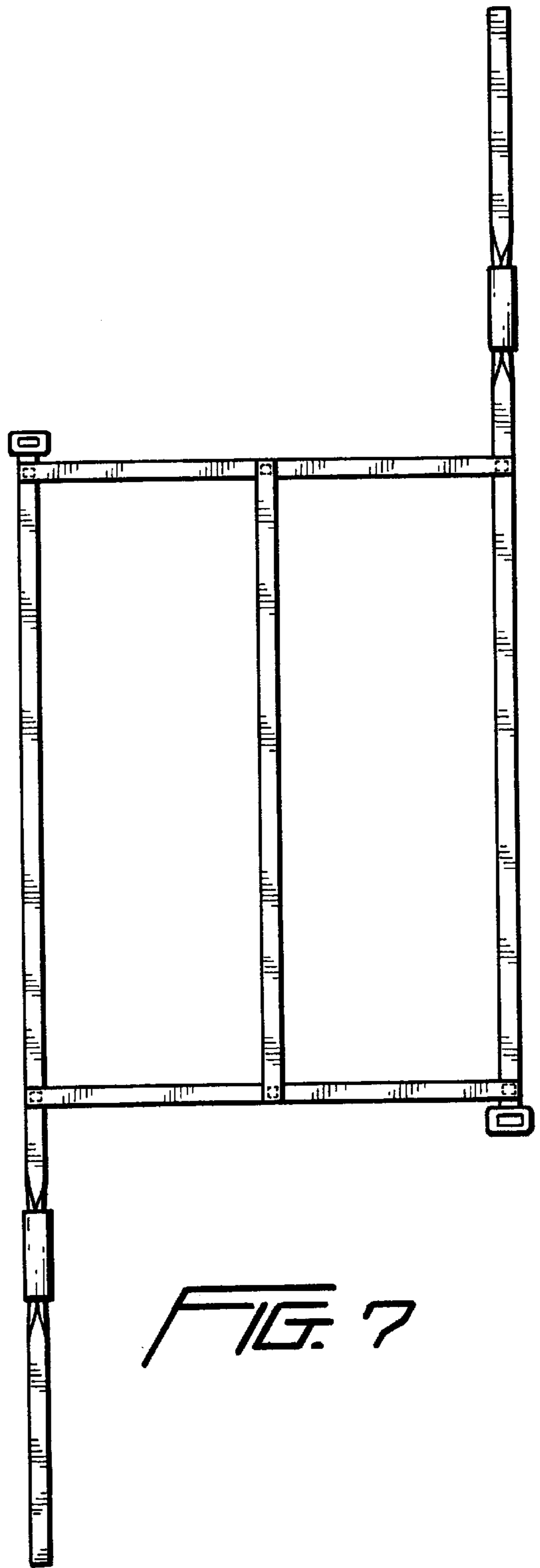


FIG. 7

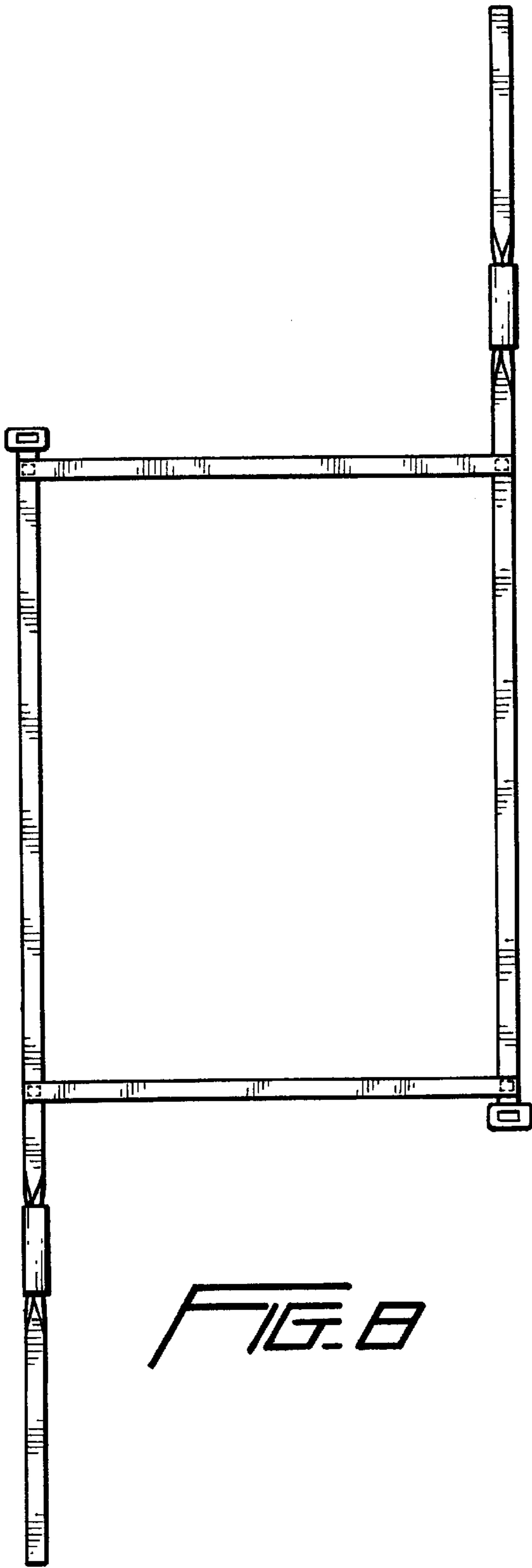


FIG. 8

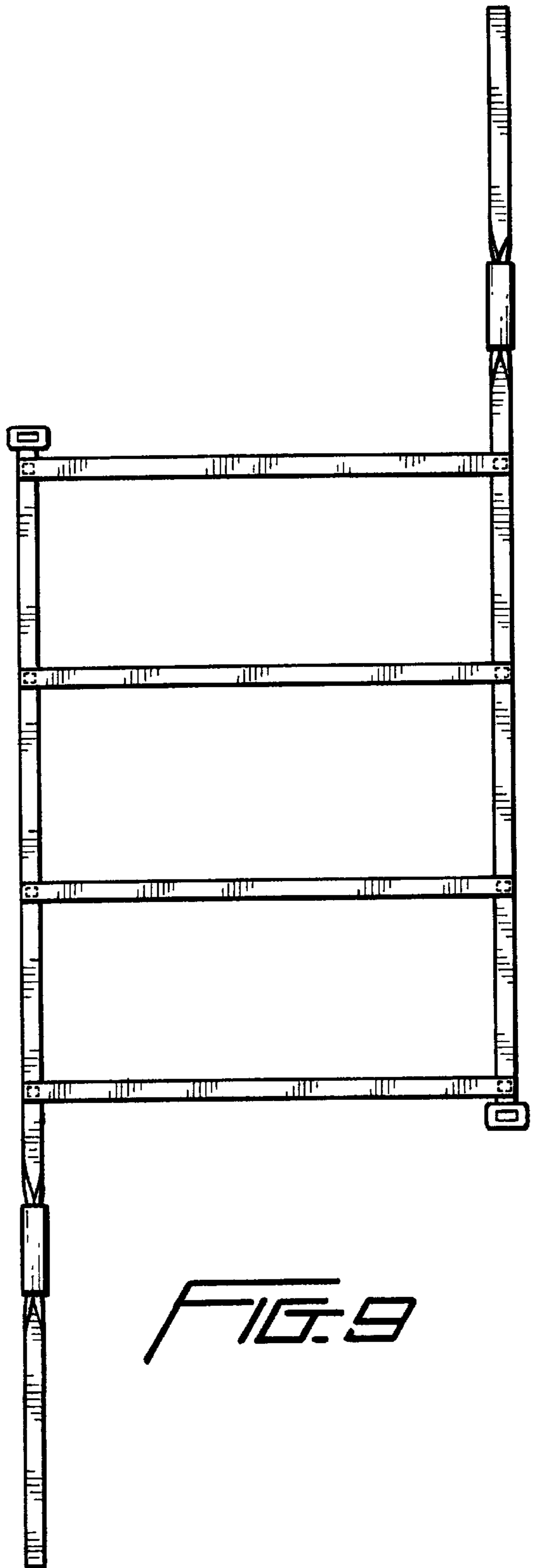


FIG. 9