



US00D430375S

United States Patent [19]

Tezak

[11] Patent Number: **Des. 430,375**

[45] Date of Patent: **** Aug. 29, 2000**

[54] **CART FOR STORING CAR WASHING EQUIPMENT**

D. 343,938 2/1994 Liverman D34/25
5,238,128 8/1993 Stoddard 211/188

[76] Inventor: **William Tezak**, 911 N. Sierra Vista Dr.,
La Habra, Calif. 90631

Primary Examiner—Kay H. Chin
Attorney, Agent, or Firm—Goldstein & Canino

[**] Term: **14 Years**

[57] **CLAIM**

[21] Appl. No.: **29/111,837**

The ornamental design for a cart for storing car washing equipment, as shown and described.

[22] Filed: **Oct. 5, 1999**

DESCRIPTION

[51] **LOC (7) Cl.** **12-02**

[52] **U.S. Cl.** **D34/21**

[58] **Field of Search** D34/12-27; D6/465,
D6/407, 445, 446, 448; 211/134, 49.1,
188; 280/79.11, 79.2, 79.3, 47.34; 239/172

FIG. 1 is a perspective view of a cart for storing car washing equipment.

FIG. 2 is a front elevational view thereof.

FIG. 3 is a rear elevational view thereof.

FIG. 4 is a right side elevational view thereof.

FIG. 5 is a left side elevational view thereof.

FIG. 6 is a top plan view thereof; and,

FIG. 7 is a bottom plan view thereof.

[56] **References Cited**

U.S. PATENT DOCUMENTS

D. 188,099 6/1960 Barrett D34/21

D. 303,444 9/1989 Yoshikawa D34/21

1 Claim, 4 Drawing Sheets

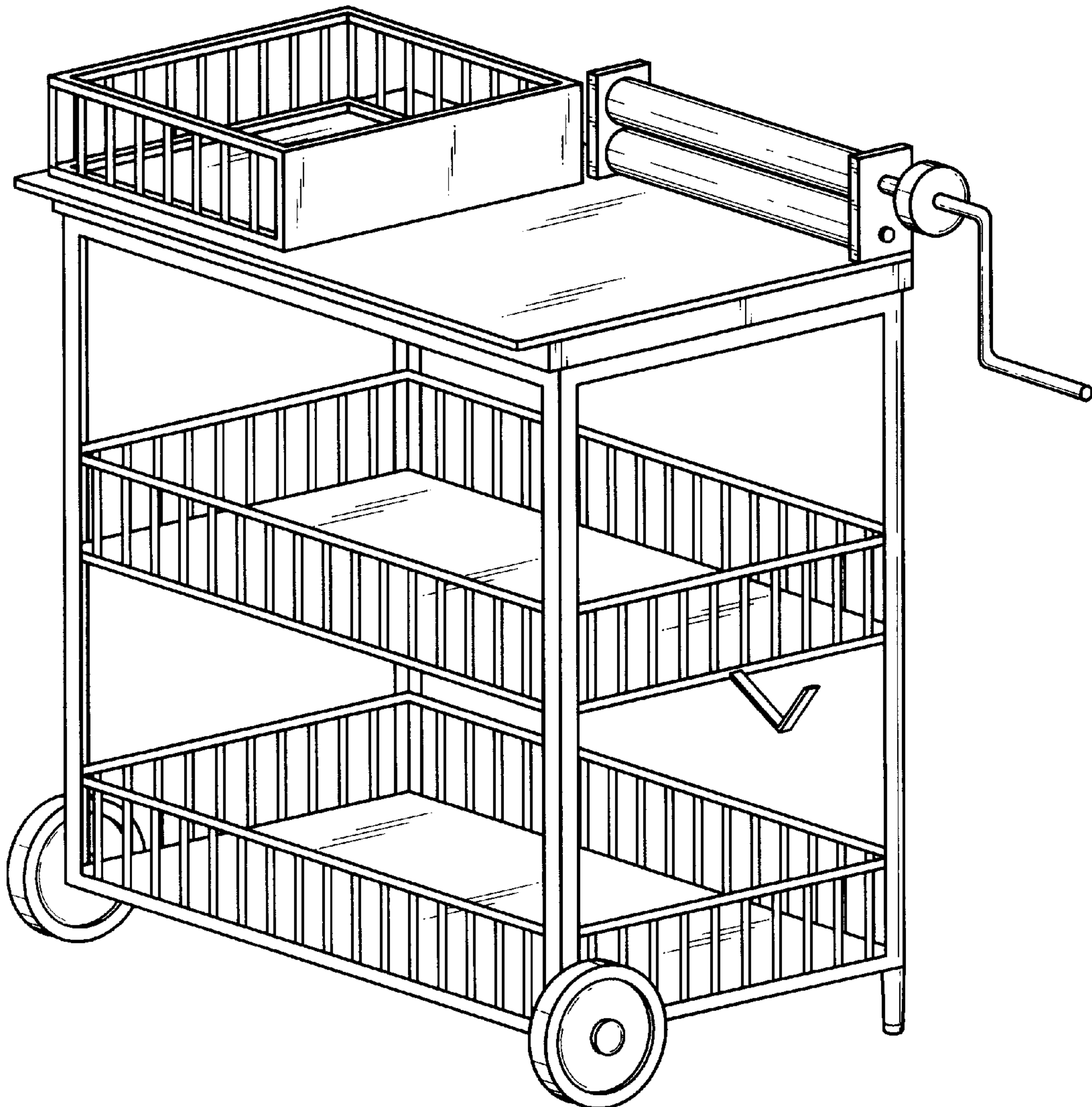


FIG. 1

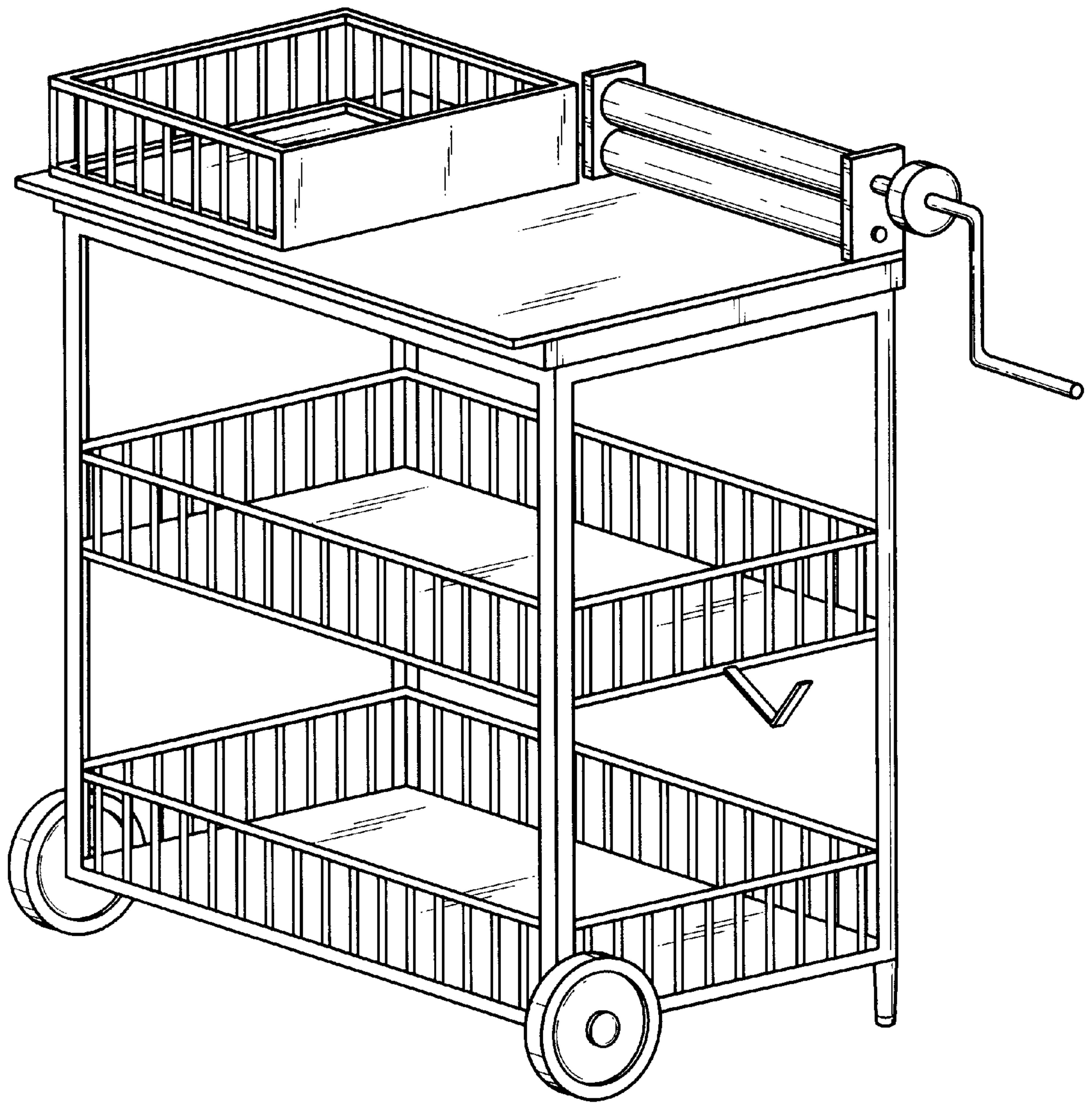


FIG. 3

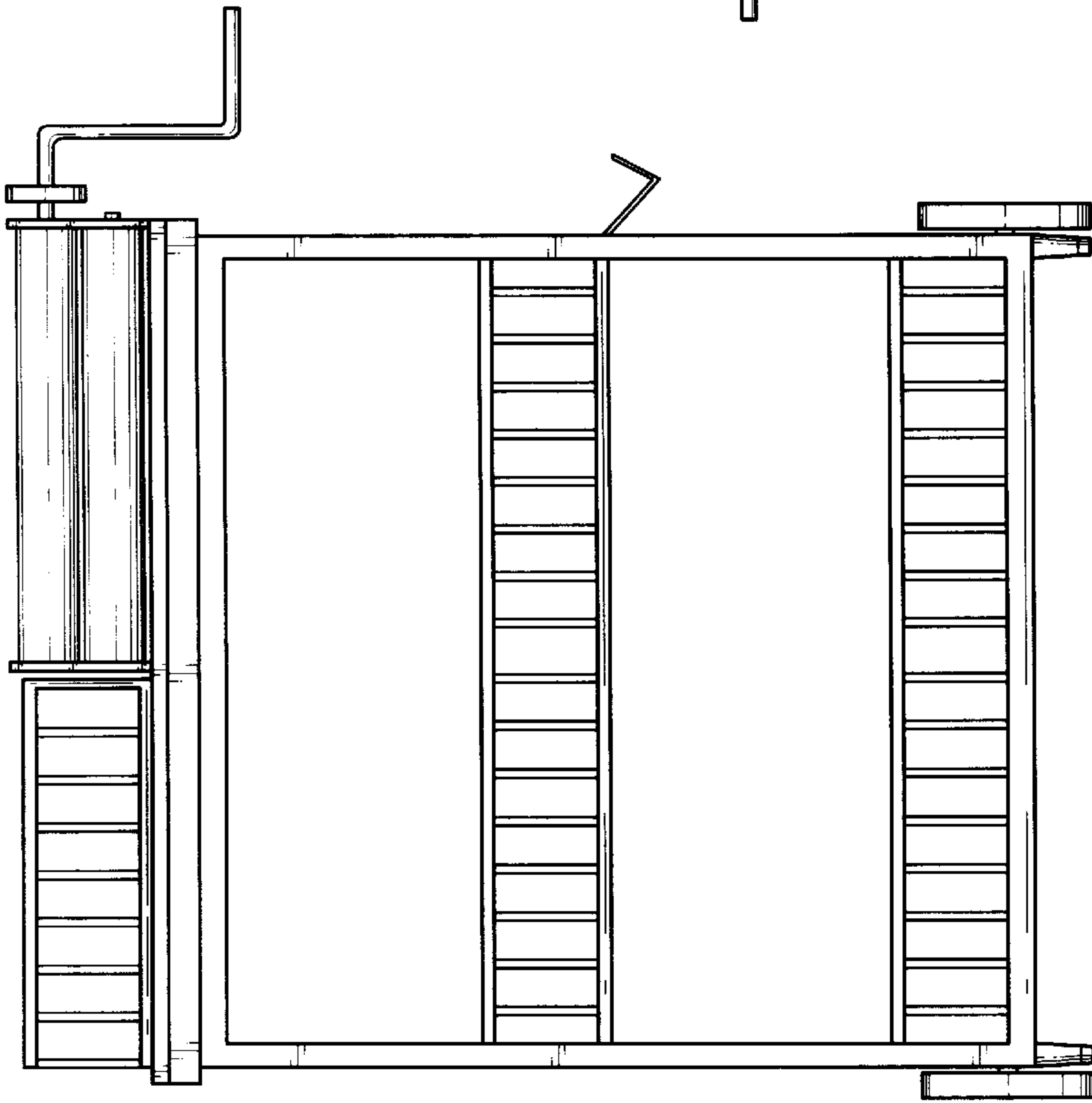
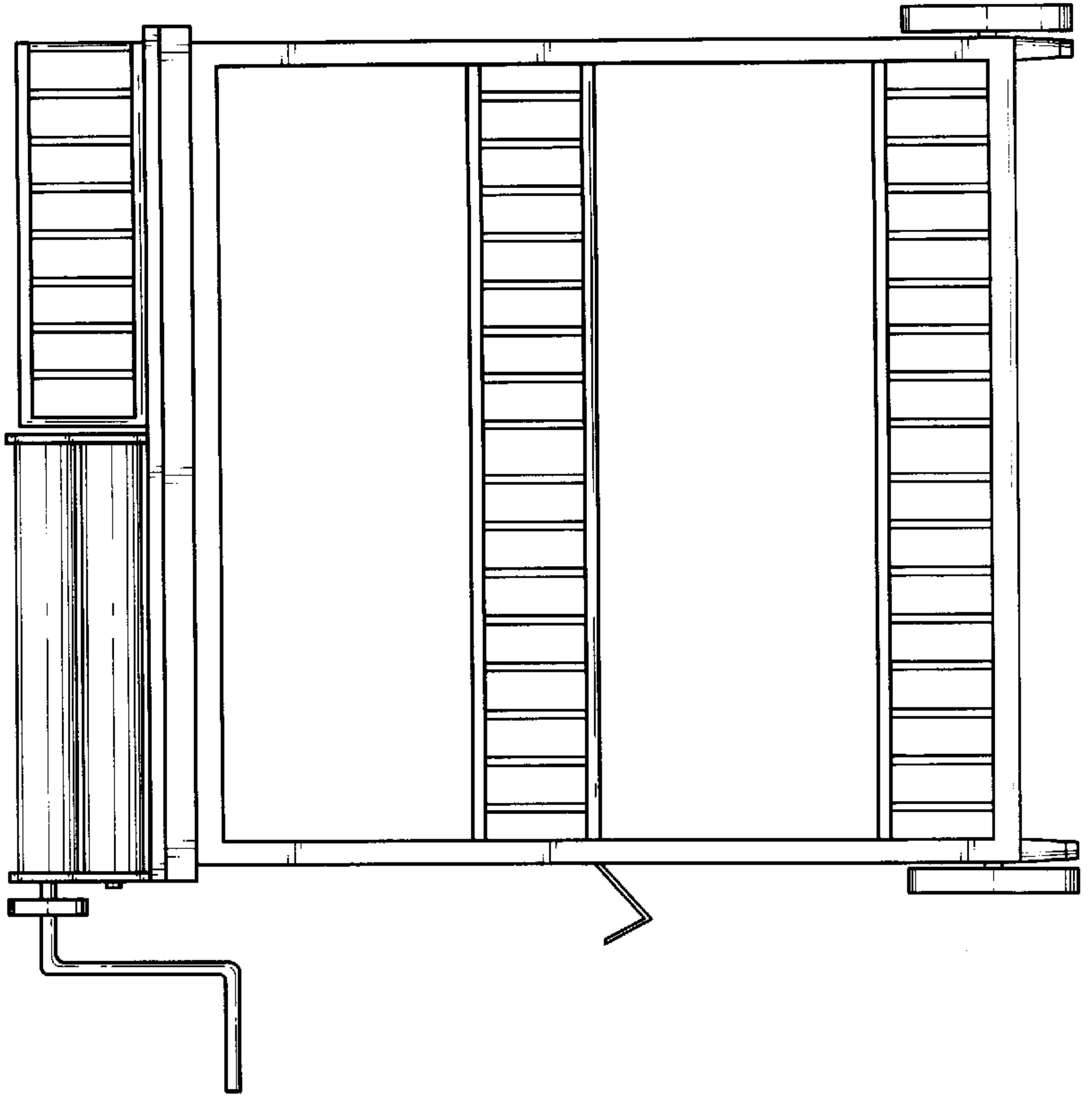


FIG. 2

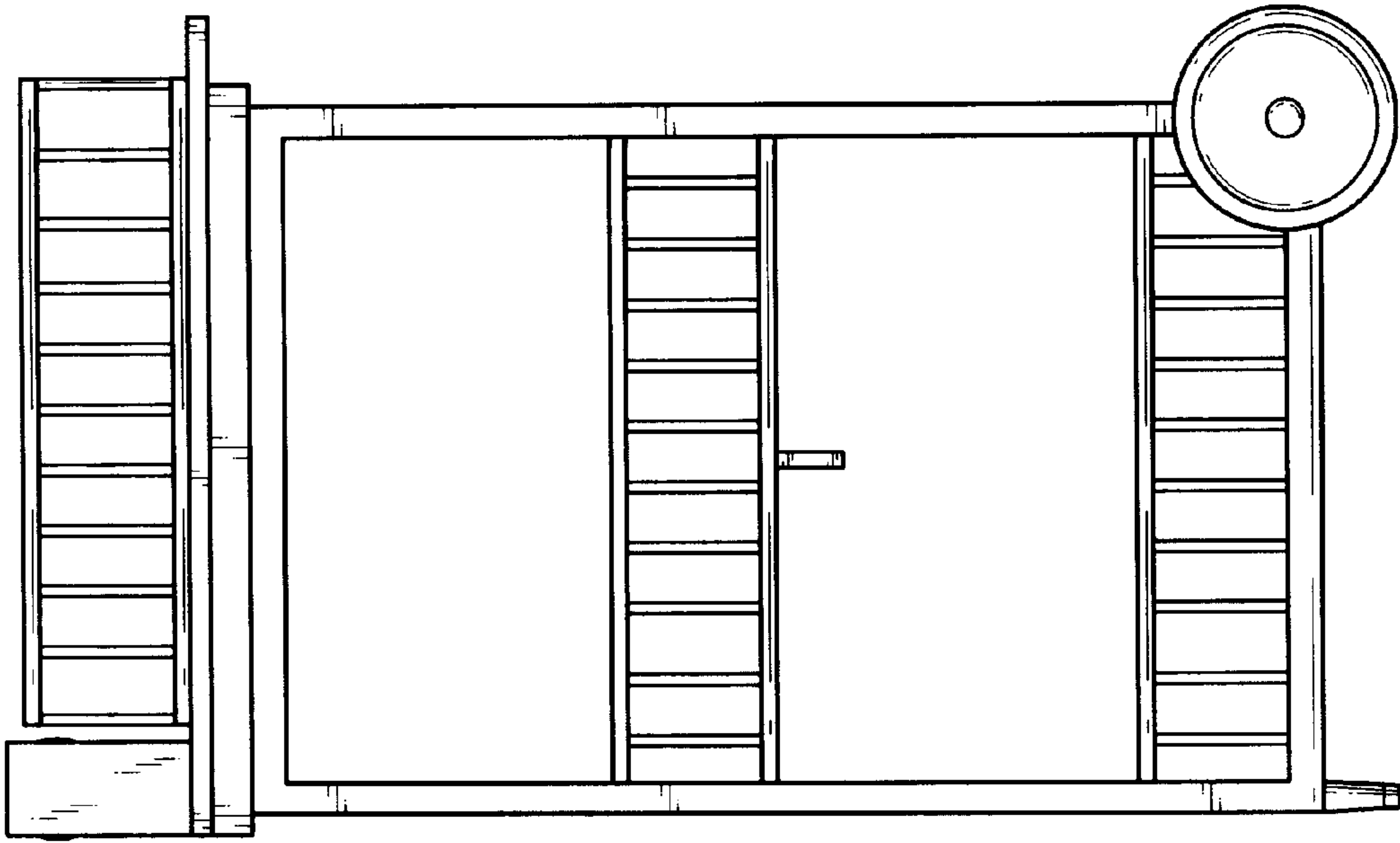


FIG. 5

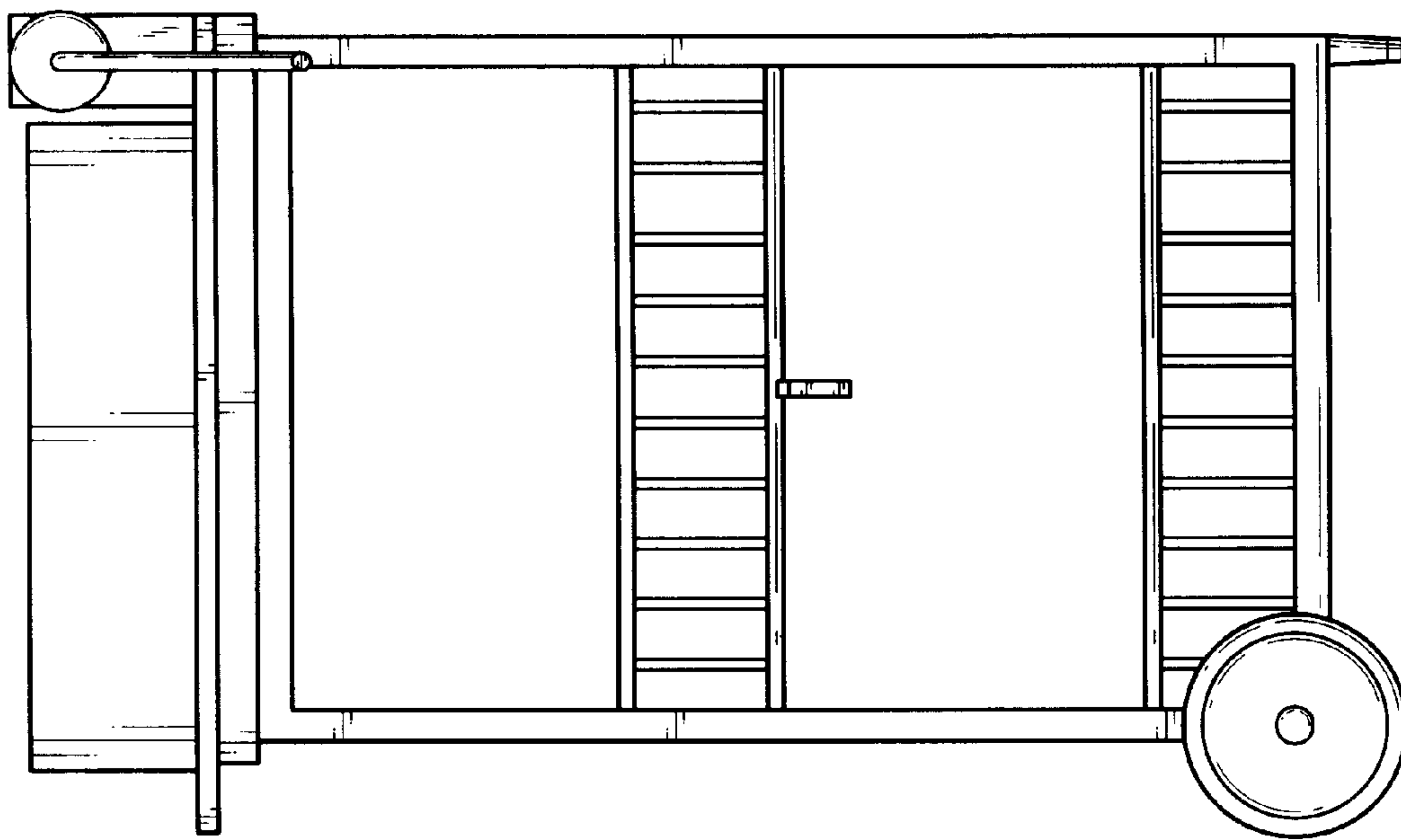


FIG. 4

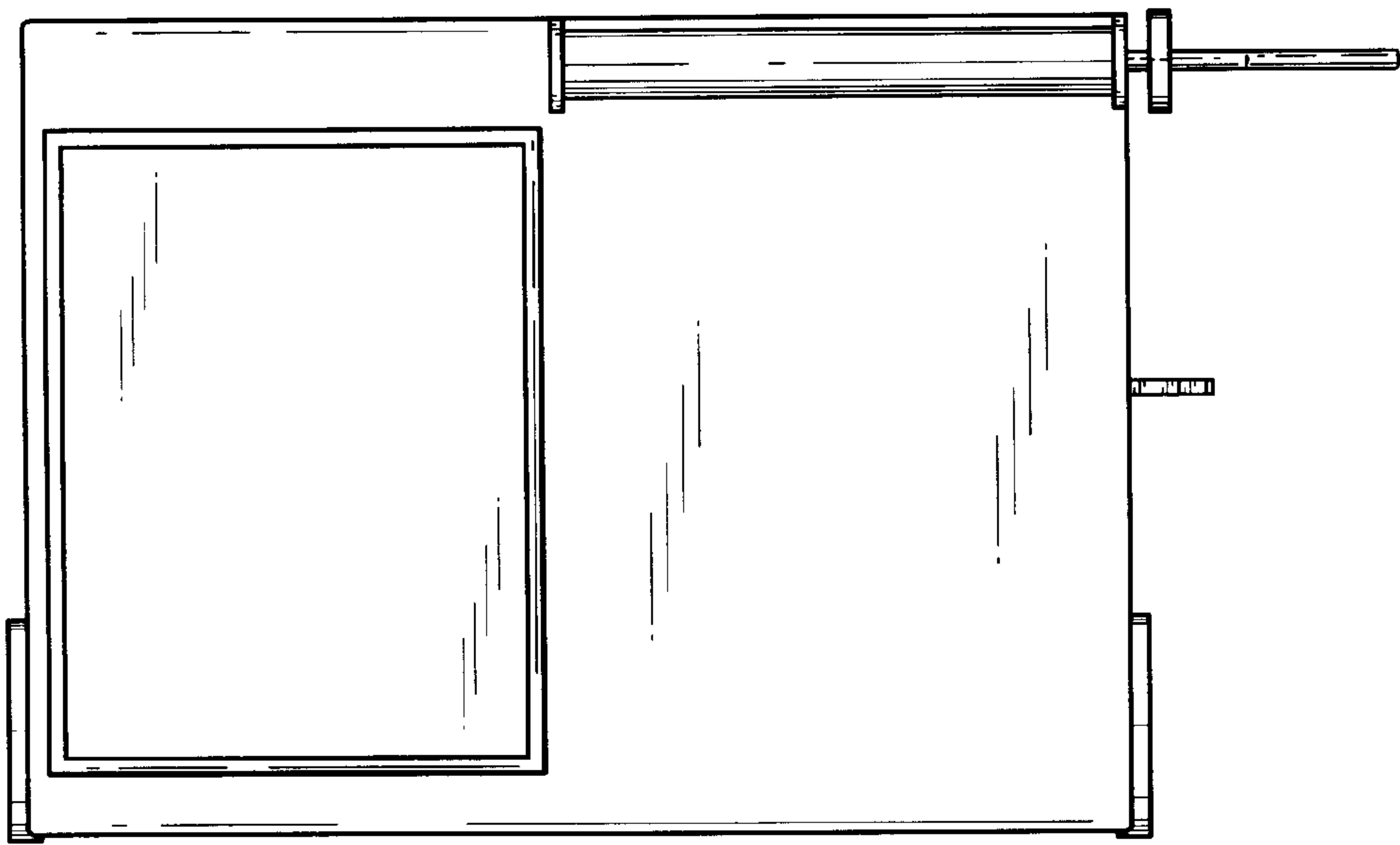


FIG. 6

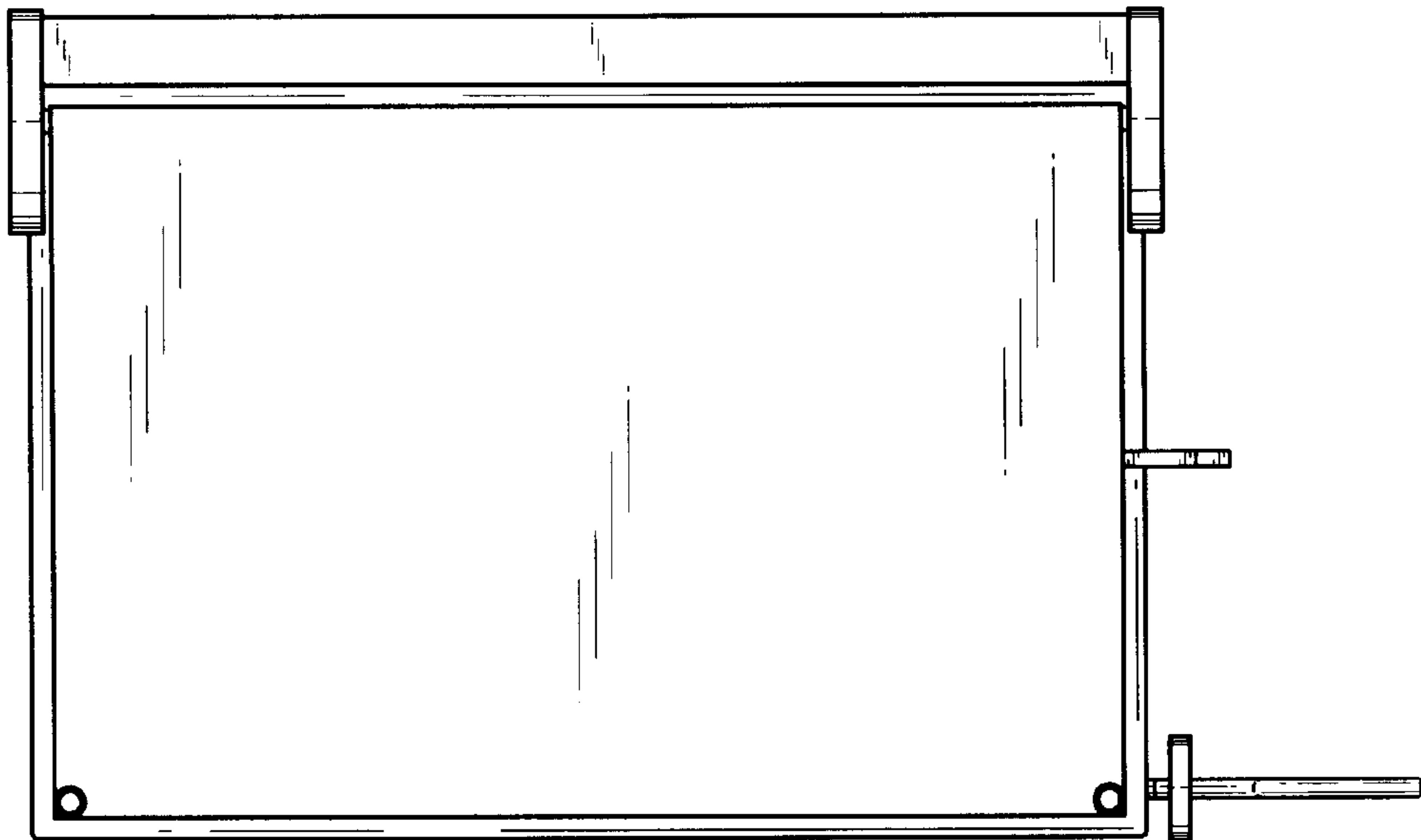


FIG. 7