



US00D430374S

United States Patent [19]

[11] **Patent Number: Des. 430,374**

Betcher et al.

[45] **Date of Patent: ** Aug. 29, 2000**

[54] **VEHICLE MAINTENANCE ANALYSIS CART**

D. 408,954 4/1999 Geier et al. D34/19

[75] Inventors: **Larry W. Betcher**, Northfield; **Thomas E. Kramer**, Coon Rapids, both of Minn.

Primary Examiner—Kay H. Chin
Attorney, Agent, or Firm—Hovey, Williams, Timmons & Collins

[73] Assignee: **SPX Corporation**, Muskegon, Mich.

[57] **CLAIM**

[**] Term: **14 Years**

The ornamental design for a vehicle maintenance analysis cart, as shown and described.

[21] Appl. No.: **29/096,660**

DESCRIPTION

[22] Filed: **Nov. 17, 1998**

[51] **LOC (7) Cl.** **12-02**

[52] **U.S. Cl.** **D34/20; D34/21**

[58] **Field of Search** D34/12-27; D6/445, D6/447, 432, 438; 280/47.35, 79.7; 312/249.1, 257, 324, 249.8

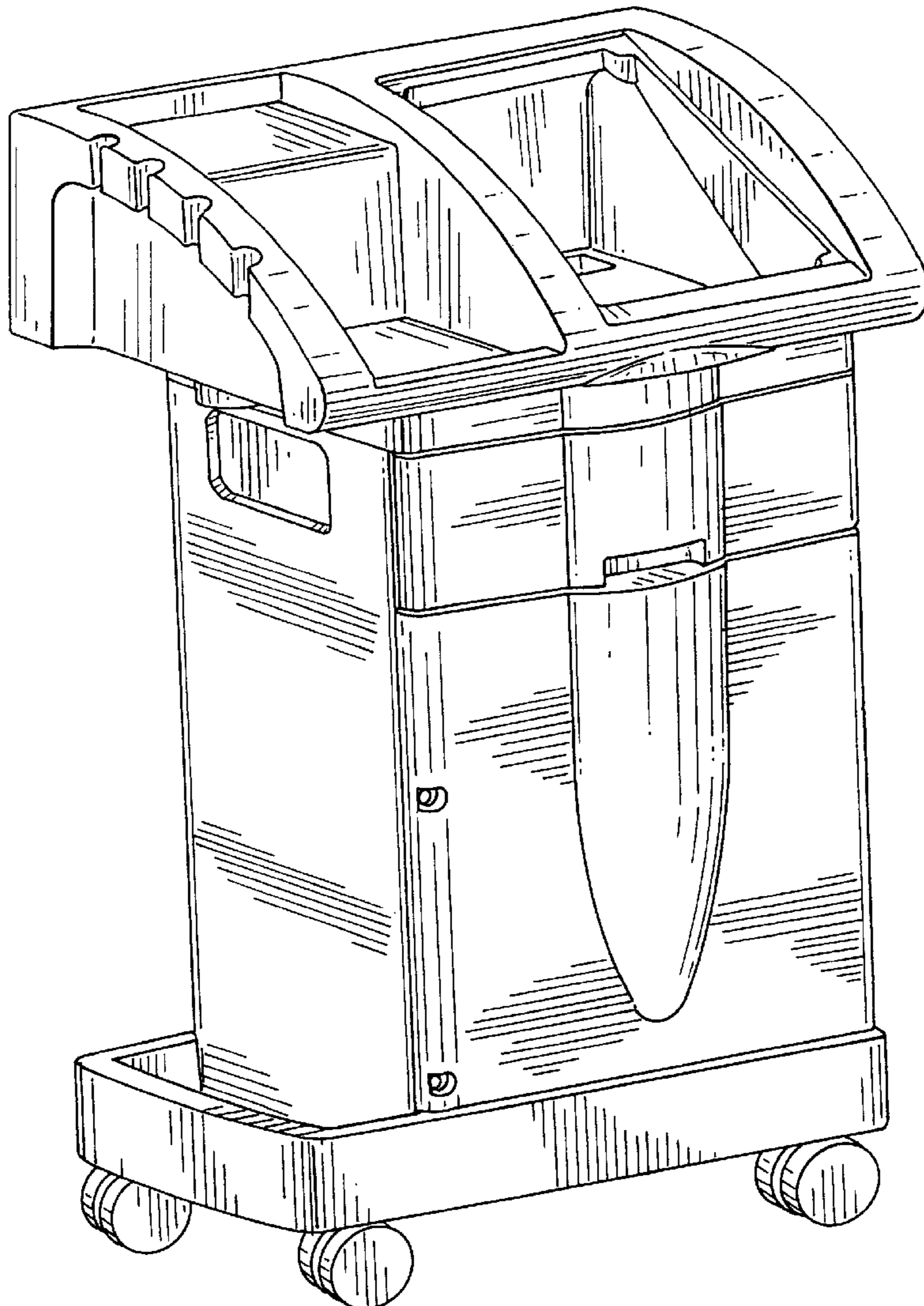
FIG. 1 is a top, front, right pictorial view of our vehicle maintenance analysis cart;
FIG. 2 is a front elevational view thereof;
FIG. 3 is a rear elevational view thereof;
FIG. 4 is a right side elevational view thereof;
FIG. 5 is a left side elevational view thereof;
FIG. 6 is a top plan view thereof; and,
FIG. 7 is a bottom plan view thereof.

[56] **References Cited**

U.S. PATENT DOCUMENTS

D. 326,023 5/1992 Hurn D6/438

1 Claim, 7 Drawing Sheets



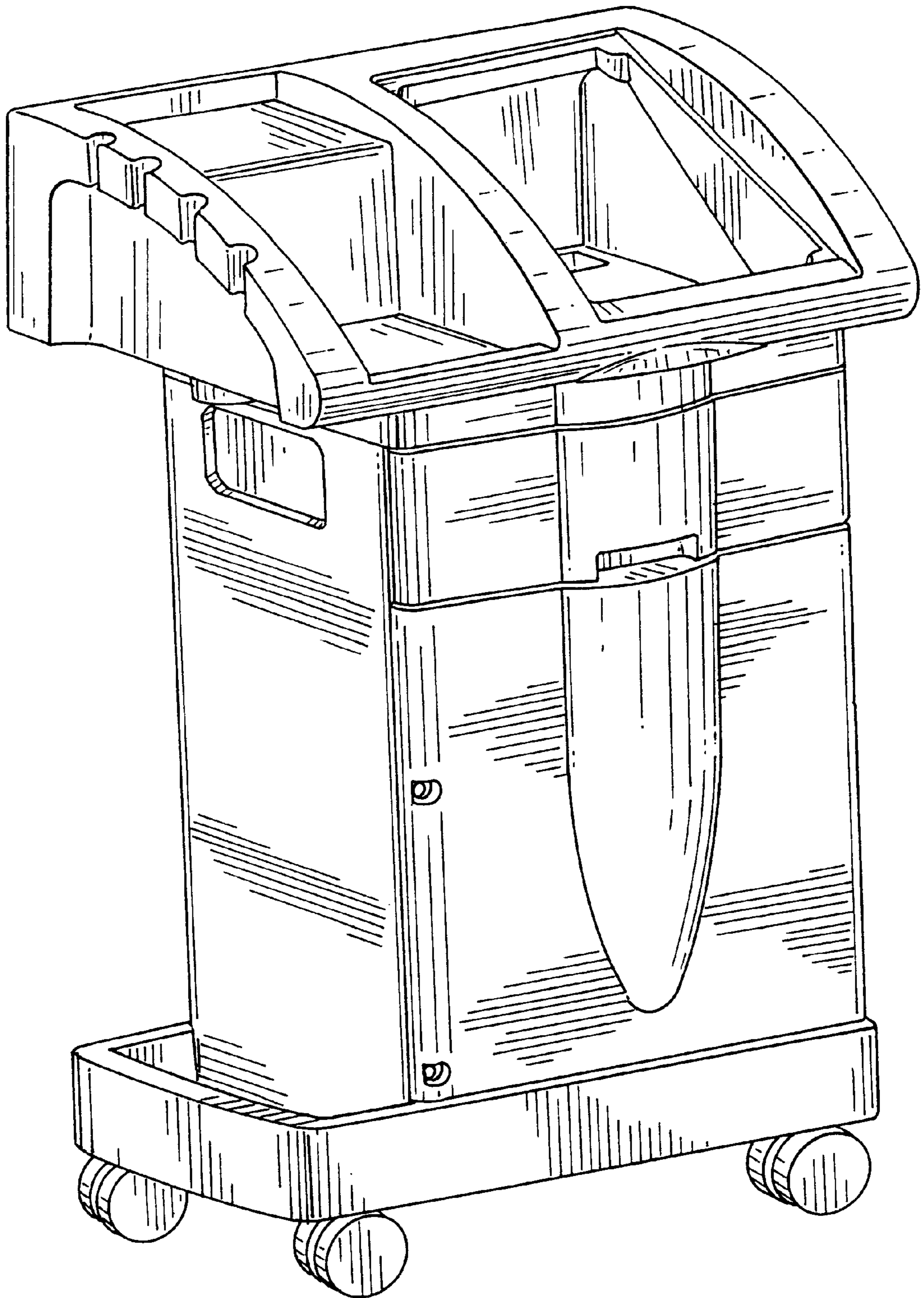


FIG. 1

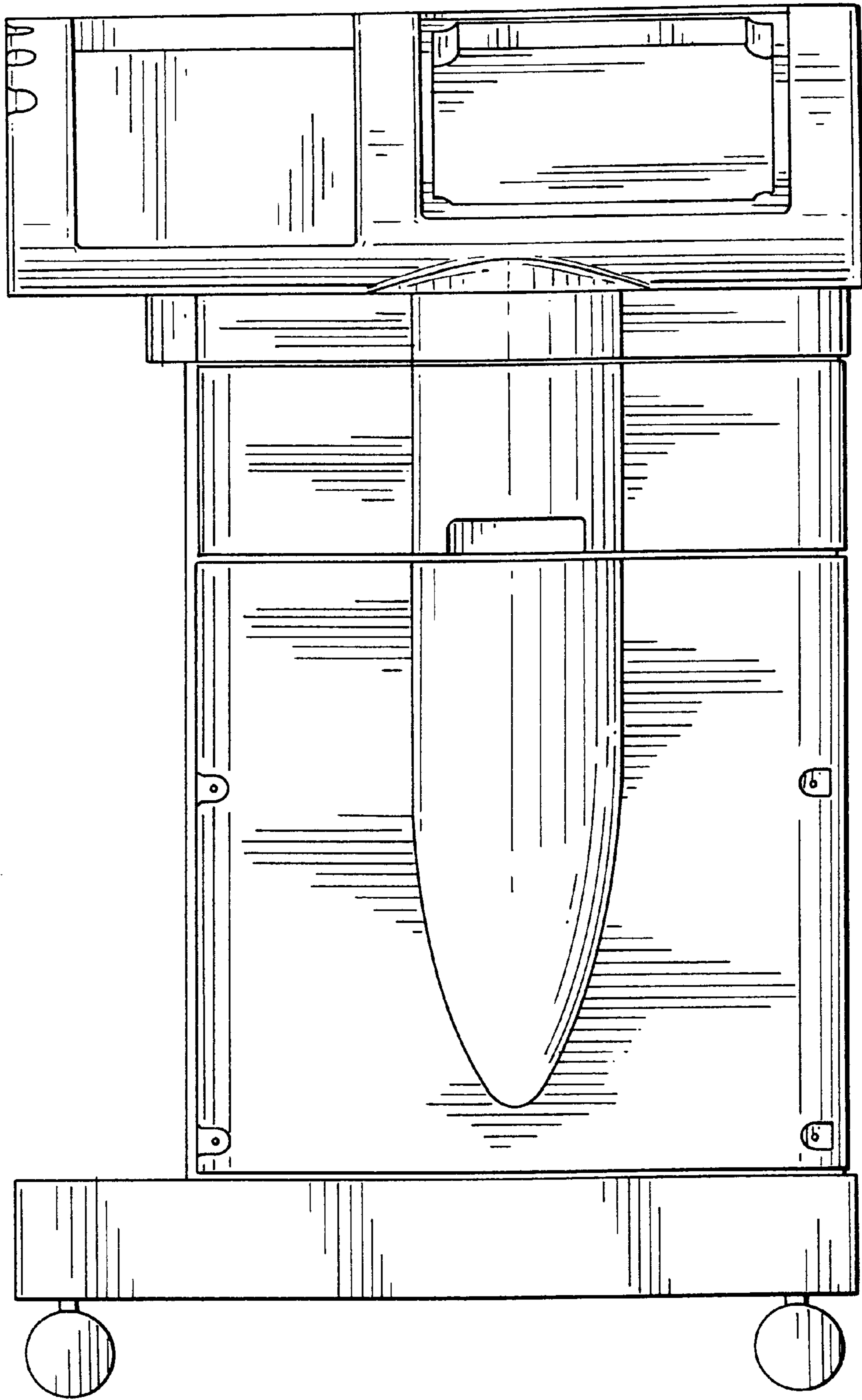


FIG. 2

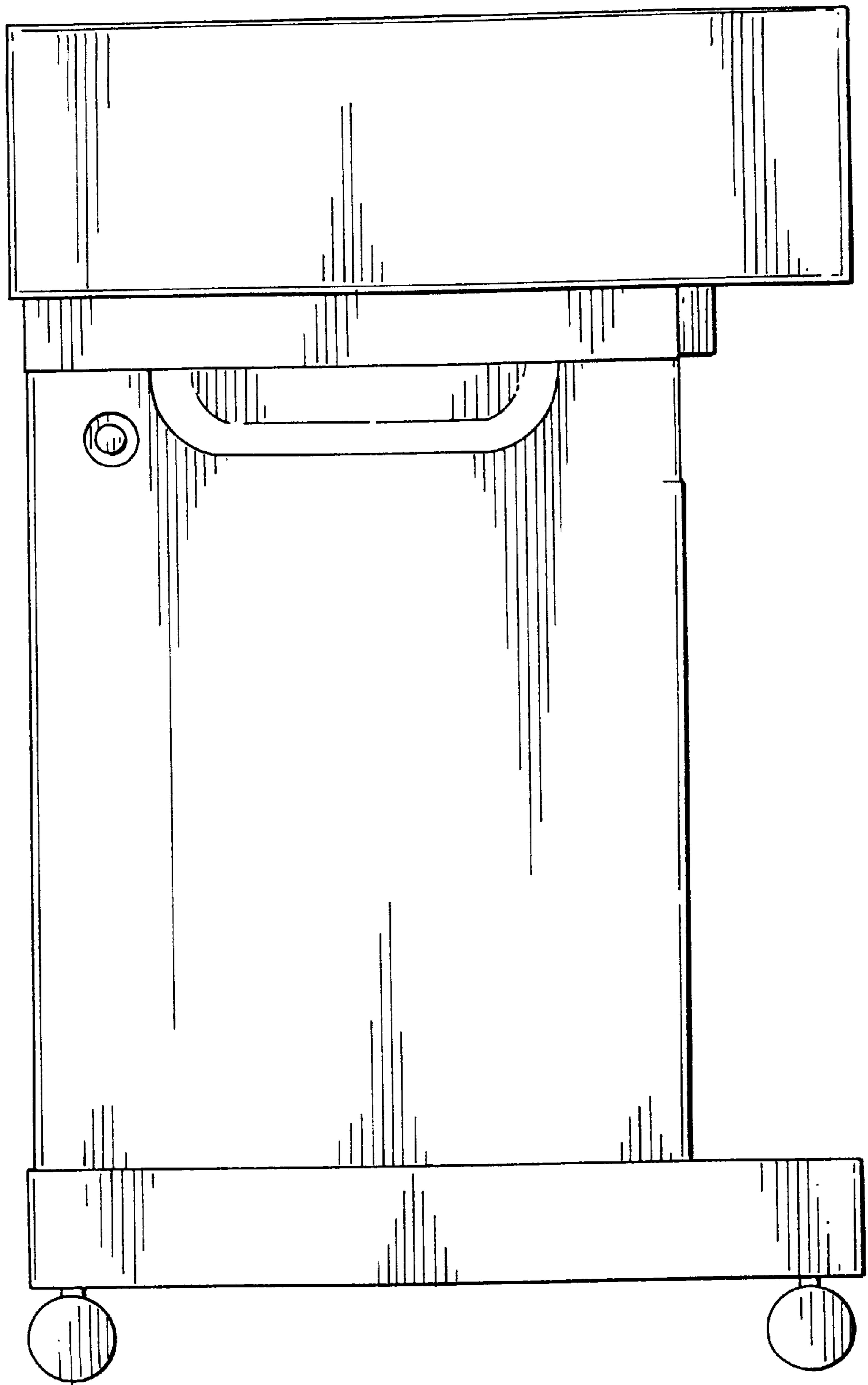


FIG. 3

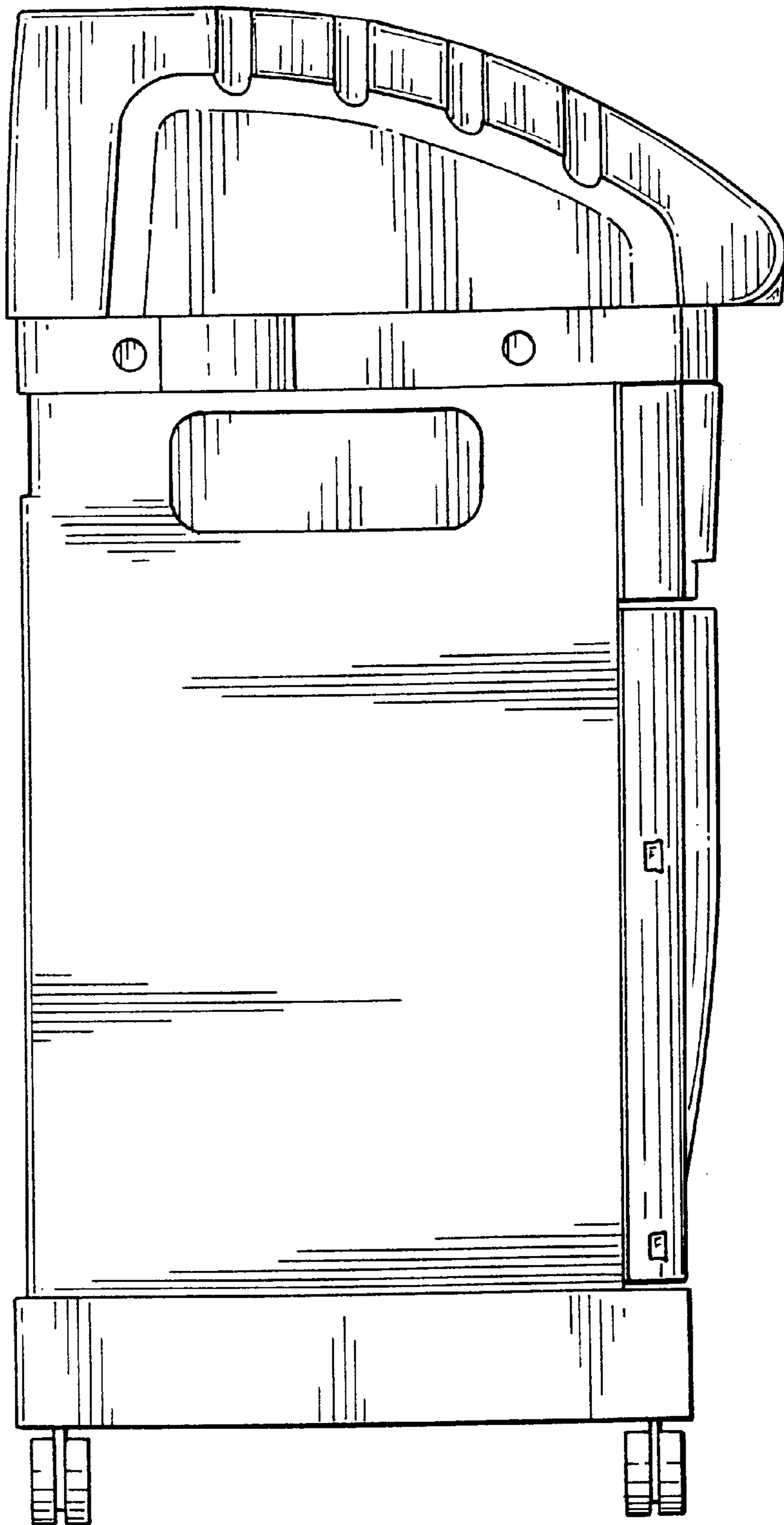


FIG. 4

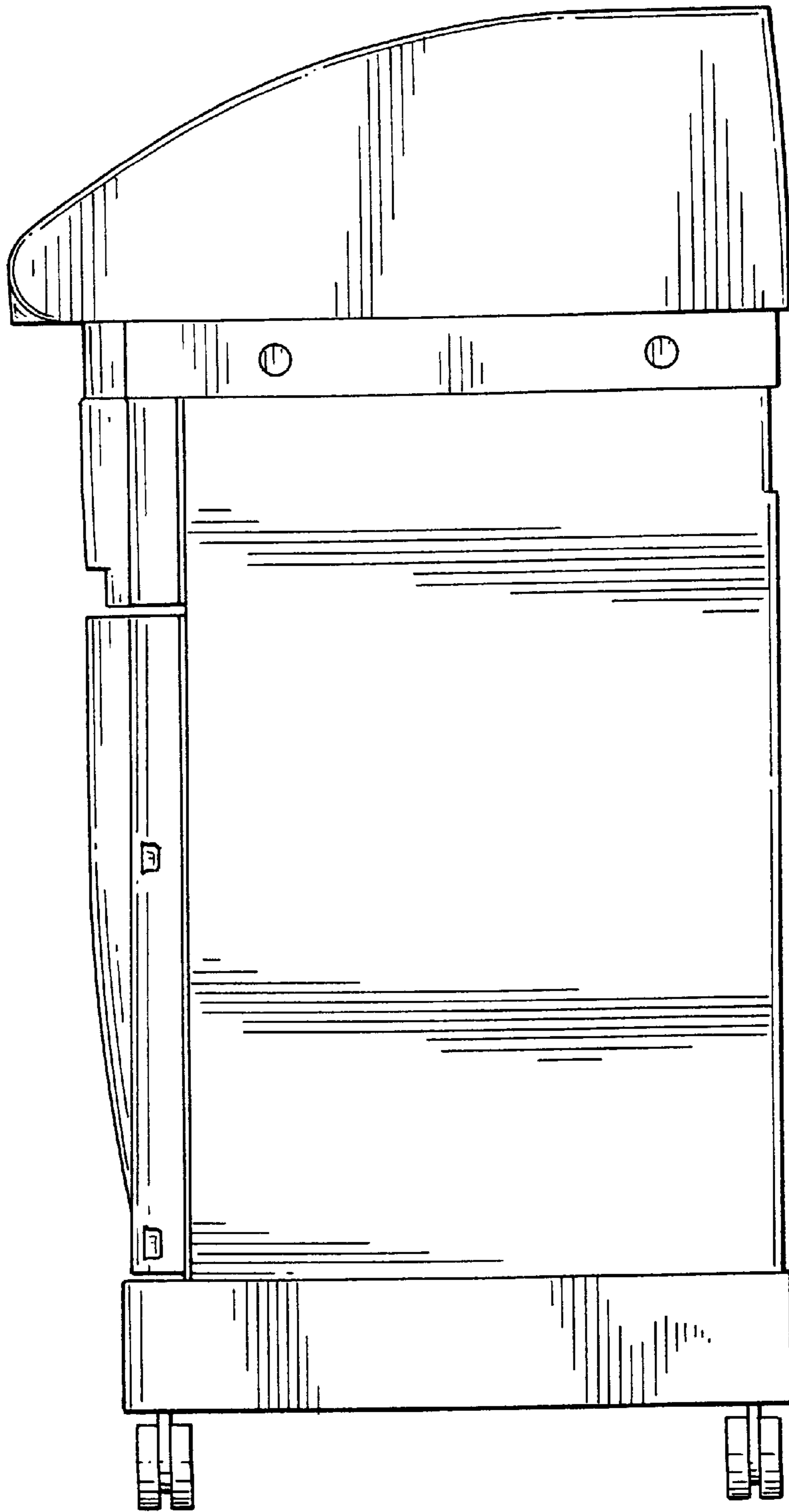


FIG. 5

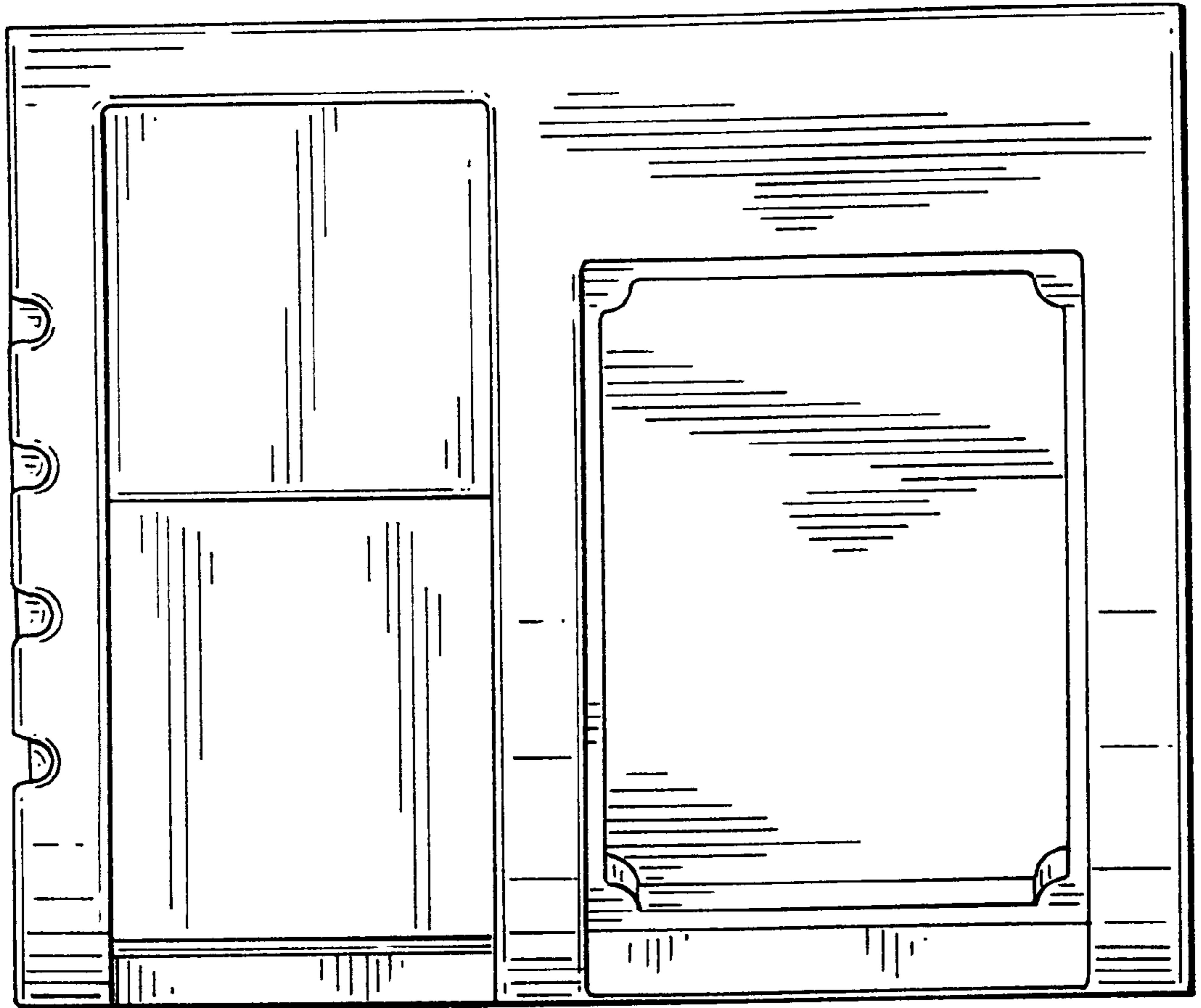


FIG. 6

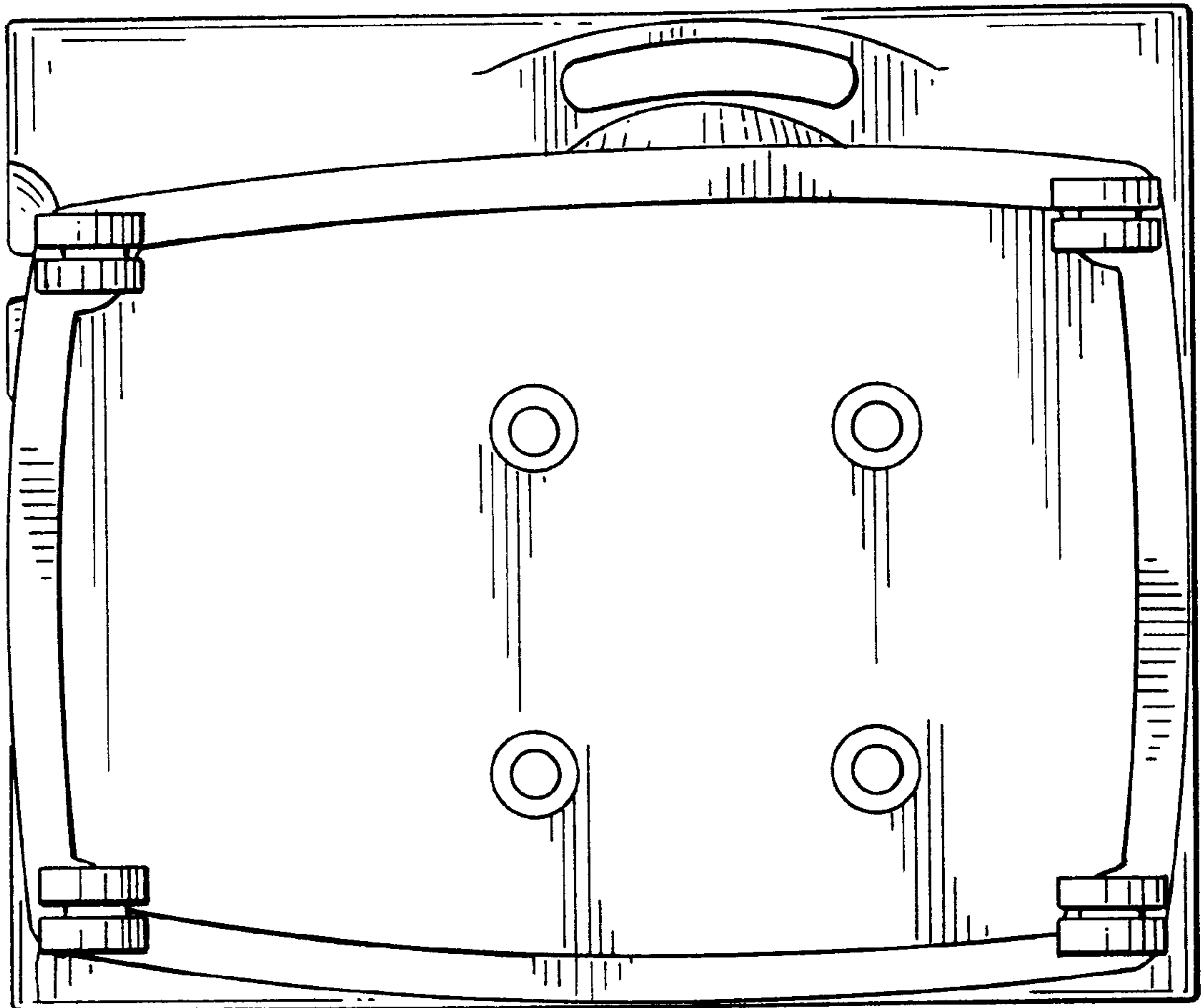


FIG. 7