



US00D430372S

United States Patent [19]

Howard et al.

[11] Patent Number: Des. 430,372

[45] Date of Patent: ** Aug. 29, 2000

[54] WASTEBASKET

[75] Inventors: Susan E. Howard, Richmond; Daniel E. Sabourin, Port Coquitlam, both of Canada

[73] Assignee: JRS Amenities Ltd., Richmond, Canada

[**] Term: 14 Years

[21] Appl. No.: 29/089,473

[22] Filed: Jun. 16, 1998

Related U.S. Application Data

[63] Continuation-in-part of application No. 29/080,835, Dec. 17, 1997, Pat. No. Des. 407,534.

[51] LOC (7) Cl. 09-01

[52] U.S. Cl. D34/1

[58] Field of Search D34/1, 5, 6, 7, D34/9, 10; D3/313, 311; 220/908, 909, 910, 911, 500

[56] References Cited

U.S. PATENT DOCUMENTS

D. 308,272	5/1990	Koepsell	D34/6
D. 319,519	8/1991	Keir	D34/7
D. 329,110	9/1992	Haneberg	D34/5
D. 340,333	10/1993	Duran et al.	D34/7
D. 345,239	3/1994	Cooper	.	
D. 347,923	6/1994	Martin et al.	.	
D. 375,200	11/1996	Nugent	D3/313
D. 376,231	12/1996	McLain	D32/37
D. 399,348	10/1998	Dancyger	D3/313
D. 401,027	11/1998	Mueller	D34/6
D. 407,534	3/1999	Howard et al.	D34/1

D. 407,929	4/1999	Woodring	D3/313 X
3,720,346	3/1973	Cypher	.	
4,834,253	5/1989	Crine	.	
4,874,111	10/1989	Heller	.	
4,913,308	4/1990	Culbertson	.	
4,991,737	2/1991	Edelman	.	
5,050,755	9/1991	Strawder	220/909 X
5,085,342	2/1992	Strawder	.	
5,193,713	3/1993	Geathouse et al.	220/909 X
5,366,189	11/1994	Thompson	.	
5,810,187	9/1998	Woodring	220/909 X

Primary Examiner—Susan J. Lucas
Assistant Examiner—Cynthia E. Ramirez
Attorney, Agent, or Firm—Oyen Wiggs Green & Mutala

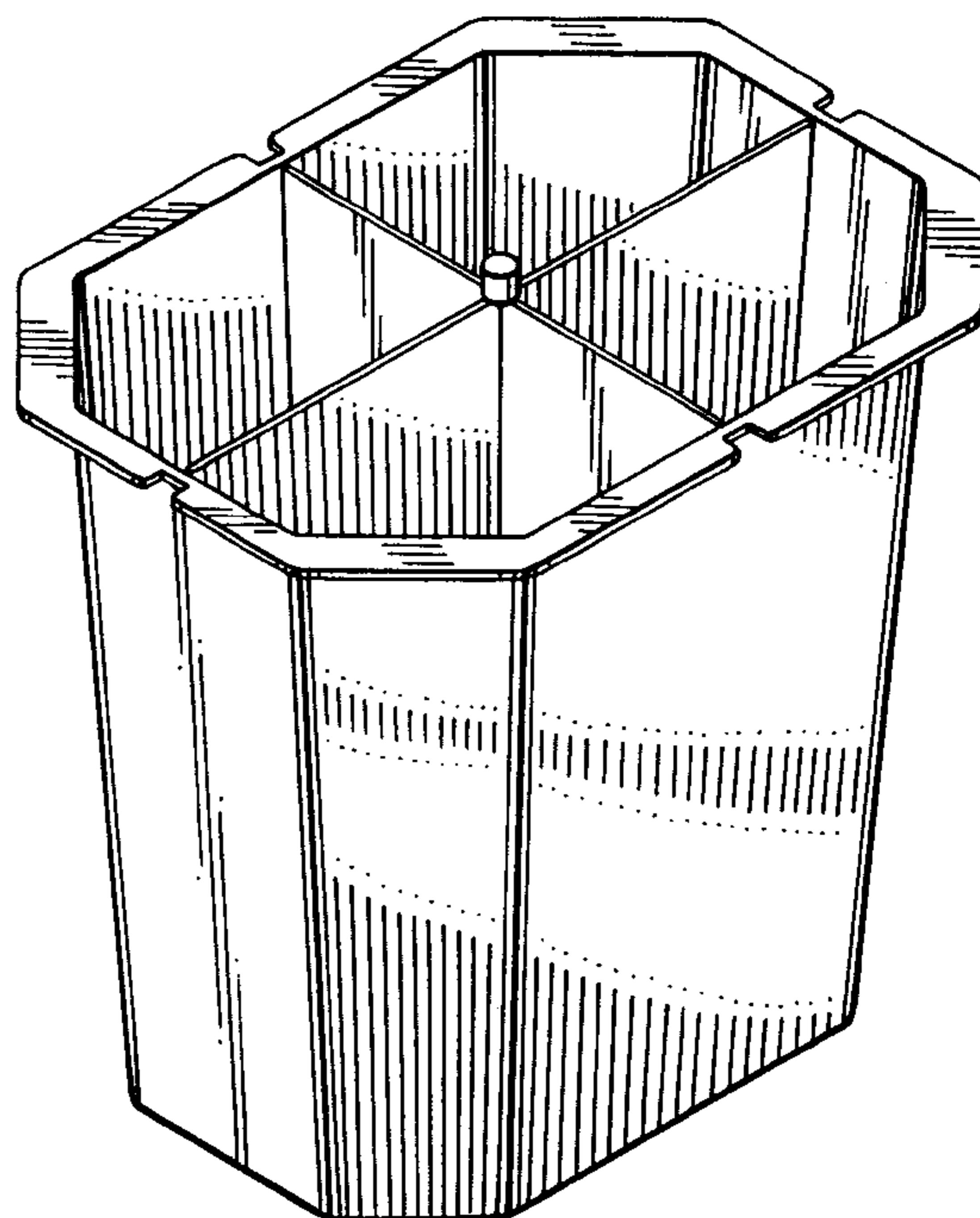
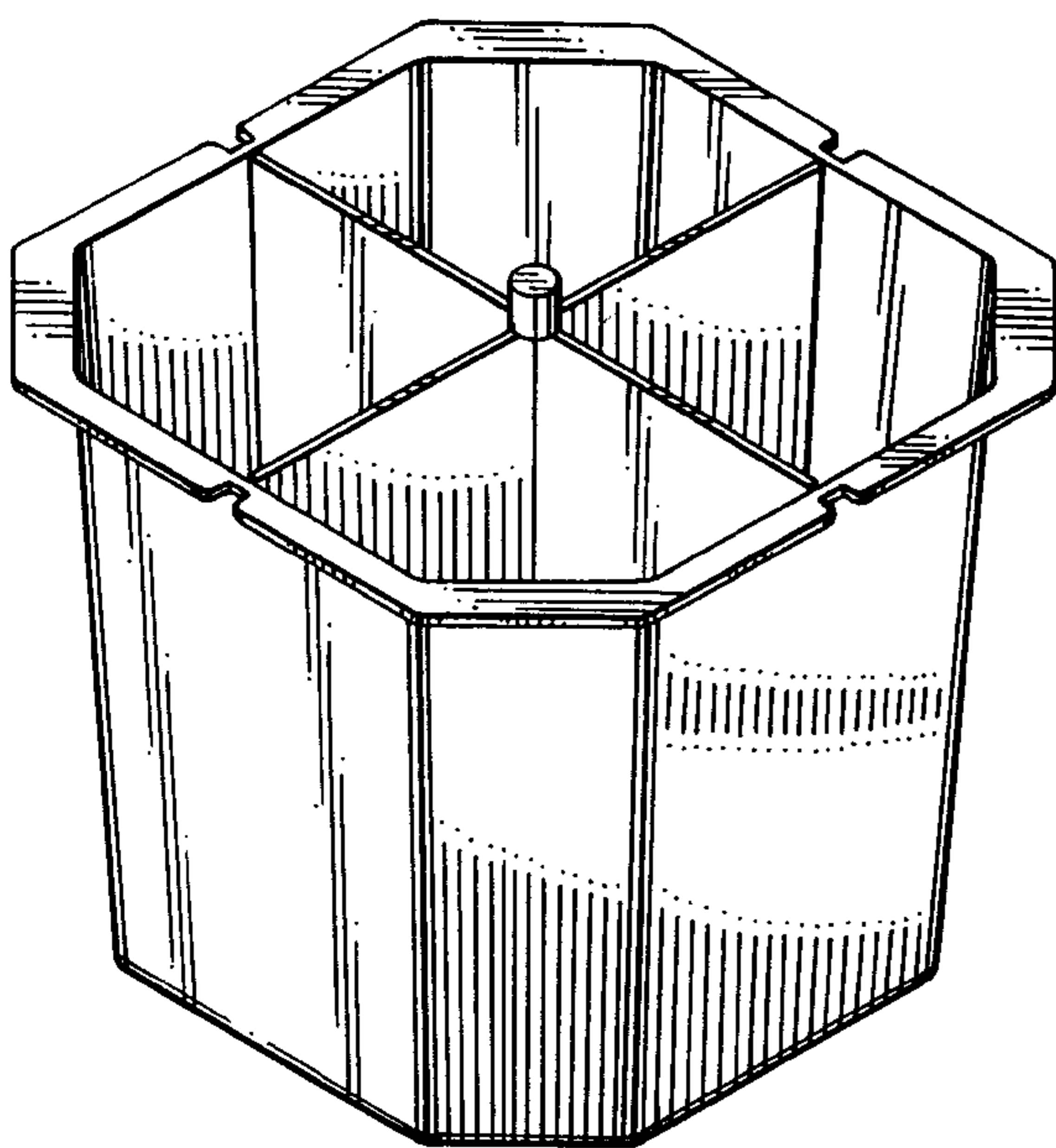
[57] CLAIM

The ornamental design for a wastebasket, as shown and described.

DESCRIPTION

FIG. 1 is a perspective view of the first variant of the wastebasket;
FIG. 2 is a top plan view thereof;
FIG. 3 is a front elevation view thereof, the back elevation, left side elevation and right side elevation views being identical thereto;
FIG. 4 is a bottom plan view thereof;
FIG. 5 is a perspective view of the second variant of the wastebasket;
FIG. 6 is a top plan view thereof;
FIG. 7 is a front elevation view thereof, the back elevation view being identical thereto;
FIG. 8 is a right side elevation view, the left side elevation view being identical thereto; and,
FIG. 9 is a bottom plan view thereof.

1 Claim, 4 Drawing Sheets



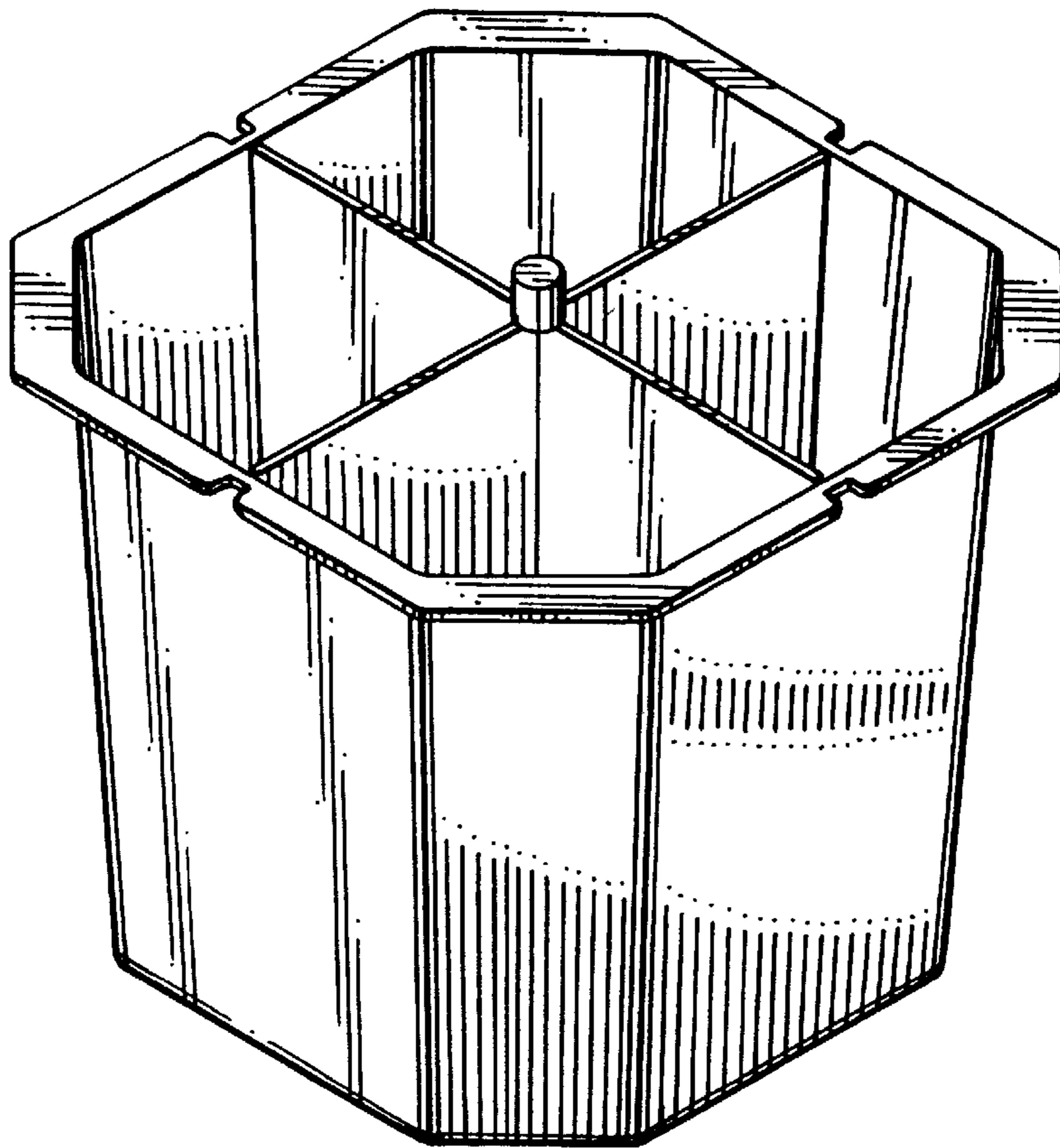


FIG. 1

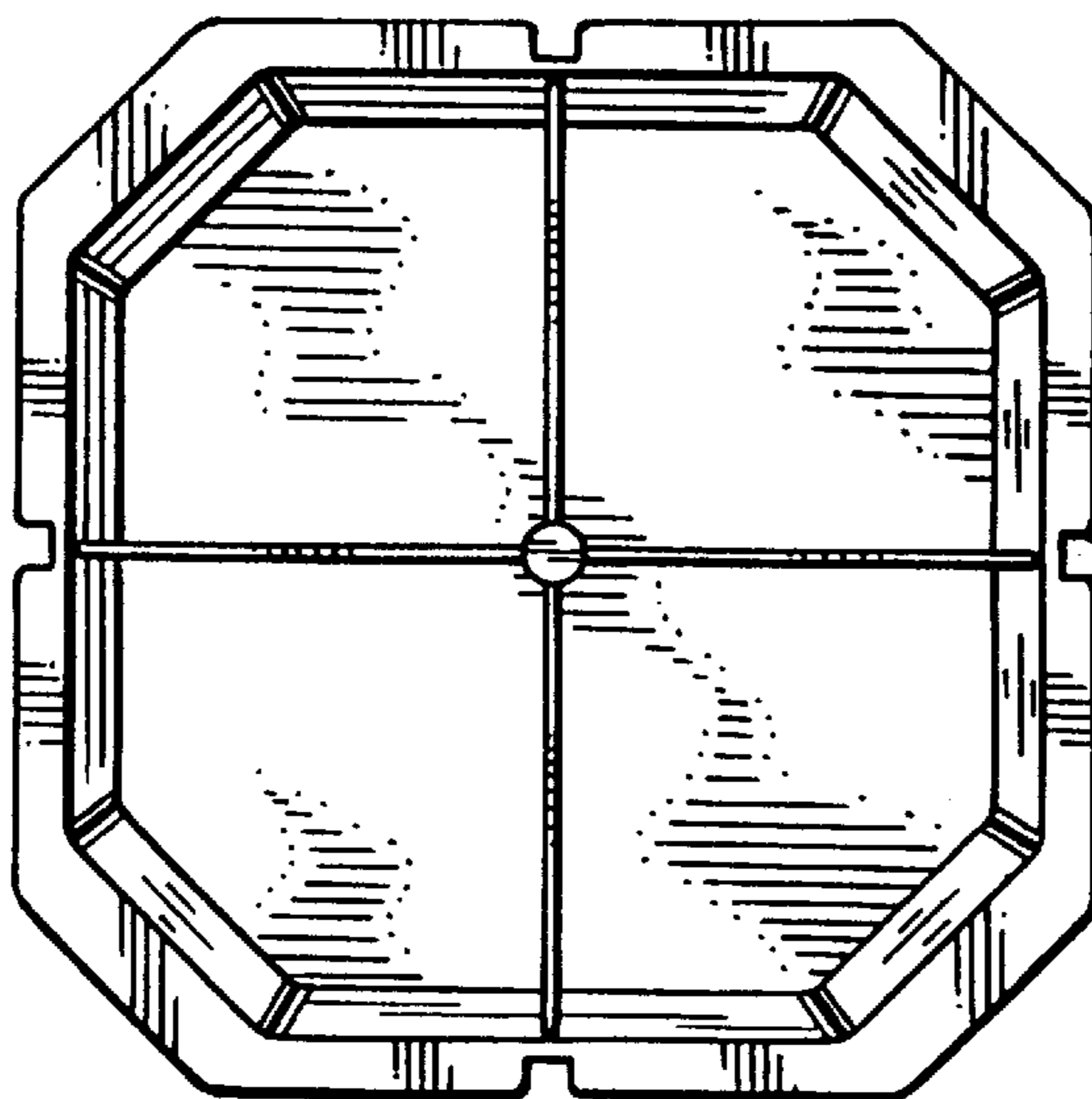


FIG. 2

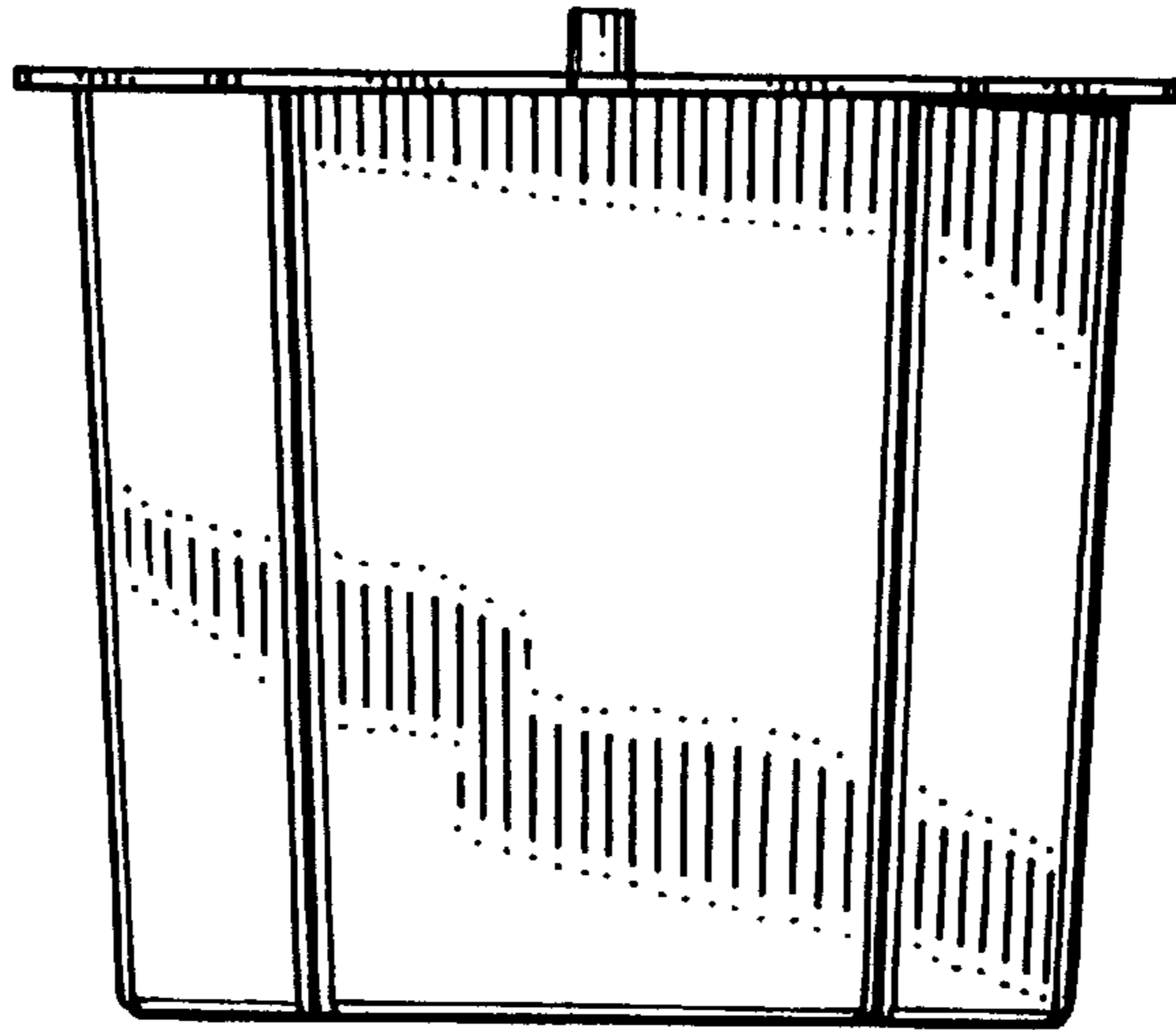


FIG. 3

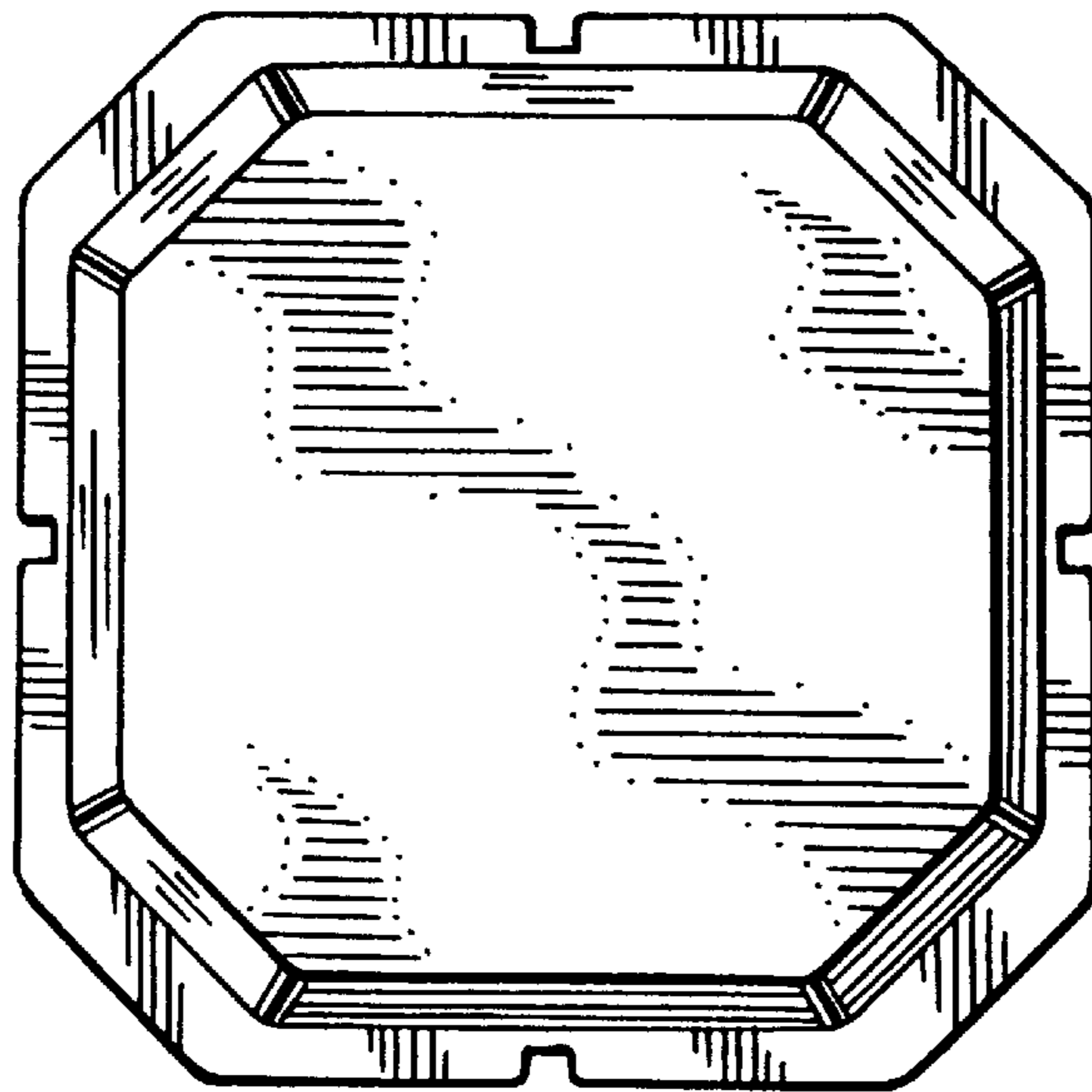


FIG. 4

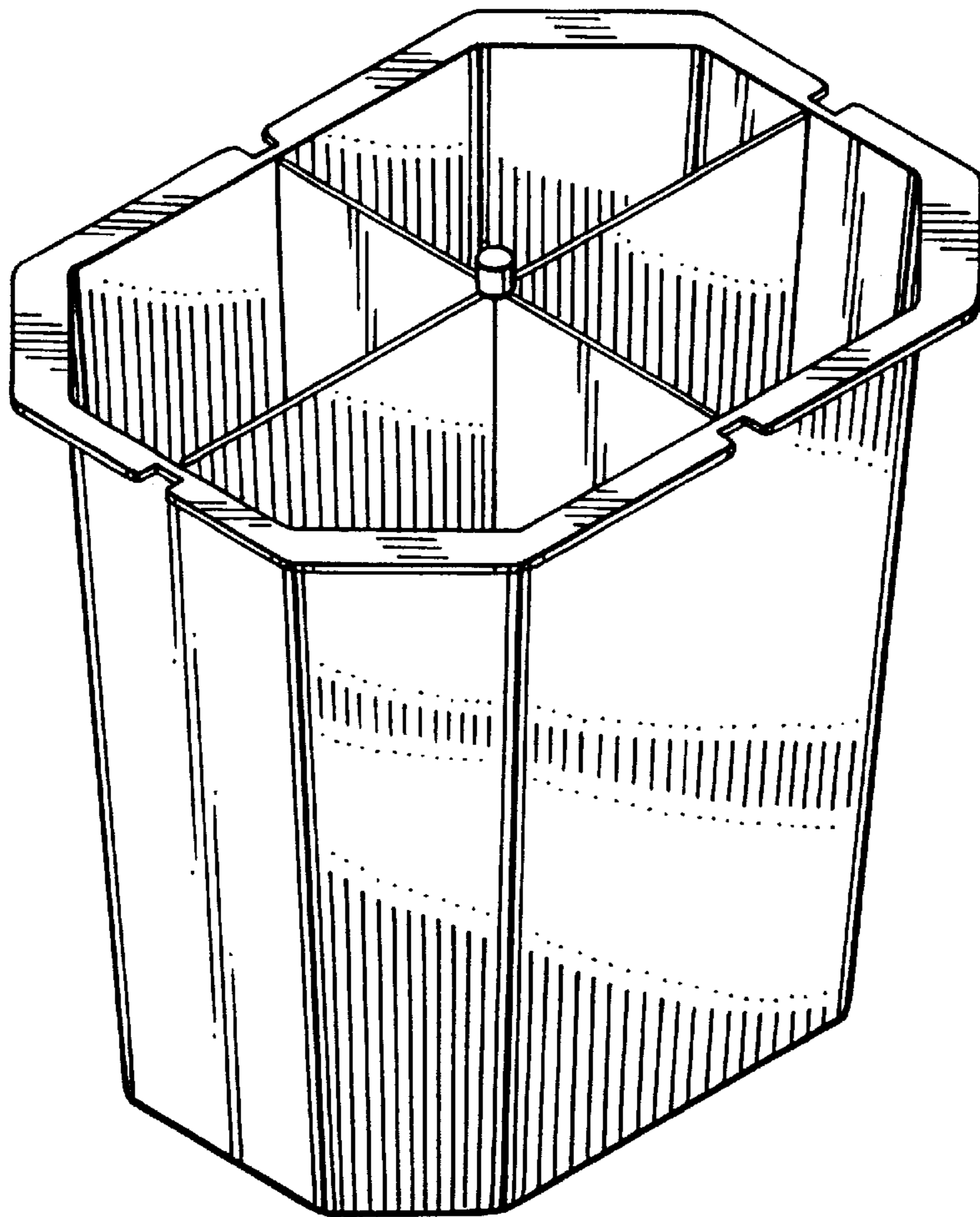


FIG. 5

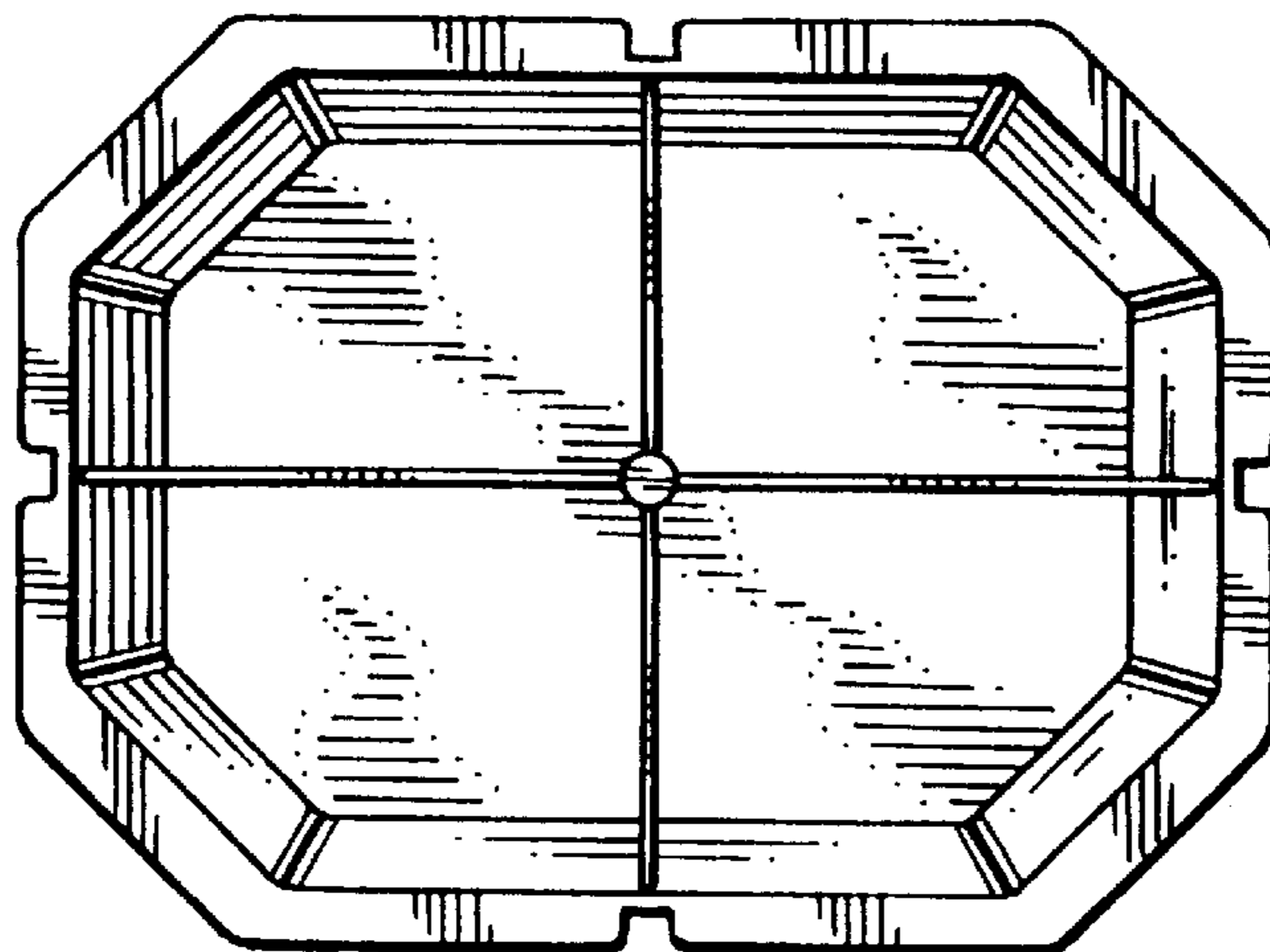


FIG. 6

