



US00D430370S

United States Patent [19]
Rosal

[11] **Patent Number: Des. 430,370**

[45] **Date of Patent: ** Aug. 29, 2000**

[54] **DISH DRYER**

5,158,184 10/1992 Craft et al. D32/55

[76] Inventor: **Floro Rosal**, 15910 Cadwell St., La Puente, Calif. 91744

Primary Examiner—Robin V. Taylor
Attorney, Agent, or Firm—Goldstein & Canino

[**] Term: **14 Years**

[57] **CLAIM**

[21] Appl. No.: **29/103,091**

The ornamental design for a dish dryer, as shown and described.

[22] Filed: **Apr. 8, 1999**

DESCRIPTION

[51] **LOC (7) Cl.** **07-05**

[52] **U.S. Cl.** **D32/55**

[58] **Field of Search** D32/55-6; 220/571, 220/572, 487

FIG. 1 is a diagrammatic perspective view of the dish dryer.
FIG. 2 is a front elevational view thereof.
FIG. 3 is a rear elevational view thereof.
FIG. 4 is a top plan view thereof.
FIG. 5 is a bottom plan view thereof.
FIG. 6 is a left side elevational view of the dish dryer; and,
FIG. 7 is a right side elevational view thereof.

[56] **References Cited**

U.S. PATENT DOCUMENTS

- D. 394,924 6/1998 Julien D32/55
- D. 407,879 4/1999 Gunawan D32/55

1 Claim, 5 Drawing Sheets

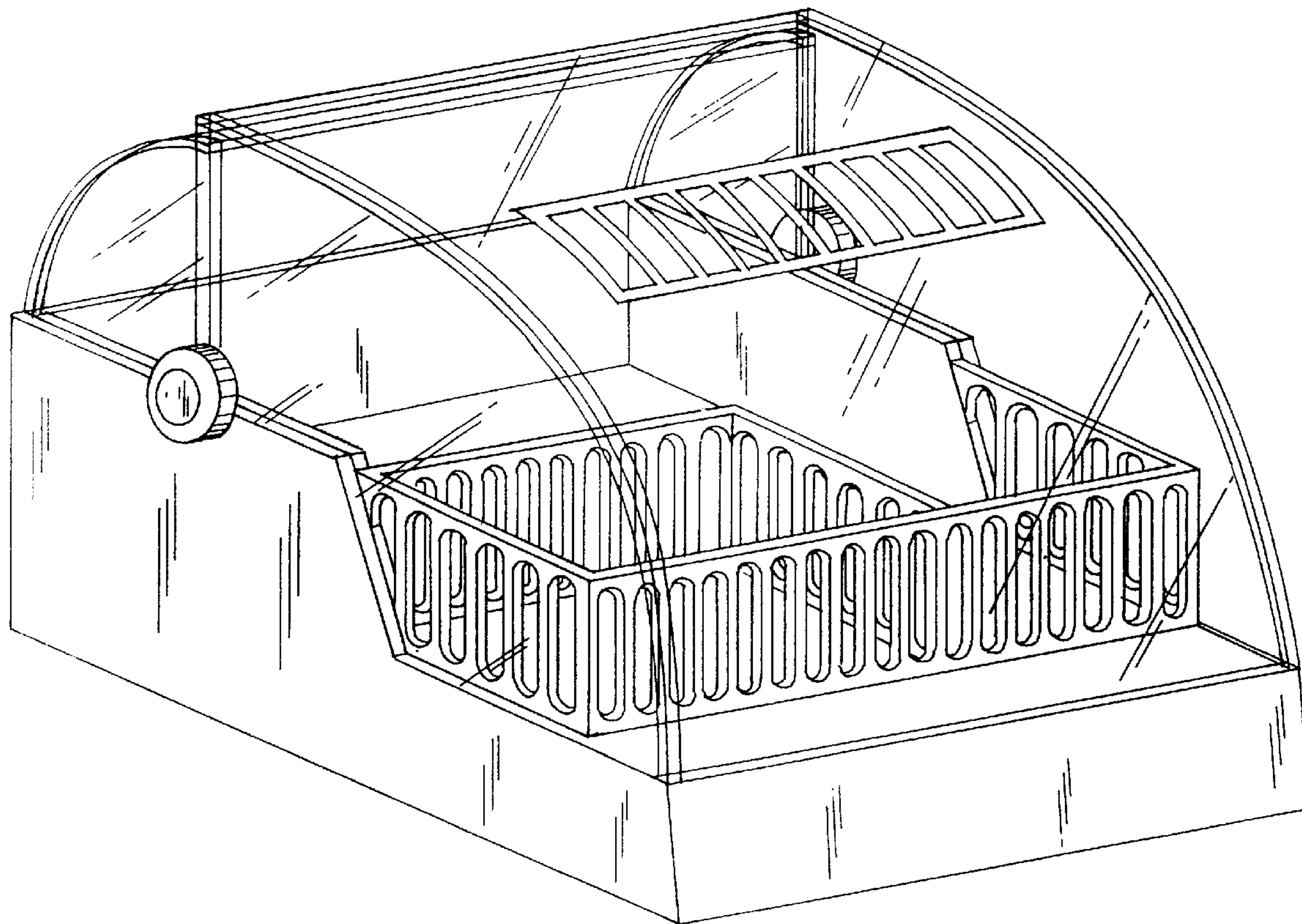


FIG. 1

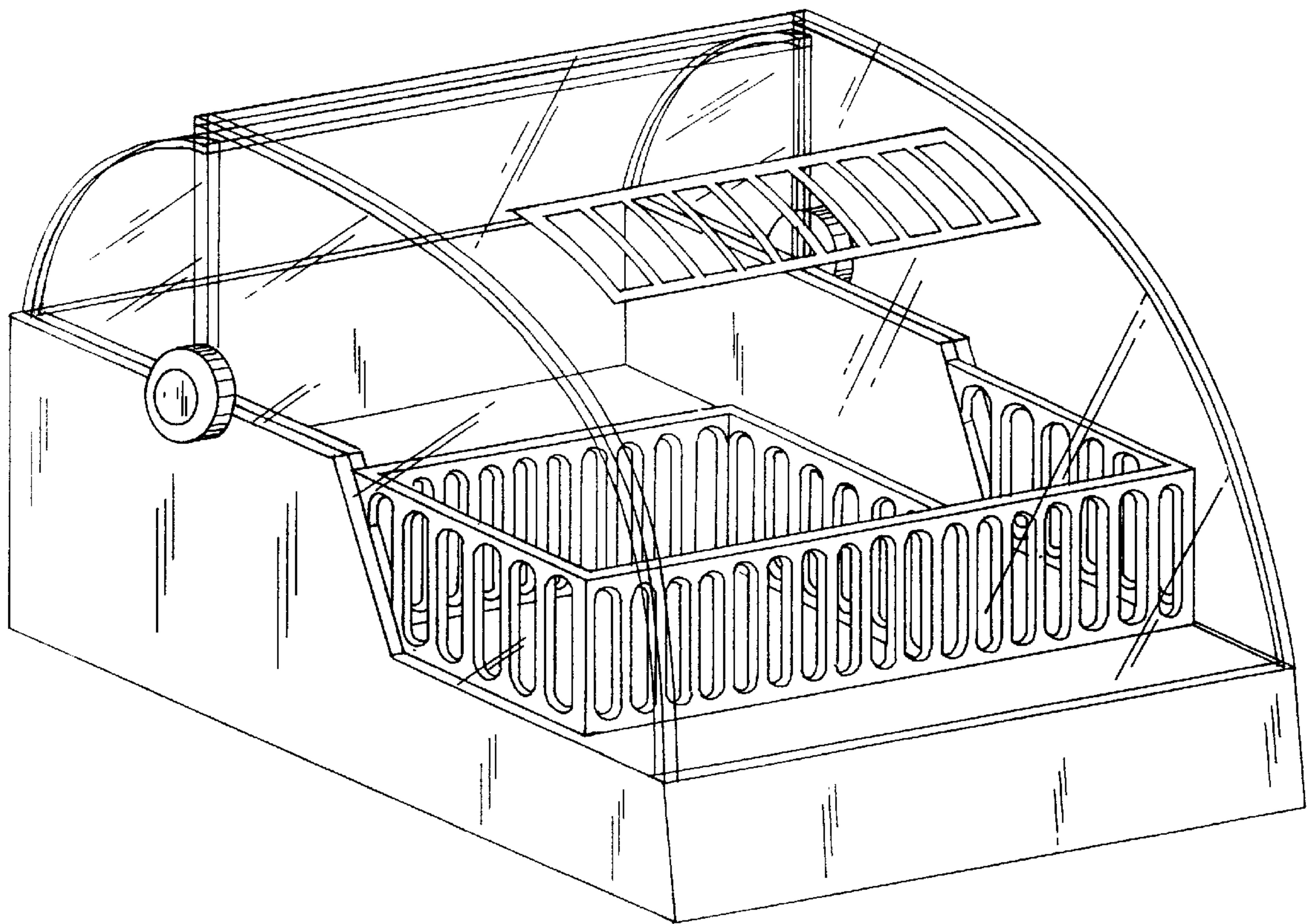


FIG. 2

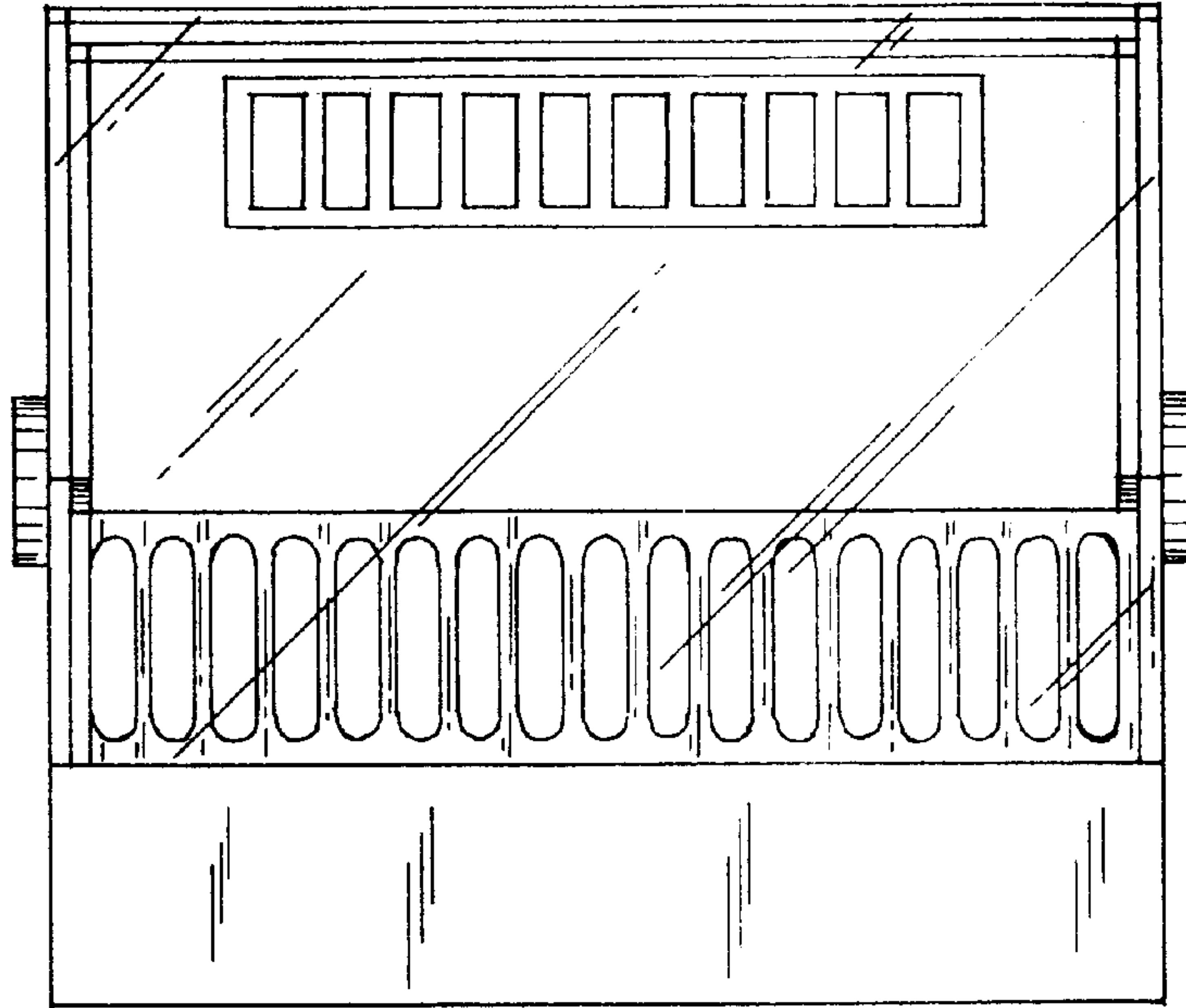


FIG. 3

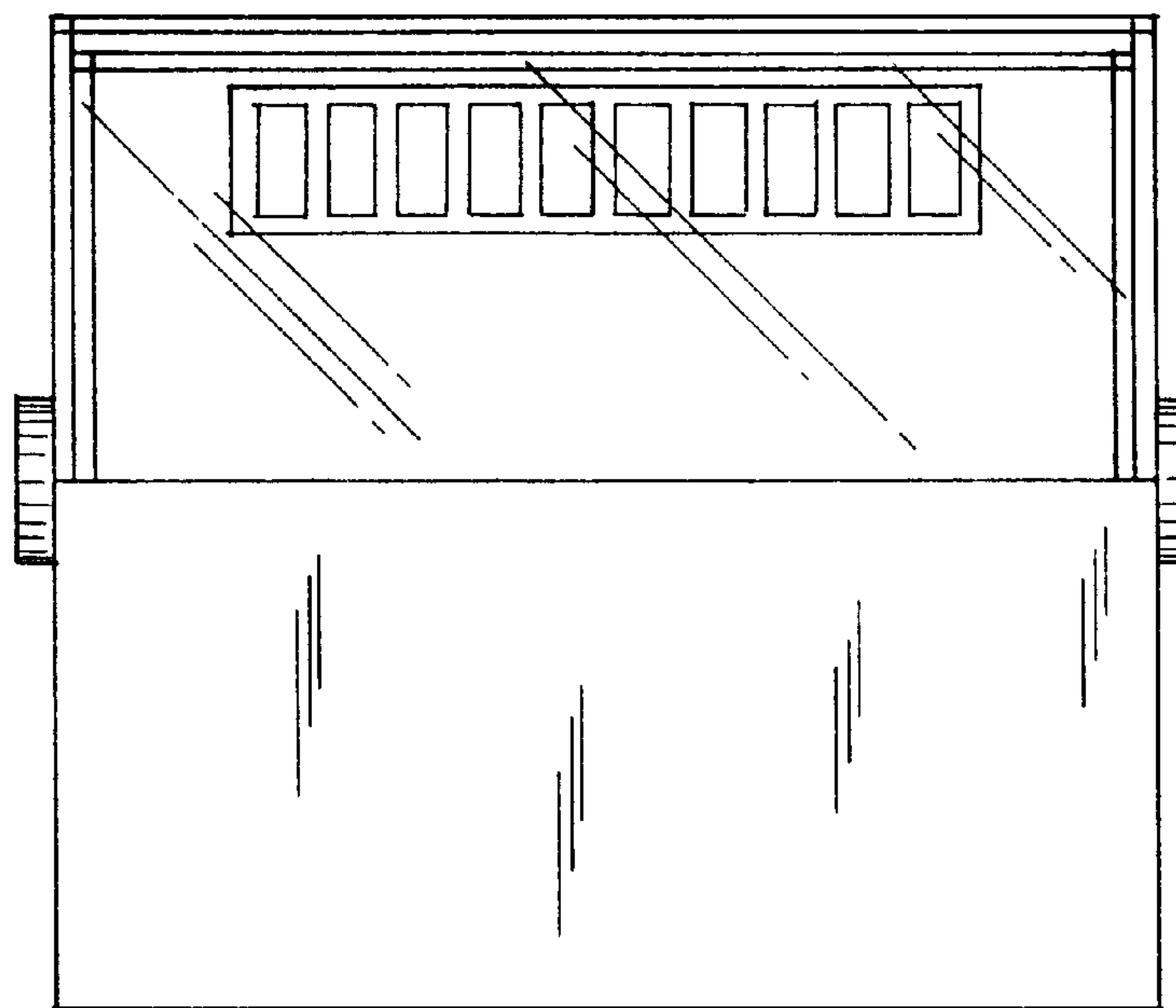


FIG. 4

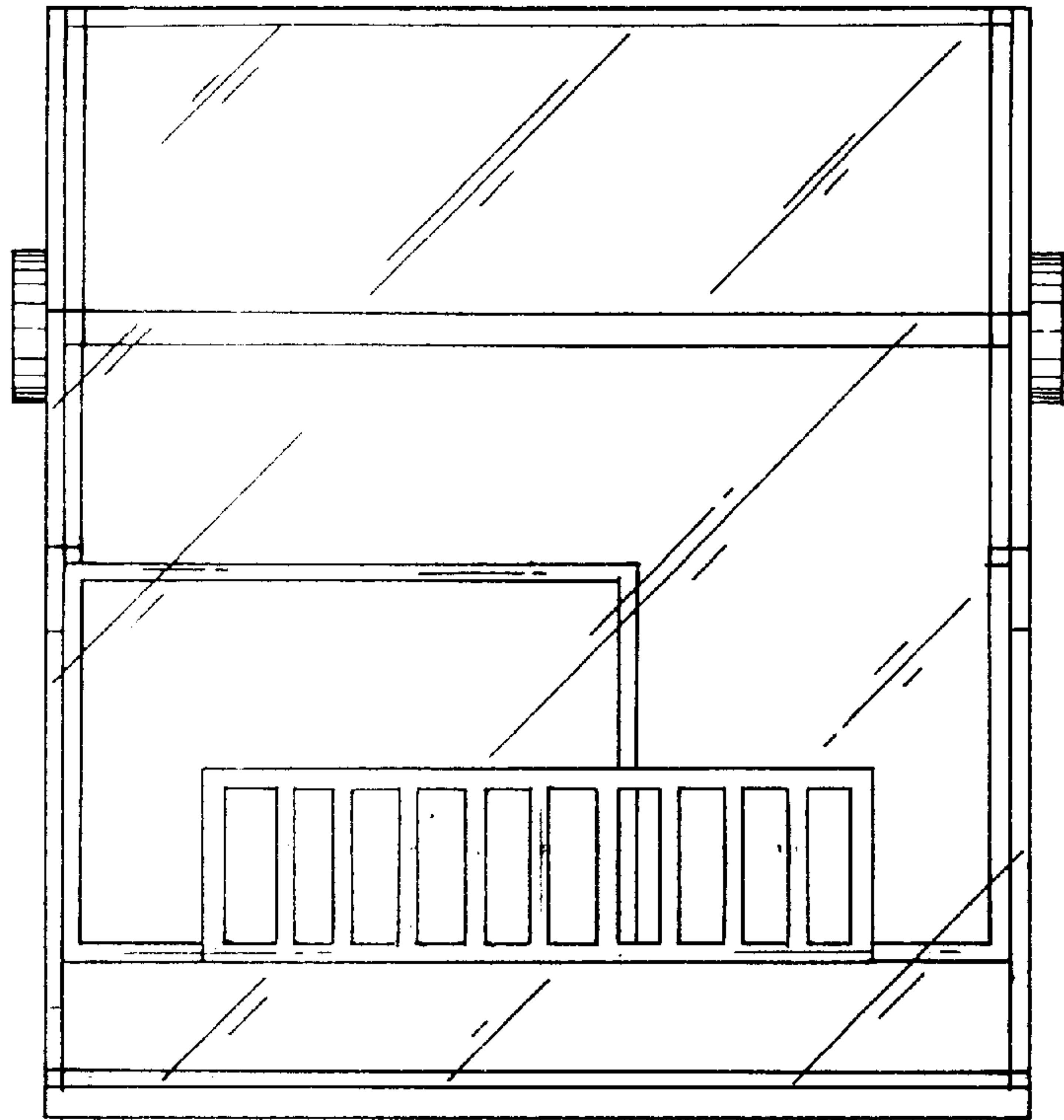


FIG. 5

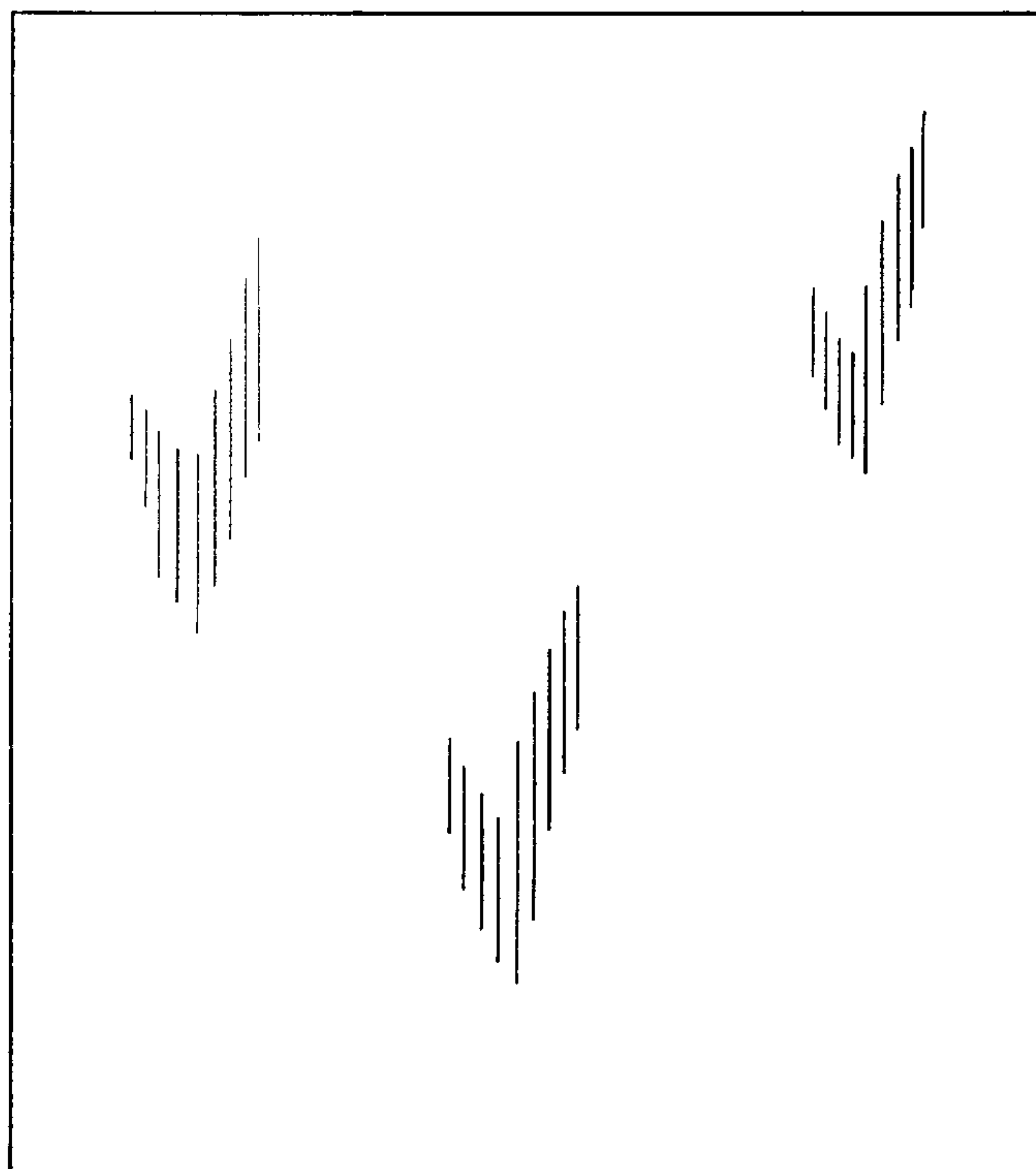


FIG. 6

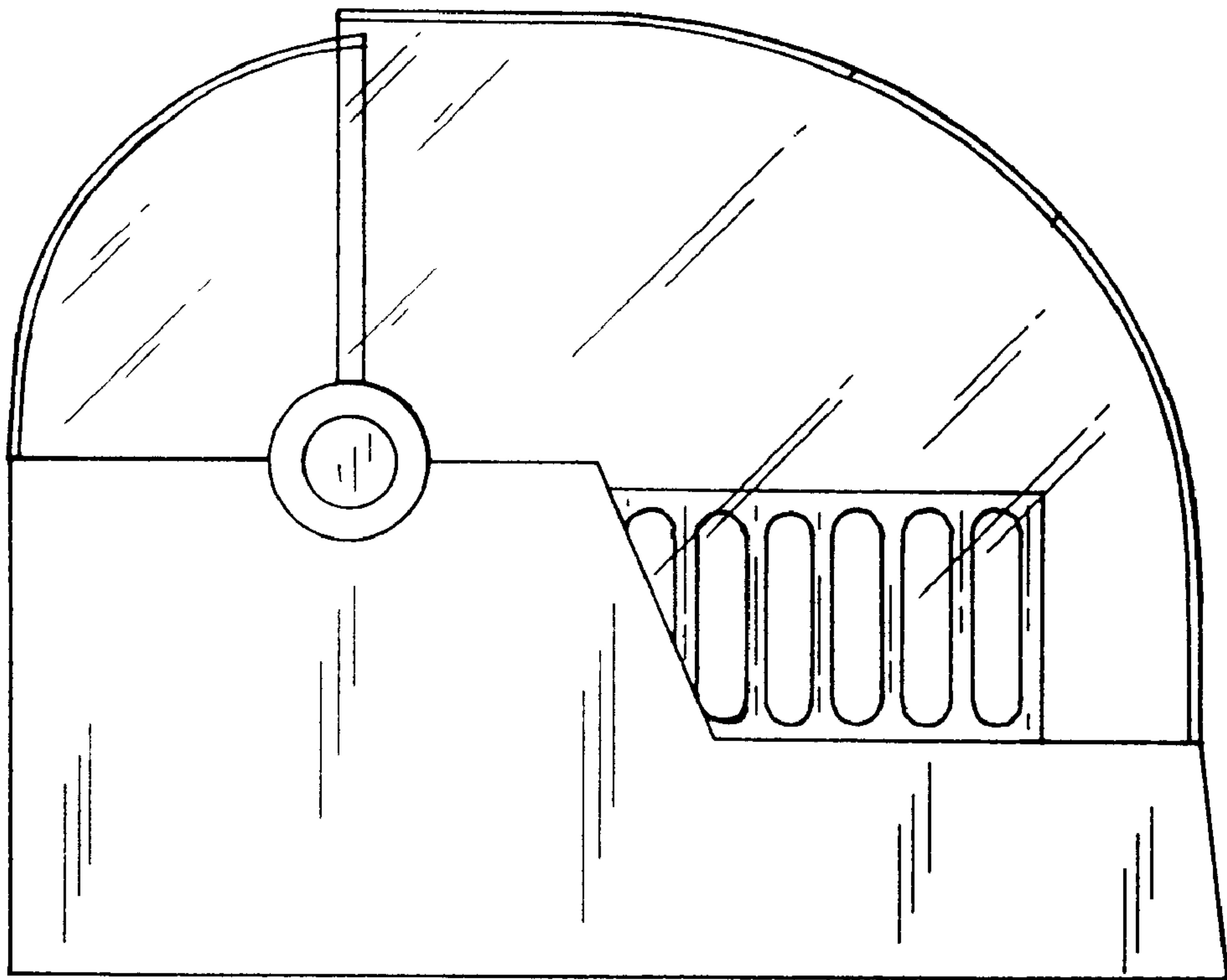


FIG. 7

