



US00D430369S

United States Patent [19]

Medema et al.

[11] Patent Number: Des. 430,369

[45] Date of Patent: ** Aug. 29, 2000

[54] HANDLE FOR AN UPRIGHT VACUUM CLEANER

[75] Inventors: Douglas J. Medema, Belding; Trent A. Eekhoff, Grand Rapids, both of Mich.

[73] Assignee: Bissell Homecare, Inc., Grand Rapids, Mich.

[**] Term: 14 Years

[21] Appl. No.: 29/099,954

[22] Filed: Feb. 1, 1999

[51] LOC (7) Cl. 15-05

[52] U.S. Cl. D32/34

[58] Field of Search D32/15-16, 19-22, D32/25, 31, 34; D15/9.1, 18; D8/8, 67-69; 15/320, 321, 331, 332, 334, 335, 377, 410, 49.1, 98, 50.1; 439/191; 285/7

[56] References Cited

U.S. PATENT DOCUMENTS

D. 231,076	4/1974	Carlsson .	
D. 238,849	2/1976	Jones .	
D. 256,769	9/1980	Irelan	D8/8
D. 277,325	1/1985	Hug .	
D. 294,988	3/1988	Goodrich .	
D. 347,500	5/1994	Abe et al.	D32/22
D. 364,014	11/1995	Langeland et al.	D32/34
D. 380,359	7/1997	Meisner et al.	D8/8
D. 384,783	10/1997	Strohmeyer et al. .	
D. 387,518	12/1997	Medema	D32/22
D. 398,098	9/1998	Mehaffey et al.	D32/22
D. 413,698	9/1999	Dyson	D32/22

1,267,329	5/1918	Merithew .	
1,530,575	3/1925	Pearl .	
3,667,084	6/1972	Valbona et al. .	
5,016,315	5/1991	Bledsoe et al. .	
5,983,444	11/1999	Jacobs et al.	15/329

Primary Examiner—Ruth McInroy
Attorney, Agent, or Firm—Rader, Fishman, Grauer & Mc Garry, an Office of Rader, Fishman & Grauer PLLC

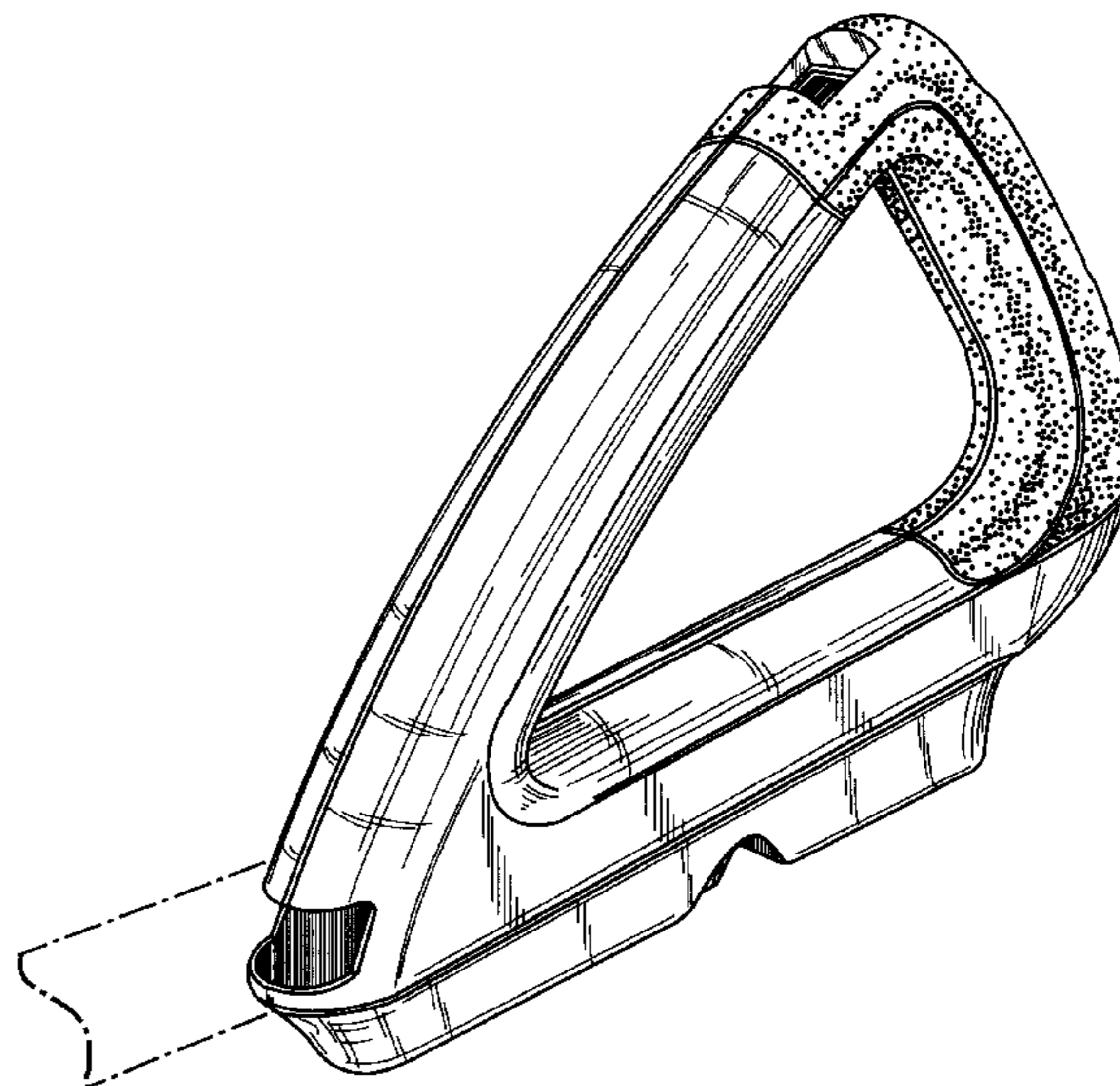
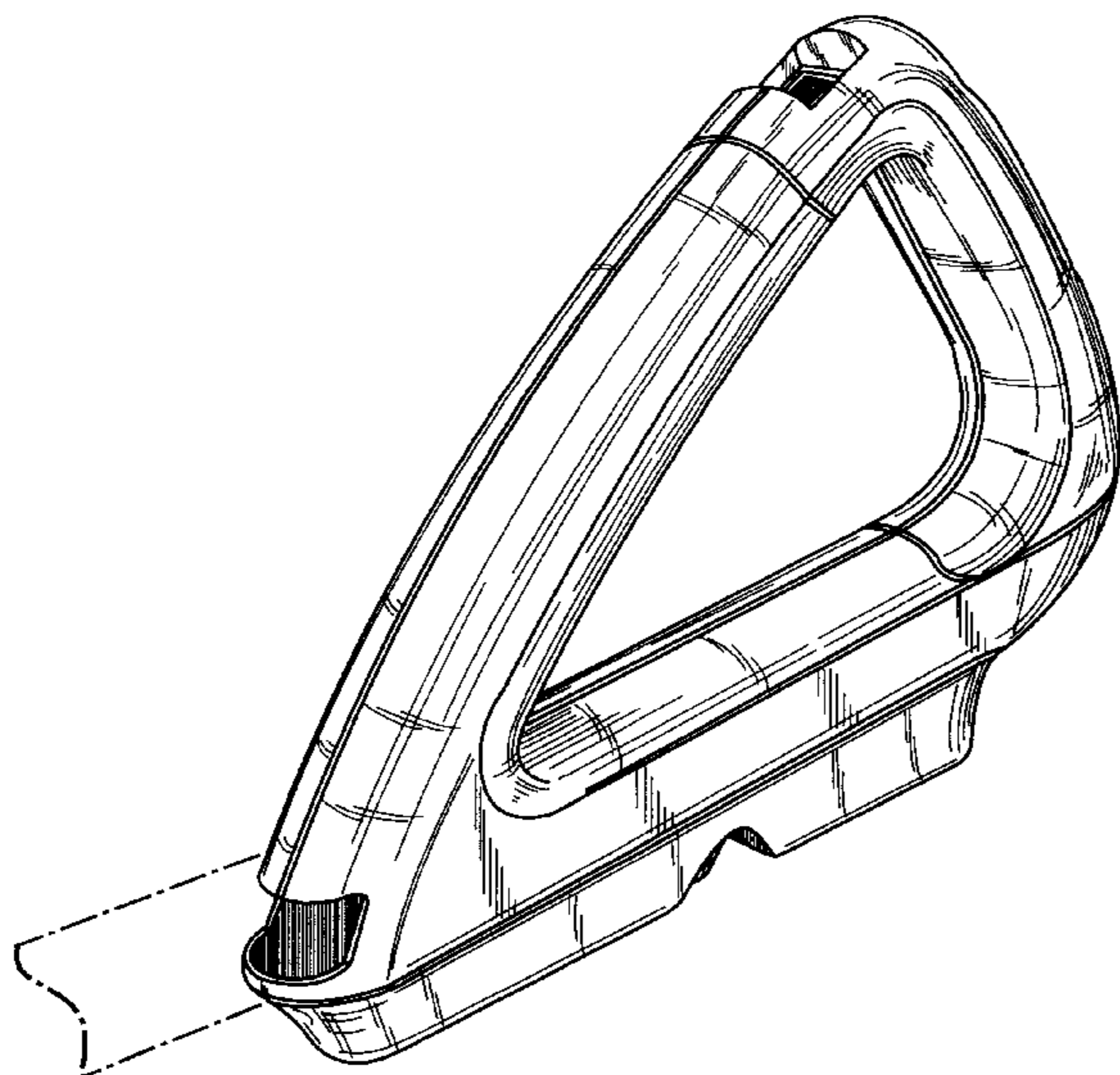
[57] CLAIM

We claim the ornamental design for a handle for an upright vacuum cleaner, as shown and described.

DESCRIPTION

FIG. 1 is a front perspective view of a handle for an upright vacuum cleaner showing our new design; FIG. 2 is a right side elevational view thereof, the left being a mirror image thereof; FIG. 3 is a front elevational view thereof; FIG. 4 is a rear elevational view thereof; FIG. 5 is a top plan view thereof; FIG. 6 is a bottom plan view thereof; FIG. 7 is a front perspective view of a second embodiment showing our new design; FIG. 8 is a right side elevational view thereof, the left being a mirror image thereof; FIG. 9 is a front elevational view thereof; FIG. 10 is a rear elevational view thereof; FIG. 11 is a top plan view thereof; and, FIG. 12 is a bottom plan view thereof. The handle shaft shown in broken lines in FIGS. 1, 2, 5, 6, 7, 8, 11, and 12 is for illustrative purposes only and forms no part of the claimed design.

1 Claim, 6 Drawing Sheets



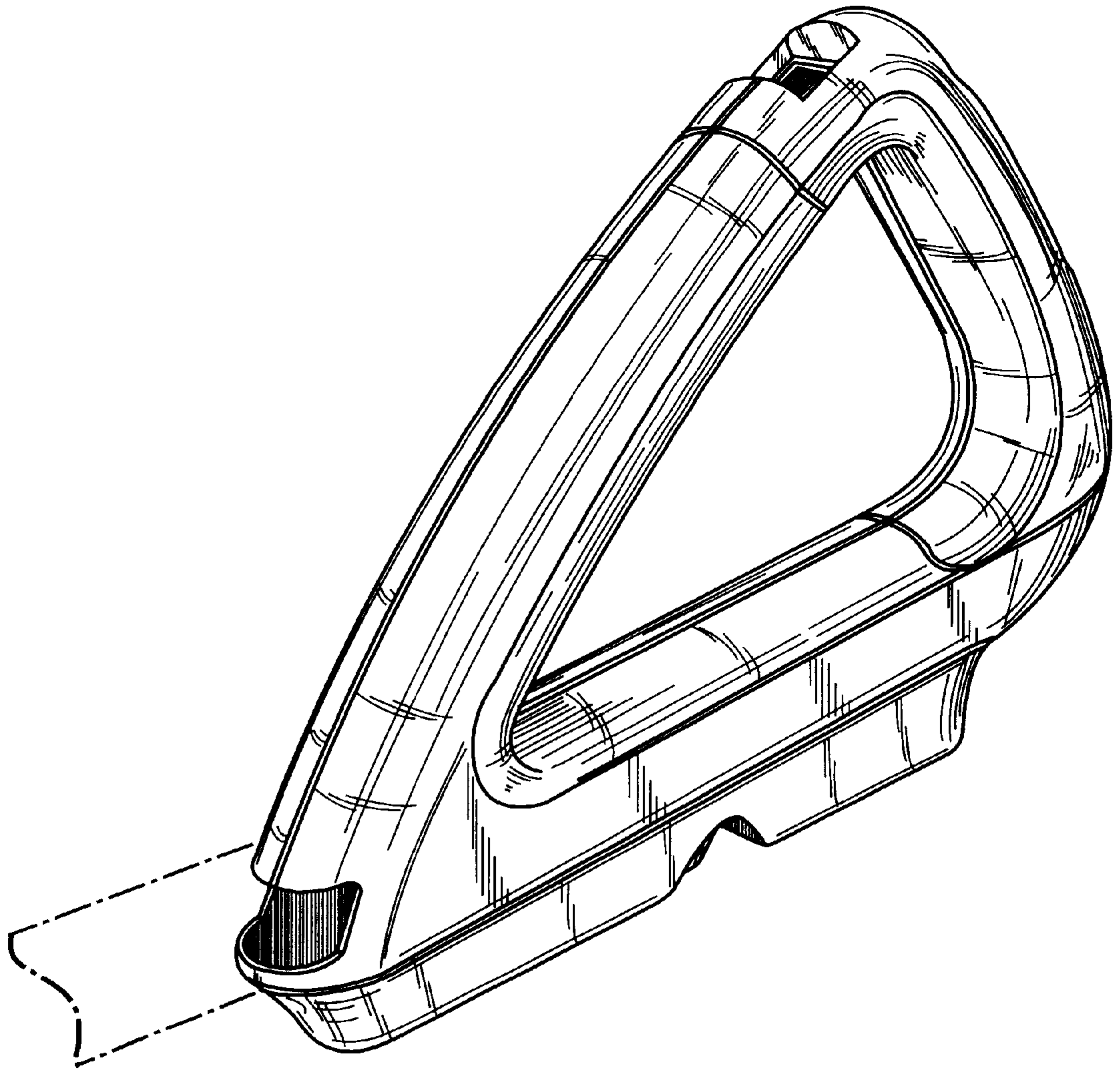


Fig. 1

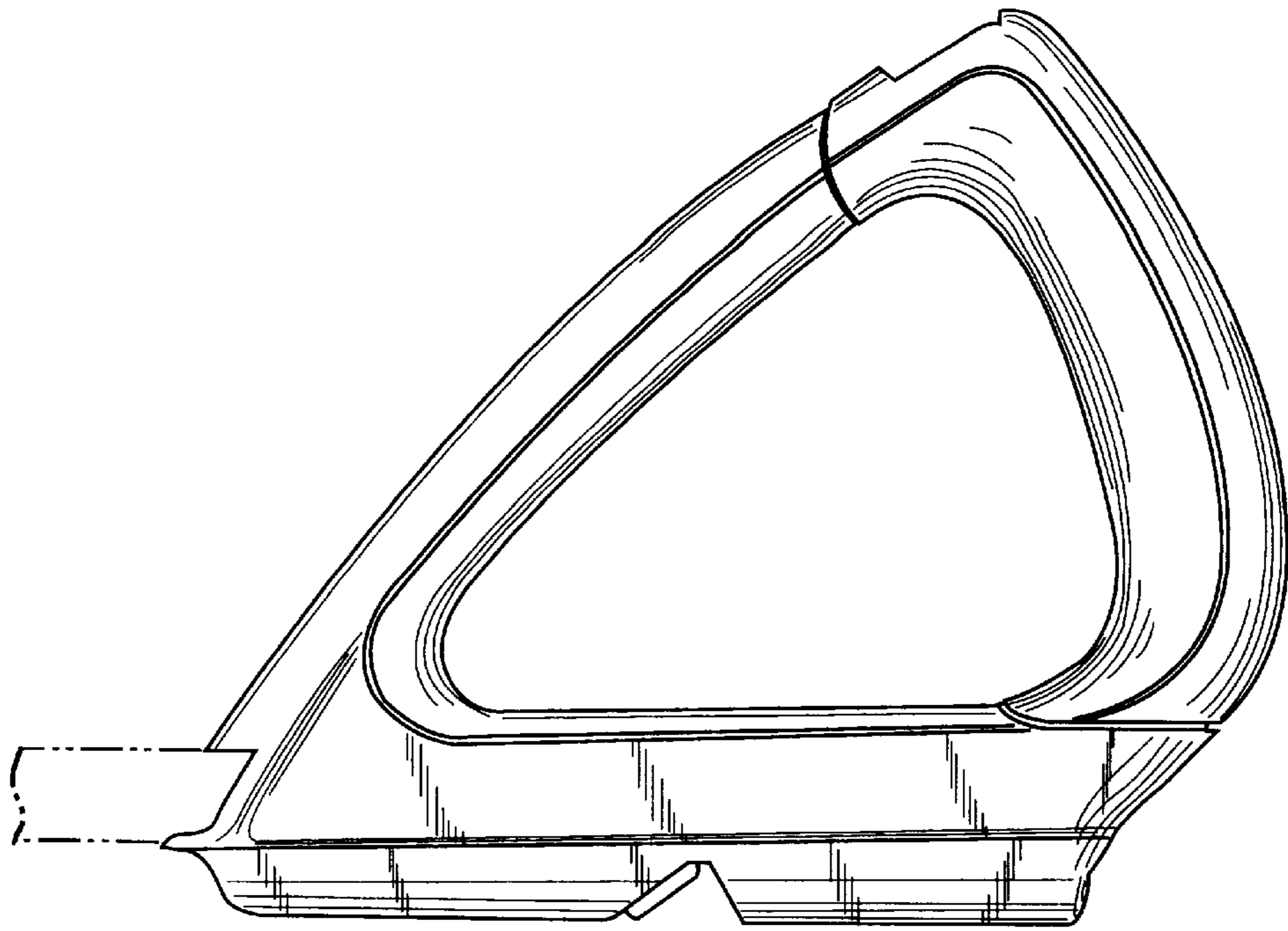


Fig. 2

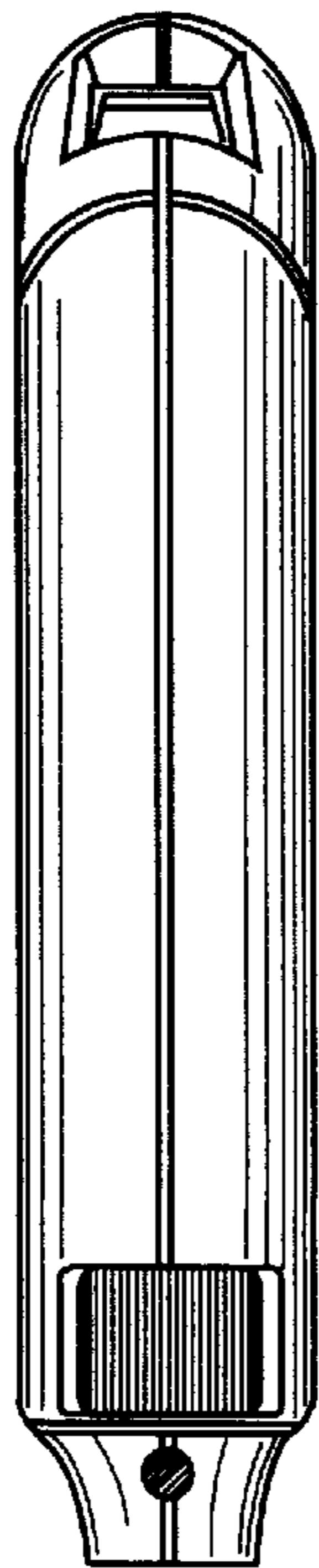


Fig. 3

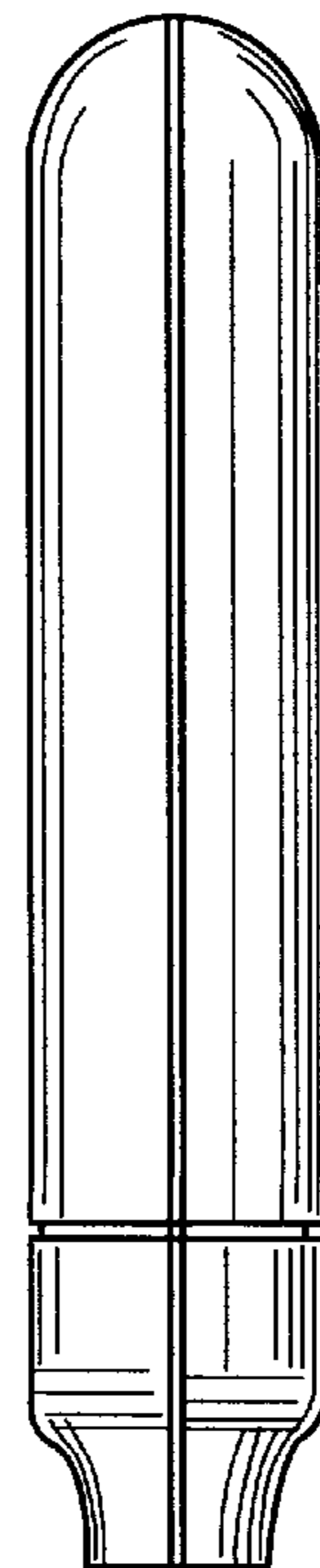


Fig. 4

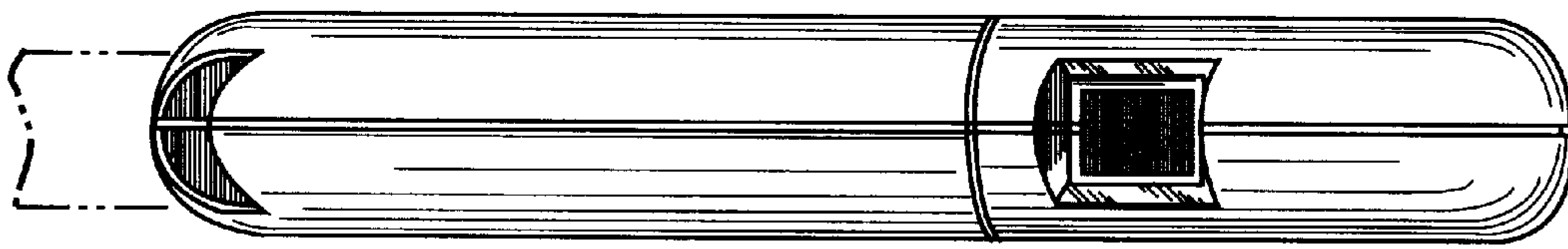


Fig. 5

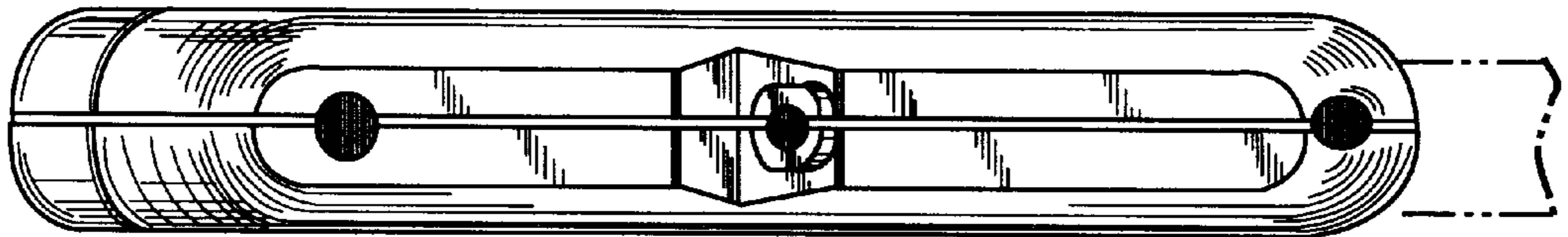


Fig. 6

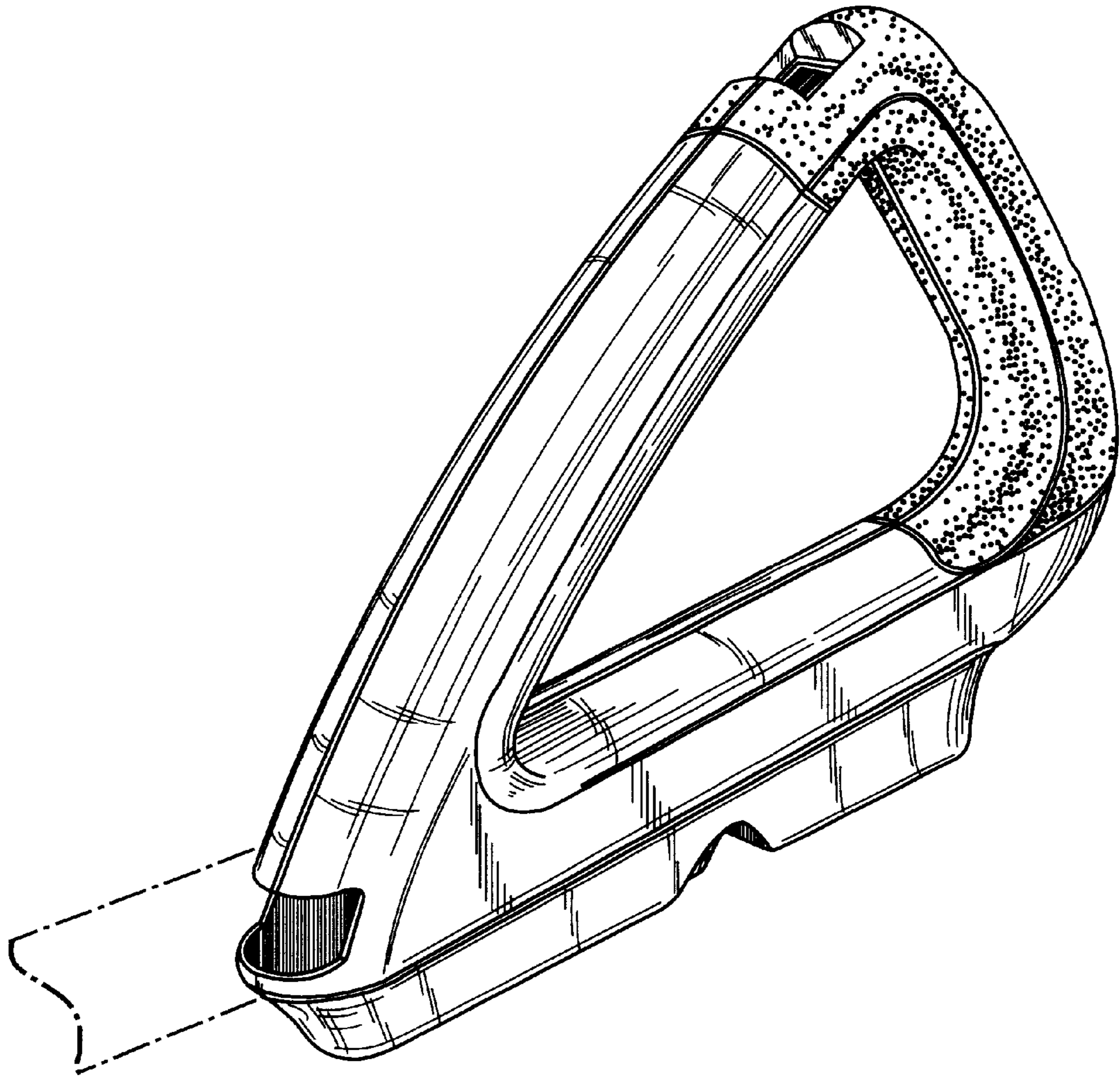


Fig. 7

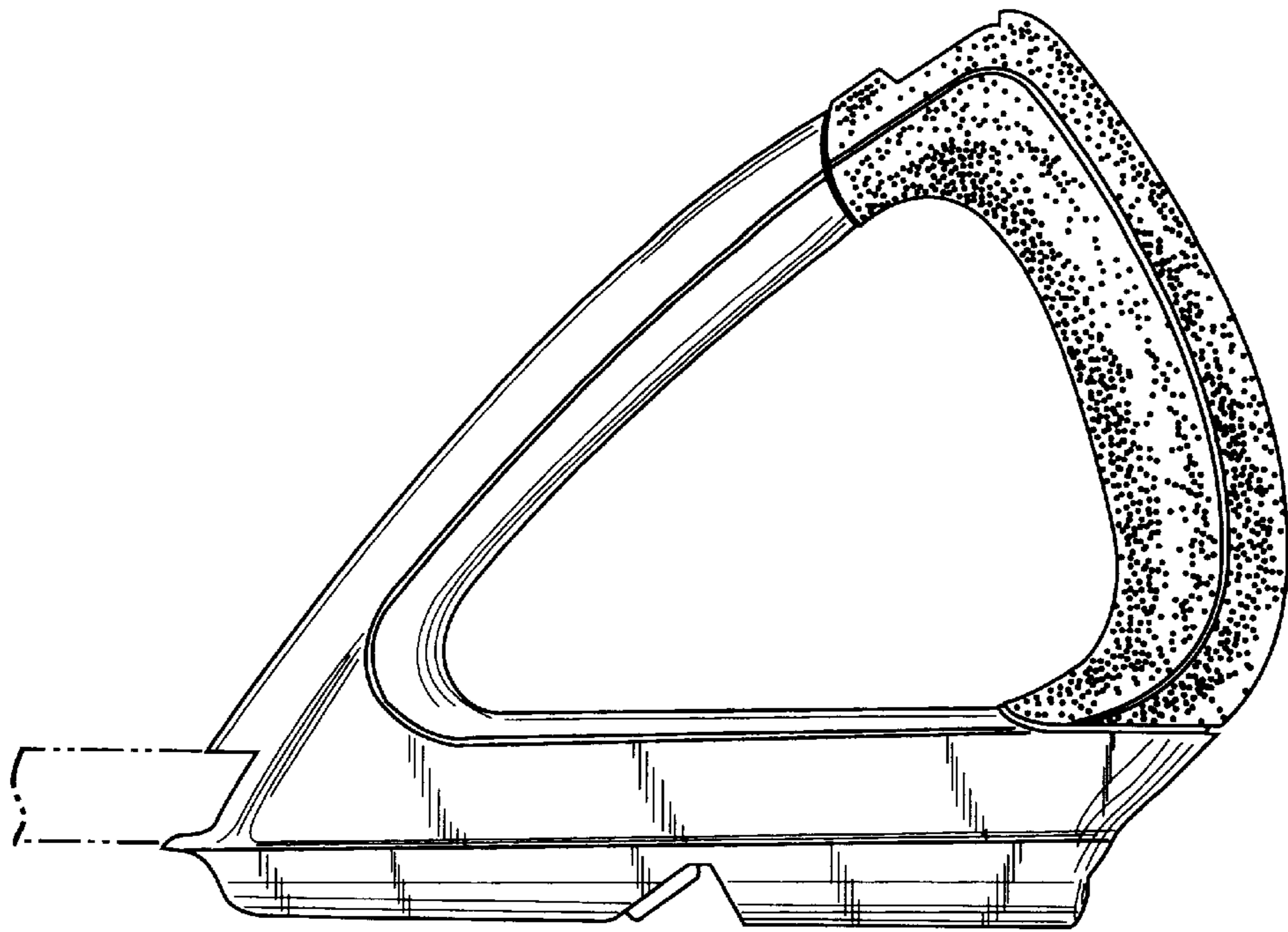


Fig. 8

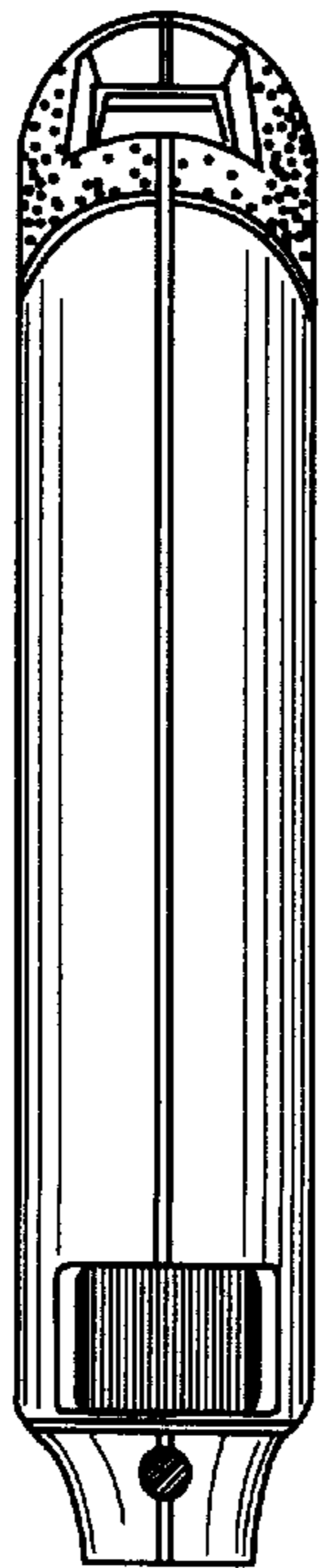


Fig. 9

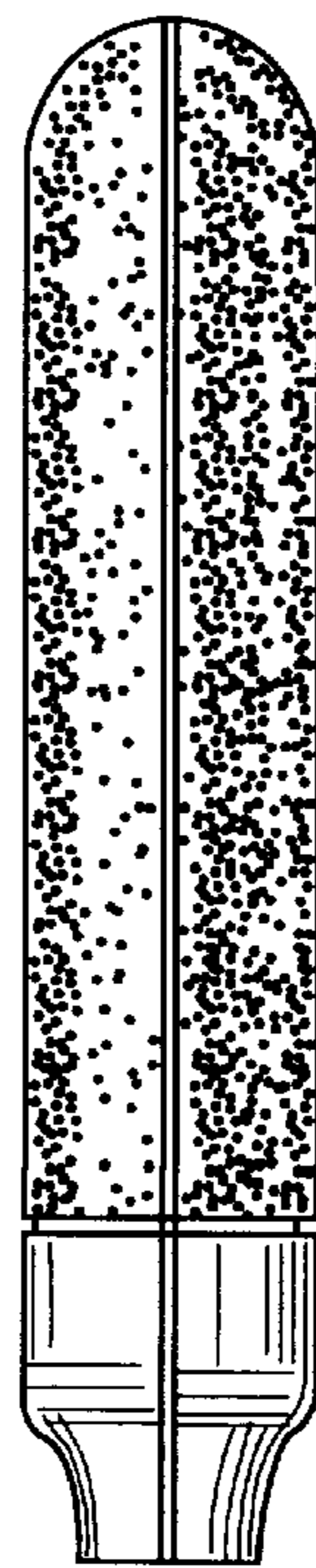


Fig. 10

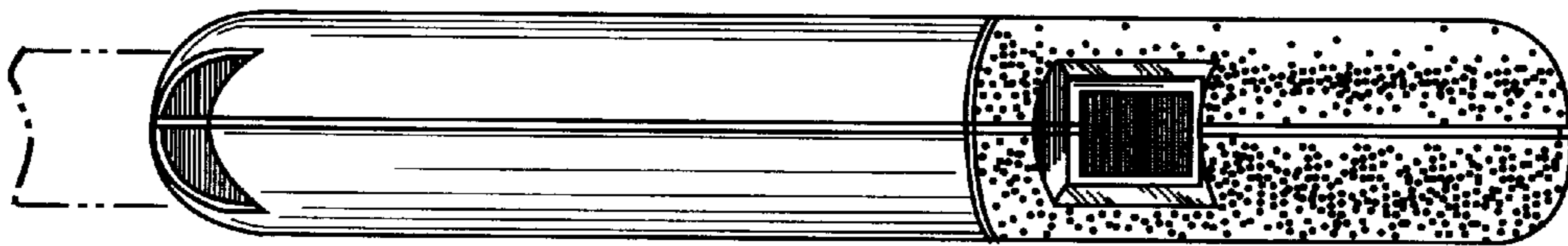


Fig. 11

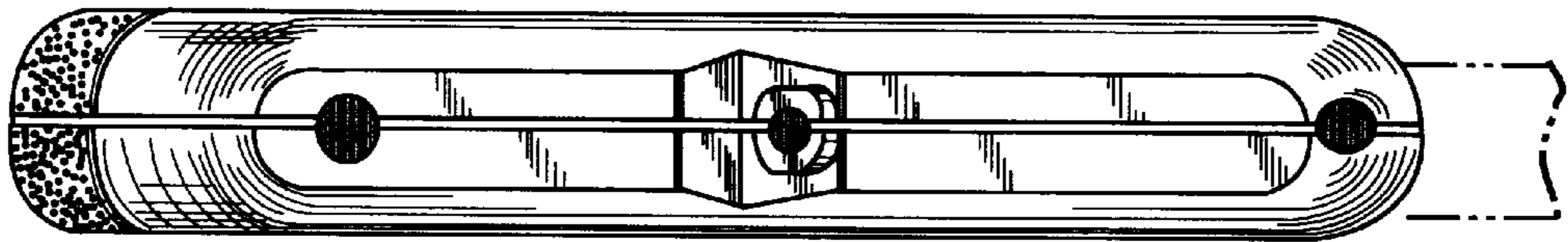


Fig. 12