



US00D430368S

United States Patent [19]

[11] Patent Number: Des. 430,368

Porat et al.

[45] Date of Patent: ** Aug. 29, 2000

[54] POOL CLEANER HOUSING WITH VERTICAL RIDGES

[75] Inventors: Joseph Porat, North Caldwell; Marco Goldish, Paramus; Robert Myers, North Haledon, all of N.J.

[73] Assignee: Aqua Products, Inc., Cedar Grove, N.J.

[**] Term: 14 Years

[21] Appl. No.: 29/107,065

[22] Filed: Jun. 24, 1999

[51] LOC (7) Cl. 15-05

[52] U.S. Cl. D32/25

[58] Field of Search D32/1, 15-22, D32/25, 28, 31-34; 15/1.7; 55/373, 374; 180/116, 119, 120, 125, 130; 210/169, 416.2, 460

[56] References Cited

U.S. PATENT DOCUMENTS

- D. 338,989 8/1993 Ambrosiano D32/15
- D. 401,023 11/1998 Sebor et al. D32/33
- D. 417,322 11/1999 Hollinger D32/1
- 5,842,243 12/1998 Horvath et al. 15/1.7

FOREIGN PATENT DOCUMENTS

- 97/49882 12/1997 WIPO 15/1.7

Primary Examiner—Louis S. Zarfes

Assistant Examiner—Robert A. Delehanty

Attorney, Agent, or Firm—Abelman, Frayne & Schwab

[57] CLAIM

The ornamental design for pool cleaner housing with vertical ridges, as shown and described.

DESCRIPTION

FIG. 1 is a top perspective view of one embodiment of the pool cleaner housing showing new design:

FIG. 2 is a top plan view shown on a greatly enlarged scale thereof;

FIG. 3 is a side elevation view shown on a greatly enlarged scale, it being understood that the opposite side is a mirror image thereof;

FIG. 4 is a front elevation view shown on a greatly enlarged scale, it being understood that the rear is a mirror image thereof;

FIG. 5 is a bottom plan view shown on a greatly enlarged scale thereof;

FIG. 6 is a perspective view similar to that of FIG. 1 showing the housing installed on a pool cleaner body;

FIG. 7 is a top perspective view of a second embodiment of the pool cleaner housing of my invention;

FIG. 8 is a top plan view of the cleaner of FIG. 7;

FIG. 9 is an side elevational view of the housing of FIG. 7 it being understood that the opposite side is a mirror image thereof;

FIG. 10 is a front elevational view of the cleaner of FIG. 7 it being understood that the rear side is a mirror image thereof;

FIG. 11 is a bottom plan view of the cleaner of FIG. 7;

FIG. 12 is a top perspective view of the cleaner of FIG. 7 shown in position on a pool cleaner body;

FIG. 13 is a top perspective view of a third embodiment of the pool cleaner housing of my invention;

FIG. 14 is a top plan view of the cleaner of FIG. 13;

FIG. 15 is a side elevational view of the housing of FIG. 13 it being understood that the opposite side is a mirror image thereof;

FIG. 16 is a front elevational view of the cleaner of FIG. 13 it being understood that the rear side is a mirror image thereof;

FIG. 17 is a bottom plan view of the cleaner of FIG. 13; and, FIG. 18 is a top perspective view of the cleaner of FIG. 13 shown mounted on a pool cleaner body.

The broken line showing of a pool cleaner body in FIGS. 6, 12 and 18 is for illustrative purposes only and forms no part of the claimed design.

1 Claim, 10 Drawing Sheets

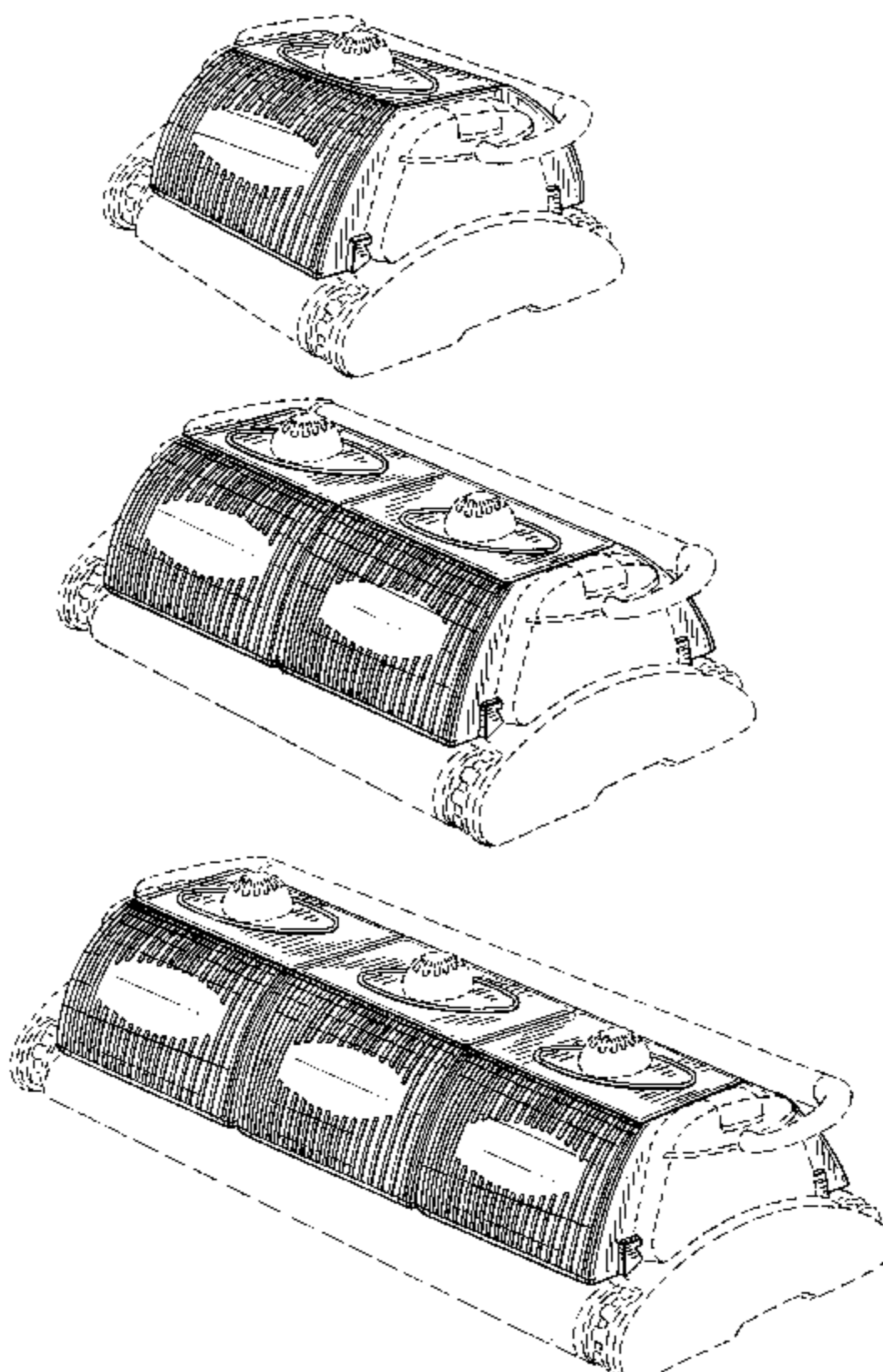


FIG. 1

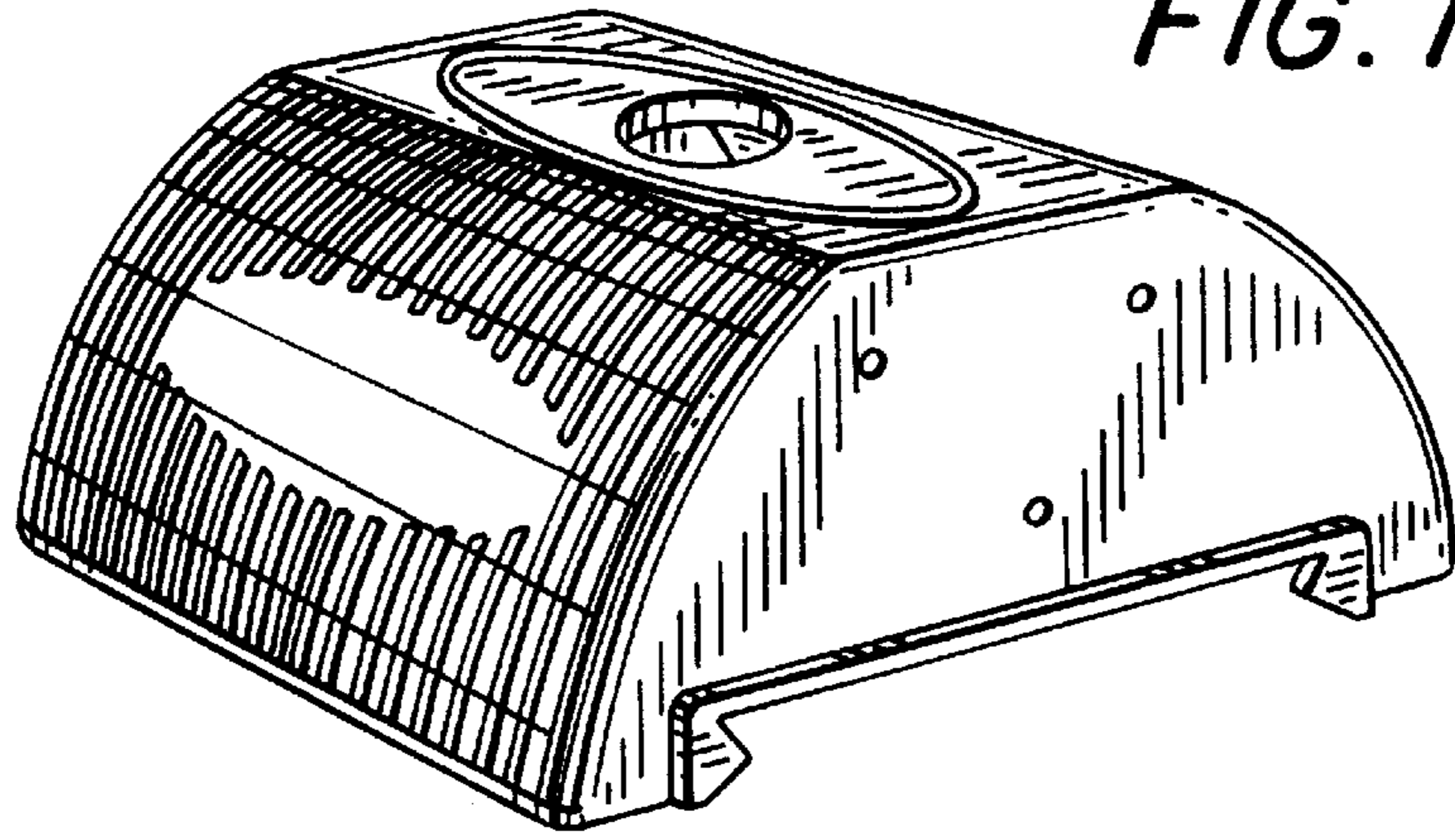
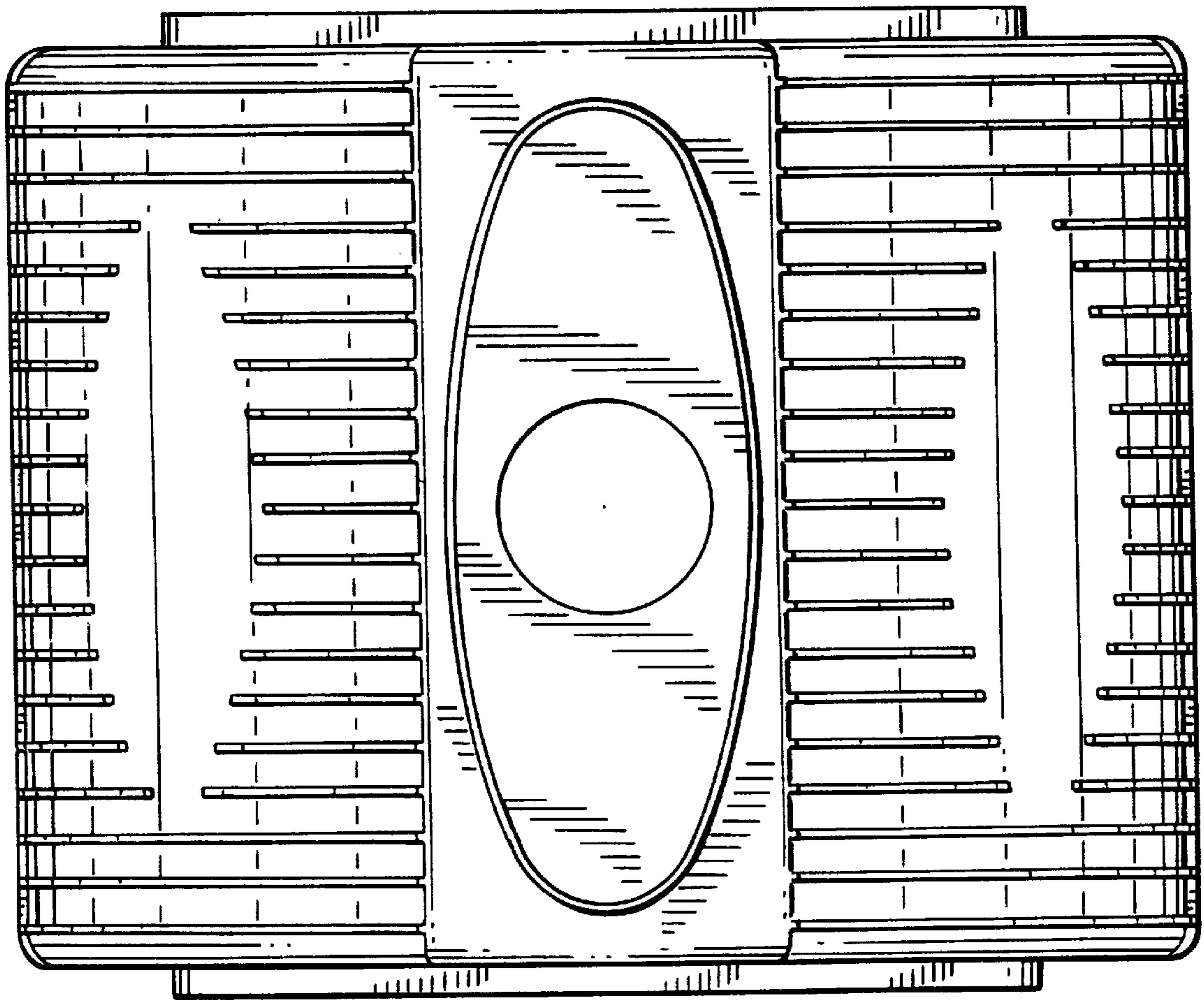


FIG. 2



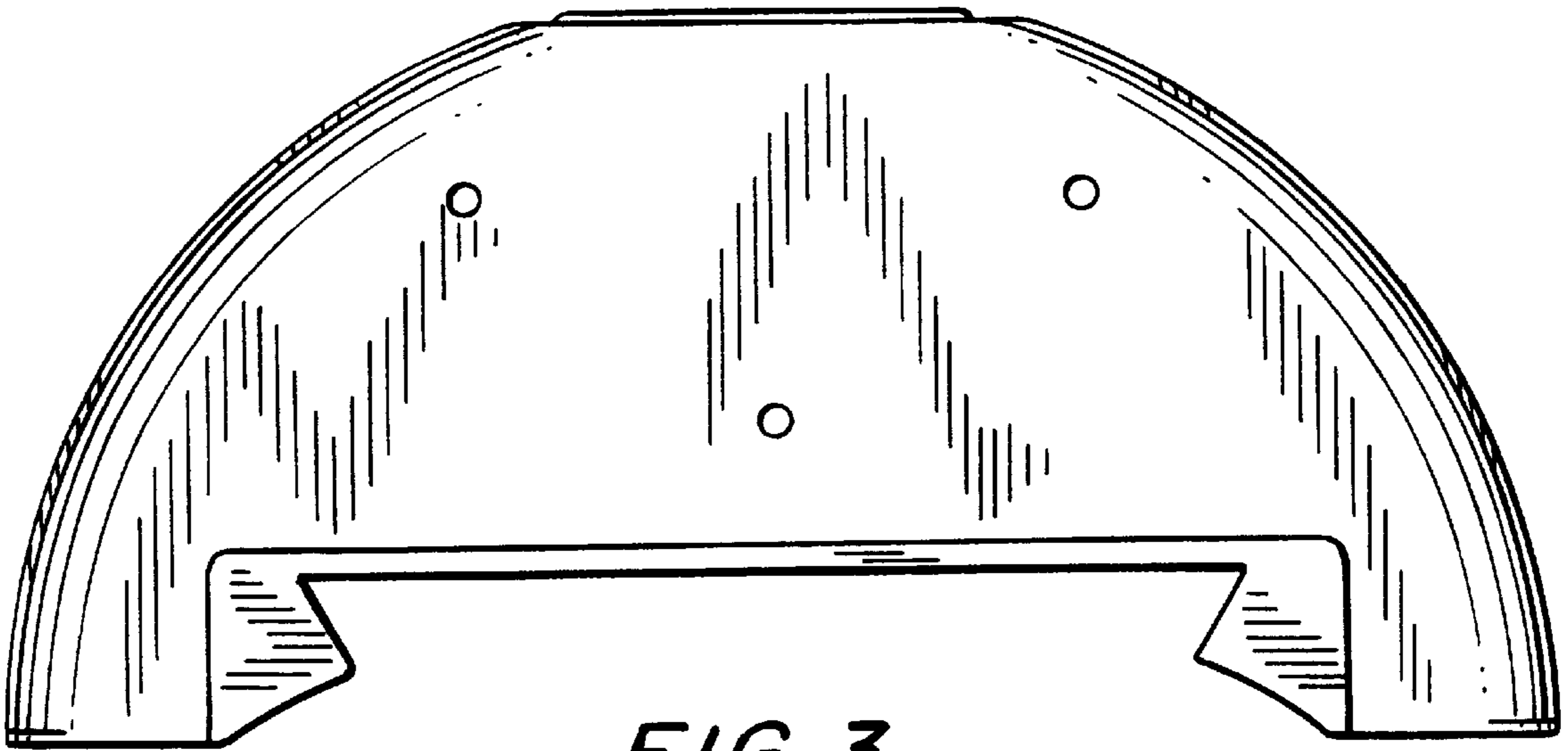


FIG. 3

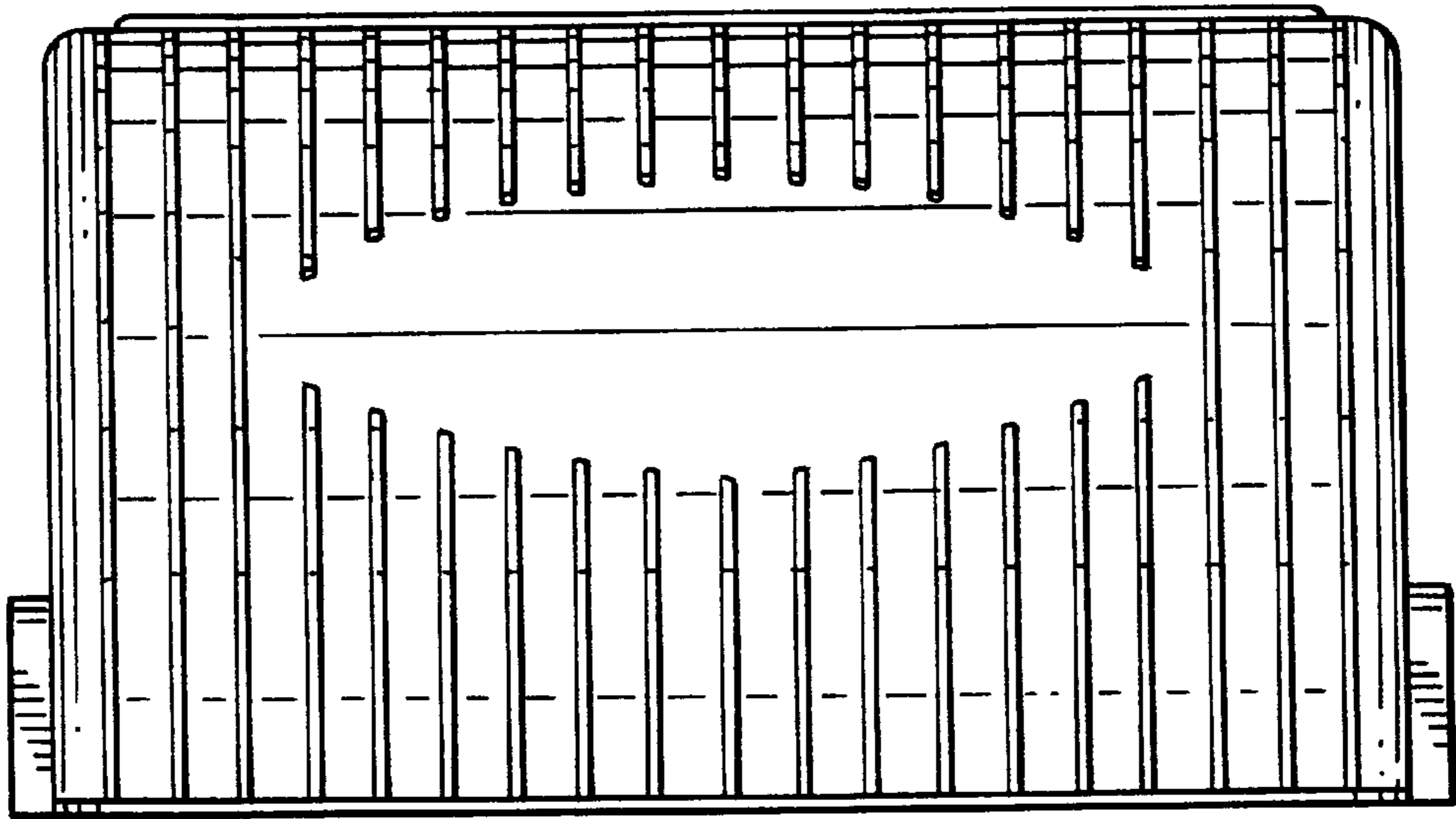


FIG. 4

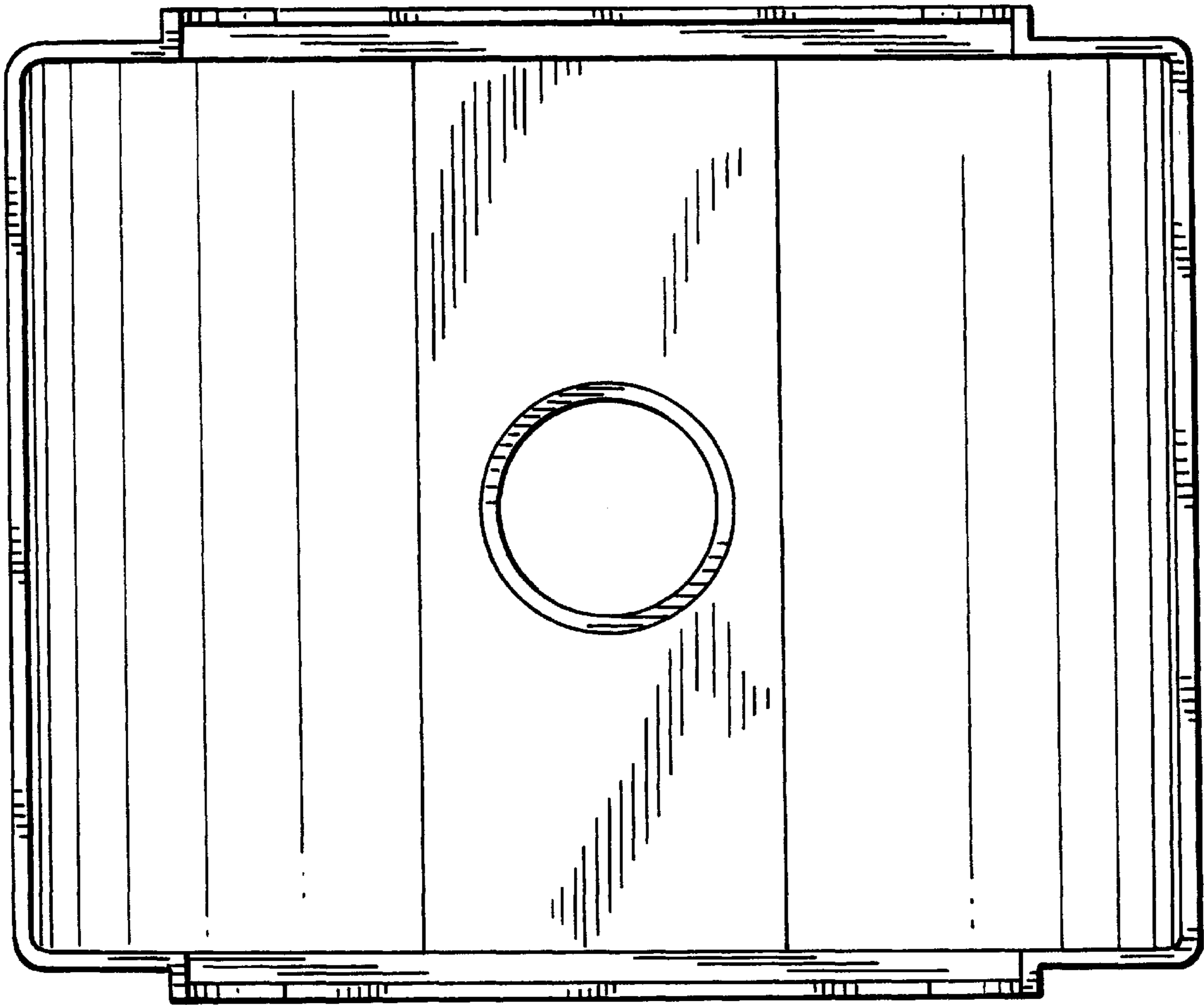


FIG. 5

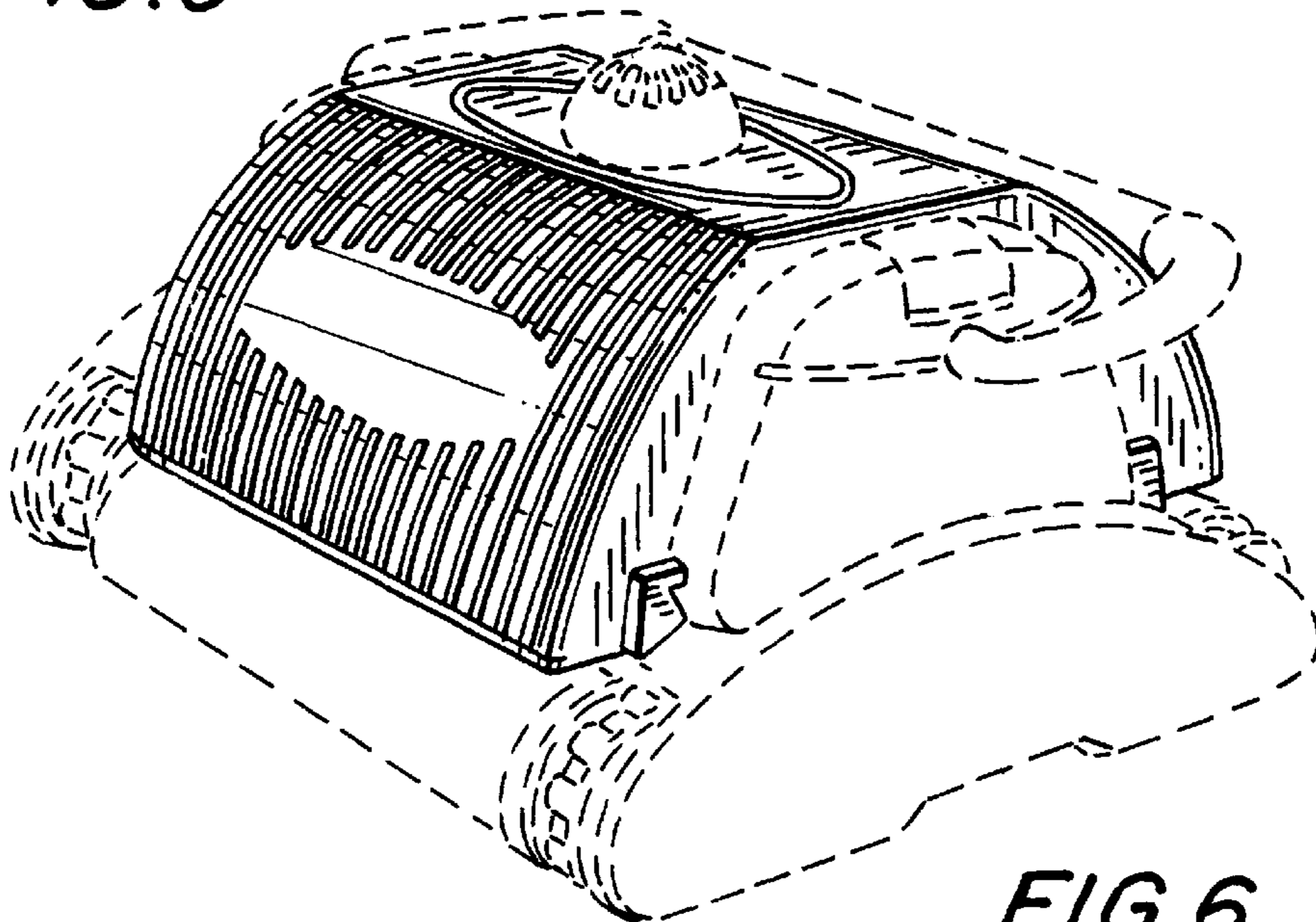


FIG. 6

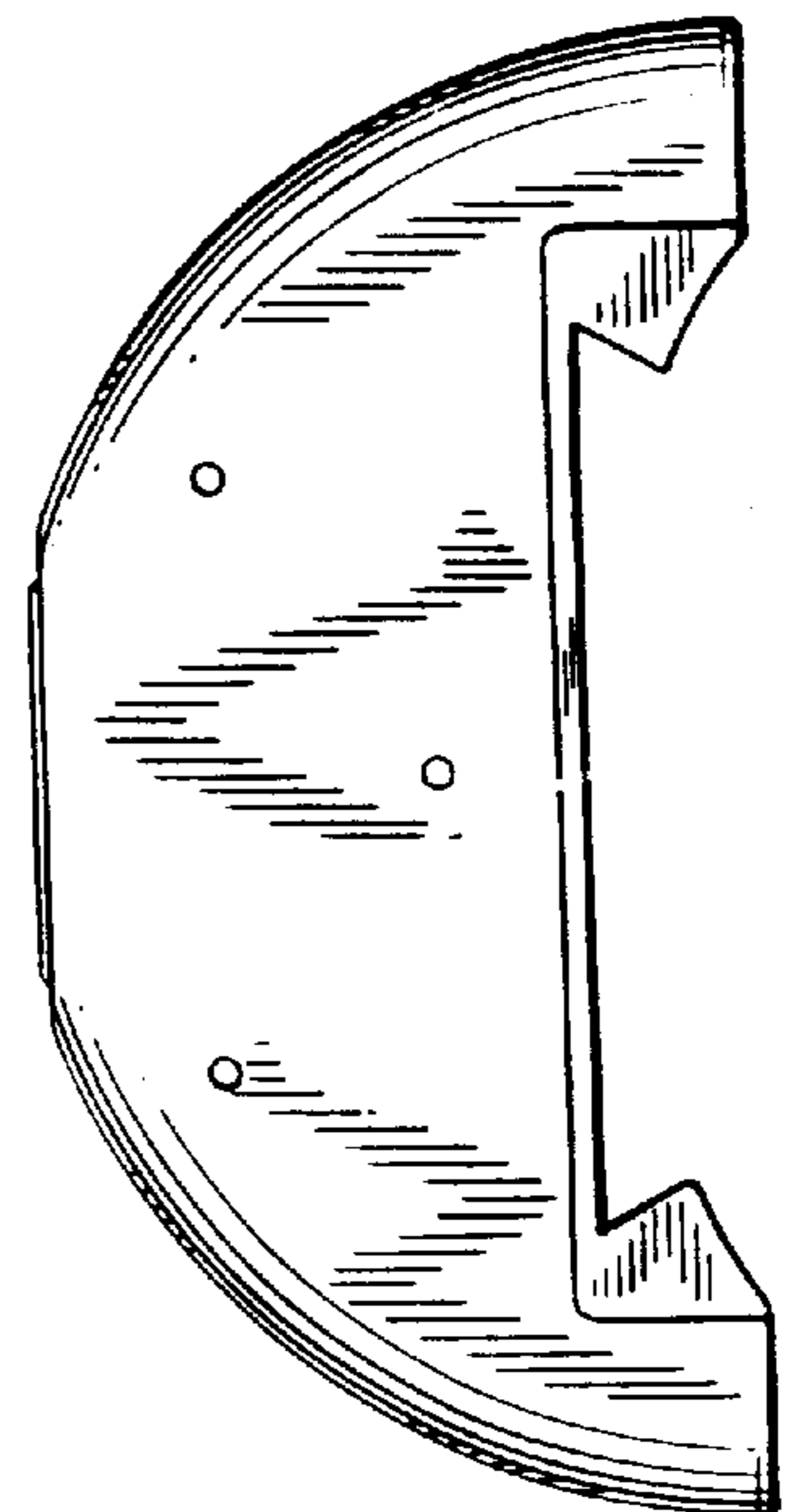
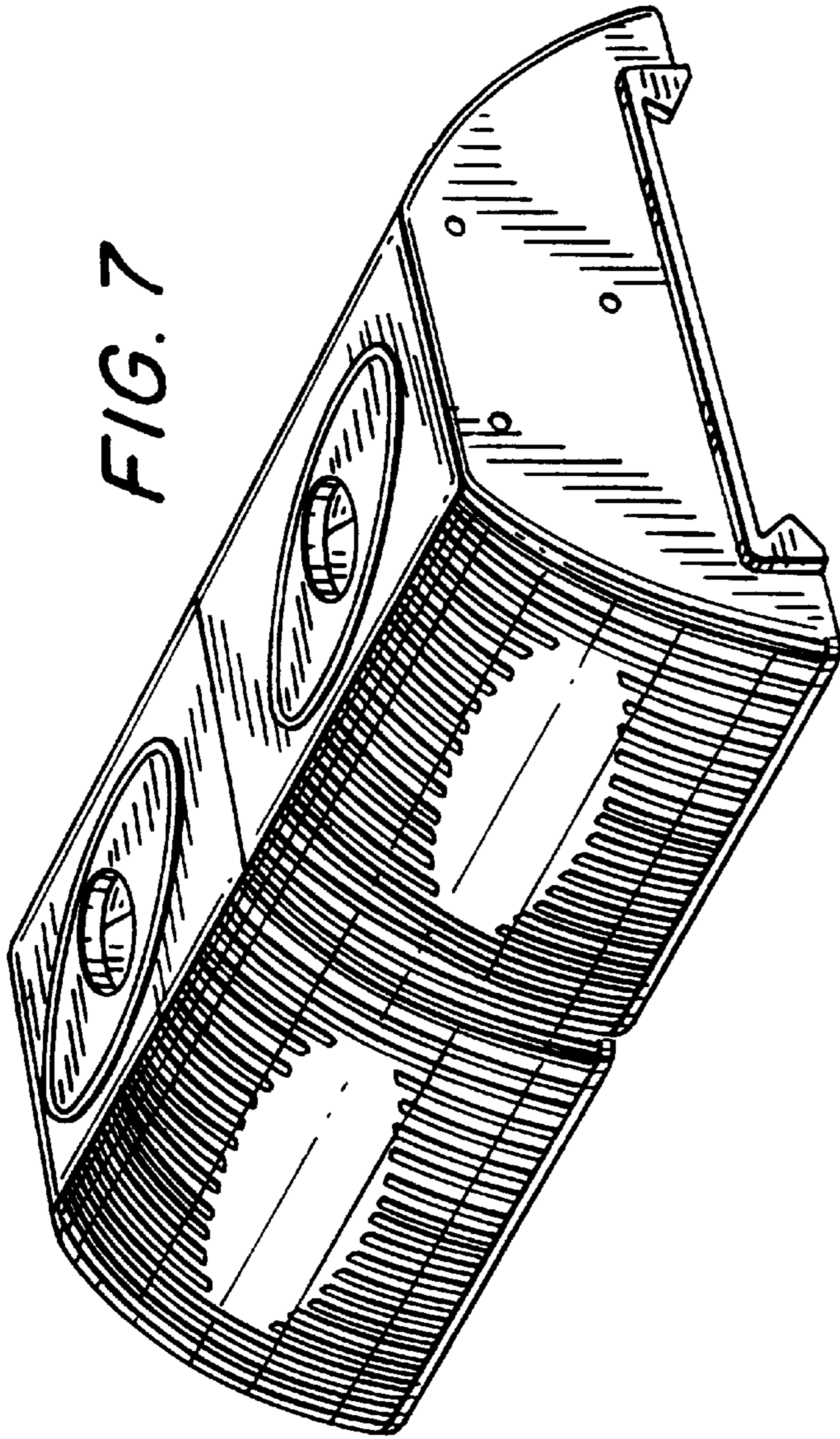


FIG. 11

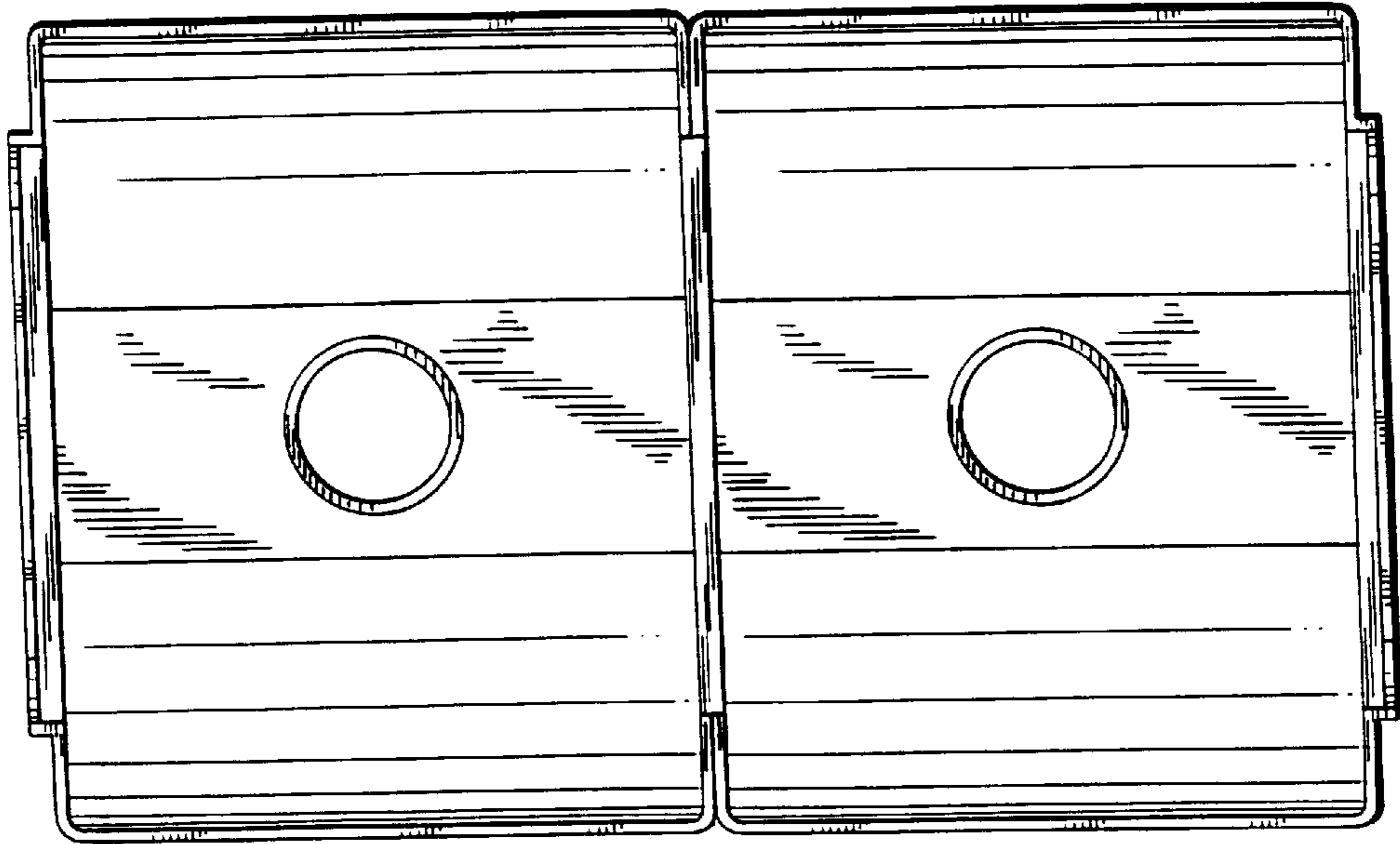
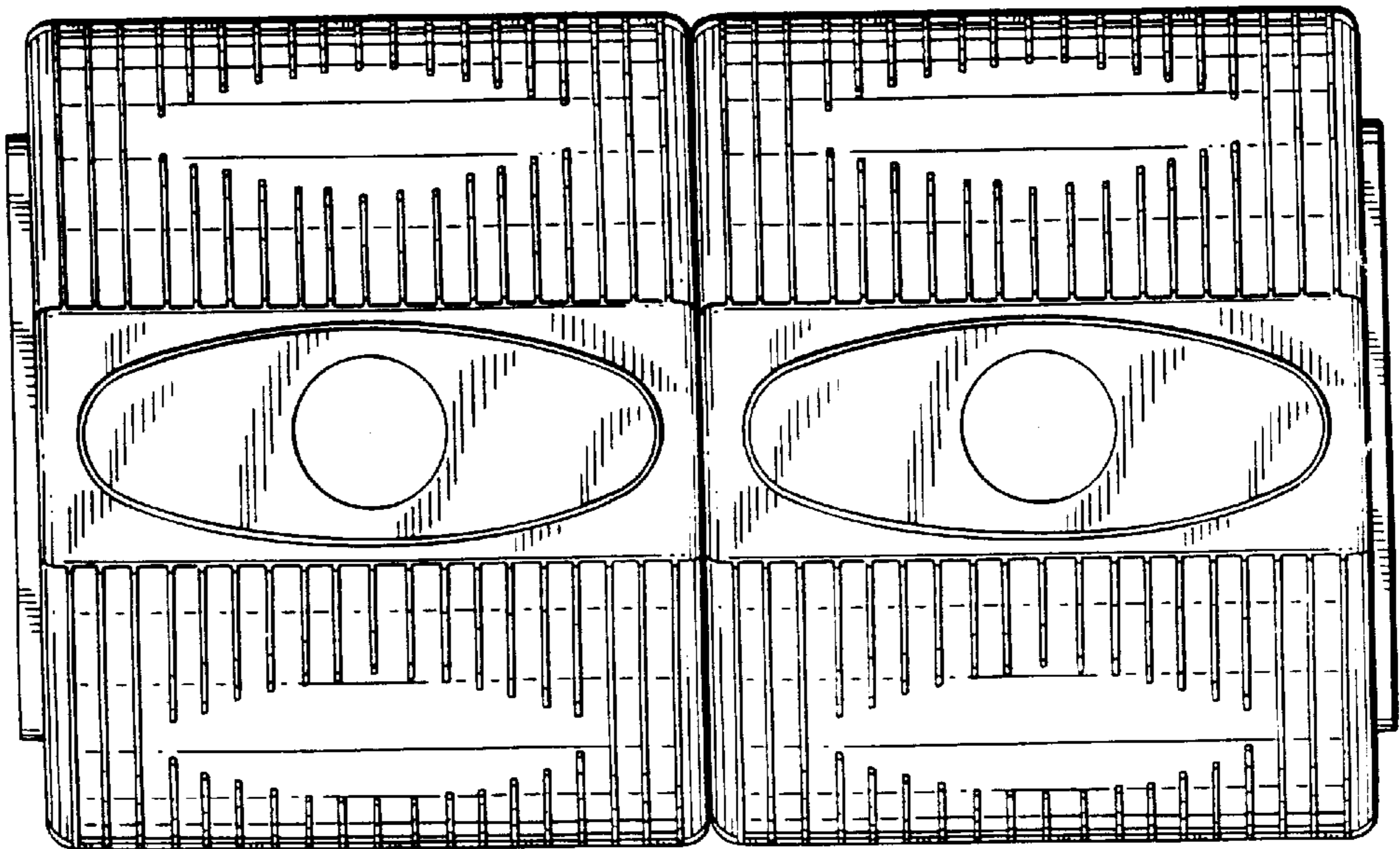


FIG. 8



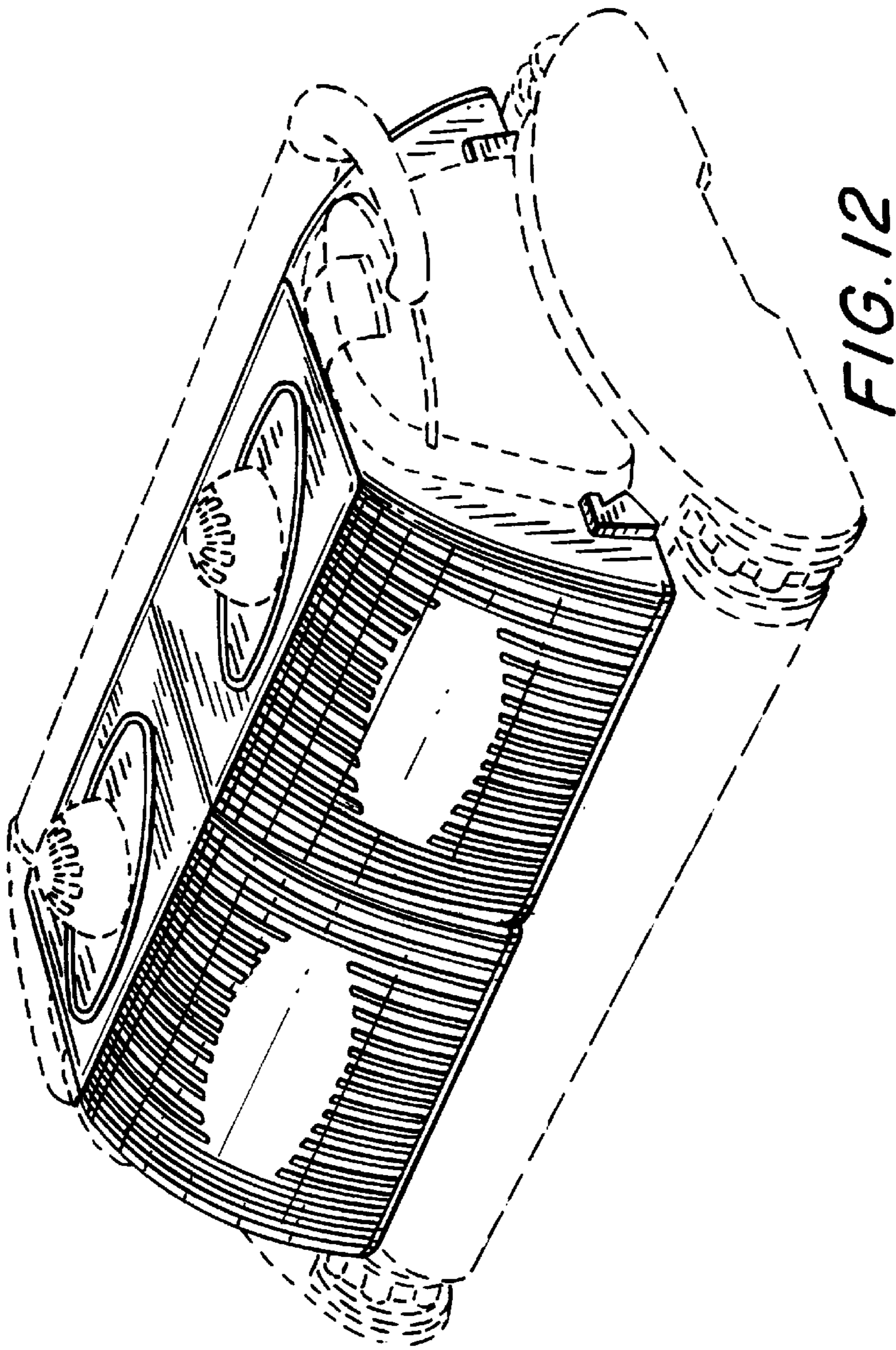


FIG. 12

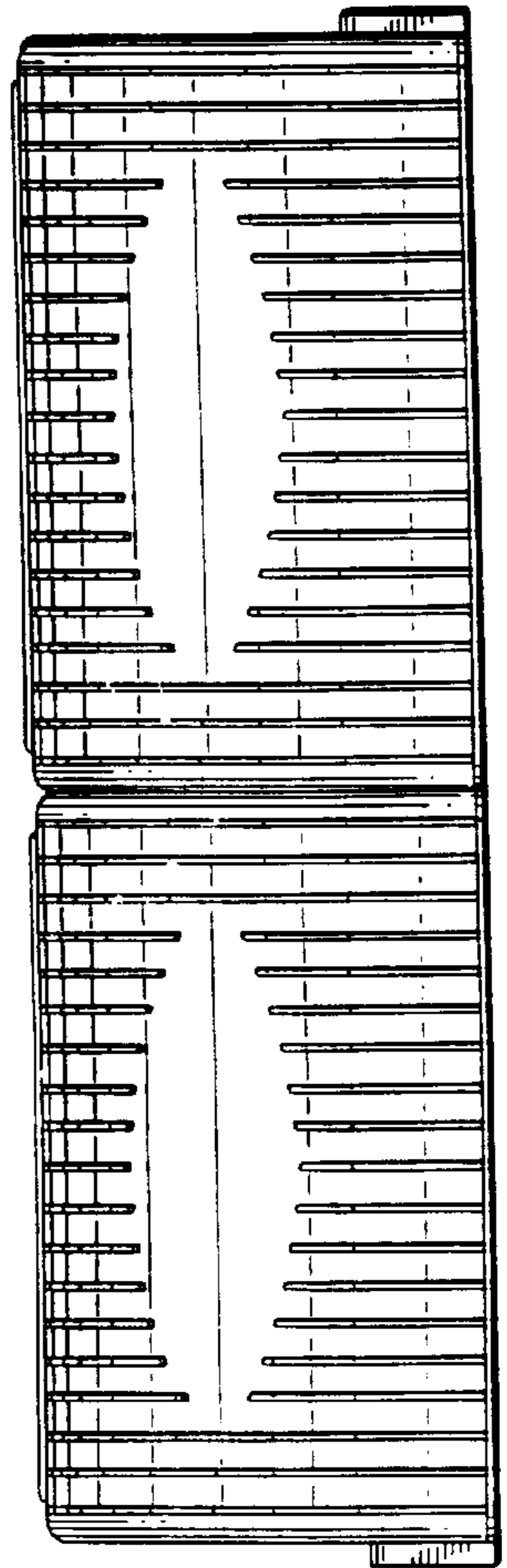


FIG. 10

FIG. 13

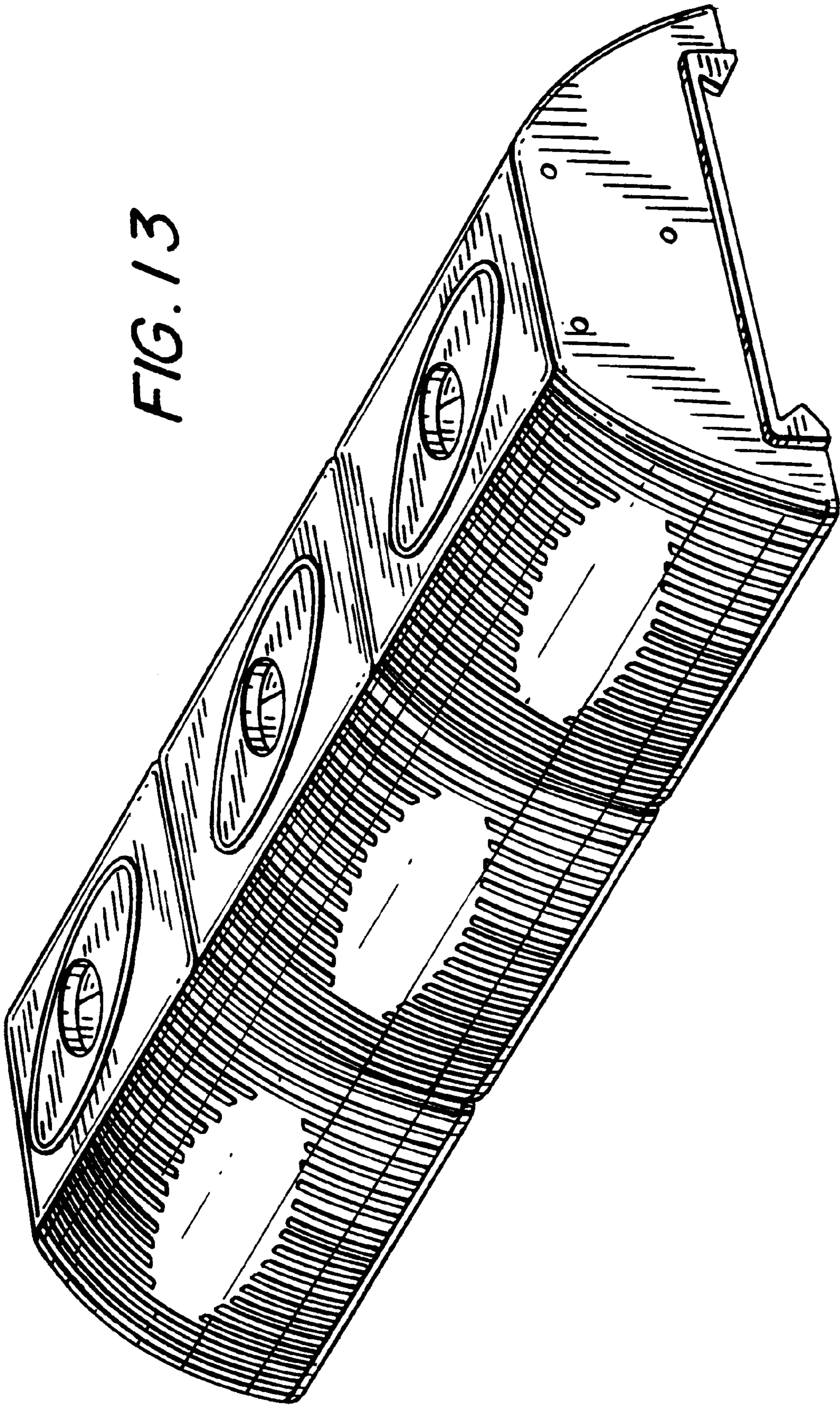


FIG. 14

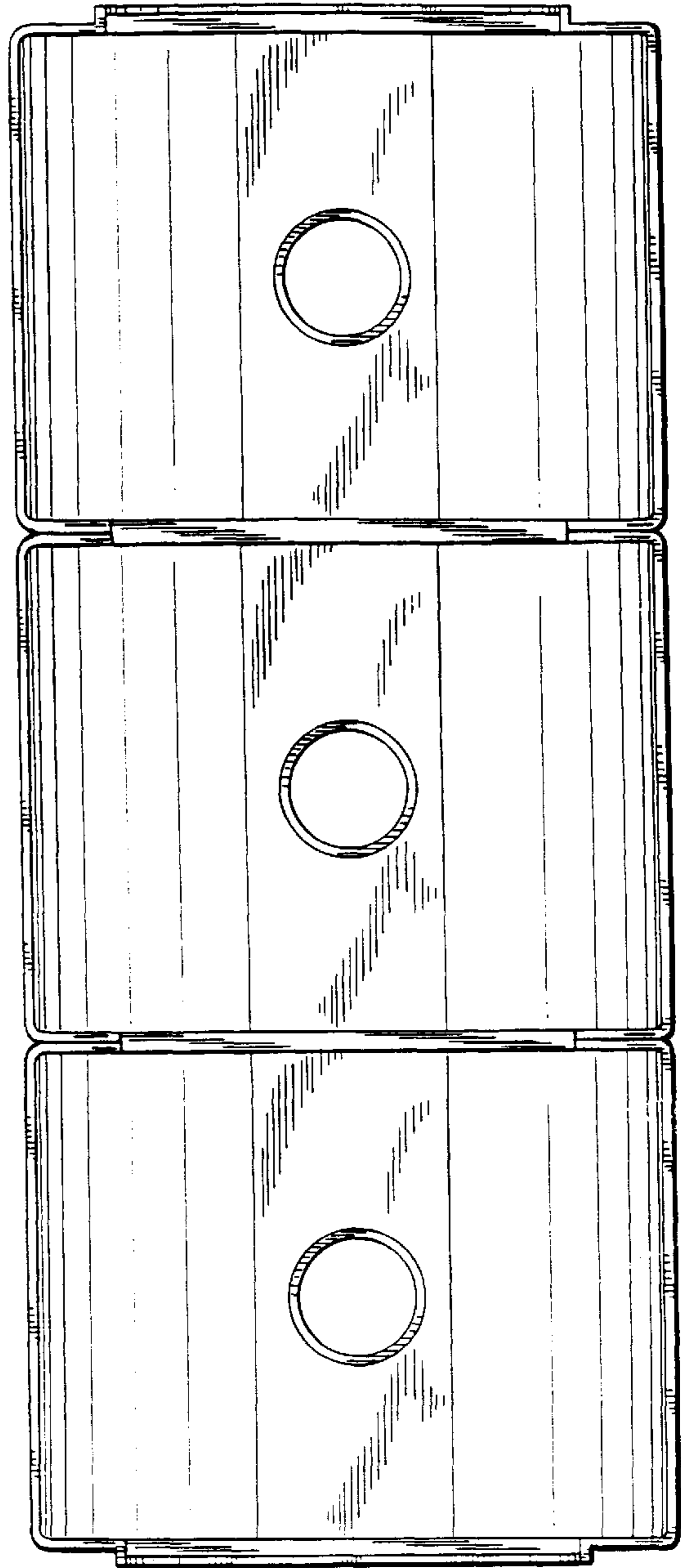
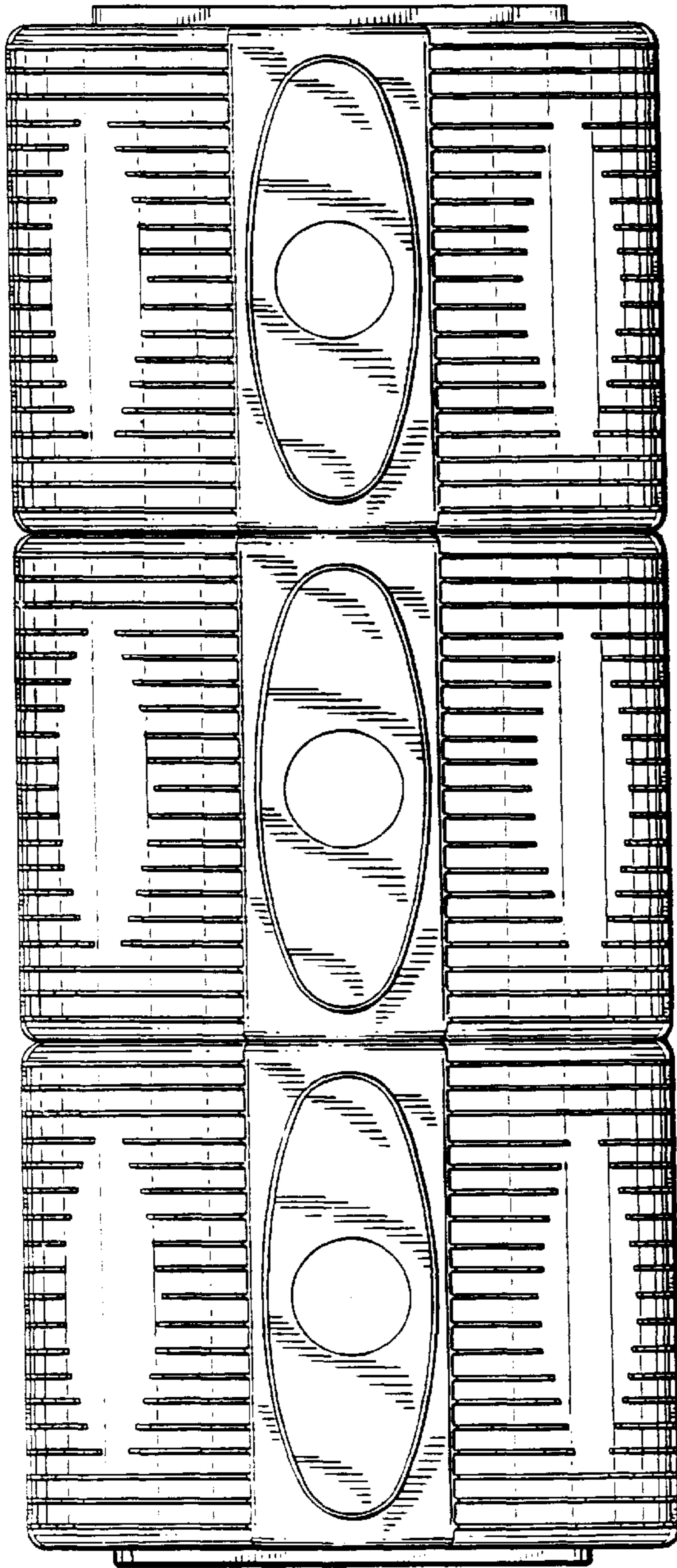


FIG. 17

FIG. 15

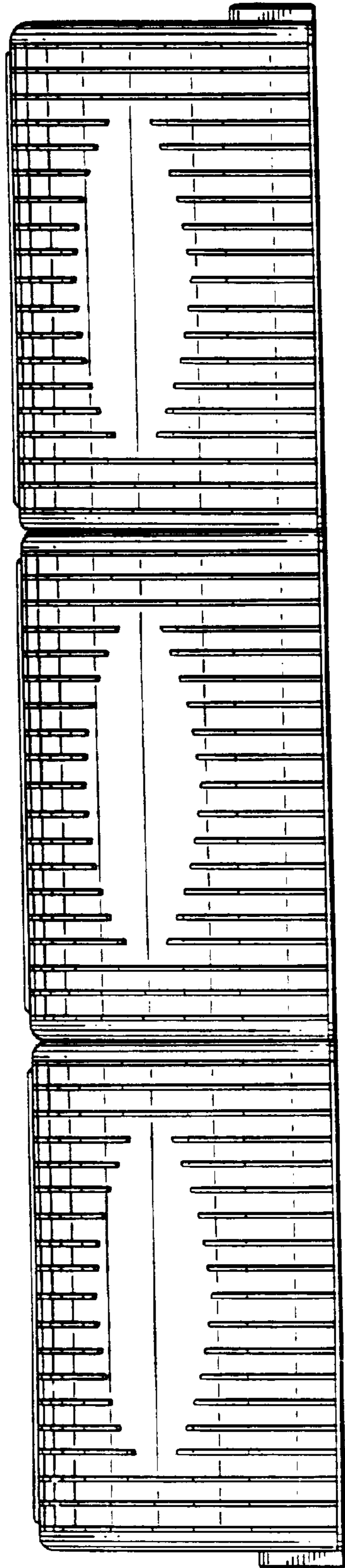
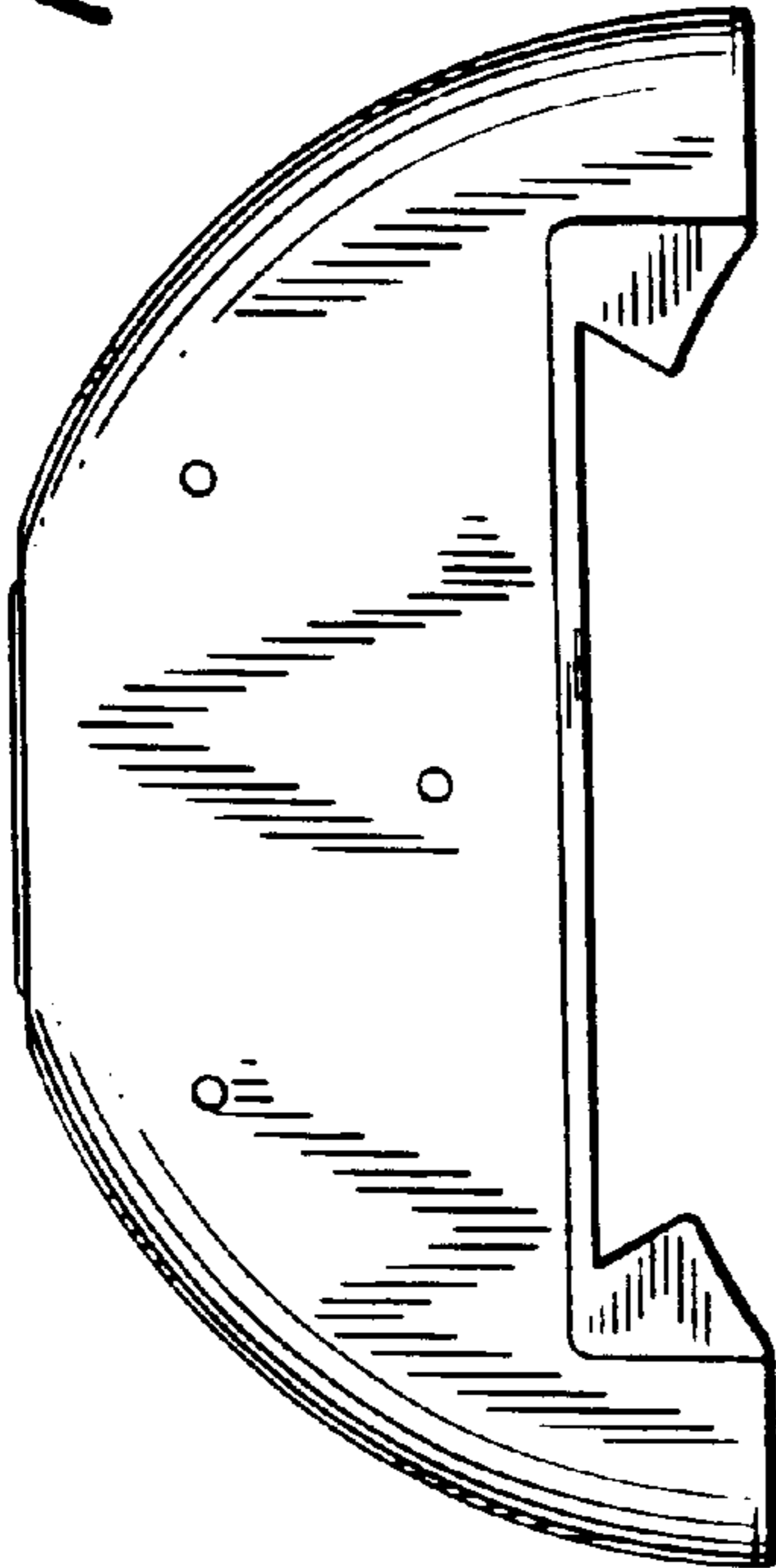


FIG. 16

FIG. 18

