



US00D430367S

# United States Patent [19] Griffin

[11] **Patent Number: Des. 430,367**

[45] **Date of Patent: \*\* Aug. 29, 2000**

[54] **VACUUM CLEANER**

[76] Inventor: **John Griffin**, 3737 E. Kent Dr.,  
Phoenix, Ariz. 85044

[\*\*] Term: **14 Years**

[21] Appl. No.: **29/097,503**

[22] Filed: **Dec. 8, 1998**

[51] **LOC (7) Cl. .... 15-05**

[52] **U.S. Cl. .... D32/23**

[58] **Field of Search** ..... D32/21, 23-25,  
D32/31; 15/327.1, 327.2, 327.4, 320-321,  
323, 352, 353, 347, 328

[56] **References Cited**

**U.S. PATENT DOCUMENTS**

D. 287,171	12/1986	Berfield et al. ....	32/25
D. 315,624	3/1991	Kimura et al. ....	D32/23
D. 357,336	4/1995	Moine et al. ....	D32/23
D. 357,773	4/1995	Wareham et al. ....	D32/23
D. 358,010	5/1995	Berfield et al. ....	32/23
D. 361,179	8/1995	Moine et al. ....	D32/23
D. 362,091	9/1995	Tomasiak et al. ....	D32/23
D. 372,567	8/1996	Moine et al. ....	D32/23
D. 373,862	9/1996	Stephens et al. ....	D32/23
D. 383,575	9/1997	Griffin .....	32/23
D. 384,448	9/1997	Stephens et al. ....	D32/23
D. 388,565	12/1997	Pietrobon .....	D32/23
D. 389,962	1/1998	Berfield et al. ....	32/23
D. 395,119	6/1998	Berfield .....	34/23
2,920,337	1/1960	Smith .....	15/323
5,144,716	9/1992	Watanabe et al. ....	15/323

**OTHER PUBLICATIONS**

Shop-Vac Brochure, QSP Series—Quiet Super Power Wet/  
Dry Vacs, Model Nos. 900-80 thru 900-84, dated Aug.  
1993.

Shop-Vac Brochure, 707 Series Super Performance Wet/  
Dry Vacs, Model No. 707-10, dated Mar. 1991.  
Shop-Vac Brochure, QSP Series—Quiet Super Power Wet/  
Dry Vacs, Models 900-86 and 900-87, dated Aug. 1993.  
Shop-Vac Brochure, QSP Series—Quiet Super Power Wet/  
Dry Vacs, Model No. 900-29, dated Aug. 1993.  
Shop-Vac Brochure, Series 914—Quiet Super Performance  
Wet/Dry Vacs, Model Nos. 914-15 and 914-27, dated Apr.  
1997.  
Shop-Vac Brochure, FLOORMASTER, Wet & Dry Clean-  
ing System, Model No. 909-50, dated Jan. 1989.  
Shop-Vac Brochure, The QSP Line of Wet/Dry Vacs from  
Shop Vac, dated 1994.  
Shop-Vac Brochure, ALL AROUND Vac, dated 1997.  
Shop-Vac Brochure, QSP PRO, dated 1998.  
Shop-Vac Brochure, QPV, dated 1997.  
Shop-Vac Brochure, 1X1 Wet/Dry Vac, dated 1997.  
Karcher Brochure, High Performance Wet and Dry Vacu-  
ums, Dust Extraction and Spray Extraction Machines.

*Primary Examiner*—Ruth McInroy  
*Attorney, Agent, or Firm*—Marshall, O’Toole, Gerstein,  
Murray & Borun

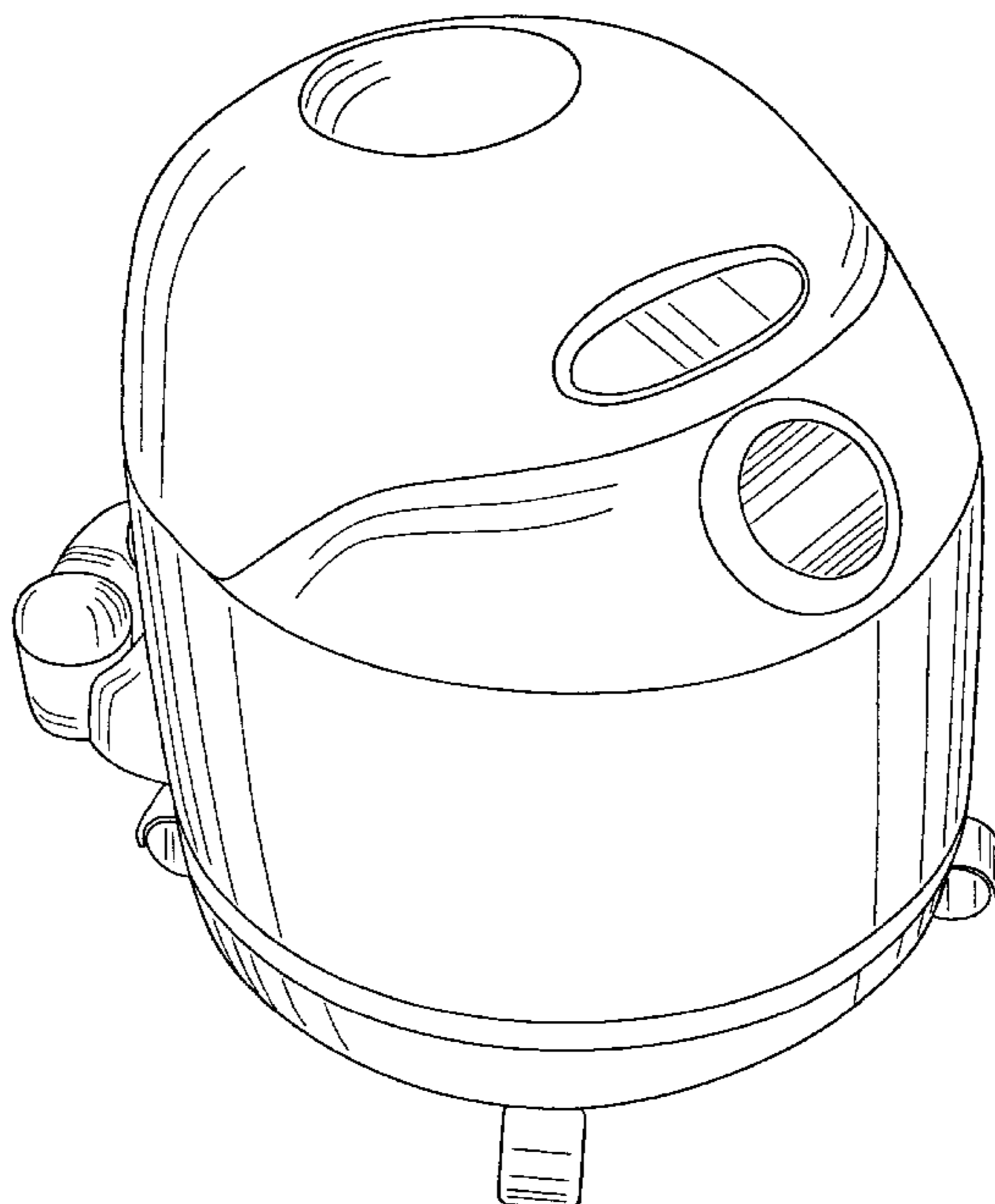
[57] **CLAIM**

The ornamental design for a vacuum cleaner, as shown and  
described.

**DESCRIPTION**

FIG. 1 is a perspective view of a vacuum cleaner showing  
my new design;  
FIG. 2 is a front elevational view thereof;  
FIG. 3 is a back elevational view thereof;  
FIG. 4 is a left elevational view thereof;  
FIG. 5 is a right elevational view thereof;  
FIG. 6 is a top plan view thereof; and,  
FIG. 7 is a bottom view thereof.

**1 Claim, 7 Drawing Sheets**



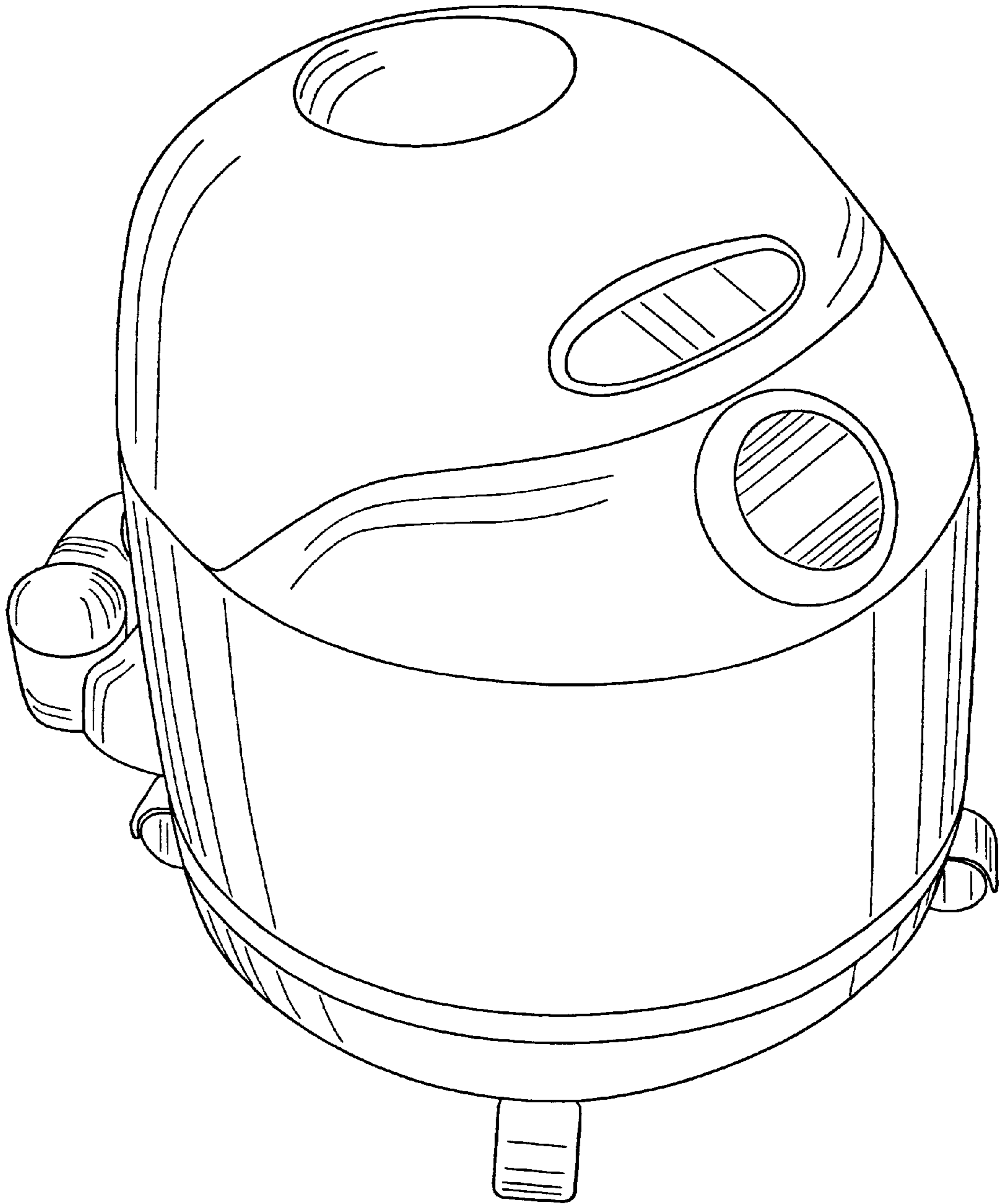


FIG. 1

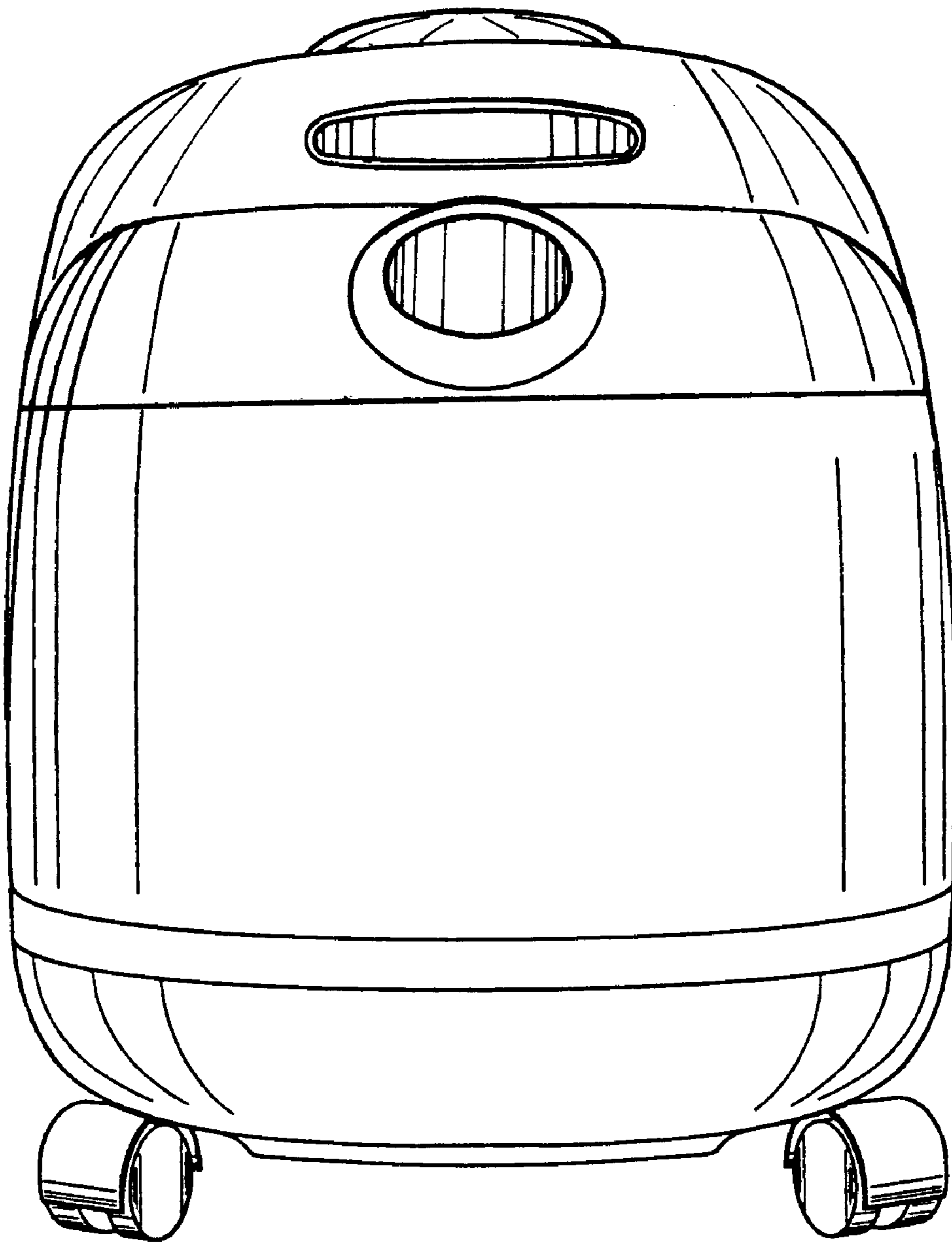
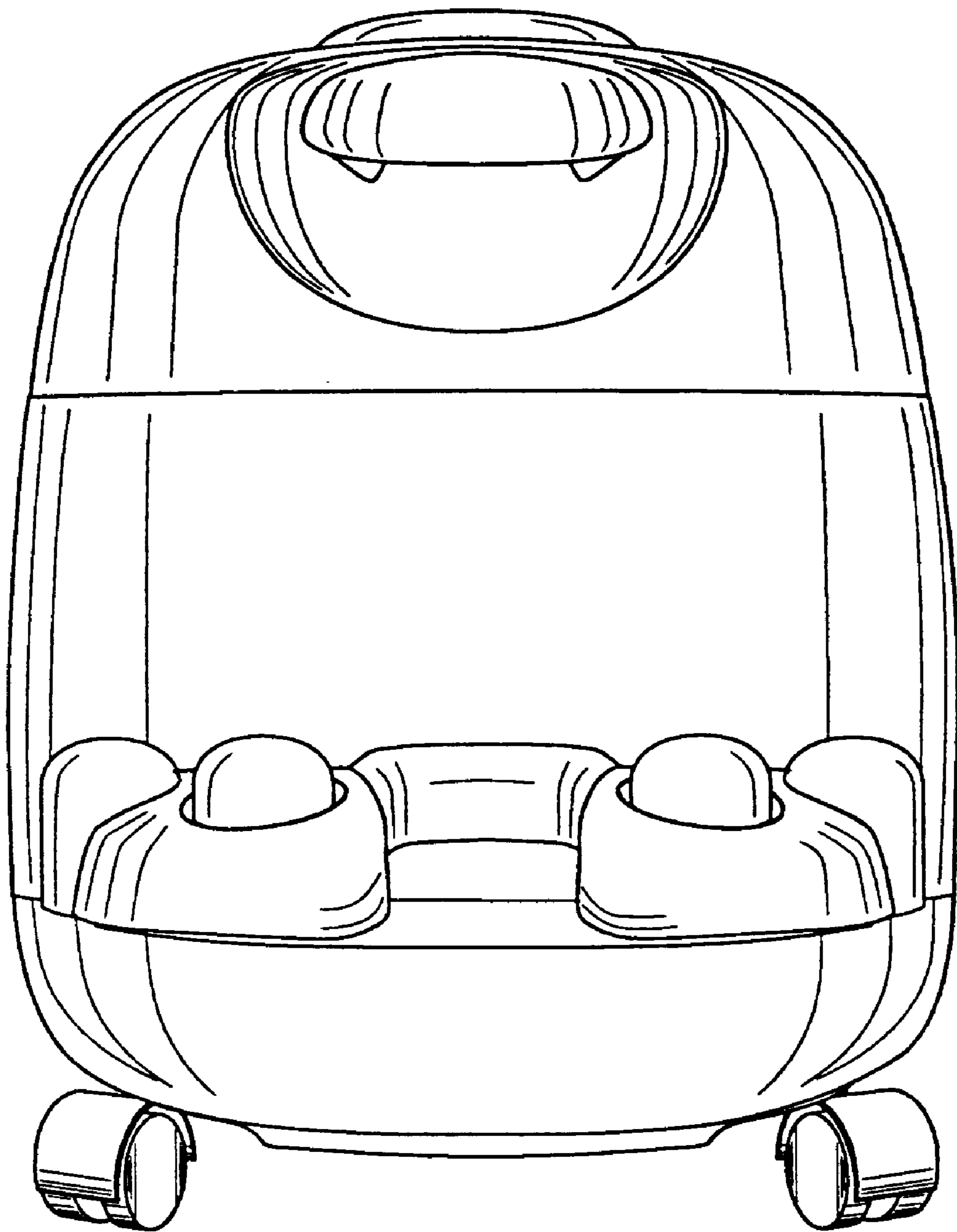


FIG. 2



**FIG. 3**

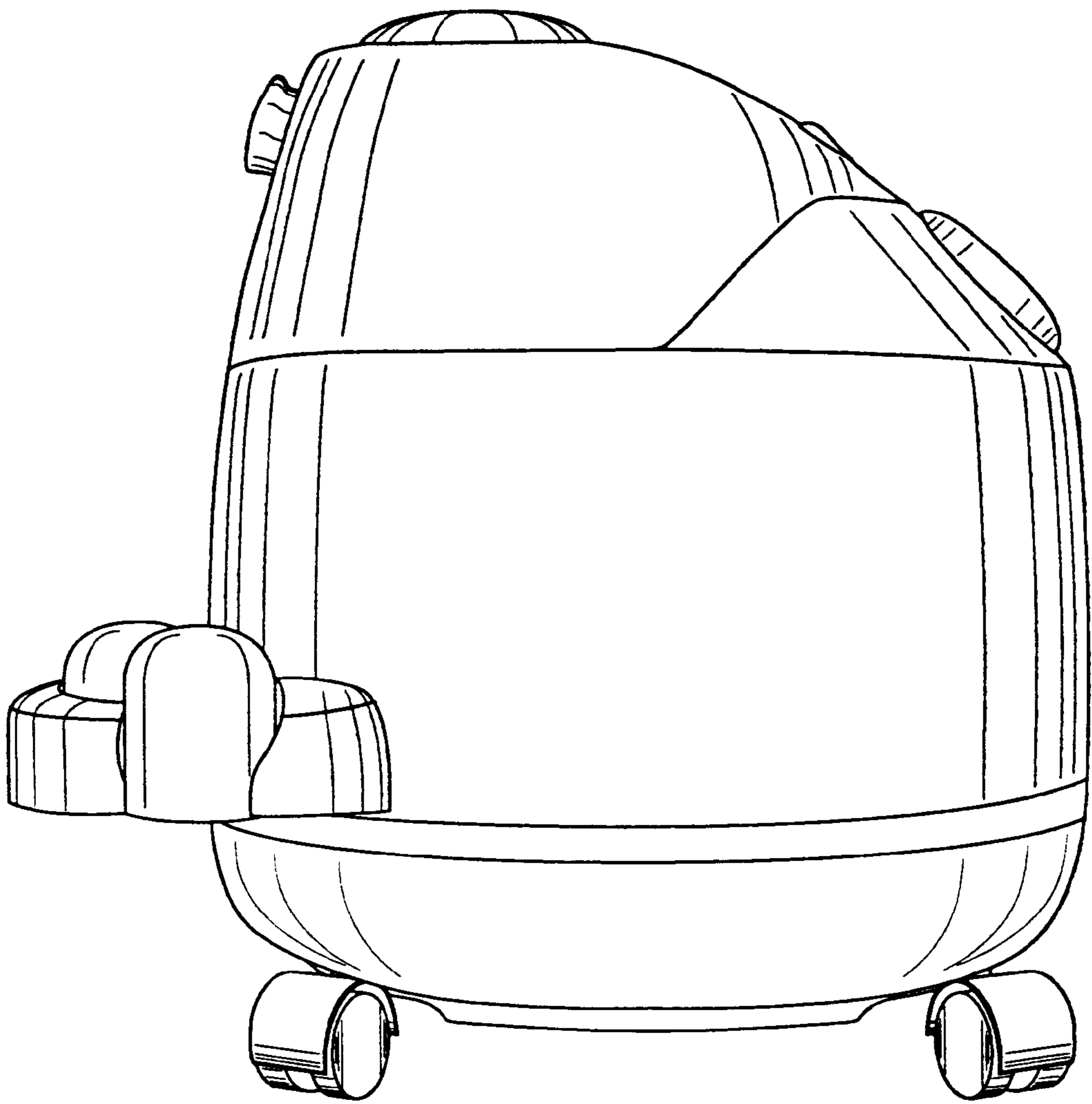


FIG. 4

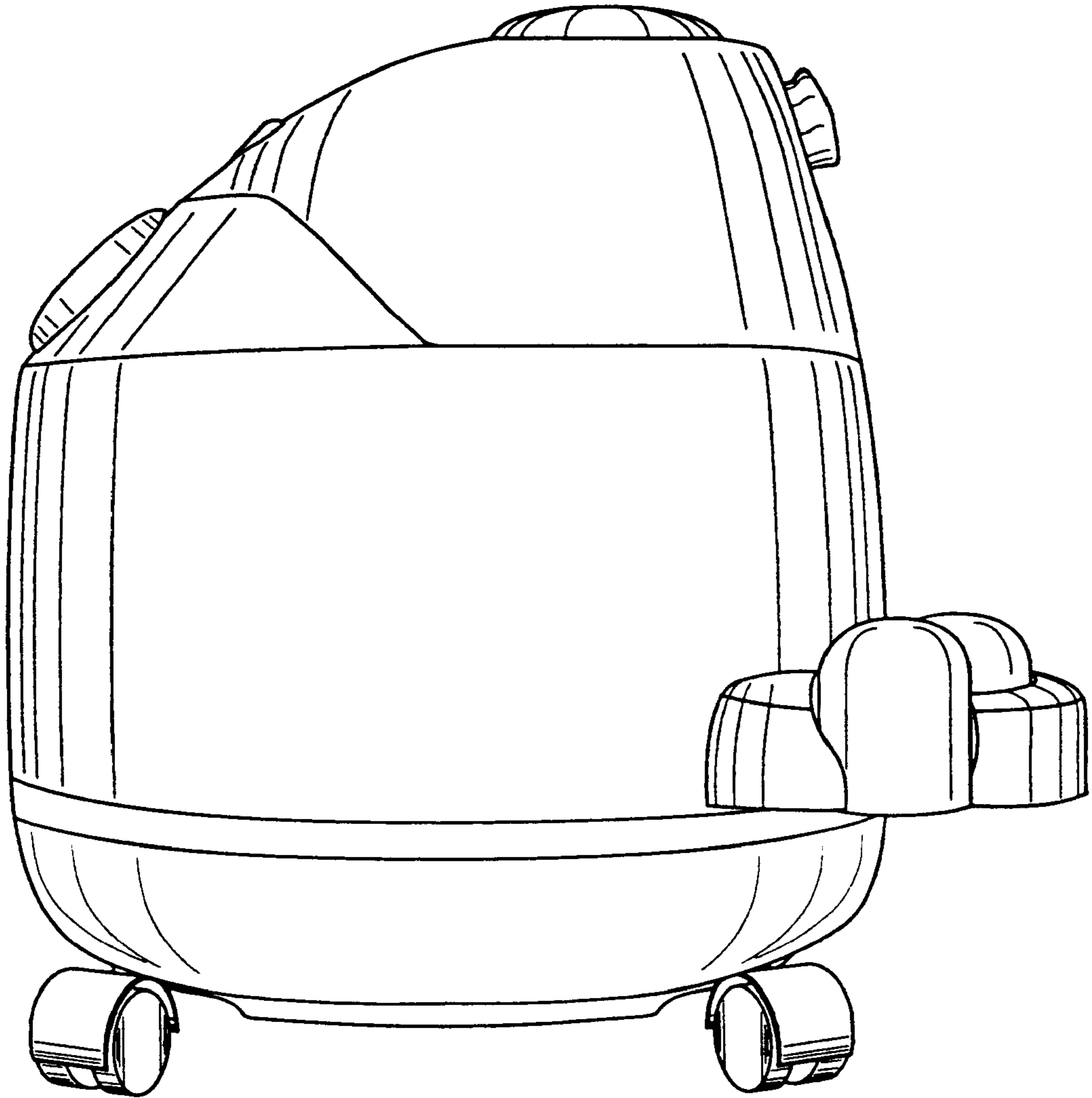
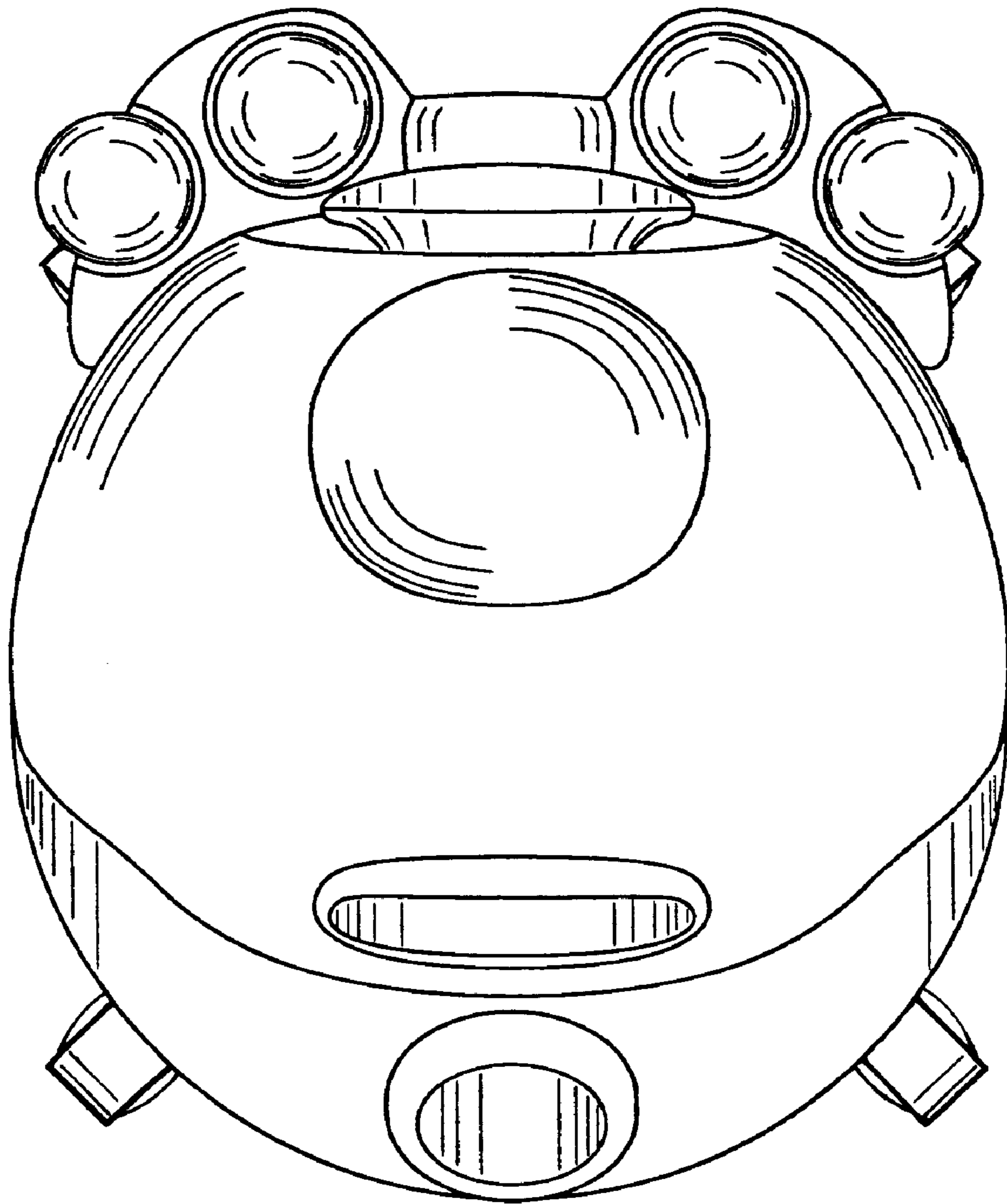
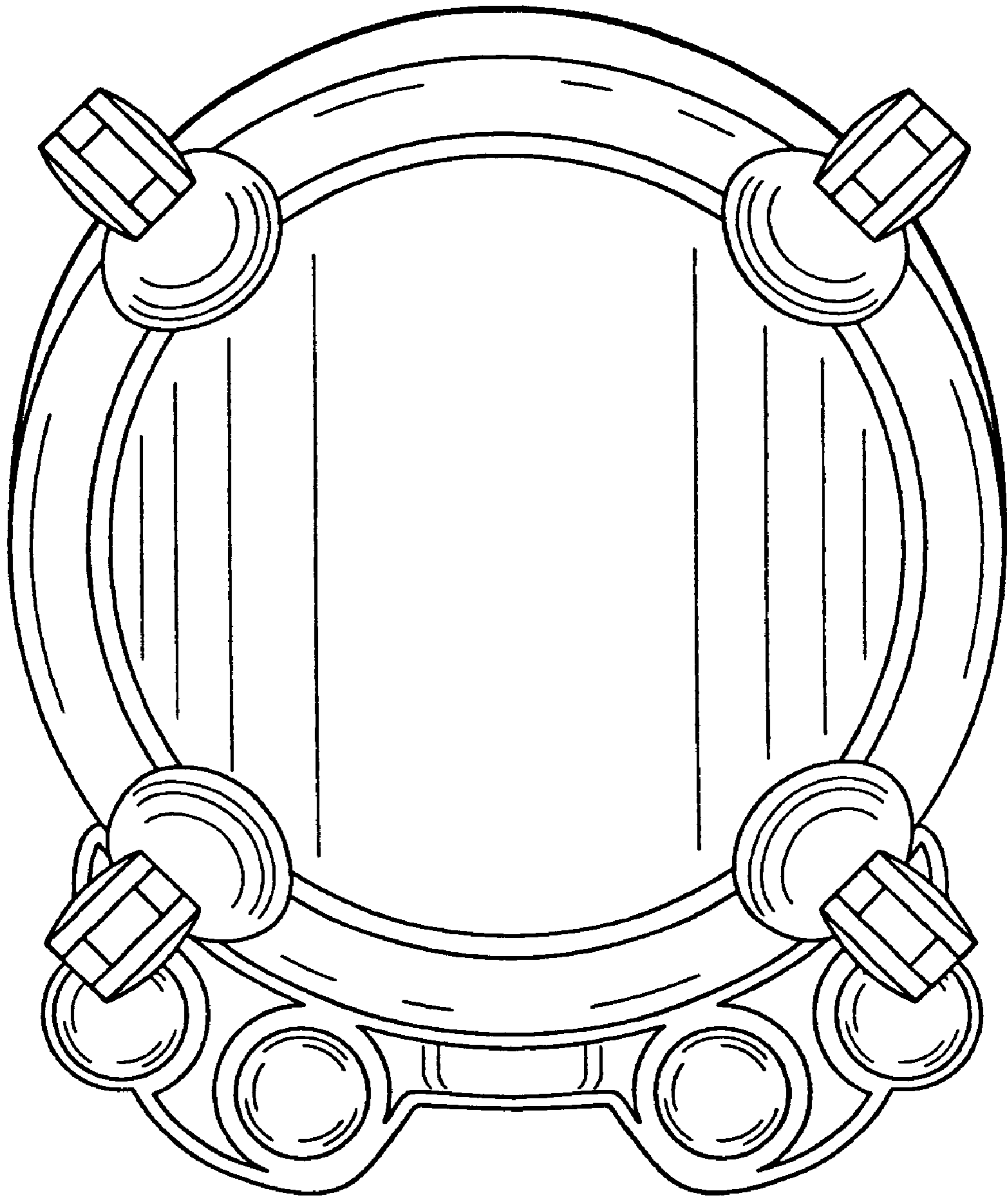


FIG. 5



**FIG. 6**



**FIG. 7**