



US00D430365S

United States Patent [19]
Roberts et al.

[11] **Patent Number: Des. 430,365**
[45] **Date of Patent: ** Aug. 29, 2000**

[54] **PORTABLE VACUUM CLEANER**
[75] Inventors: **Kenneth L. Roberts**, Rockford;
Douglas J. Medema, Belding, both of
Mich.
[73] Assignee: **Bissell Homecare, Inc.**, Grand Rapids,
Mich.
[**] Term: **14 Years**

[21] Appl. No.: **29/096,952**
[22] Filed: **Nov. 24, 1998**

Related U.S. Application Data

[63] Continuation-in-part of application No. 29/079,620, Dec. 8,
1997.
[51] **LOC (7) Cl.** **15-05**
[52] **U.S. Cl.** **D32/18**
[58] **Field of Search** D32/17-18, 21,
D32/31-33; 15/373, 396, 398, 415.1-416,
322, 344, 329, 320, 321, 347, 353

[56] **References Cited**

U.S. PATENT DOCUMENTS

- D. 277,706 2/1985 Wareham .
- D. 283,064 3/1986 Thomas et al. .
- D. 292,832 11/1987 Yamamoto et al. .
- D. 295,566 5/1988 Hetherington et al. D32/18
- D. 301,646 6/1989 Yamamoto et al. .
- D. 302,757 8/1989 Uemura .
- D. 306,505 3/1990 Bradd .
- D. 313,831 1/1991 Gildersleeve .
- D. 315,816 3/1991 Ferrari et al. .
- D. 356,191 3/1995 Phelan .
- D. 357,772 4/1995 Yuen D32/18
- D. 368,558 4/1996 Wolfe et al. D32/18
- D. 370,319 5/1996 Bass et al. .
- D. 371,649 7/1996 Neshat et al. .

- D. 371,651 7/1996 Bass et al. D32/18
- D. 374,317 10/1996 Bass et al. D32/18
- D. 376,228 12/1996 Bass et al. D32/18
- D. 379,691 6/1997 Moine et al. .
- D. 388,562 12/1997 Doria .
- D. 388,563 12/1997 Lui D32/18
- 4,924,548 5/1990 Touya et al. .

OTHER PUBLICATIONS

Terry Troy, Home World Business News article entitled
"CIT Study: Vac Sales to Stay Strong Through Decade,"
Mar. 4-17, 1996, p. 4.

Primary Examiner—Ruth McInroy
Attorney, Agent, or Firm—Rader, Fishman, Grauer &
McGarry

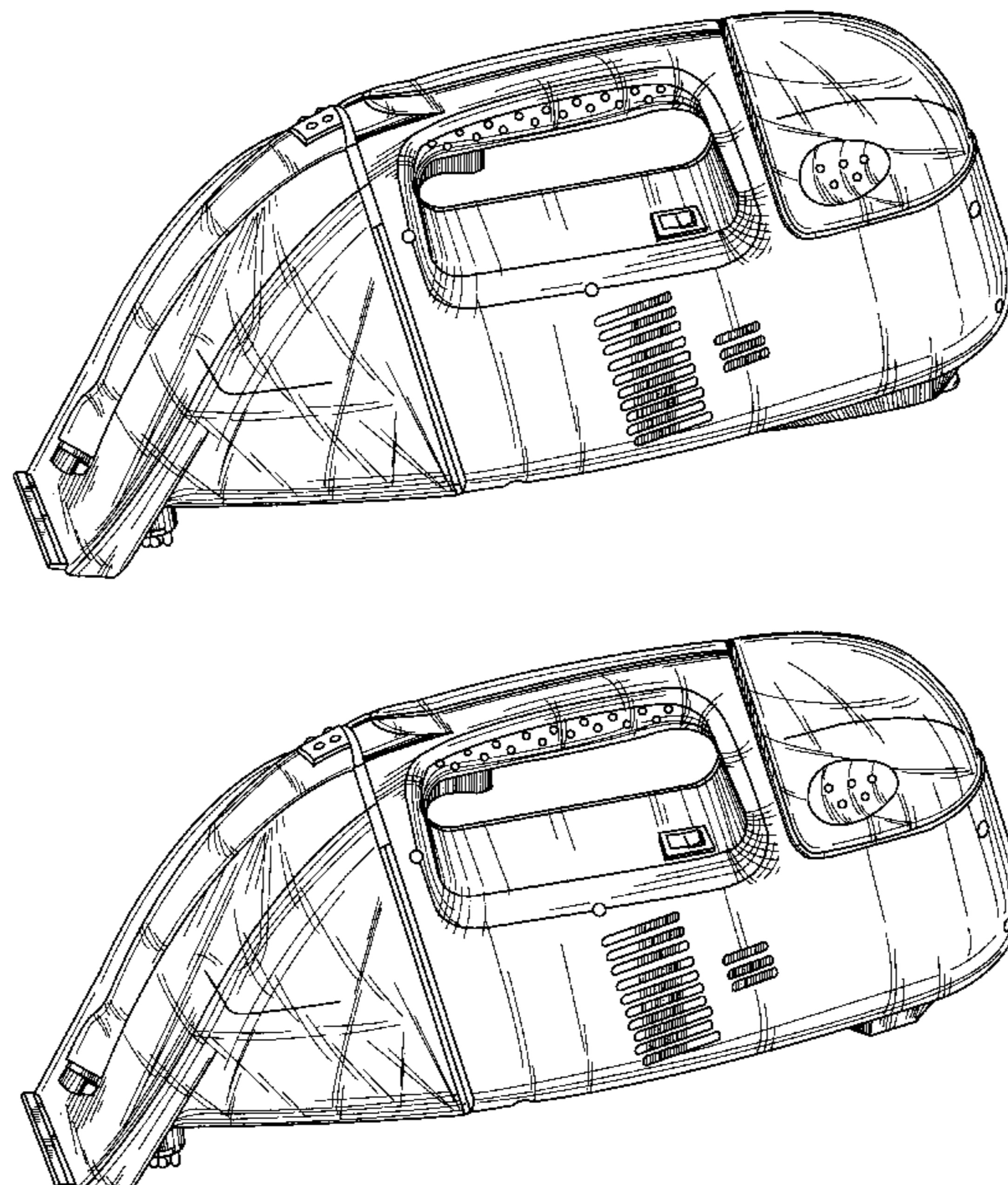
[57] **CLAIM**

The ornamental design for a portable vacuum cleaner, as
shown and described.

DESCRIPTION

FIG. 1 is a front perspective view of a portable vacuum
cleaner showing our new design;
FIG. 2 is a top plan view thereof;
FIG. 3 is a bottom plan view thereof;
FIG. 4 is a front elevational view thereof;
FIG. 5 is a rear elevational view thereof;
FIG. 6 is a left side elevational view thereof, the right side
elevational view being a mirror image thereof.
FIG. 7 is a front perspective view of a second embodiment
thereof;
FIG. 8 is a top plan view thereof;
FIG. 9 is a bottom plan view thereof;
FIG. 10 is a front elevational view thereof;
FIG. 11 is a rear elevational view thereof; and,
FIG. 12 is a left side elevational view thereof, the right side
elevational view being a mirror image thereof.

1 Claim, 8 Drawing Sheets



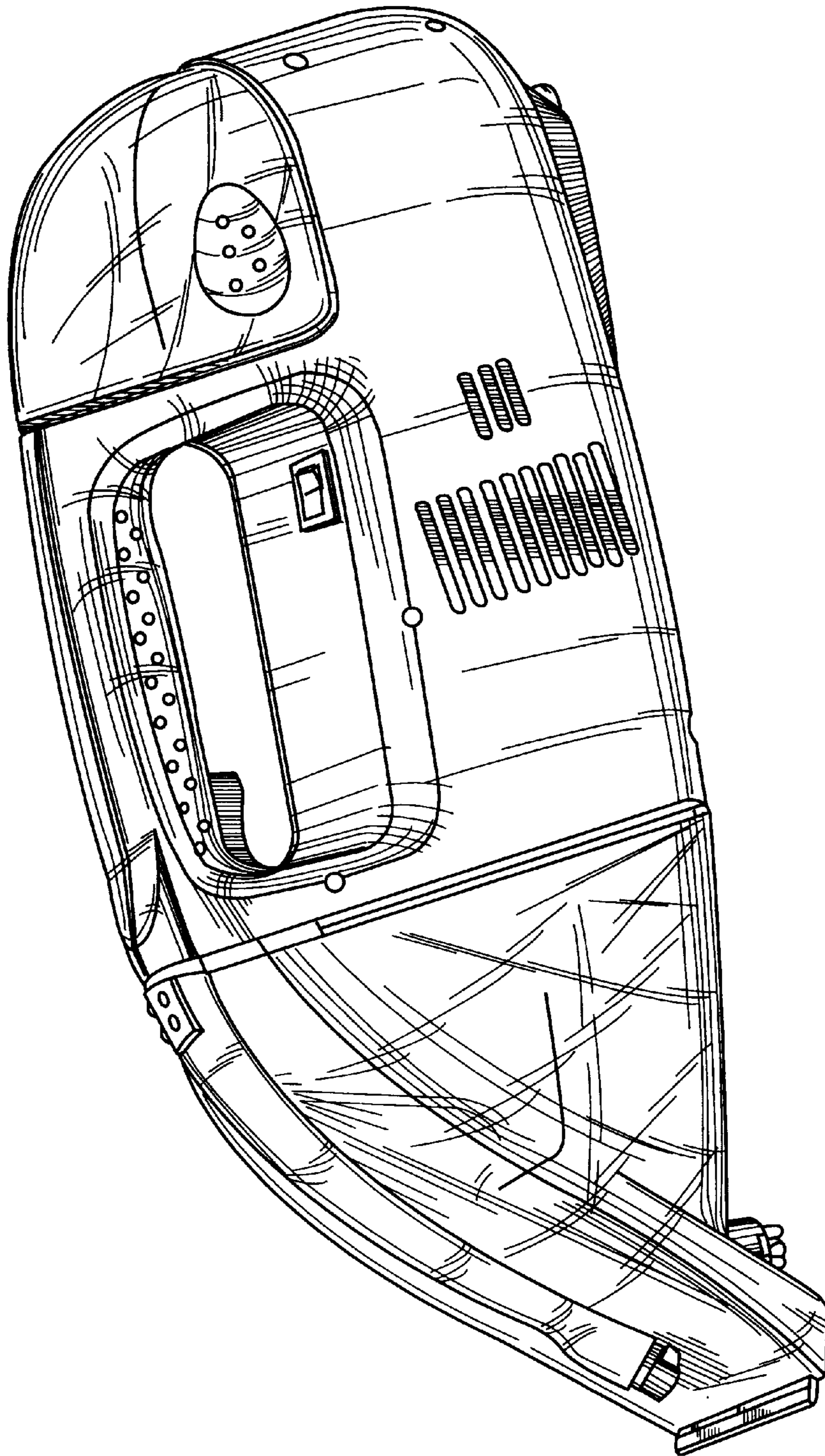


Fig. 1

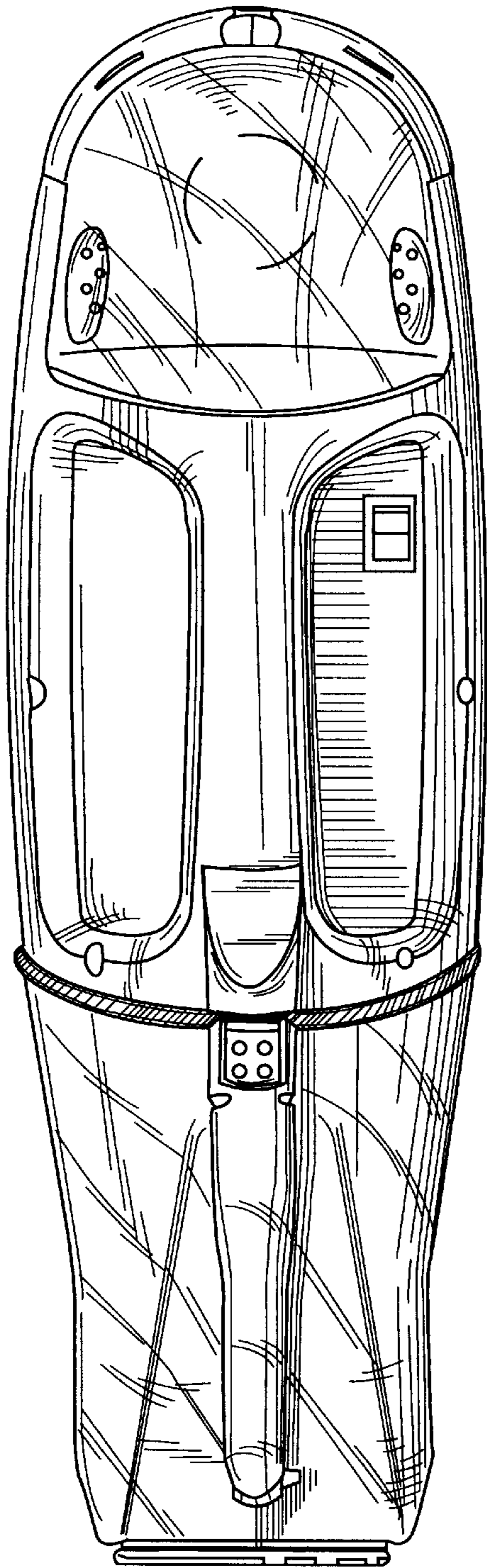


Fig. 2

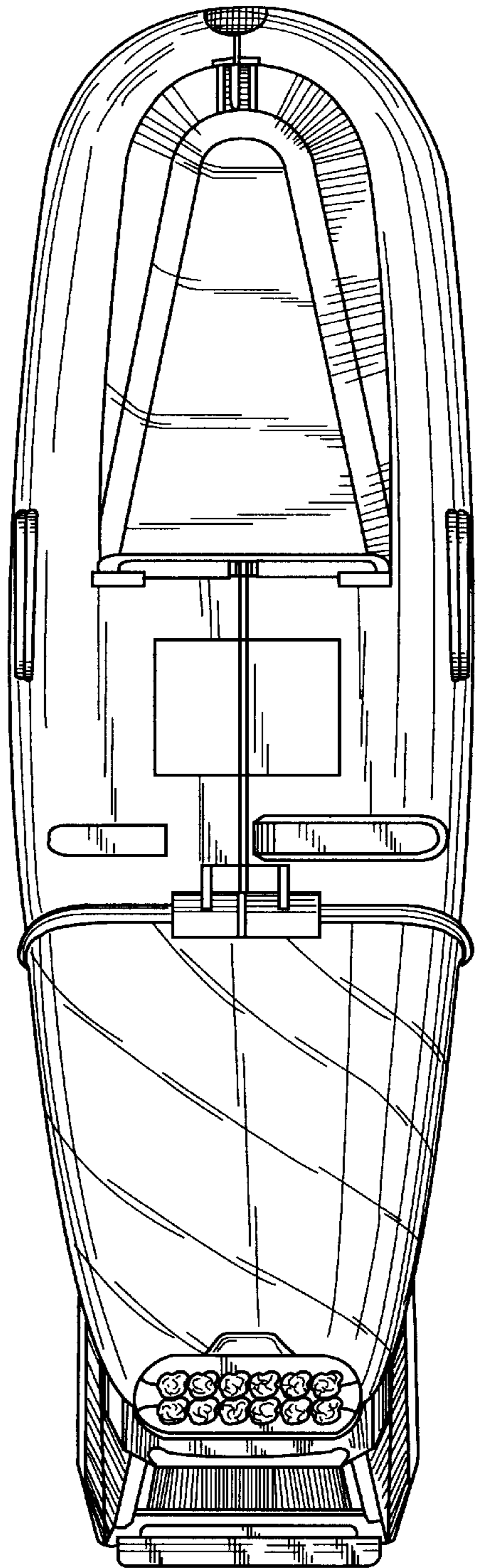


Fig. 3

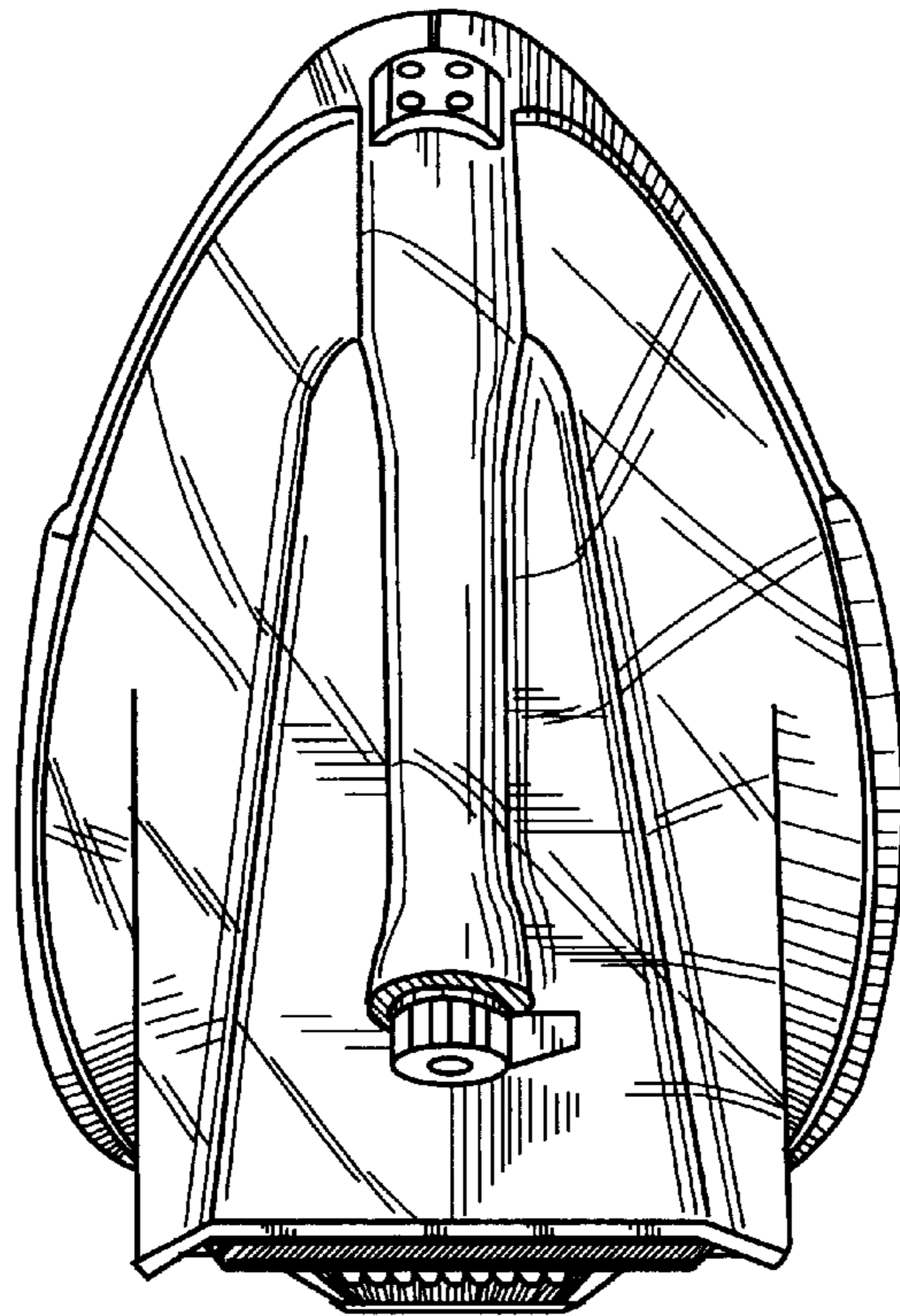


Fig. 4

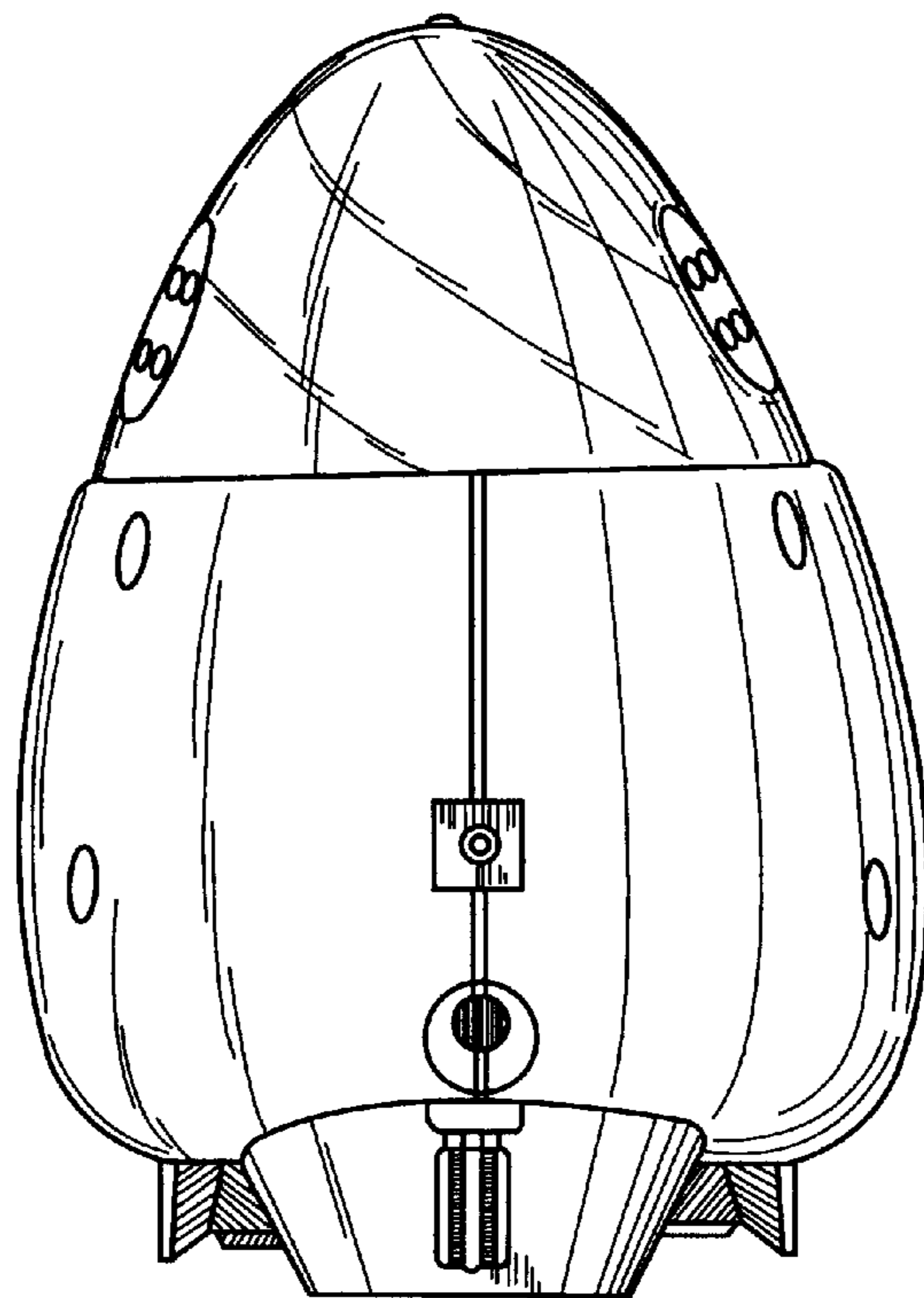


Fig. 5

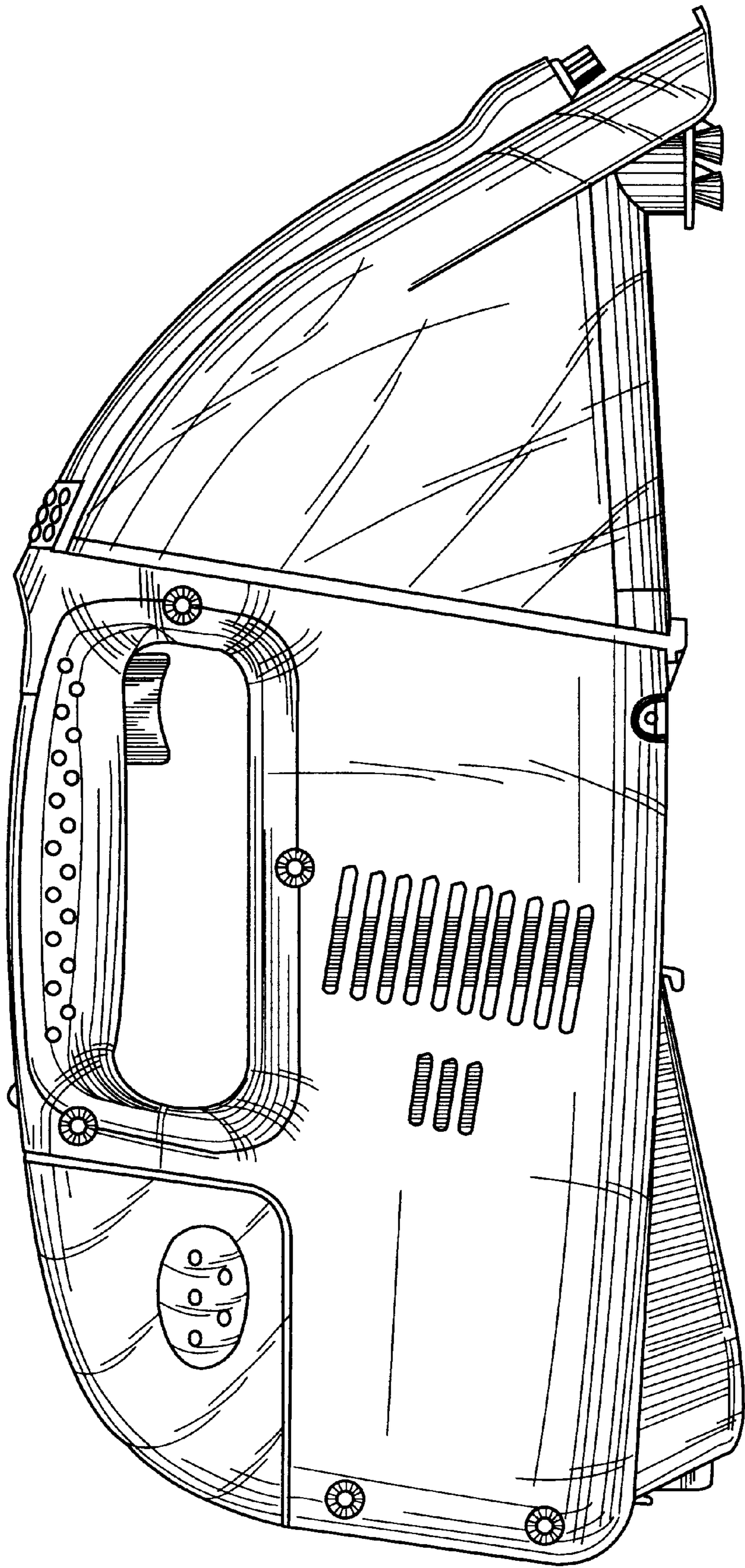


Fig. 6

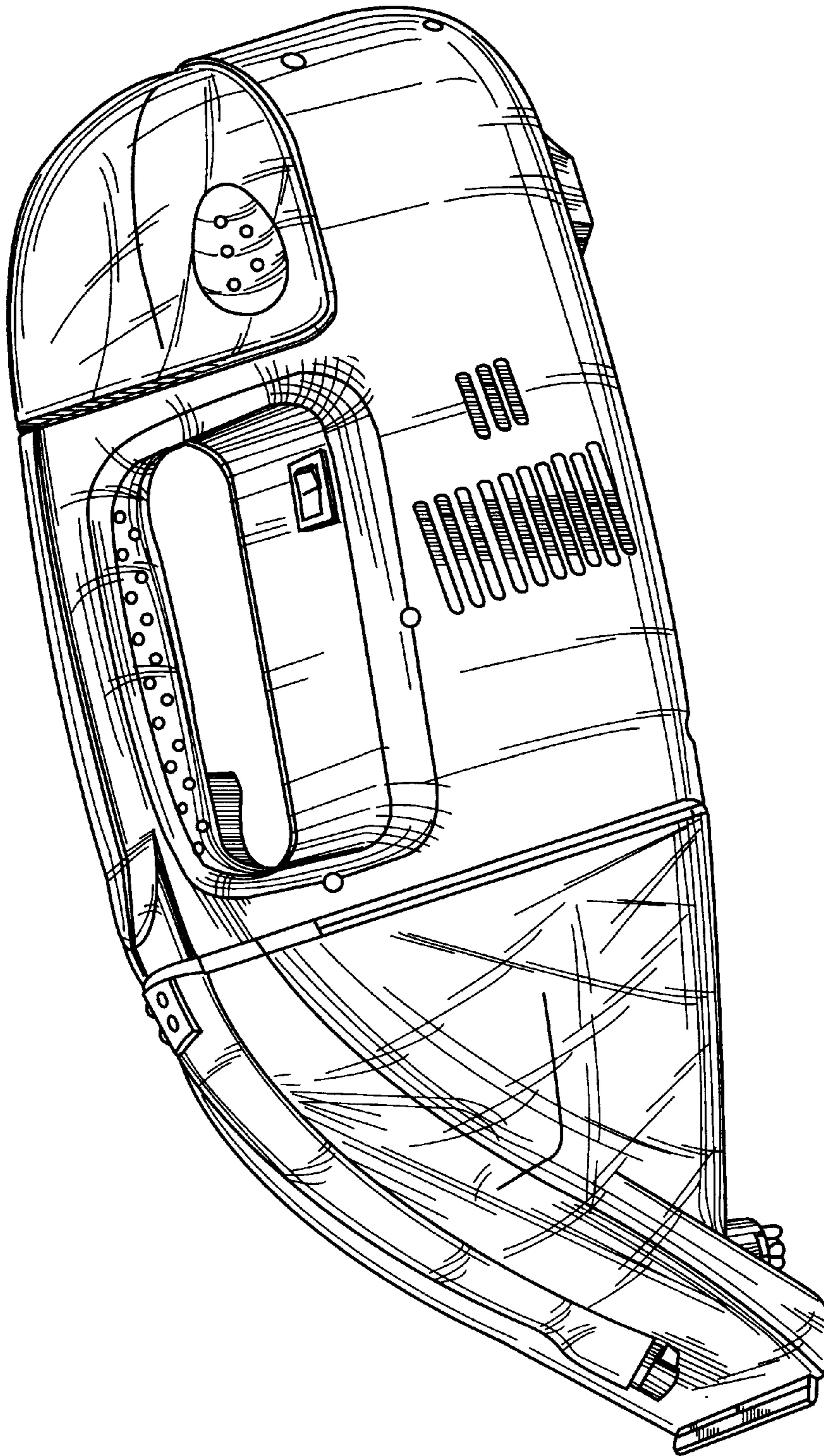


Fig. 7

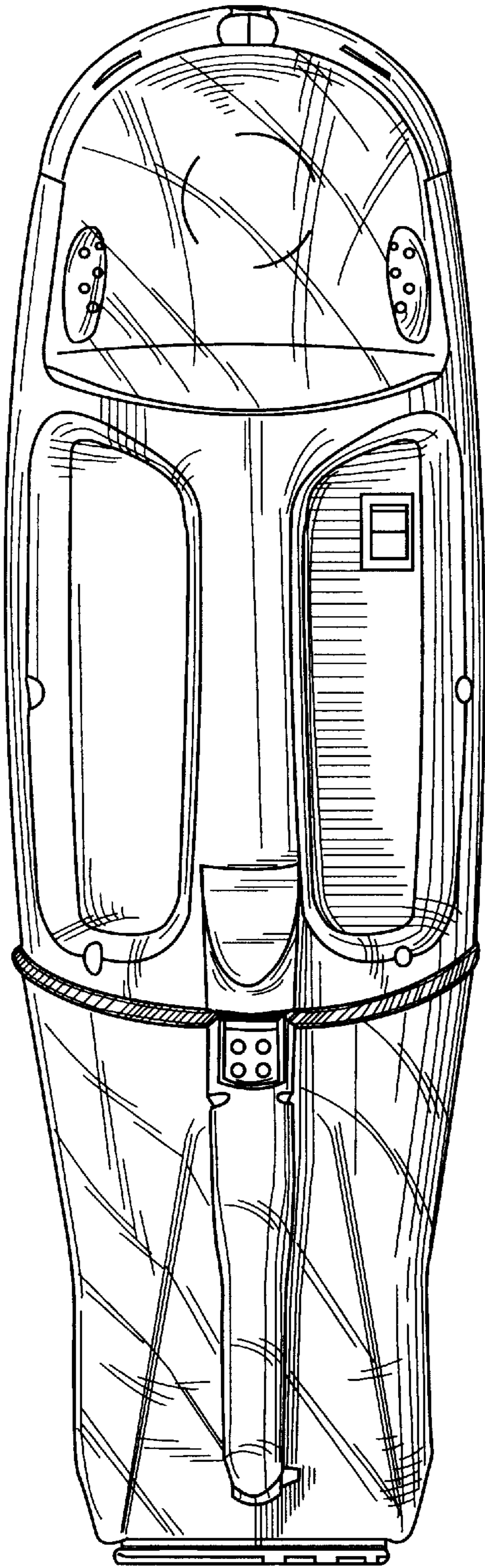


Fig. 8

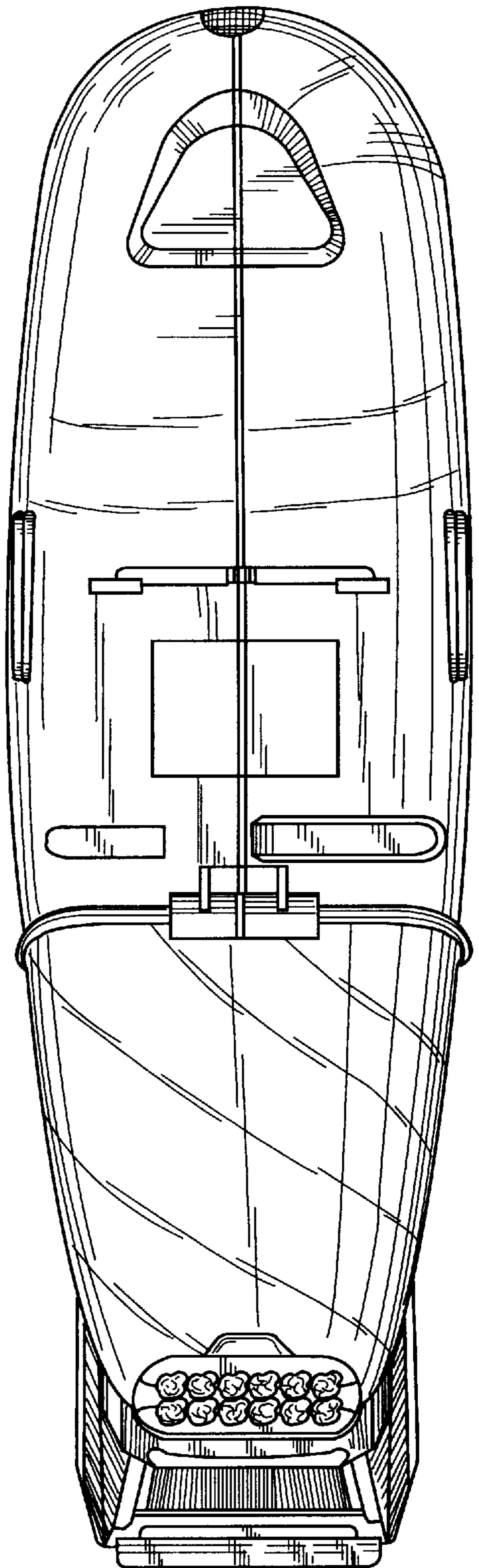


Fig. 9

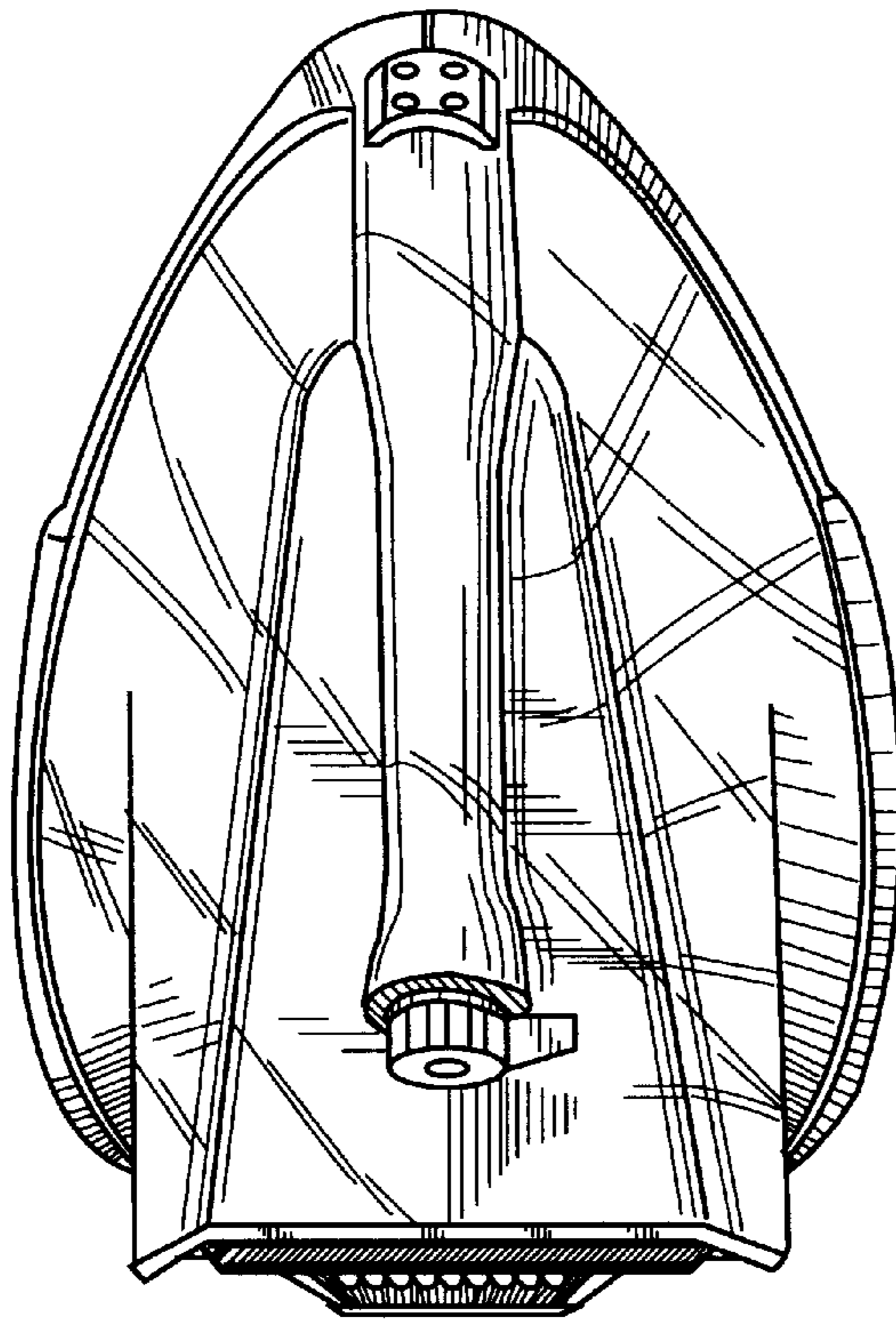


Fig. 10

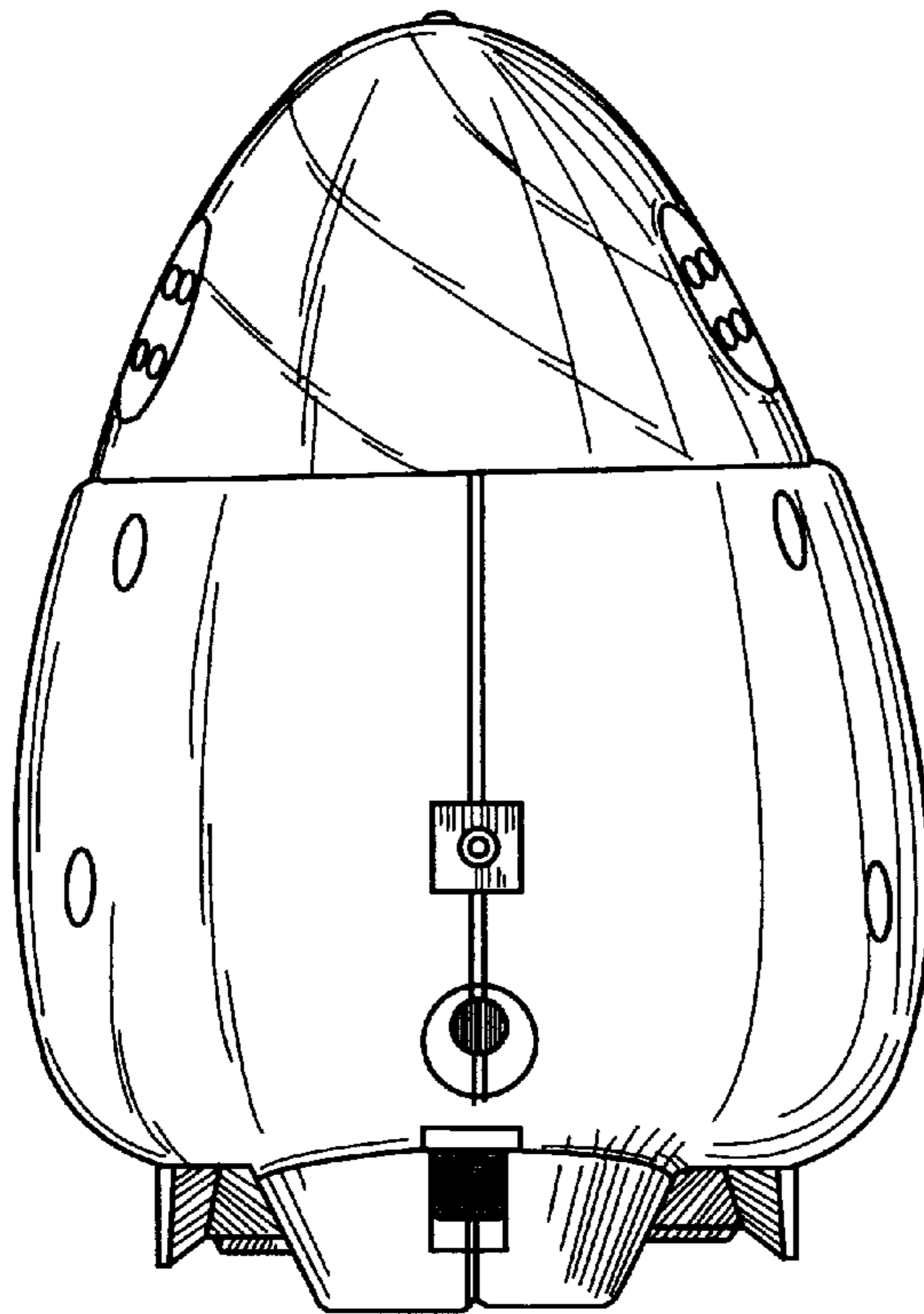


Fig. 11

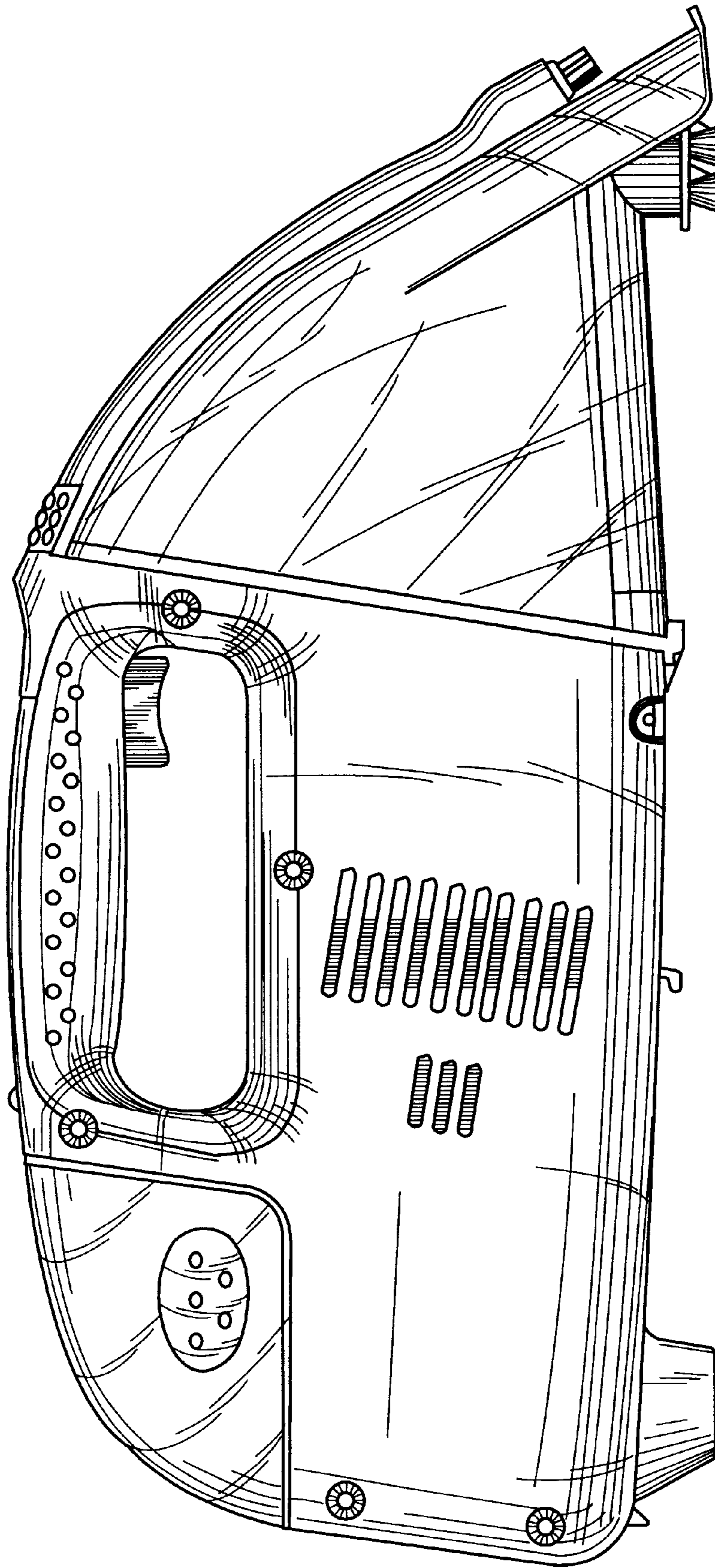


Fig. 12