



US00D430363S

United States Patent [19]

Bacon et al.

[11] Patent Number: **Des. 430,363**

[45] Date of Patent: **** Aug. 29, 2000**

[54] **PET DISH WITH MOAT**

[76] Inventors: **Shannon D Bacon; Sherion Bacon,**
both of 1722 N. Grand, Gainsville, Tex.
76240

[**] Term: **14 Years**

[21] Appl. No.: **29/113,009**

[22] Filed: **Oct. 28, 1999**

[51] **LOC (7) Cl.** **30-03**

[52] **U.S. Cl.** **D30/129**

[58] **Field of Search** D30/121-133;
119/61, 51.05, 51.12, 51.13, 51.5; D7/553,
554, 545, 543, 584

[56] **References Cited**

U.S. PATENT DOCUMENTS

- D. 248,077 6/1978 Daenen D30/129 X
- D. 296,485 6/1988 Peterson D30/130
- D. 362,089 9/1995 Moore et al. D30/129

- D. 399,029 9/1998 Falcone et al. D30/130
- 4,981,108 1/1991 Faeroe 119/61
- 5,979,360 11/1999 Tharp 119/51.5

Primary Examiner—Louis S. Zarfes
Assistant Examiner—Catherine R. Oliver

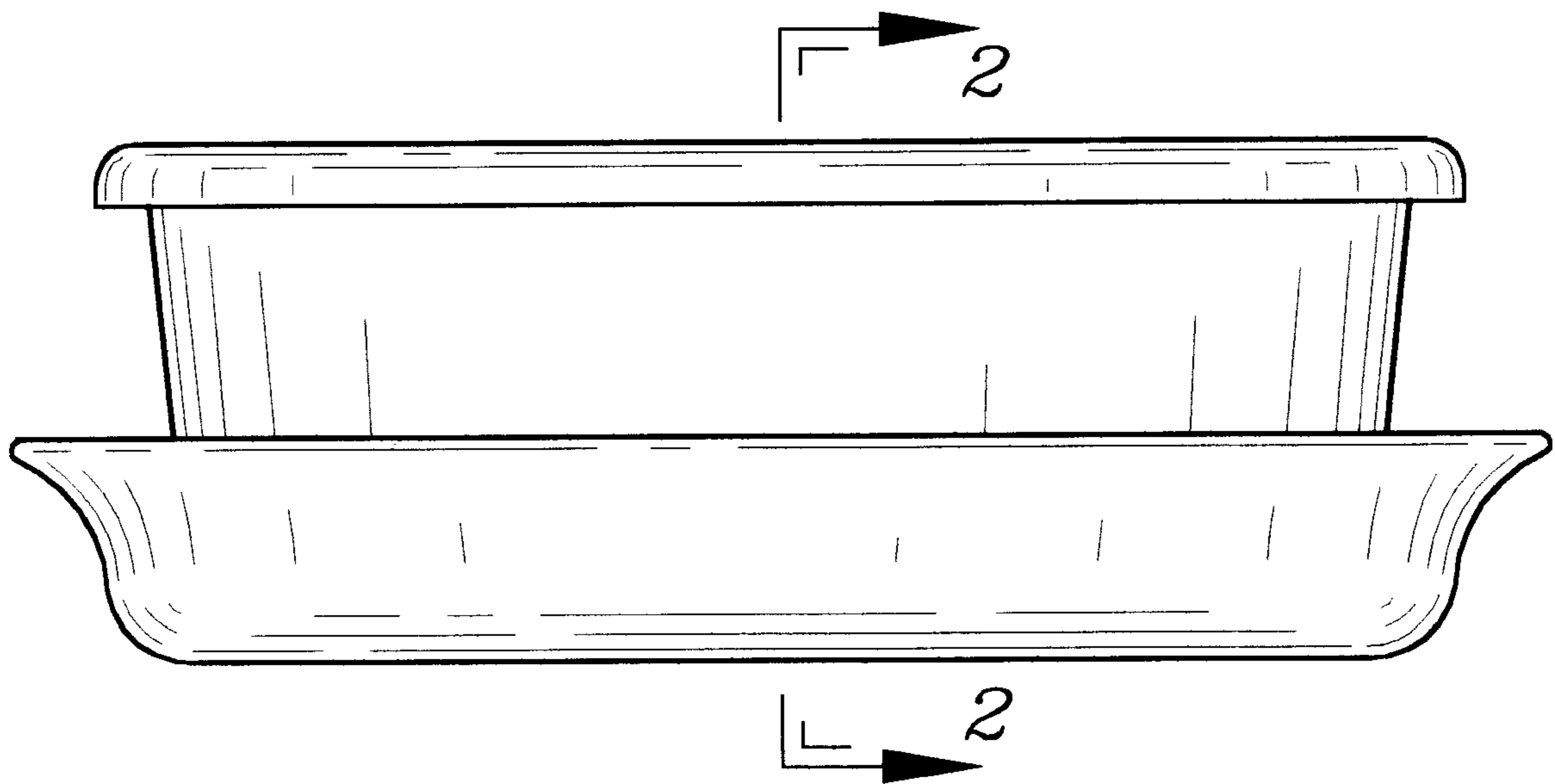
[57] **CLAIM**

The ornamental design for a pet dish with moat, as shown and described.

DESCRIPTION

FIG. 1 is a front elevational view of the pet dish with moat of the present invention, the rear, left and right views being a mirror image thereof;
FIG. 2 is a cross-sectional view taken along the line of 2—2 of FIG. 1 which is a view of the pet dish with moat;
FIG. 3 is a top plan view of the pet dish with moat of FIG. 1; and,
FIG. 4 is a bottom plan view of the pet dish with moat of FIG. 1.

1 Claim, 2 Drawing Sheets



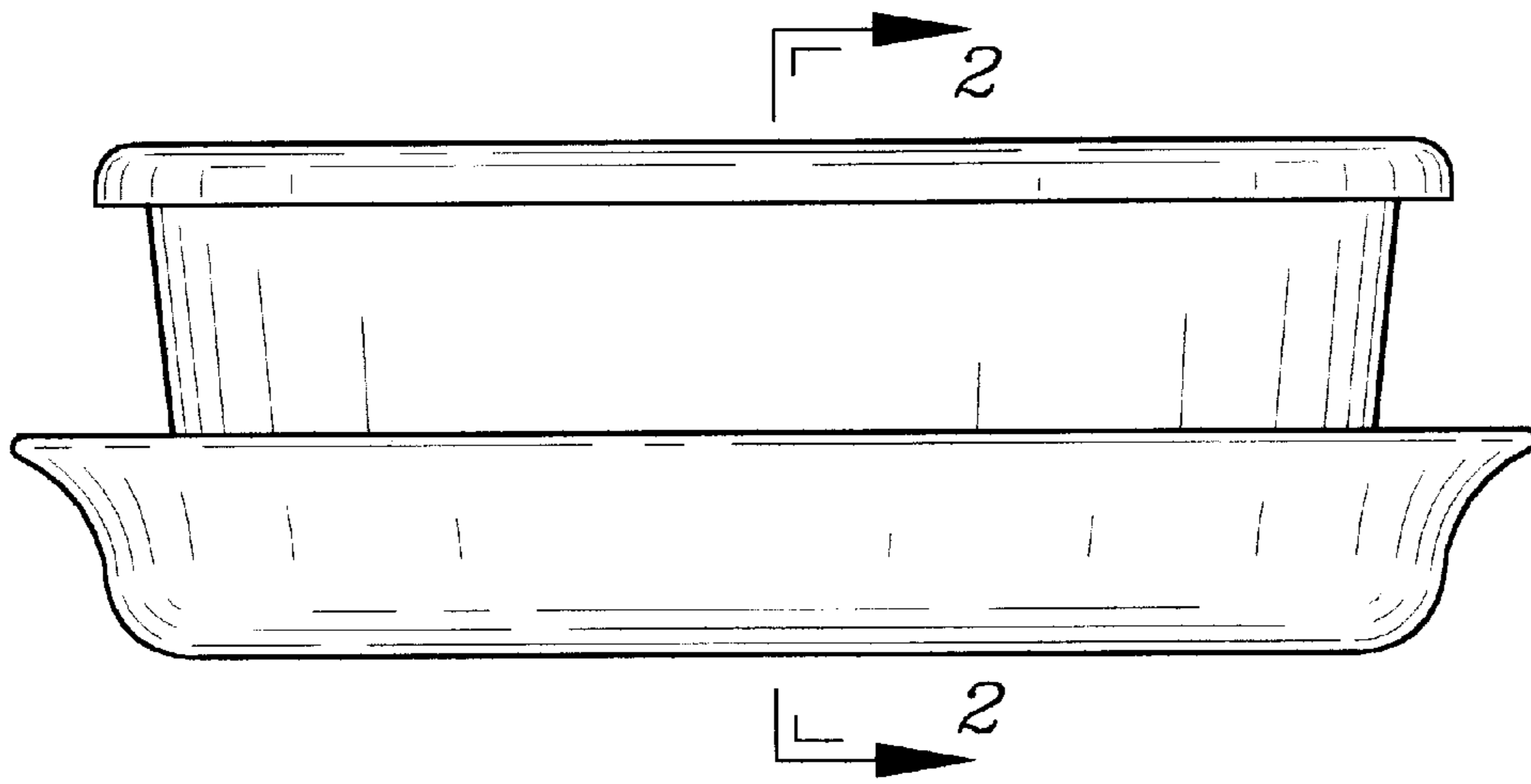


Fig. 1

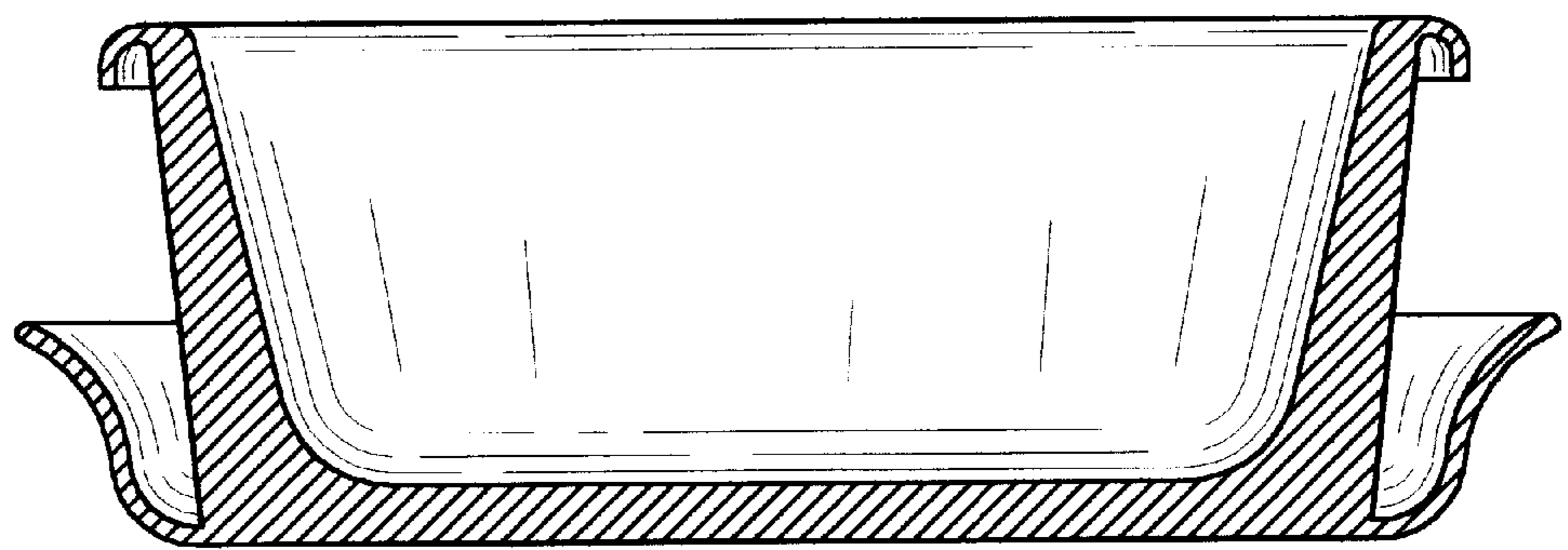


Fig. 2



Fig. 3

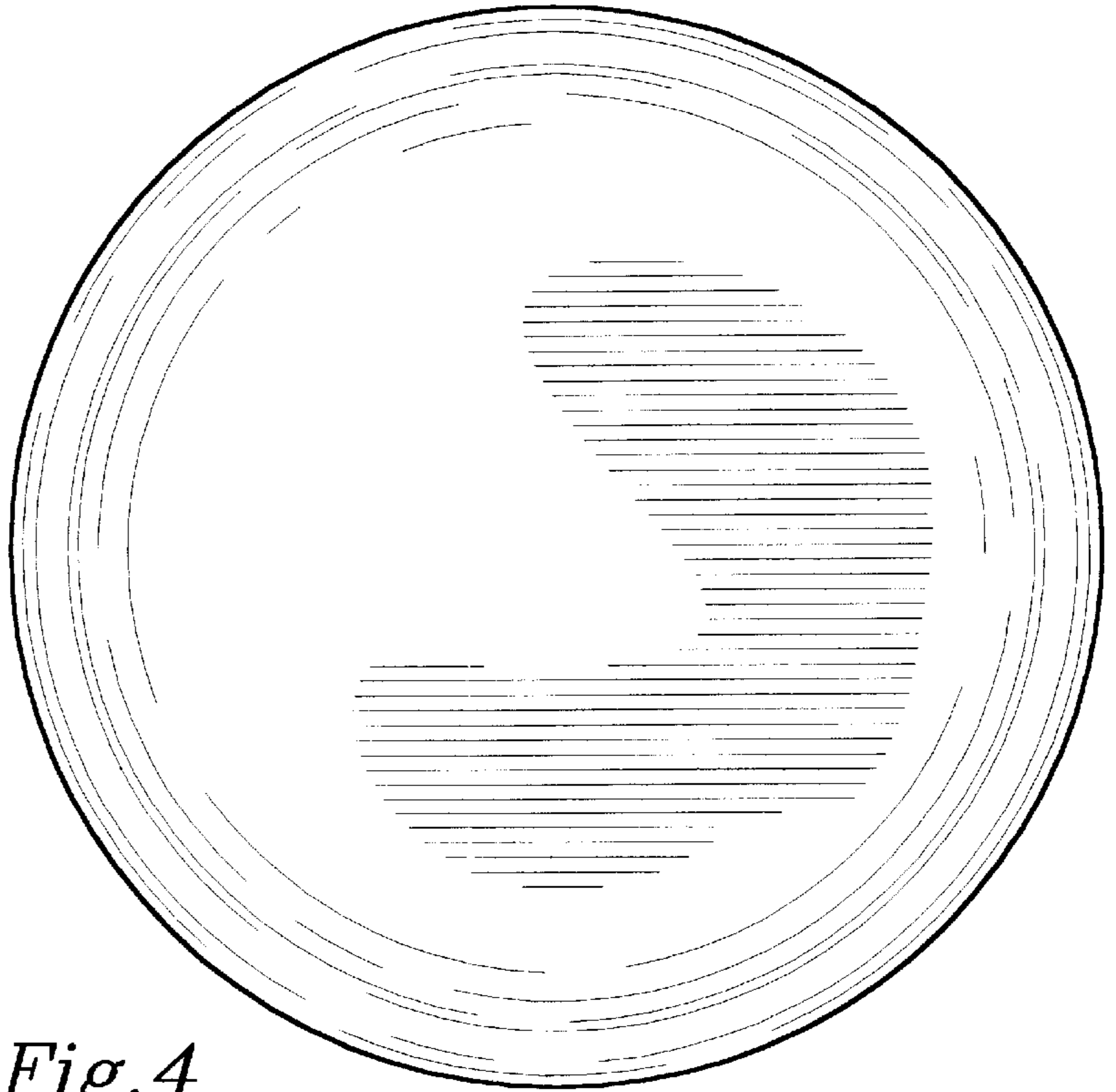


Fig. 4