



US00D430352S

United States Patent [19]

[11] **Patent Number: Des. 430,352**

Packham et al.

[45] **Date of Patent: ** Aug. 29, 2000**

[54] **SHAVING PART FOR SHAVER**

4,493,149	1/1985	Tanahashi et al.	30/43.92
5,542,179	8/1996	Beutel	30/43.92
5,901,446	5/1999	Szymansky	30/43.92

[75] Inventors: **Charles C. Packham**, Crowthorne;
Trever John Chrichton, Chesham, both
of United Kingdom

FOREIGN PATENT DOCUMENTS

138123	4/1985	European Pat. Off.	30/43.92
481194	5/1954	Italy	30/346.51
6-182063	5/1954	Japan	30/43.92
2244668	12/1991	United Kingdom	30/49

[73] Assignee: **Braun GmbH**, Germany

[**] Term: **14 Years**

Primary Examiner—Ted Shooman
Assistant Examiner—C Tuttle
Attorney, Agent, or Firm—Fish & Richardson P.C.

[21] Appl. No.: **29/104,335**

[22] Filed: **Apr. 30, 1999**

[30] Foreign Application Priority Data

Nov. 2, 1998 [WO] WIPO DMA/004296

[57] CLAIM

The ornamental design for a shaving part for shaver, as shown and described.

[51] **LOC (7) Cl.** **28-03**

DESCRIPTION

[52] **U.S. Cl.** **D28/51; D28/45**

[58] **Field of Search** D28/44-51; 30/32,
30/34.05, 34.1, 34.2, 43, 43.1-43.9, 43.91,
43.92, 42, 49, 346.5, 346.51, 346.55, 346.57,
346.61

FIG. 1 is a top and front perspective view of shaving part for shaver, showing our design;
FIG. 2 is a front view thereof;
FIG. 3 is a right side view thereof;
FIG. 4 is a left side view thereof;
FIG. 5 is a rear view thereof;
FIG. 6 is a top plan view thereof; and,
FIG. 7 is a bottom plan view thereof.

[56] References Cited

U.S. PATENT DOCUMENTS

D. 196,432	10/1963	Sundberg et al.	D28/51
D. 371,635	7/1996	Ullmann	D28/51

1 Claim, 1 Drawing Sheet

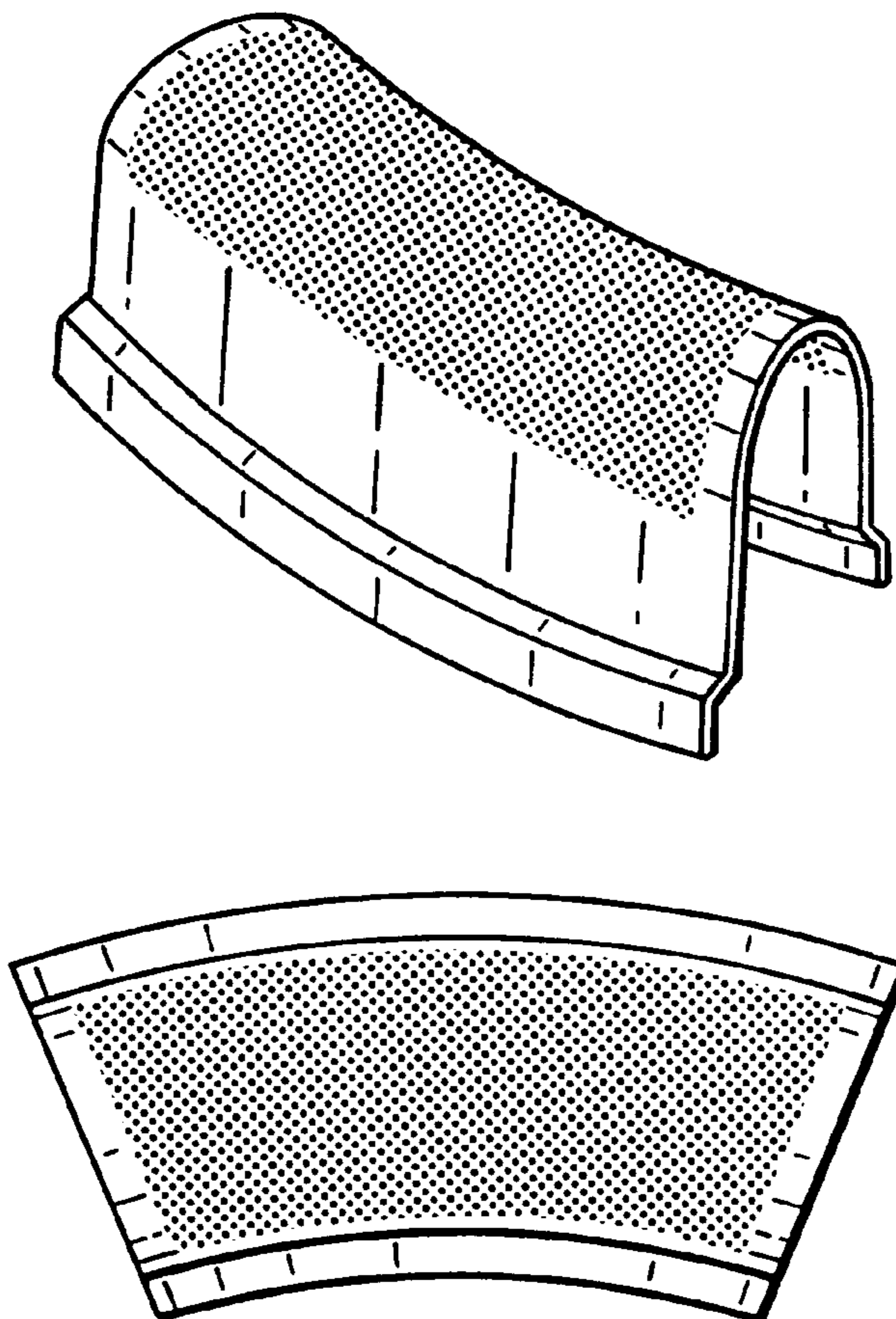


Fig. 1

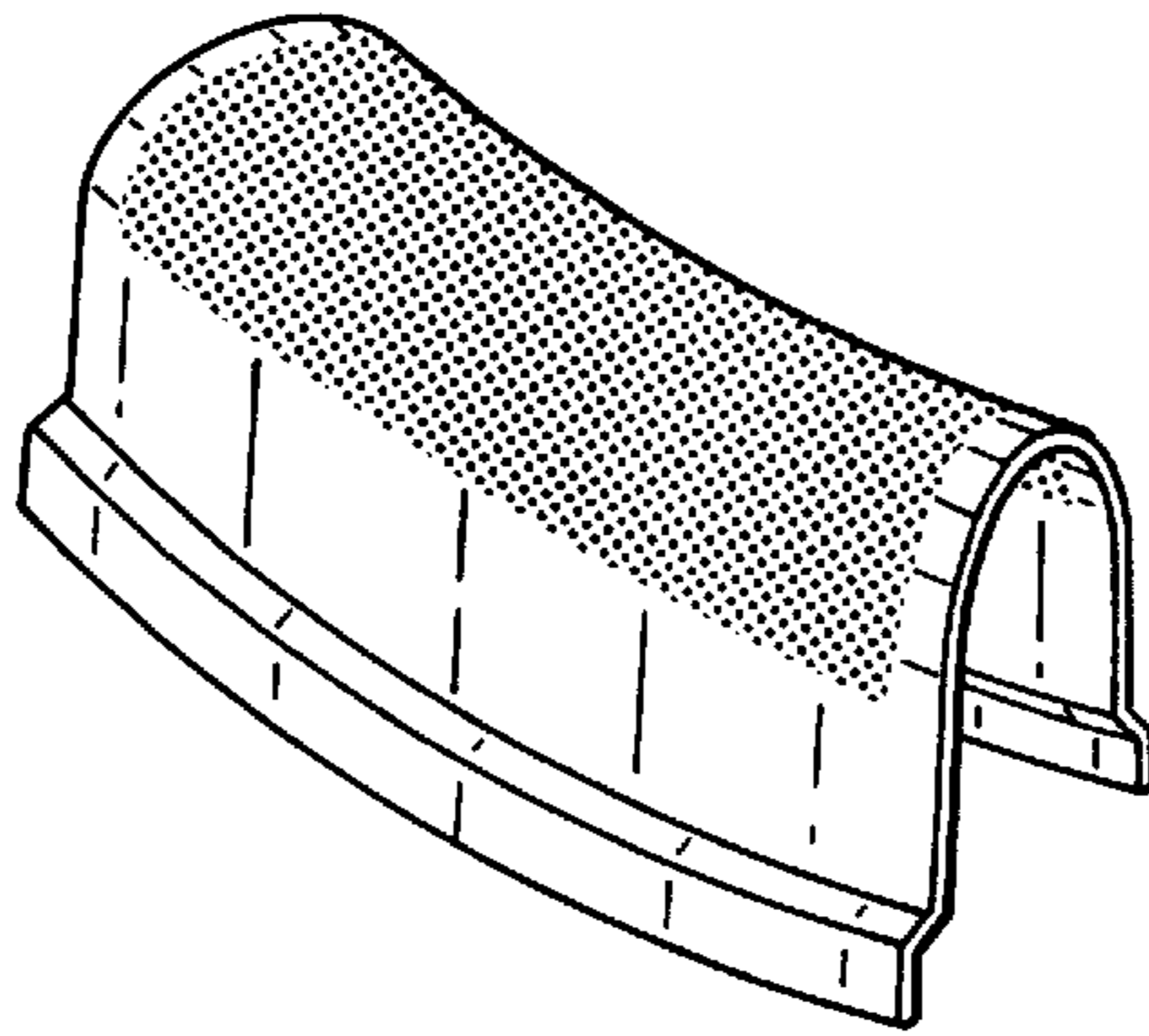


Fig. 6

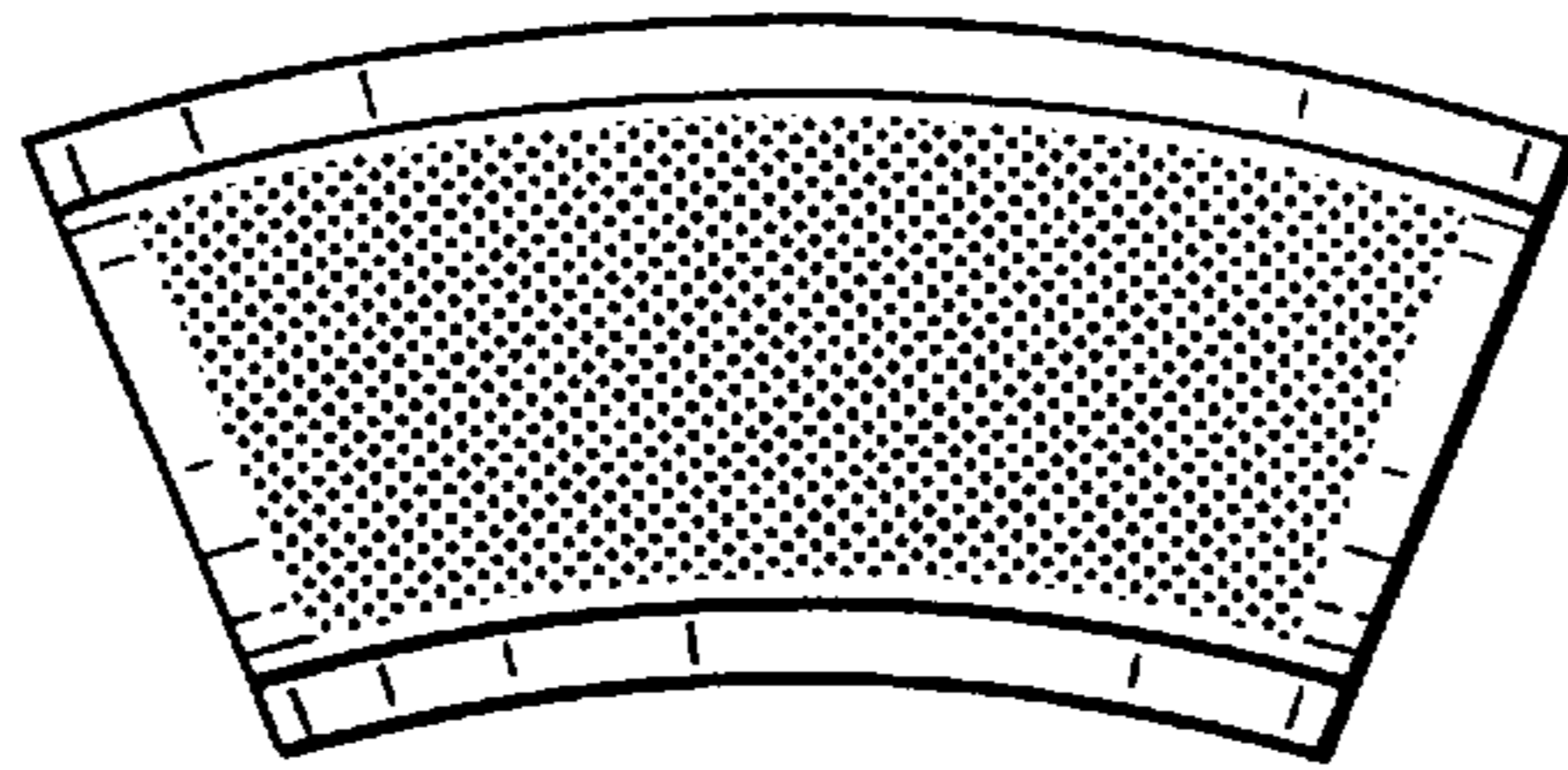


Fig. 4

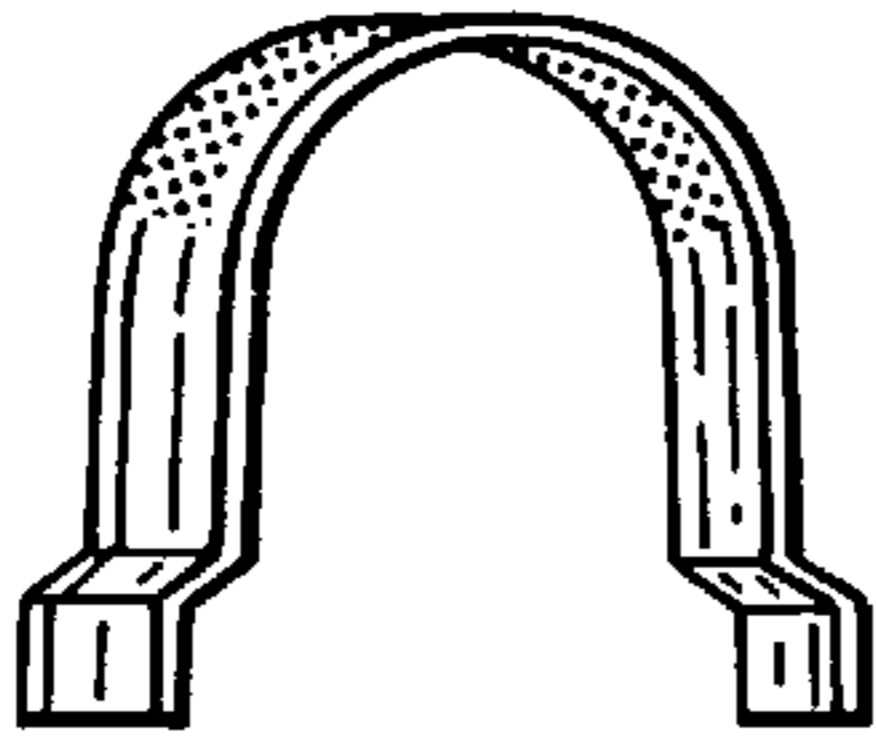


Fig. 2

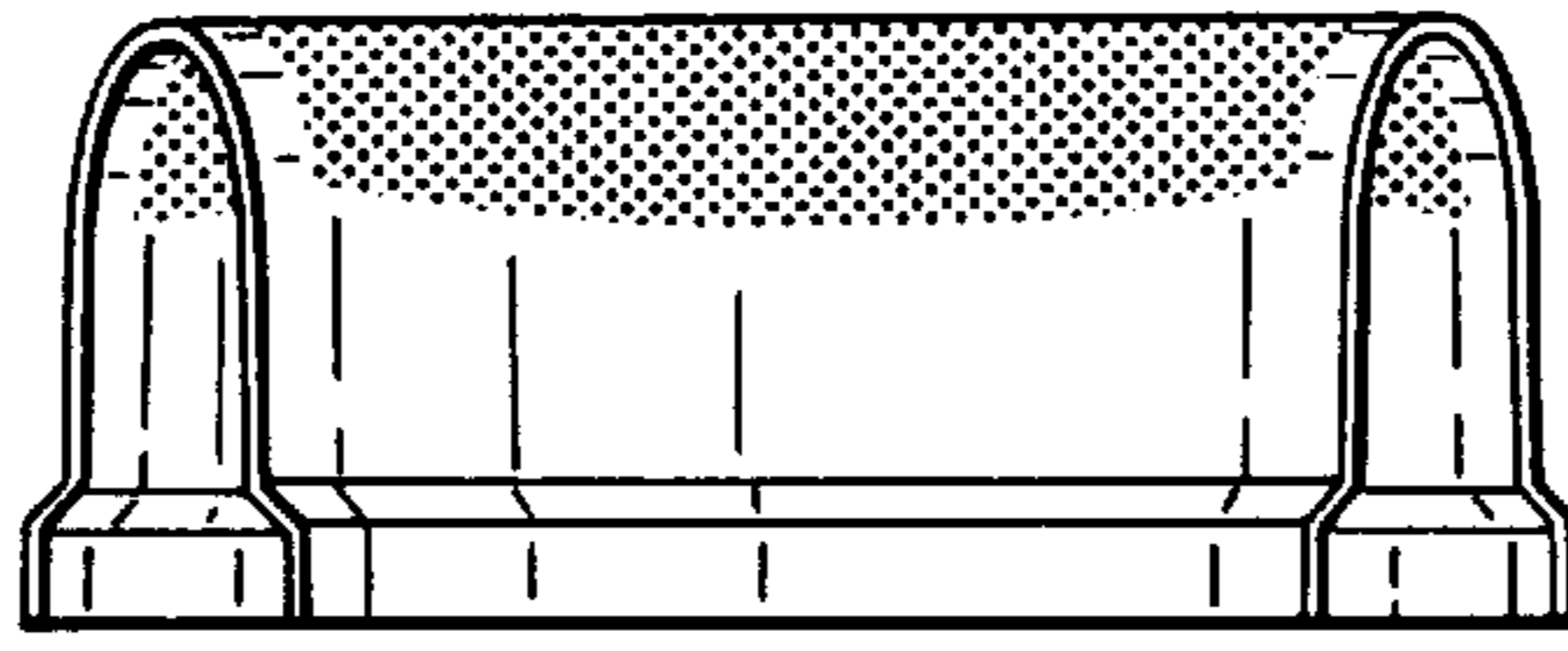


Fig. 3

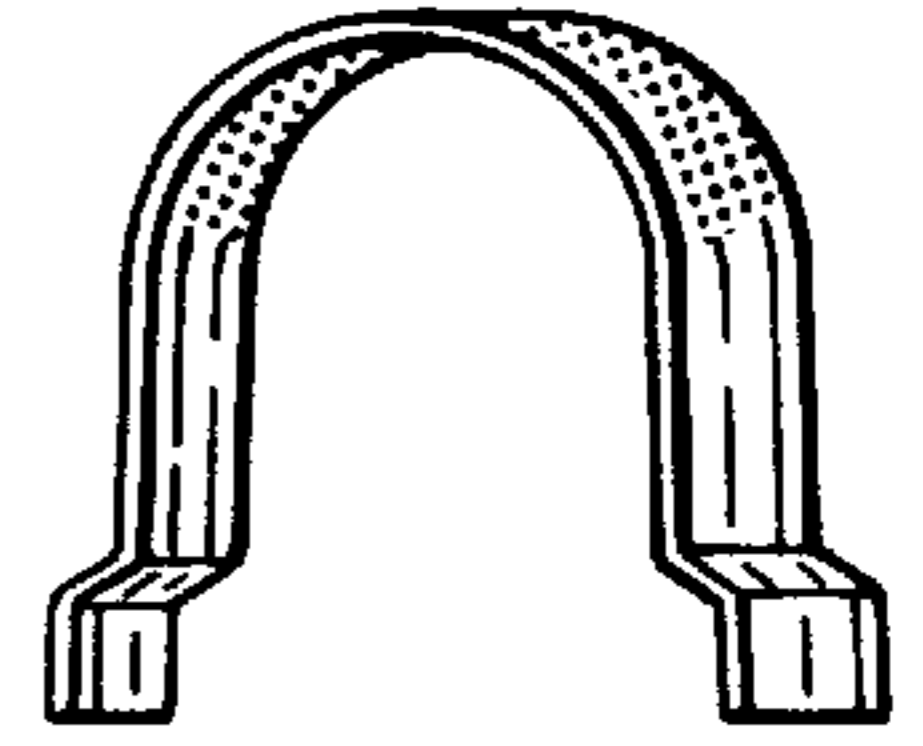


Fig. 7

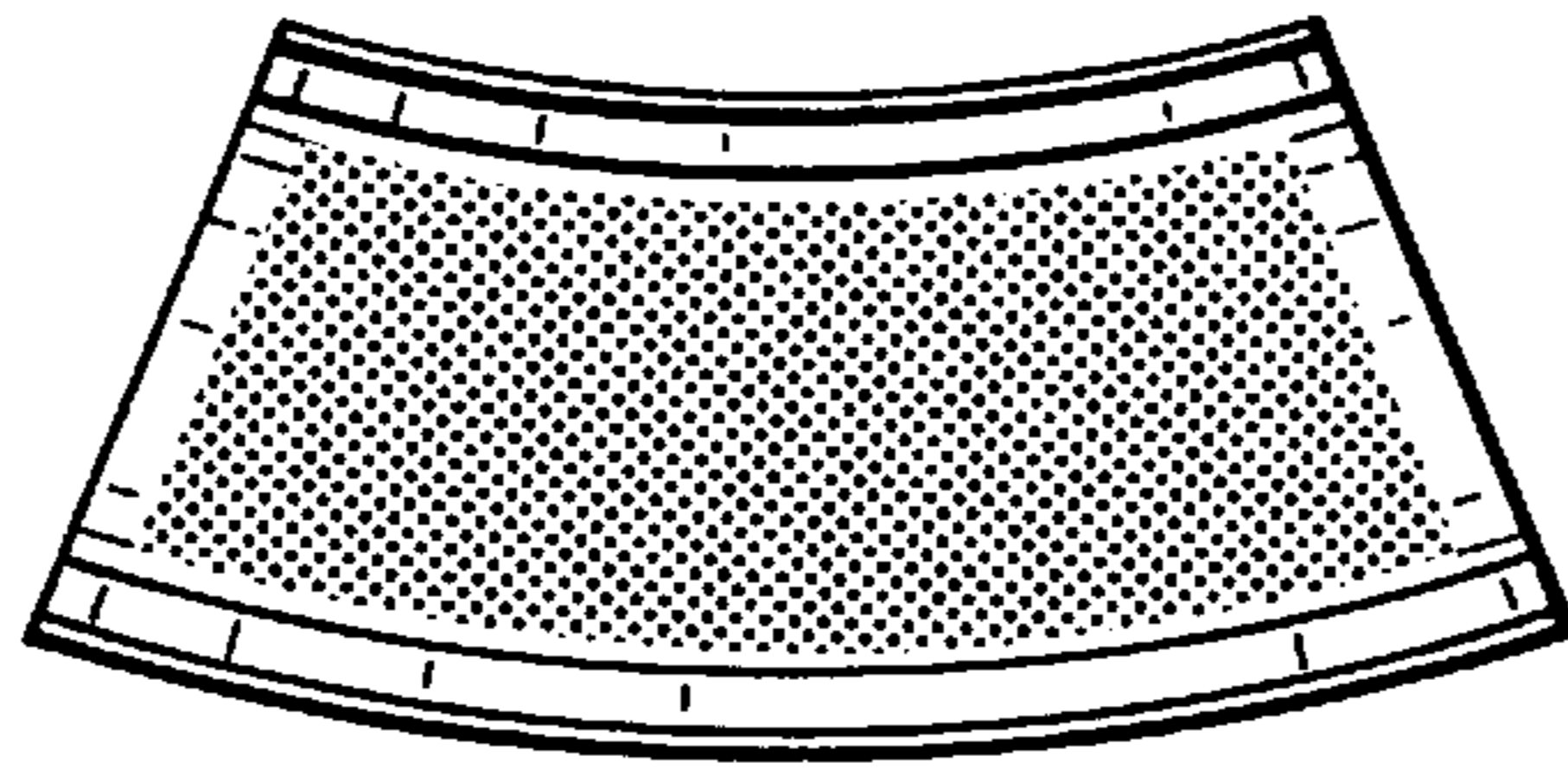
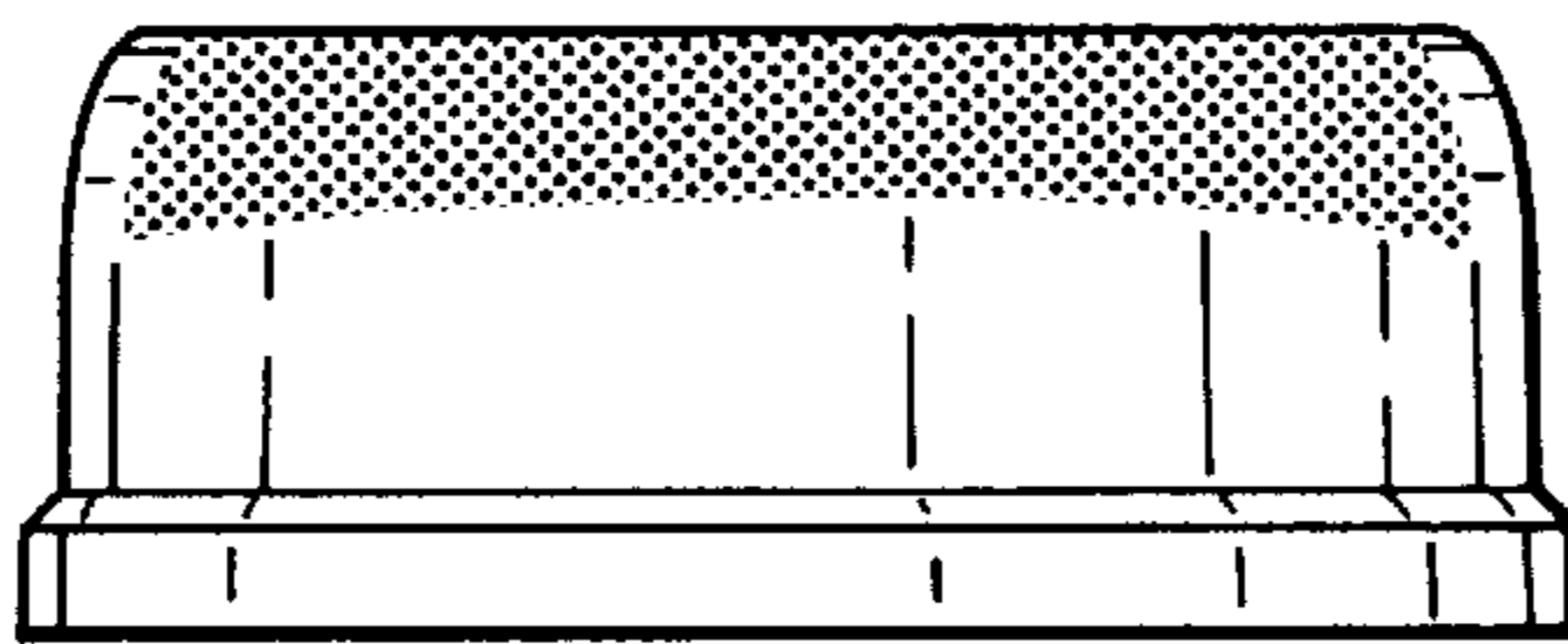


Fig. 5



UNITED STATES PATENT AND TRADEMARK OFFICE
CERTIFICATE OF CORRECTION

PATENT NO. : Des. 430,352
DATED : August 29, 2000
INVENTOR(S) : Charles C. Packham and Trevor John Crichton

Page 1 of 1

It is certified that error appears in the above-identified patent and that said Letters Patent is hereby corrected as shown below:

Title page,

Item [75], Inventors, please amend the second named inventor to read:

-- **Trevor John Crichton** --.

Signed and Sealed this

Fifth Day of August, 2003

A handwritten signature in black ink, appearing to read "James E. Rogan", written over a horizontal line.

JAMES E. ROGAN
Director of the United States Patent and Trademark Office