



US00D430349S

United States Patent [19] Mattis

[11] Patent Number: Des. 430,349

[45] Date of Patent: ** Aug. 29, 2000

[54] HAIR DRYER HOOD

[75] Inventor: Hans-Werner Mattis, Darmstadt, Germany

[73] Assignee: Wella Aktiengesellschaft, Darmstadt, Germany

[**] Term: 14 Years

[21] Appl. No.: 29/111,993

[22] Filed: Oct. 7, 1999

[30] Foreign Application Priority Data

Apr. 10, 1999 [DE] Germany 499 03 606

[51] LOC (7) Cl. 28-03

[52] U.S. Cl. D28/19

[58] Field of Search D28/17, 18, 19;
34/80, 96, 97, 98, 99, 100, 283; 132/272,
212

[56] References Cited

U.S. PATENT DOCUMENTS

- D. 208,384 8/1967 Rakoey D28/17
- D. 240,467 7/1976 Steinkamp D28/19
- D. 247,379 2/1978 Hashino D28/17

- D. 339,880 9/1993 Greubel D28/19
- 2,619,735 12/1952 Jacobowitz 34/100 X
- 2,662,303 12/1953 Myers 34/99 X
- 2,966,550 12/1960 Goldberg et al. 34/283
- 3,362,086 1/1968 McLean 34/99
- 3,420,247 1/1969 Seagrave 132/212
- 3,717,936 2/1973 Tolmie et al. 34/99

Primary Examiner—Paula A. Mortimer
Attorney, Agent, or Firm—Michael J. Striker

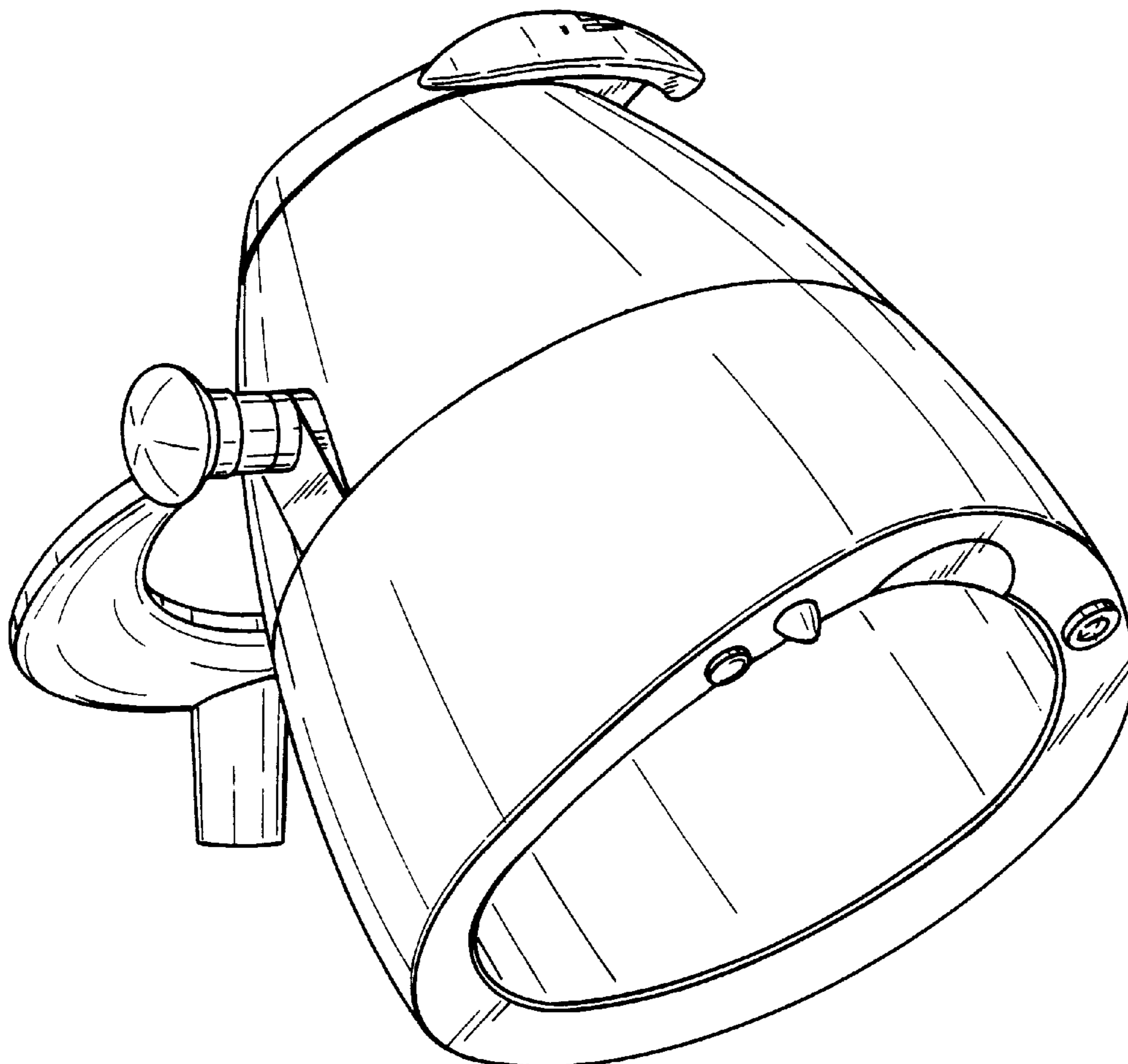
[57] CLAIM

The ornamental design for a hair dryer hood, as shown and described.

DESCRIPTION

FIG. 1 is a perspective view of a hair dryer hood showing my new design;
 FIG. 2 is a front view thereof;
 FIG. 3 is a bottom perspective view thereof;
 FIG. 4 is a top perspective view thereof;
 FIG. 5 is a rear view thereof;
 FIG. 6 is a side view thereof;
 FIG. 7 is a side view opposite the side of FIG. 6; and,
 FIG. 8 is a top perspective view thereof.
 The broken lines in FIG. 8 are for illustrative purposes only and forms no part of the claimed design.

1 Claim, 5 Drawing Sheets



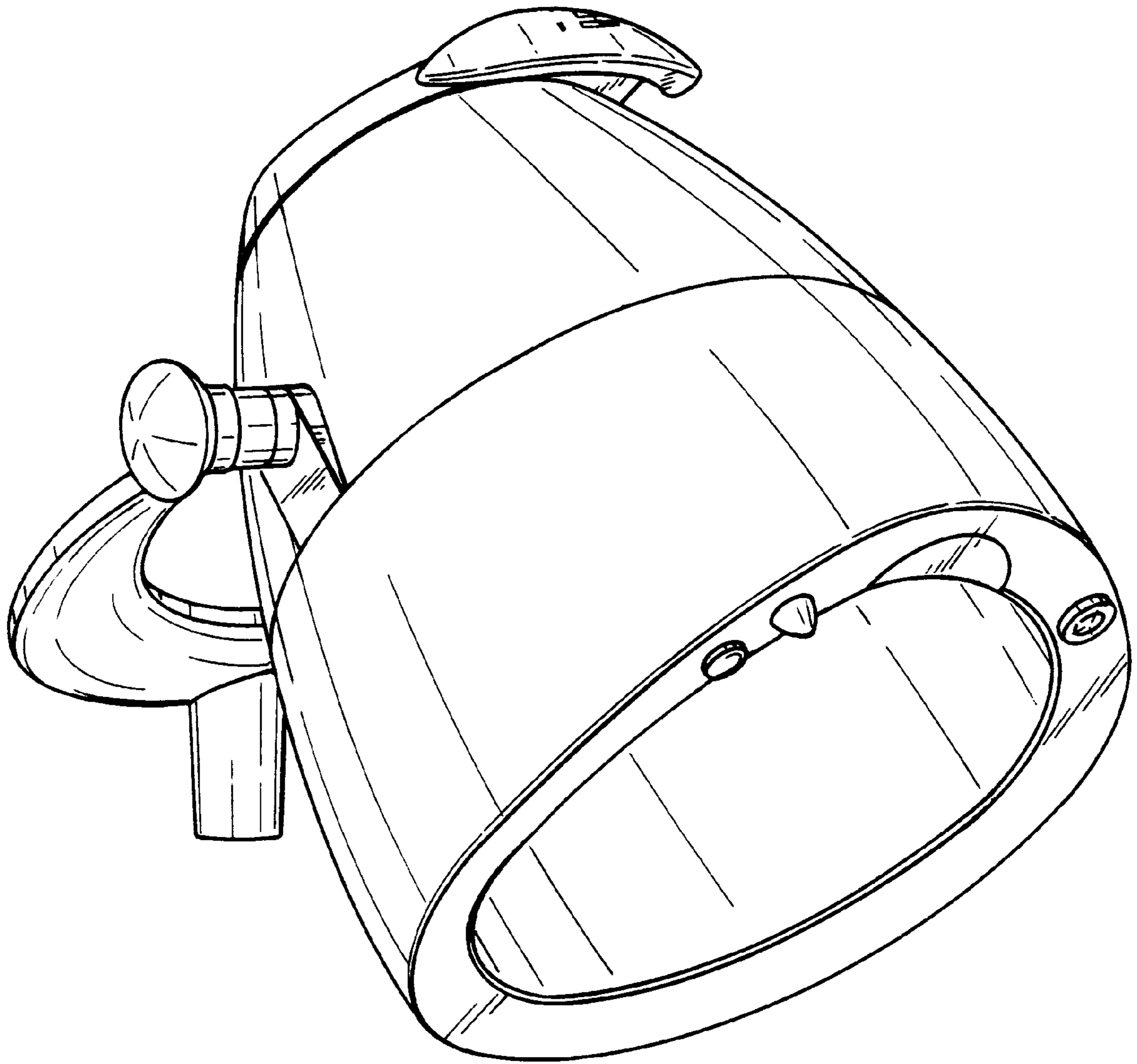


FIG. 1

FIG. 2

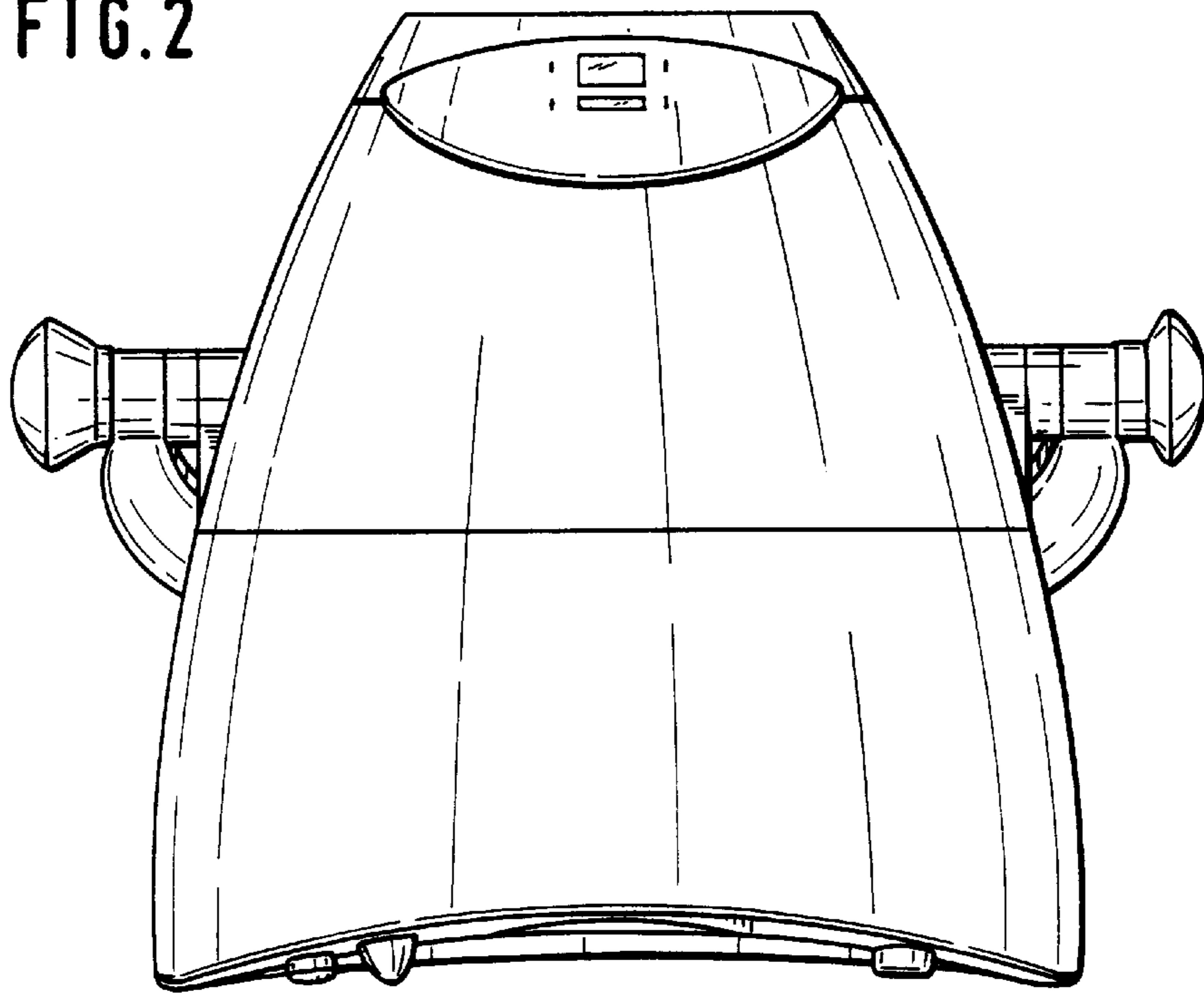


FIG. 3

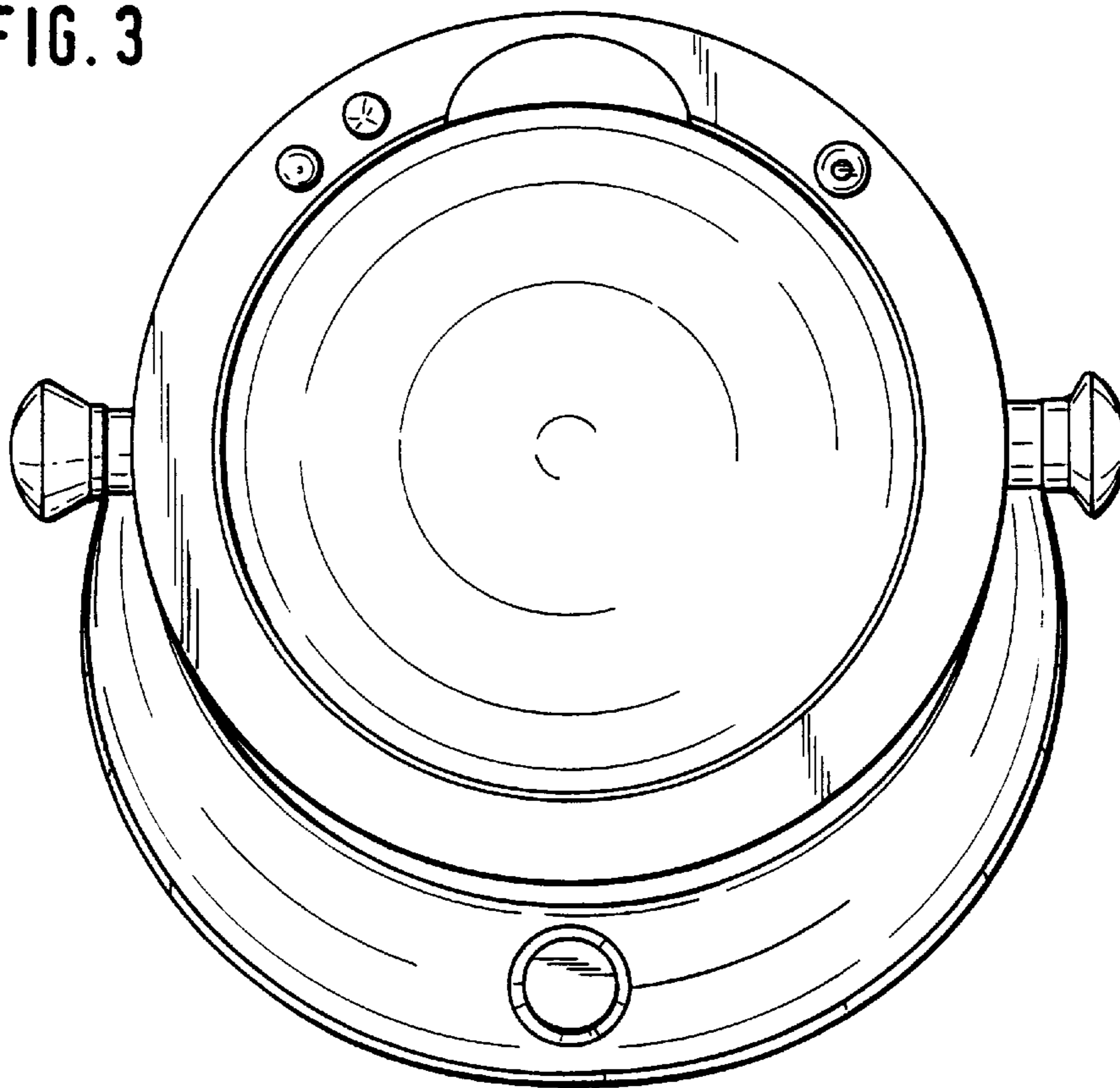


FIG. 4

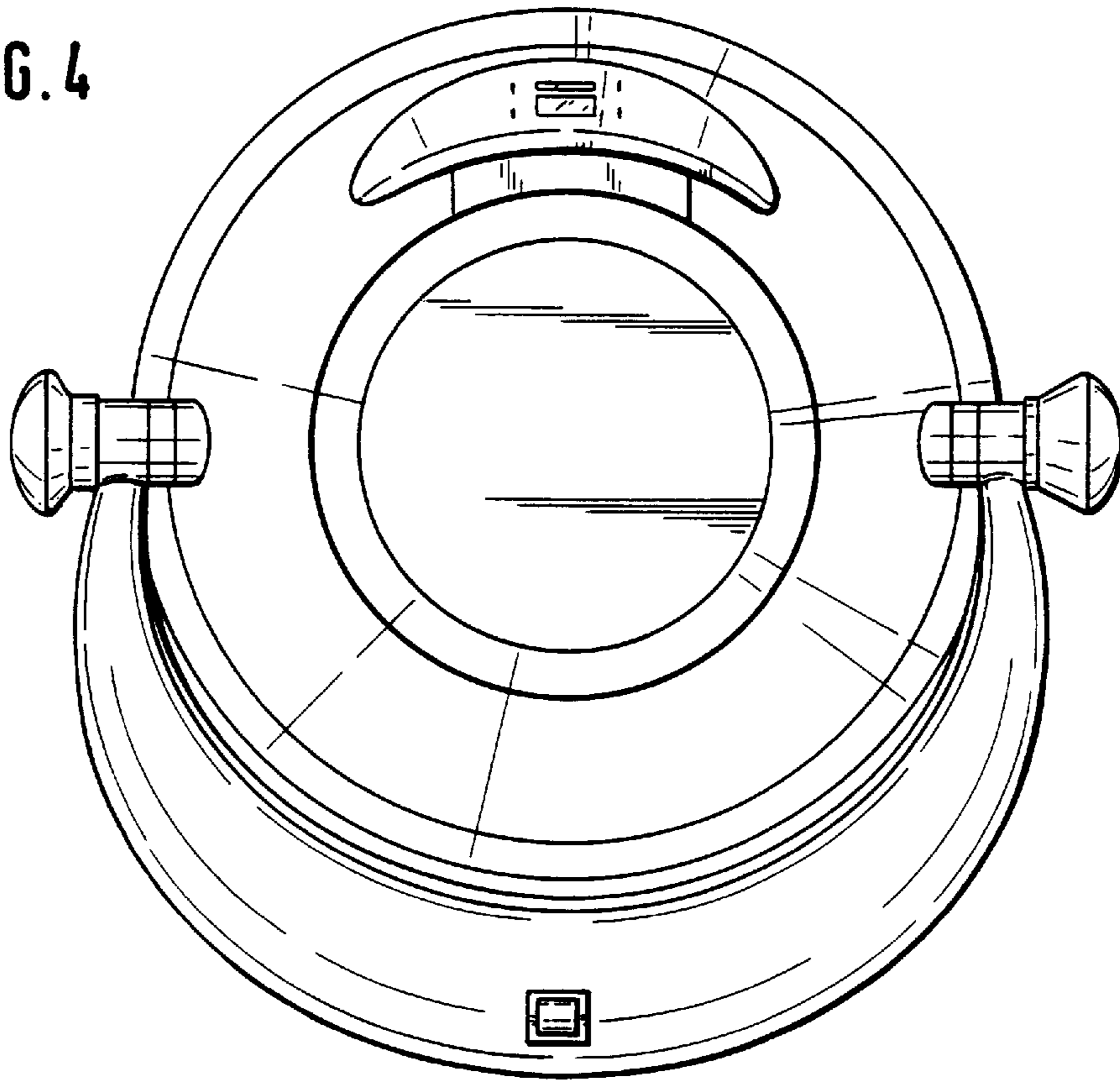
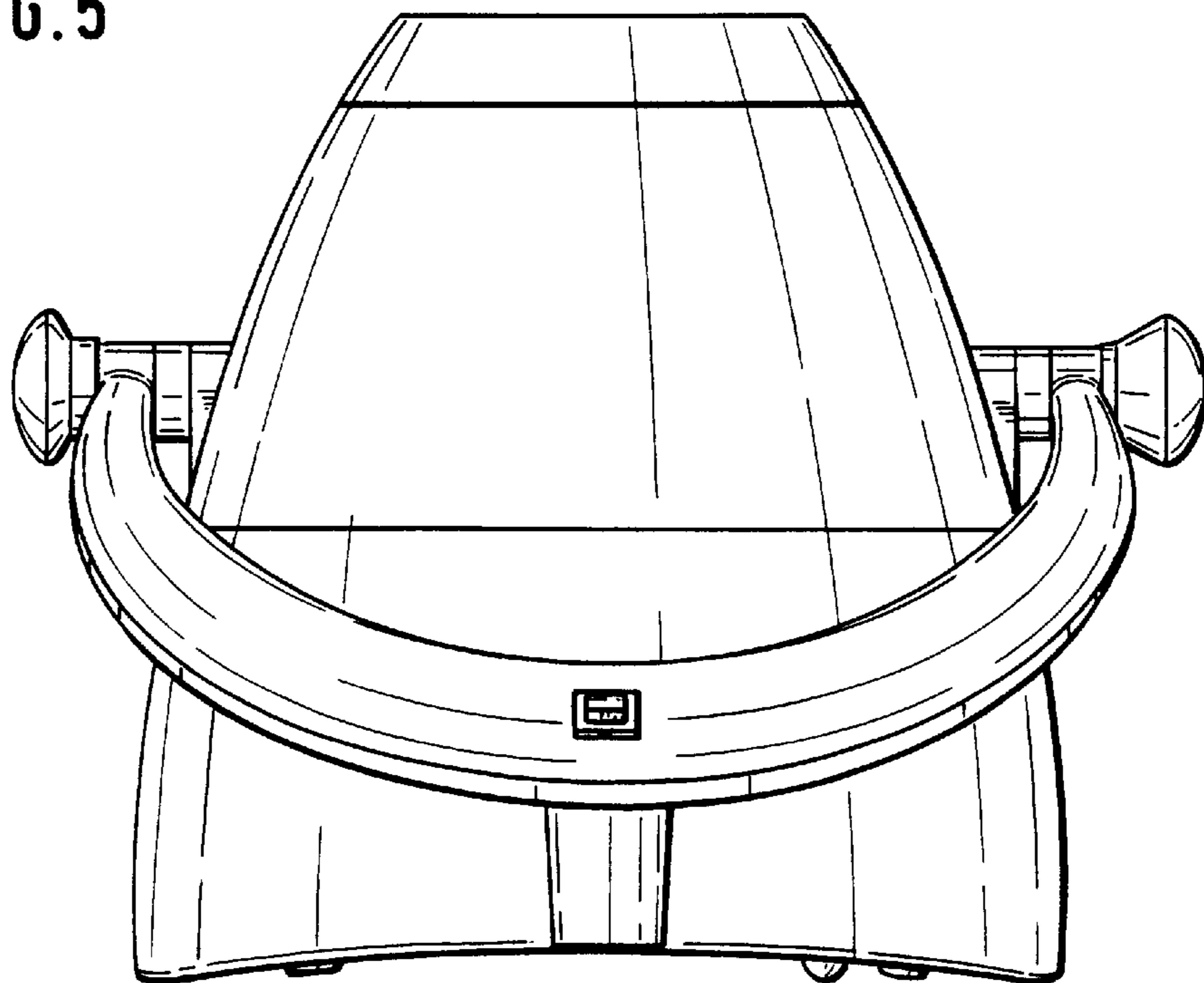


FIG. 5



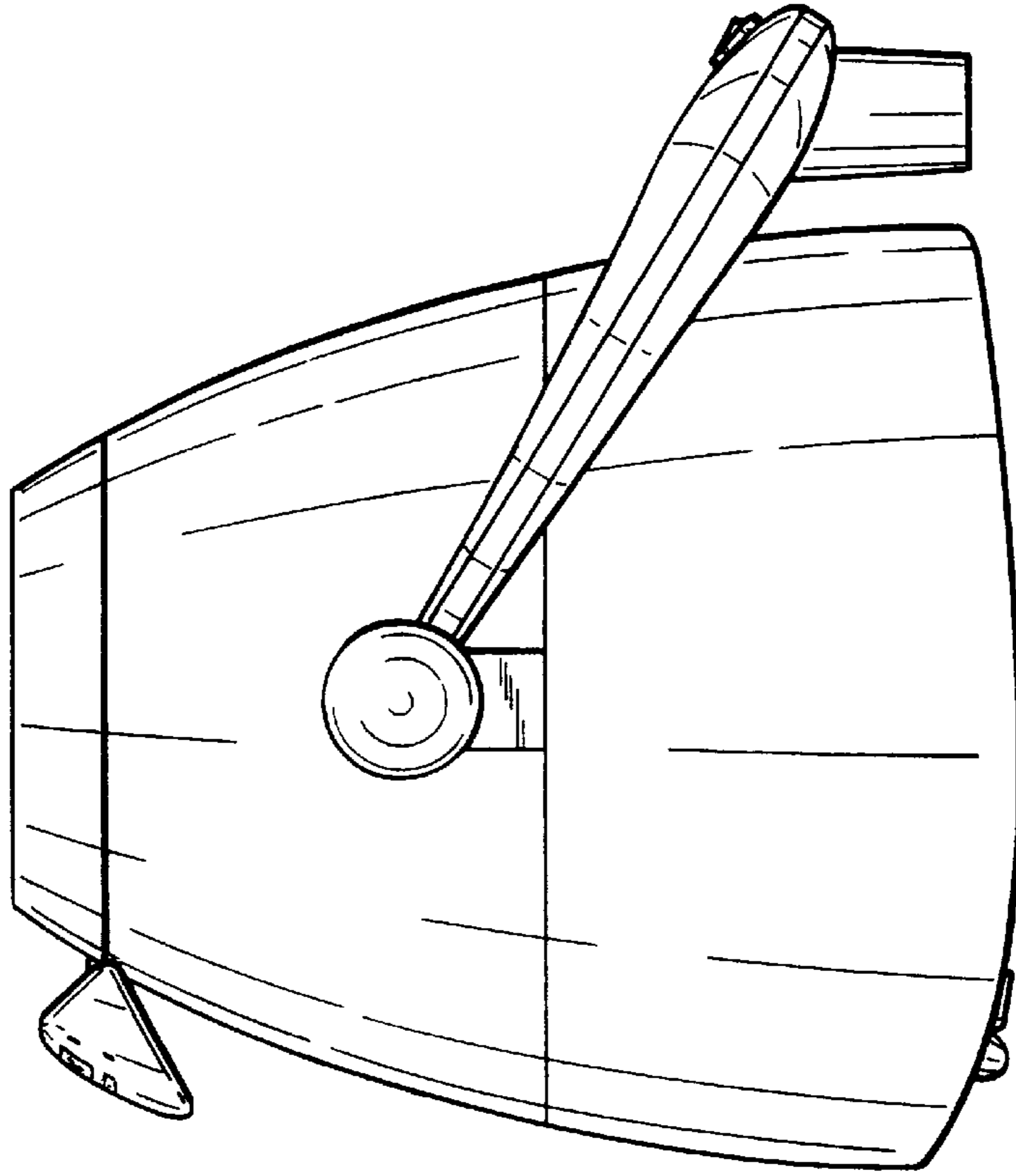


FIG. 7

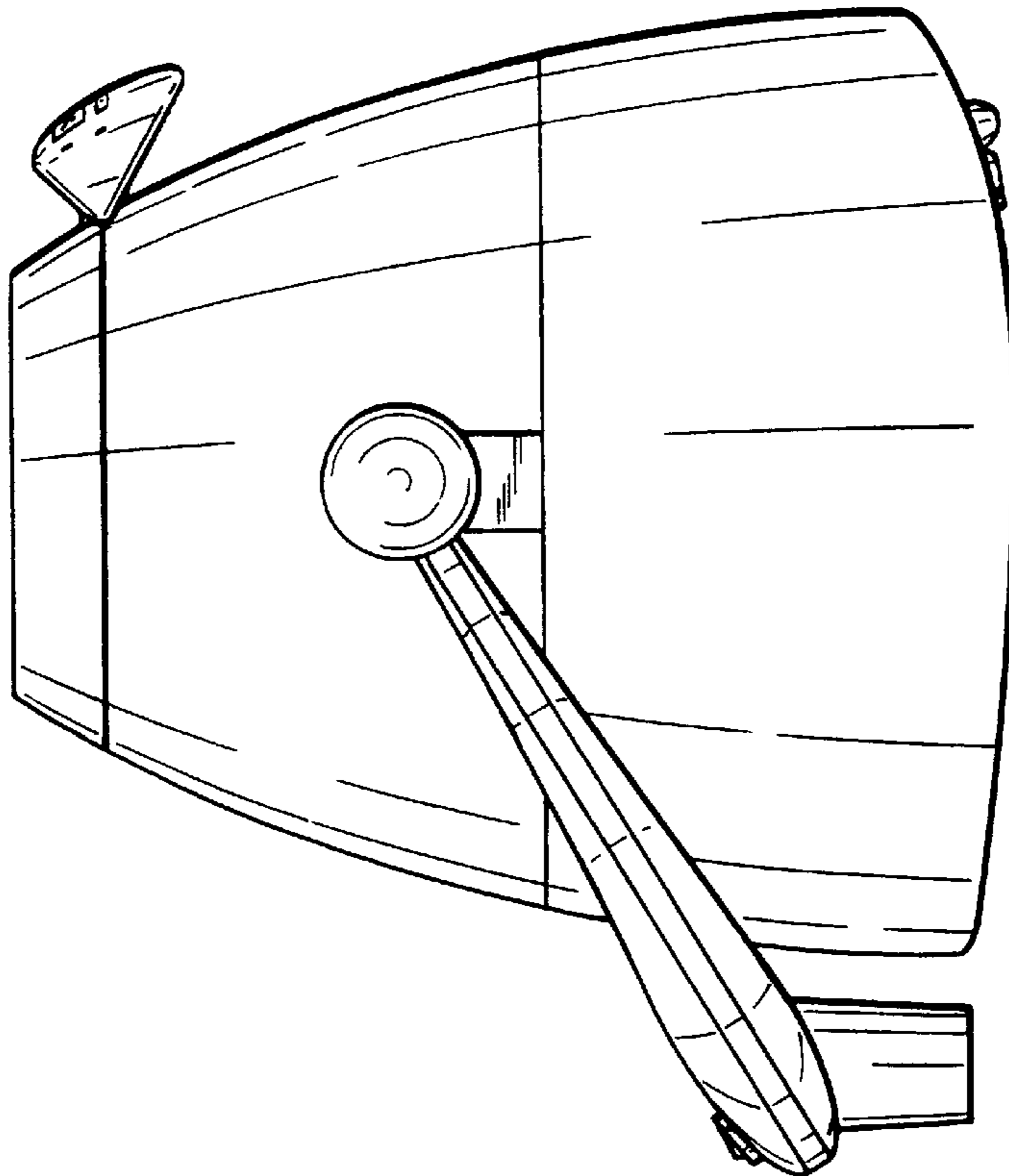


FIG. 6

FIG. 8

