



US00D430337S

United States Patent [19] Hsieh

[11] Patent Number: Des. 430,337

[45] Date of Patent: ** Aug. 29, 2000

[54] FLOOR LAMP

[75] Inventor: Freda Hsieh, Taichung, Taiwan

[73] Assignee: Whole Bright Industries Limited,
Chai Wan, The Hong Kong Special
Administrative Region of the People's
Republic of China

[**] Term: 14 Years

[21] Appl. No.: 29/115,900

[22] Filed: Dec. 23, 1999

[51] LOC (7) Cl. 26-03

[52] U.S. Cl. D26/110

[58] Field of Search D26/93-112; 362/410-414

[56] References Cited

U.S. PATENT DOCUMENTS

- D. 112,457 12/1938 Bohme D26/108
- D. 407,522 3/1999 Hsu D26/108

OTHER PUBLICATIONS

Home Lighting & Accessories, p. 177, Lamp (A), left side of page, Feb. 1997.

Primary Examiner—Lisa Lichtenstein
Attorney, Agent, or Firm—Rosenberg, Klein & Lee

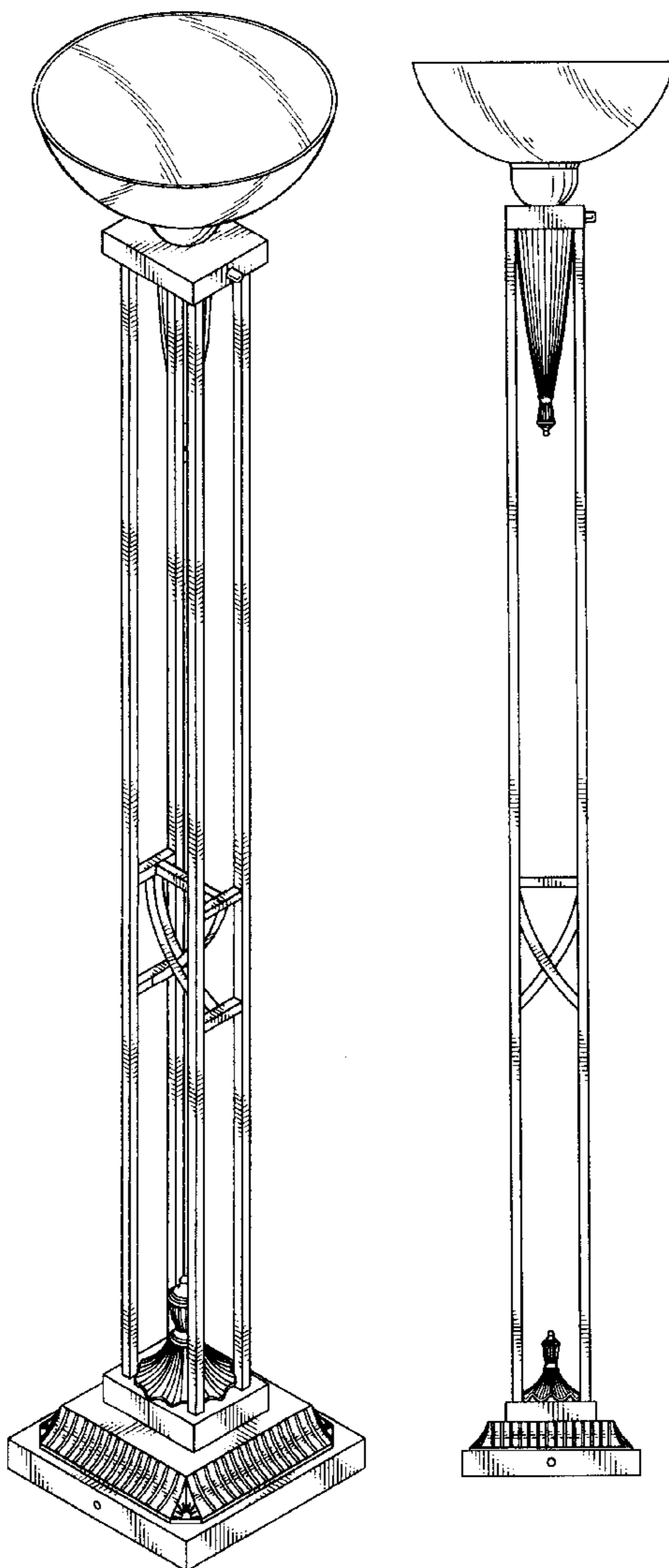
[57] CLAIM

The ornamental design for a floor lamp, as shown and described.

DESCRIPTION

FIG. 1 is a perspective view of floor lamp showing my new design;
FIG. 2 is a front elevation view thereof;
FIG. 3 is a rear elevation view thereof;
FIG. 4 is a left side elevation view thereof;
FIG. 5 is a right side elevation view thereof;
FIG. 6 is a top plan view thereof; and,
FIG. 7 is a bottom plan view thereof.

1 Claim, 4 Drawing Sheets



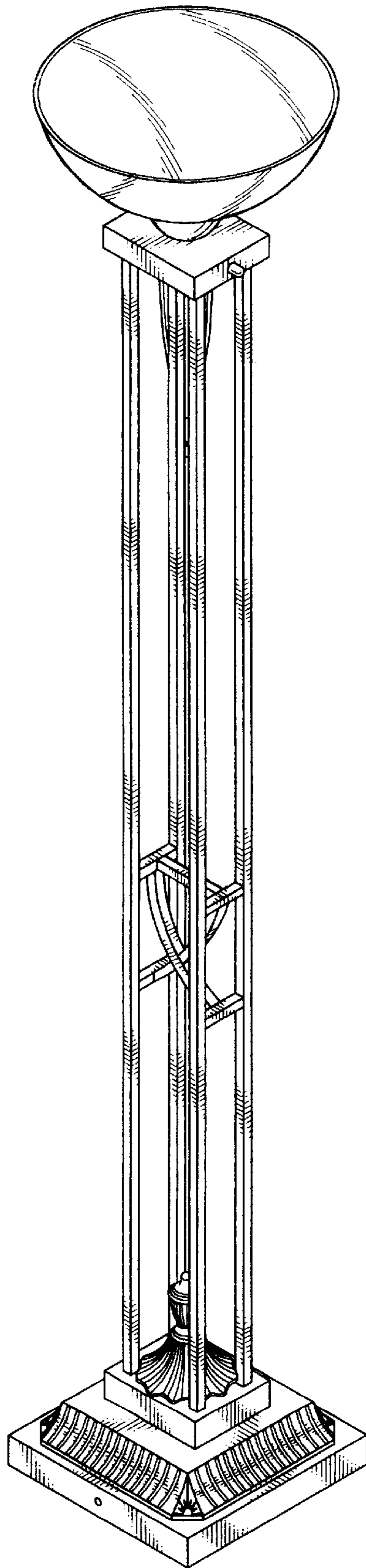


FIG. 1

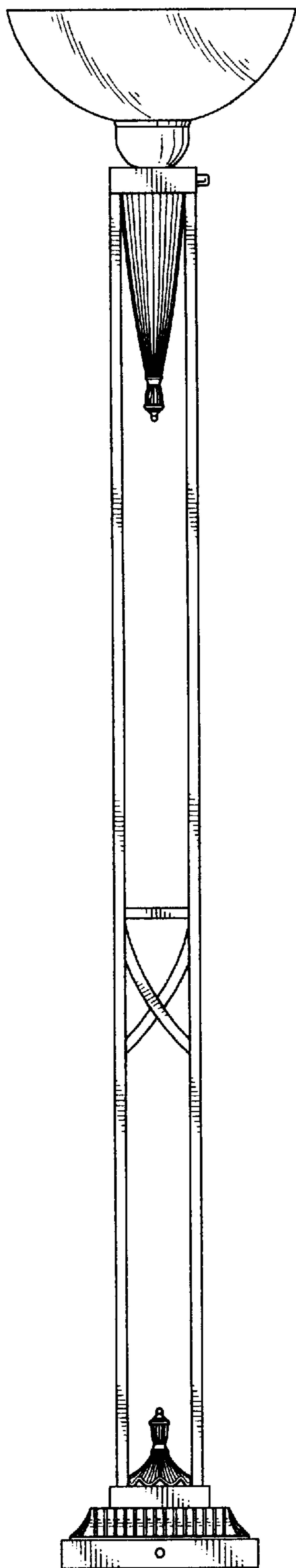


FIG. 2

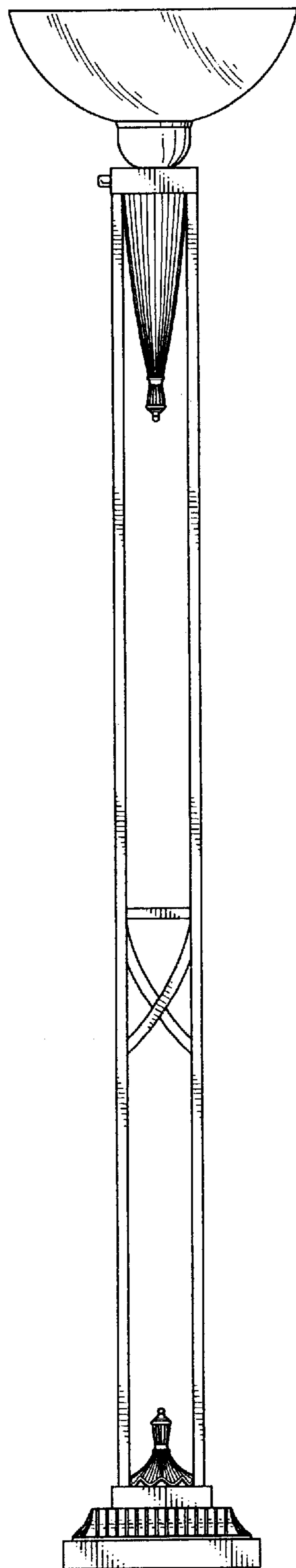


FIG. 3

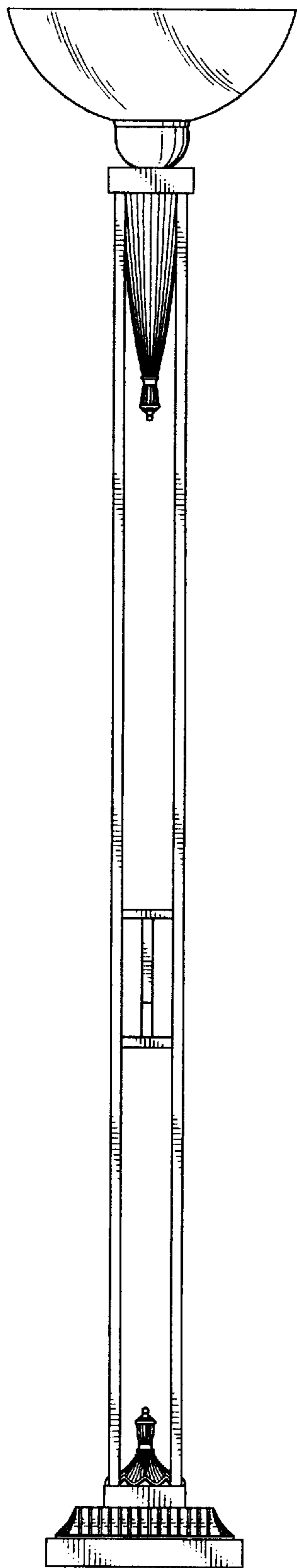


FIG. 4

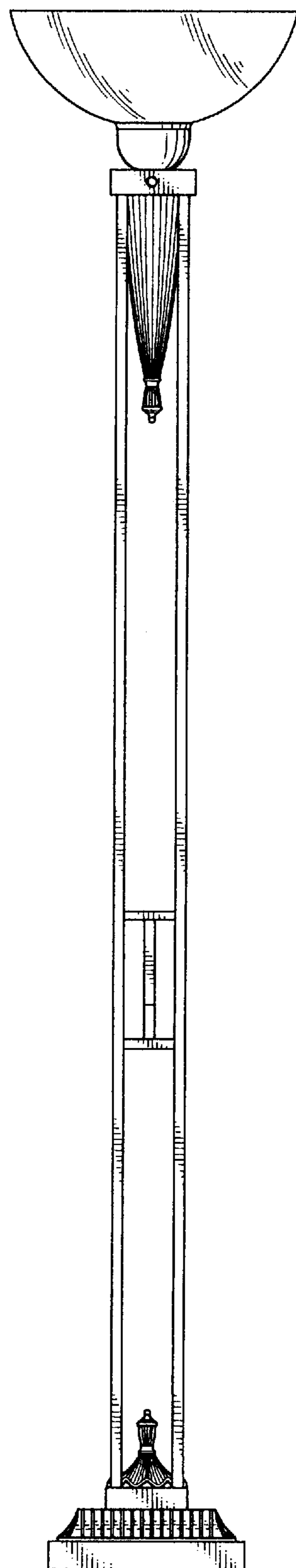


FIG. 5

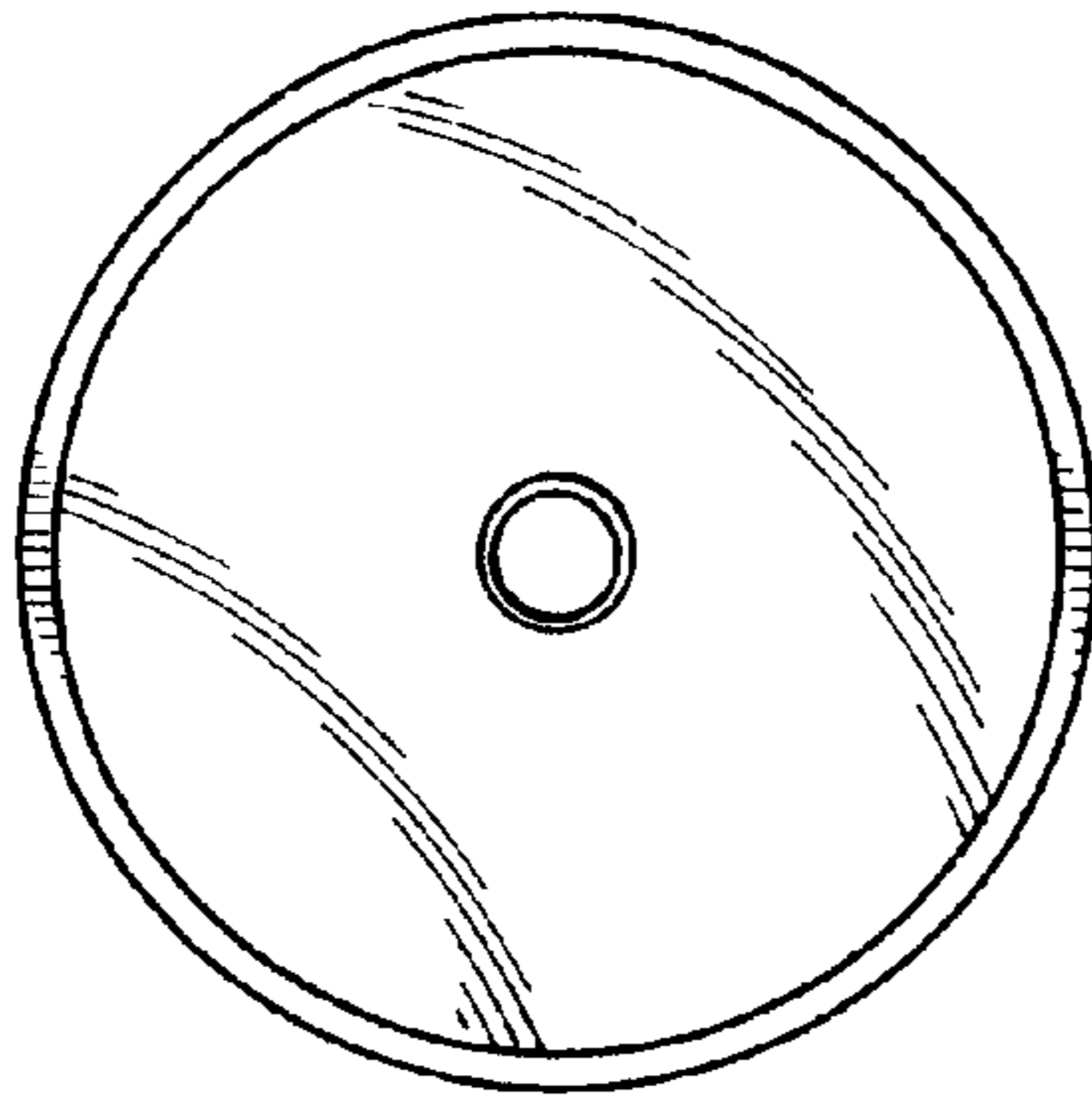


FIG. 6

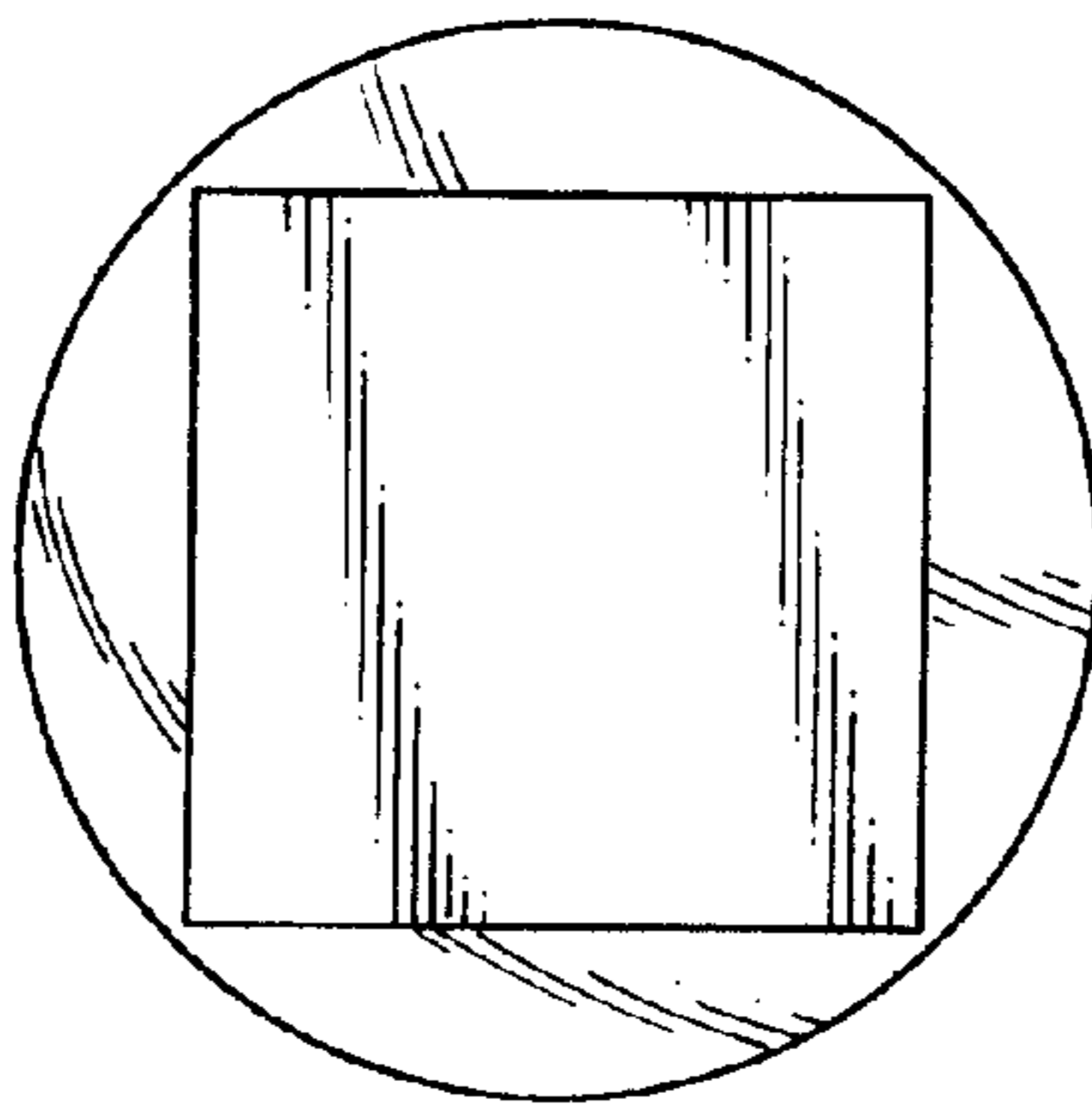


FIG. 7