



US00D430335S

United States Patent [19]

Hsu

[11] Patent Number: Des. 430,335

[45] Date of Patent: ** Aug. 29, 2000

[54] TABLE LAMP

[75] Inventor: Keen Hsu, Taichung, Taiwan

[73] Assignee: Bright Yin Huey Co., Ltd., Taichung, Taiwan

[**] Term: 14 Years

[21] Appl. No.: 29/104,532

[22] Filed: May 6, 1999

[51] LOC (7) Cl. 26-03

[52] U.S. Cl. D26/104

[58] Field of Search D26/93-112; 362/410-414

[56] **References Cited**

PUBLICATIONS

F. Ramond Cat., Table Lamp (A), bottom right side of page, ©1992.

Home Lighting & Accessories, p. 41, Lamp (B), bottom left side of page.

Primary Examiner—Lisa Lichtenstein
Attorney, Agent, or Firm—Rosenberg, Klein & Lee

[57] **CLAIM**

The ornamental design for a table lamp, as shown and described.

DESCRIPTION

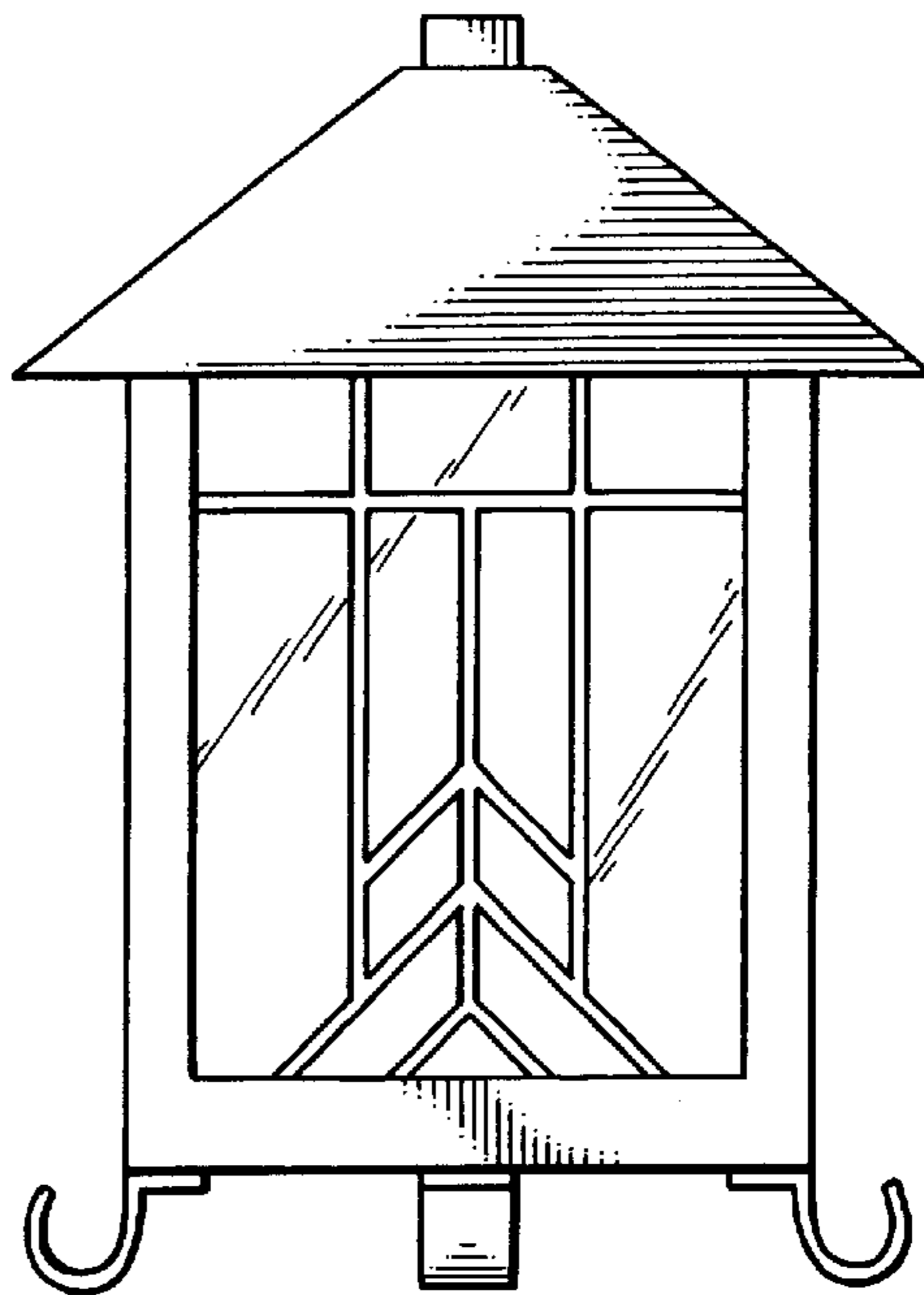
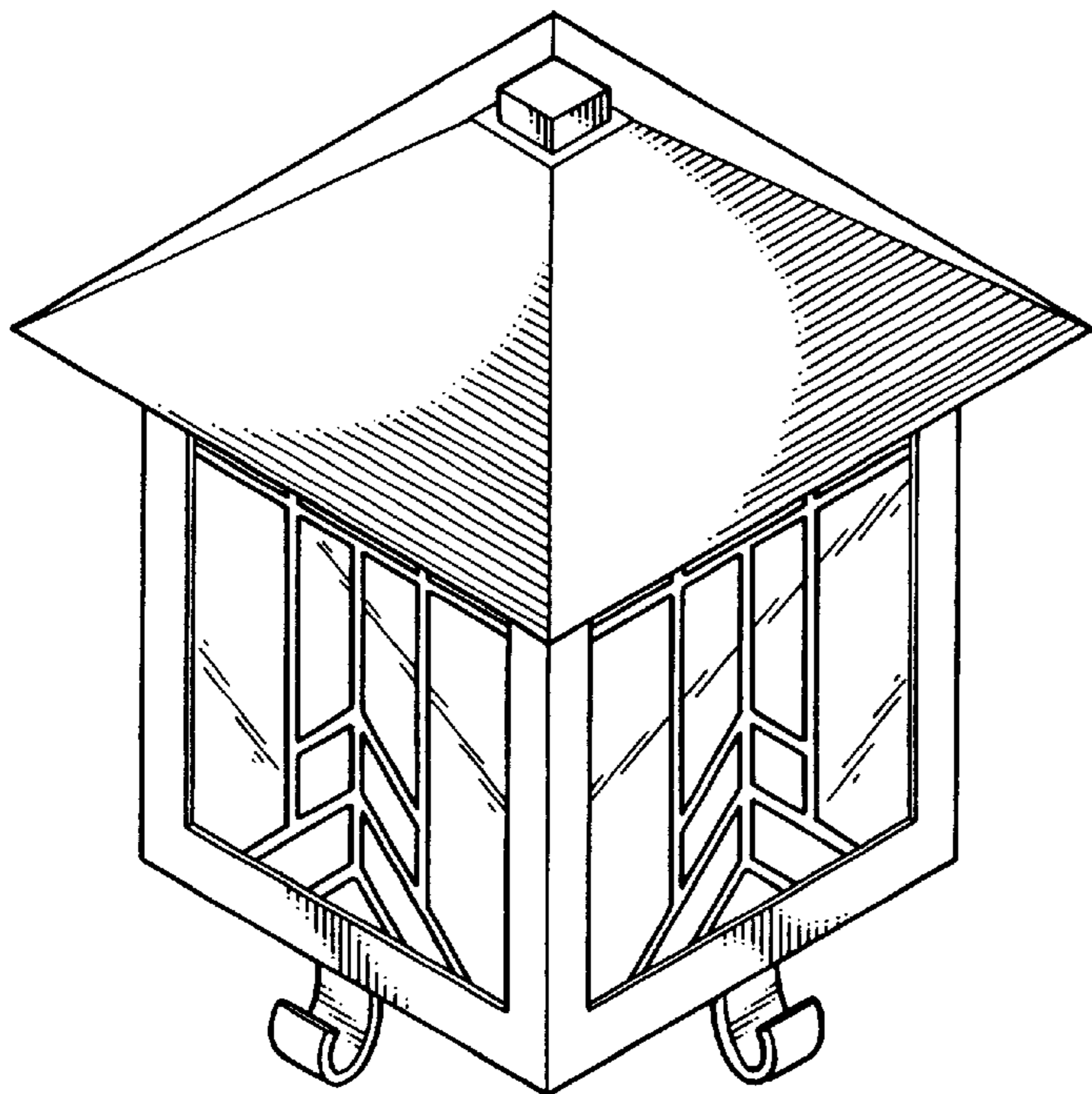
FIG. 1 is a perspective view of a table lamp showing my new design;

FIG. 2 is a front elevation view thereof, the rear, the left and the right side elevation view thereof being identical in appearance;

FIG. 3 is a top plan view thereof; and,

FIG. 4 is a bottom plan view thereof.

1 Claim, 3 Drawing Sheets



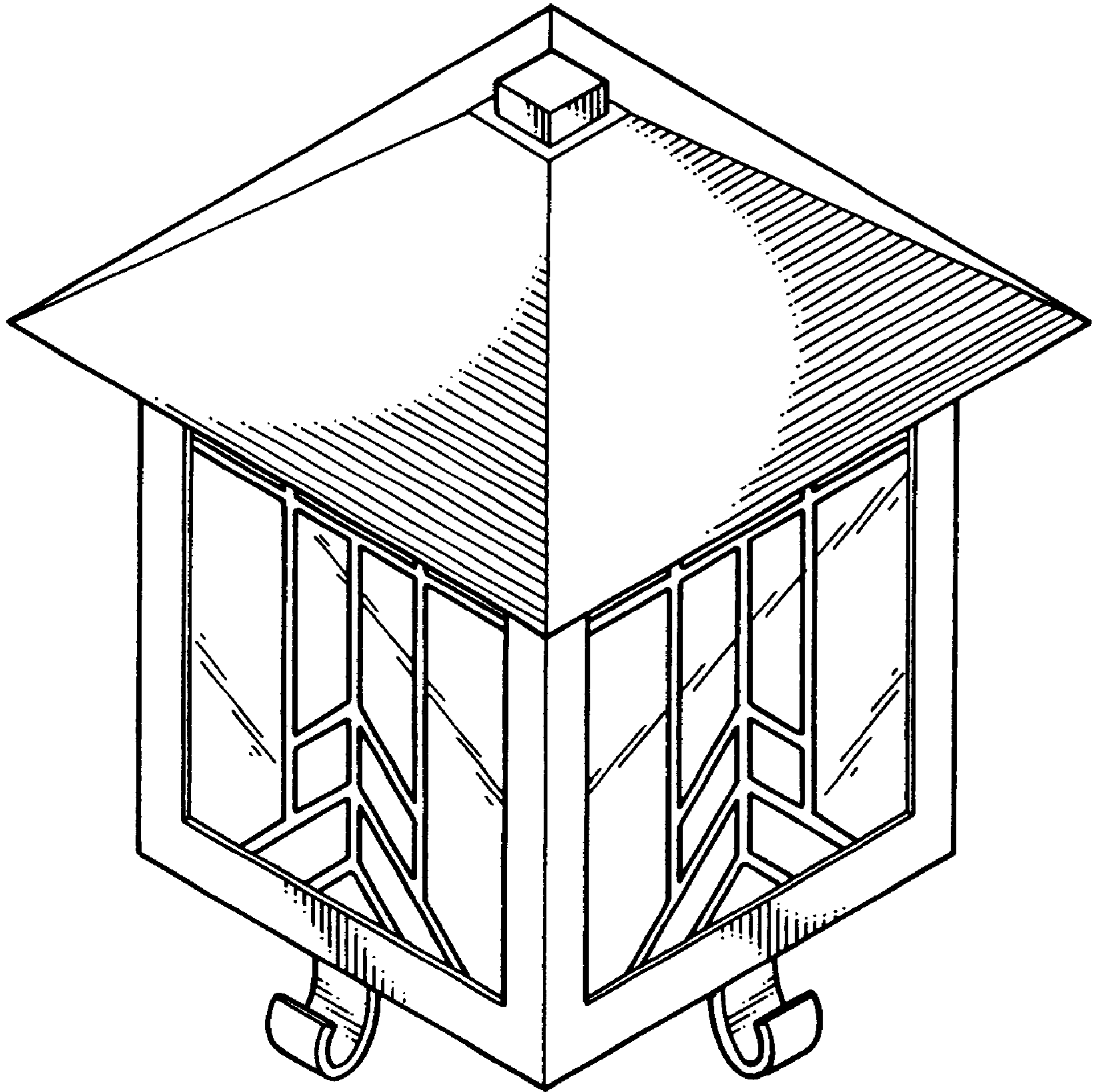


FIG. 1

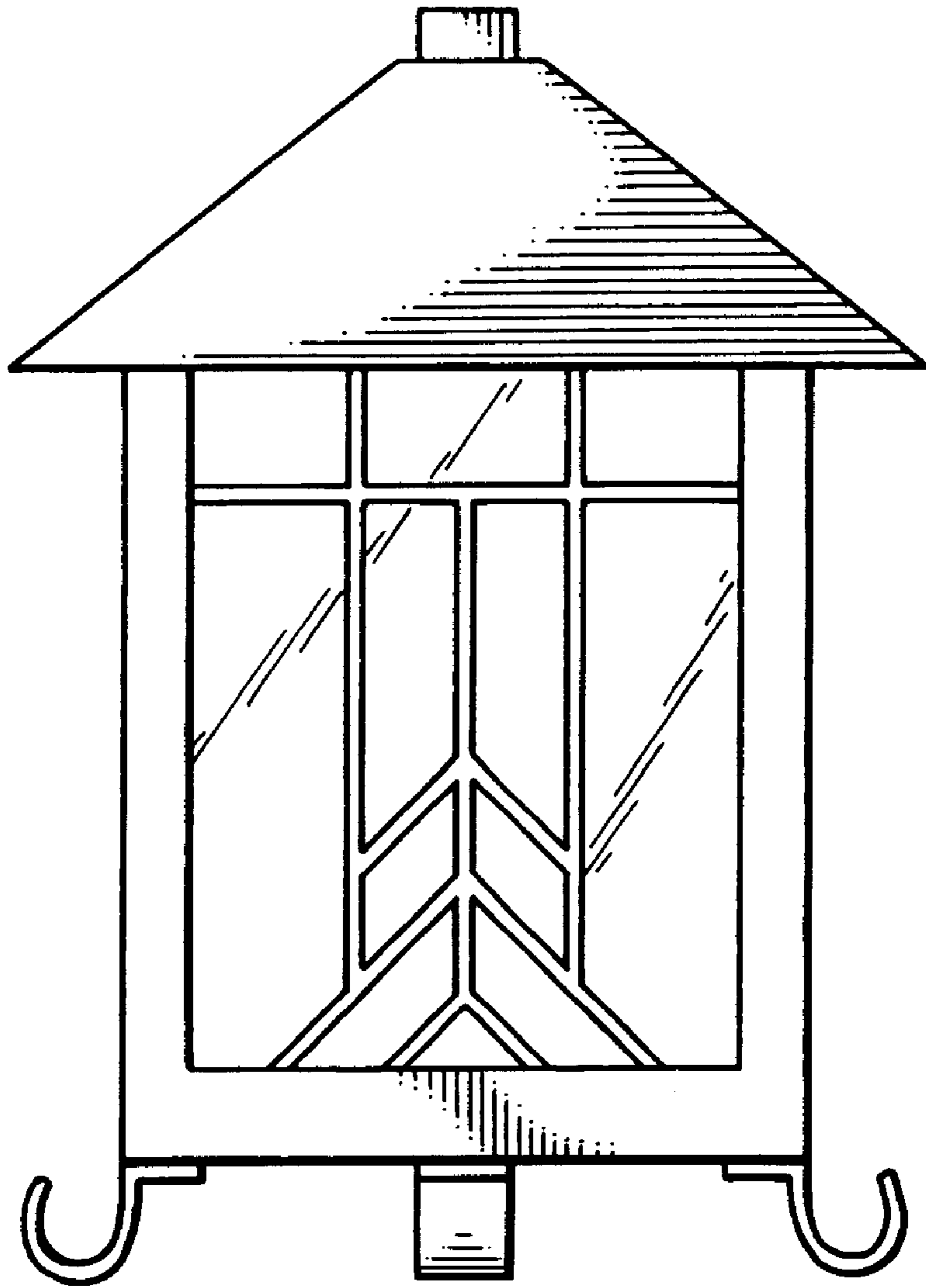


FIG. 2

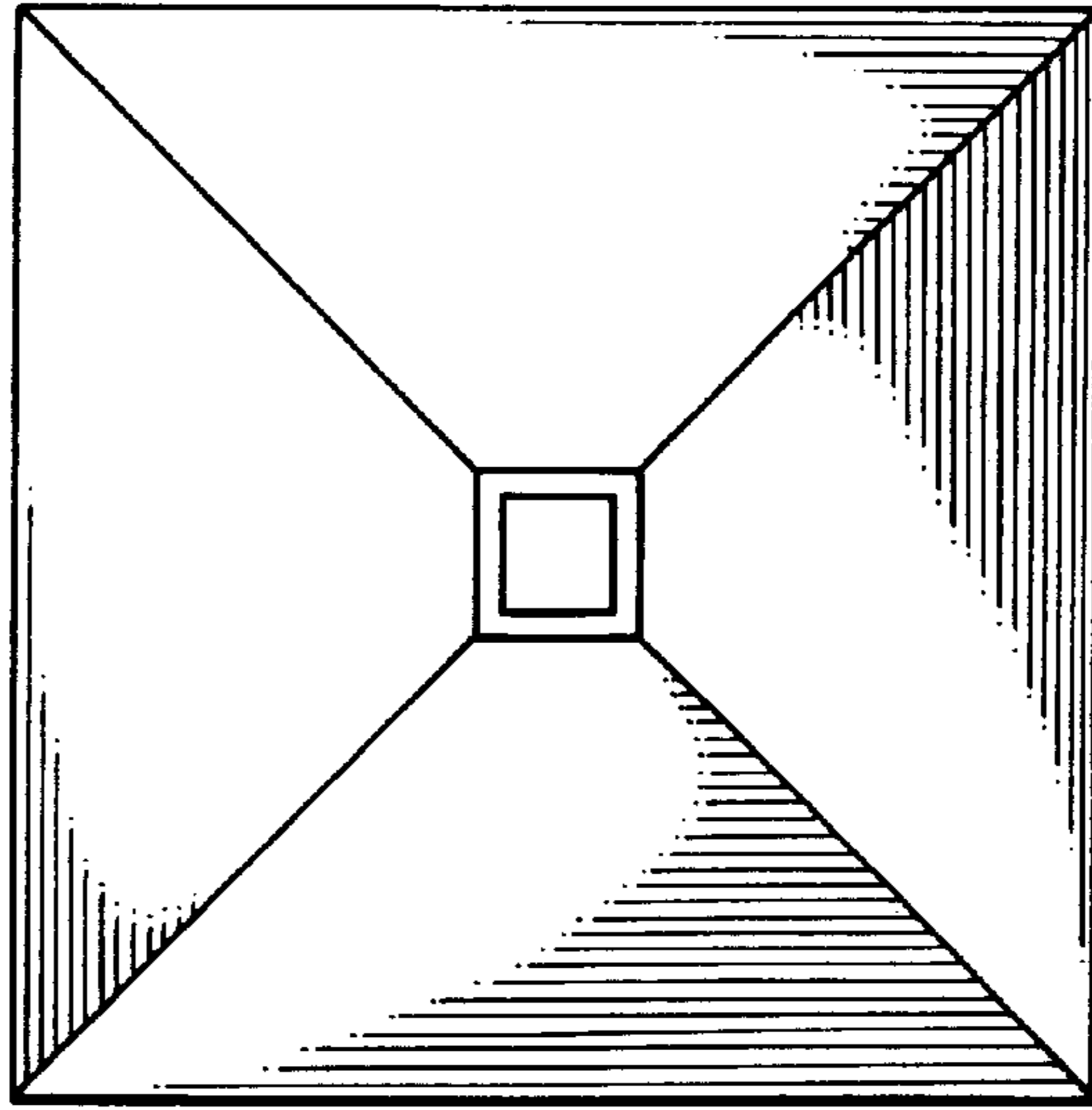


FIG. 3

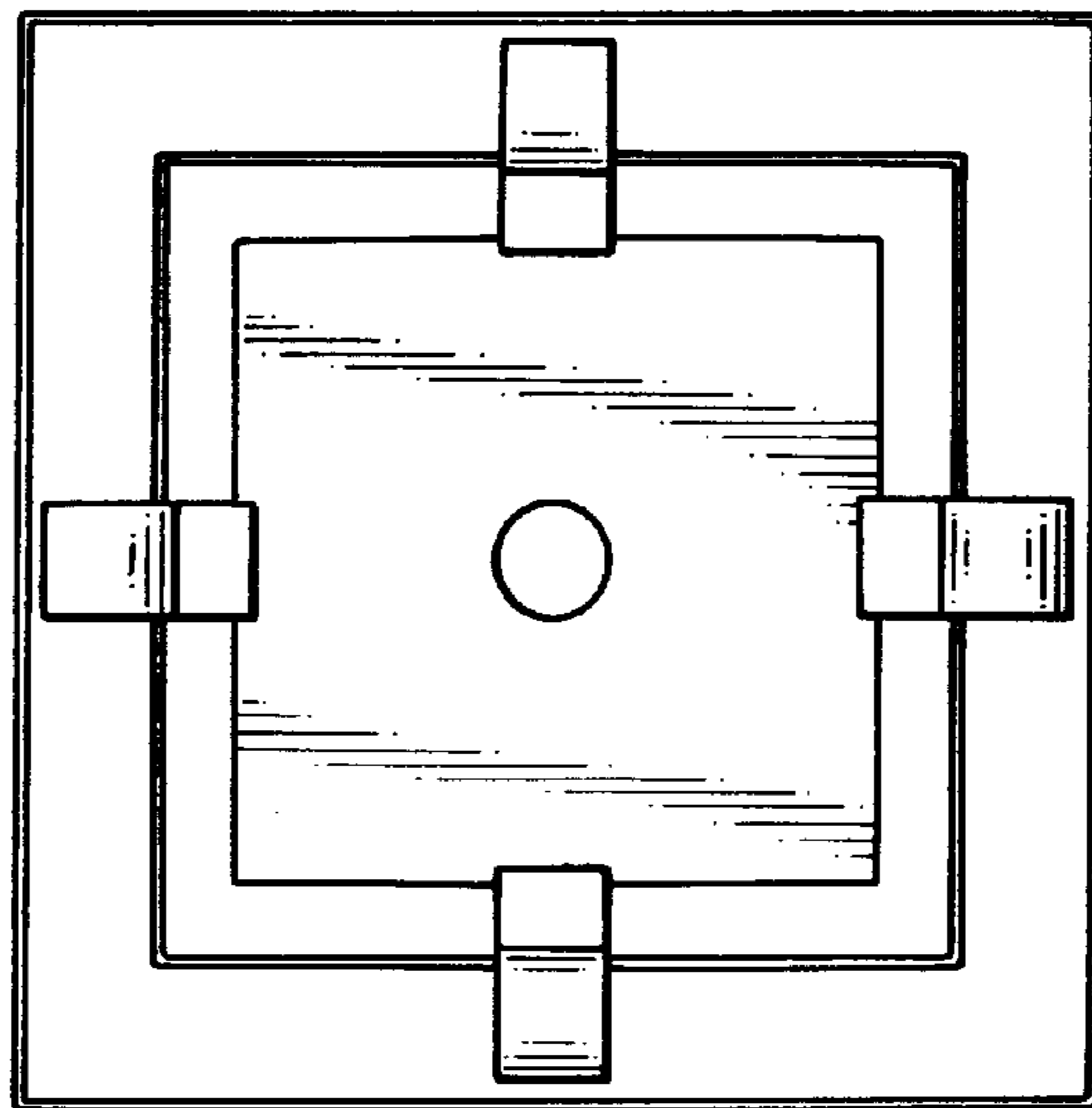


FIG. 4