



US00D430331S

United States Patent [19]

Bleisch

[11] Patent Number: Des. 430,331

[45] Date of Patent: ** Aug. 29, 2000

[54] CHANDELIER

[75] Inventor: Nelson J. Bleisch, Bratenahl, Ohio

[73] Assignee: The L.D. Kichler Co., Cleveland, Ohio

[**] Term: 14 Years

[21] Appl. No.: 29/116,881

[22] Filed: Jan. 12, 2000

[51] LOC (7) Cl. 26-05

[52] U.S. Cl. D26/91; D26/142

[58] Field of Search D26/72, 80-92,
D26/142, 143, 149, 156; 362/147, 404-408

[56] **References Cited**

U.S. PATENT DOCUMENTS

- D. 330,948 11/1992 Glassman D26/91
- D. 384,432 9/1997 Octavio D26/84

D. 391,011 2/1998 Von Kluck D26/142

Primary Examiner—Susan J. Lucas
Attorney, Agent, or Firm—Watts, Hoffmann, Fisher & Heinke, Co., L. P. A.

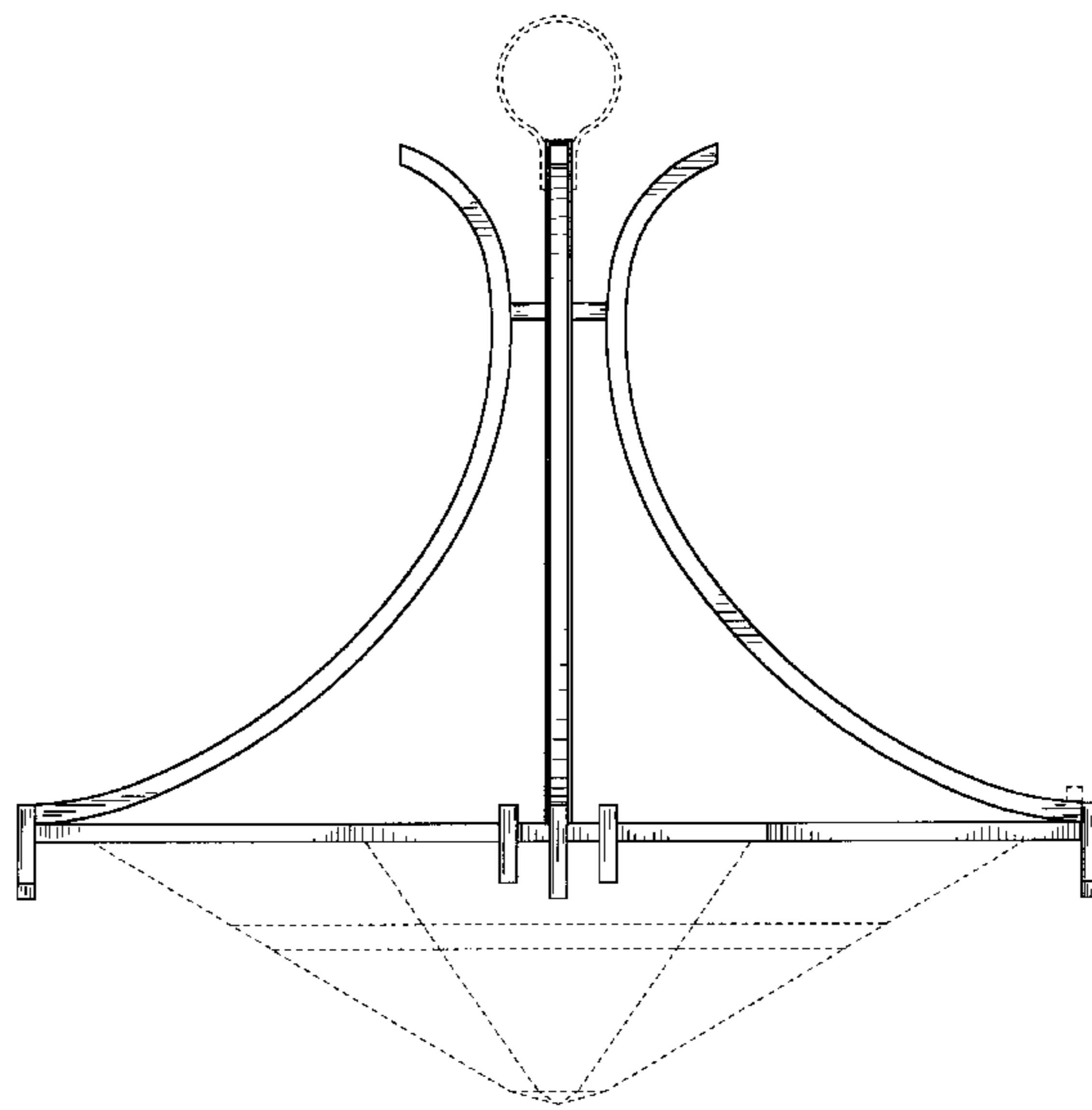
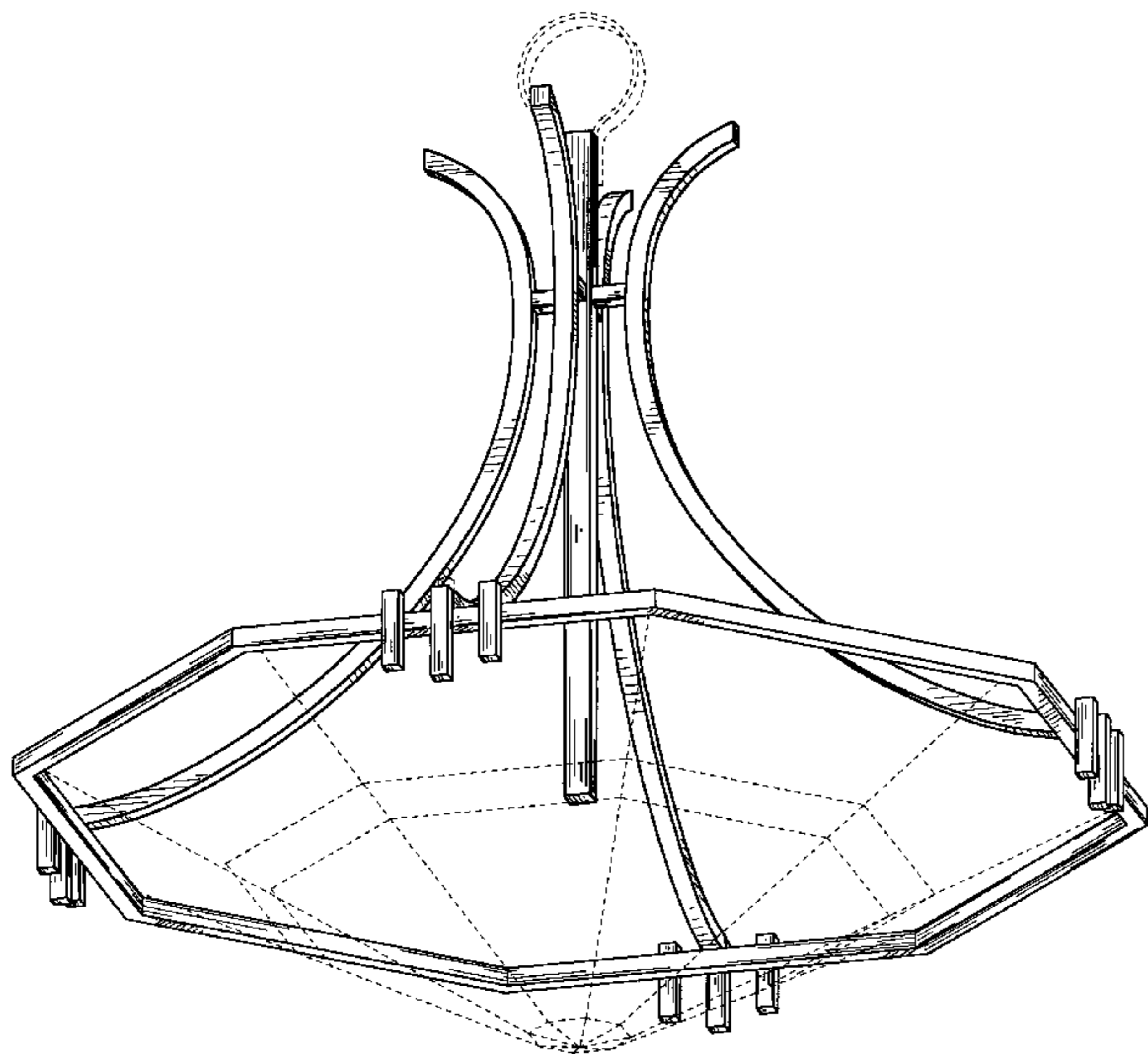
[57] **CLAIM**

I claim the ornamental design for a chandelier, as shown and described.

DESCRIPTION

FIG. 1 is a perspective view of a chandelier showing my new design;
FIG. 2 is a front elevational view of the chandelier, the right, left and rear elevational views being identical;
FIG. 3 is a top plan view of the chandelier; and,
FIG. 4 is a bottom plan view of the chandelier.
The broken lines shown are for illustrative purposes only and form no part of the claimed design.

1 Claim, 3 Drawing Sheets



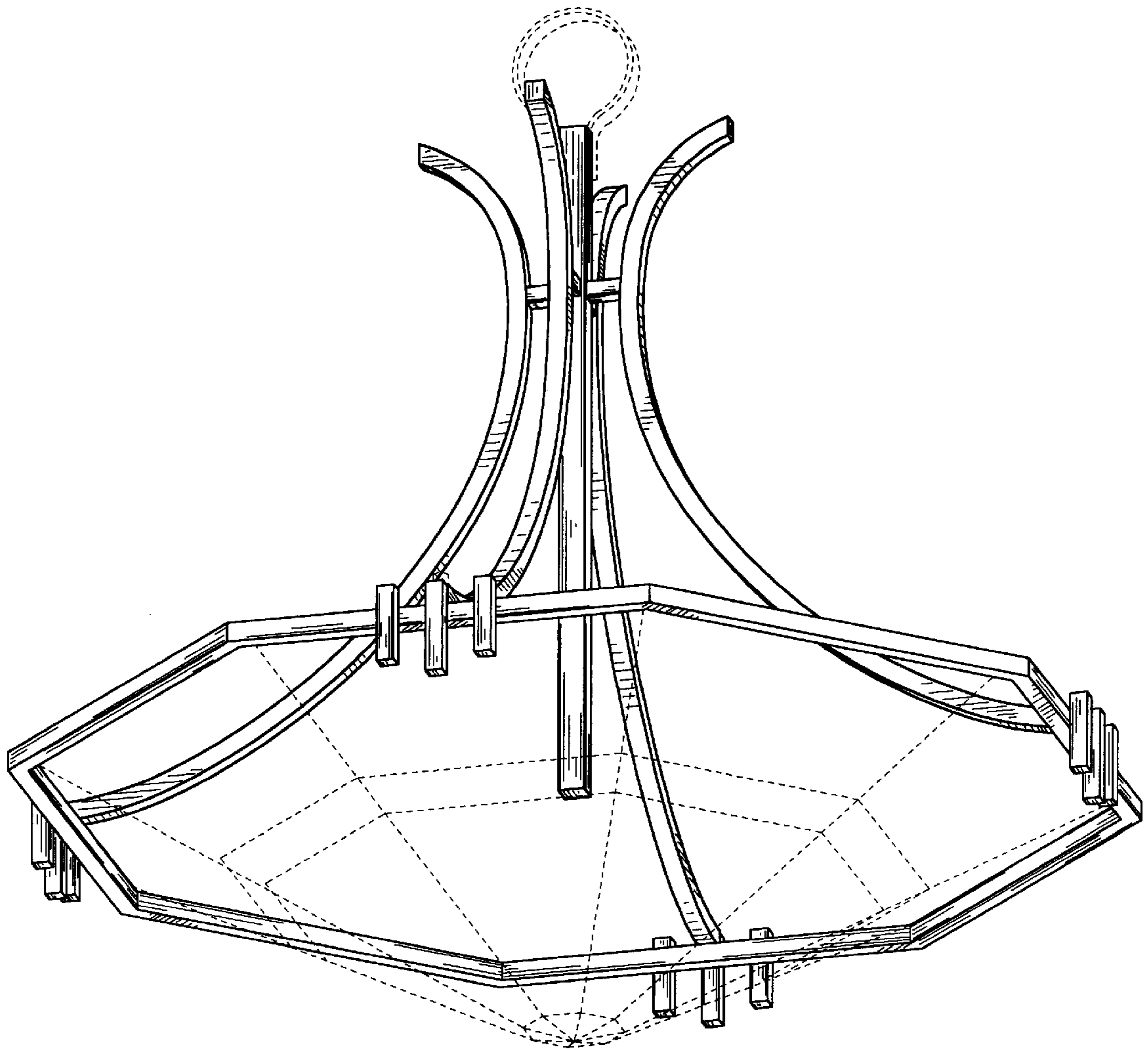


Fig.1

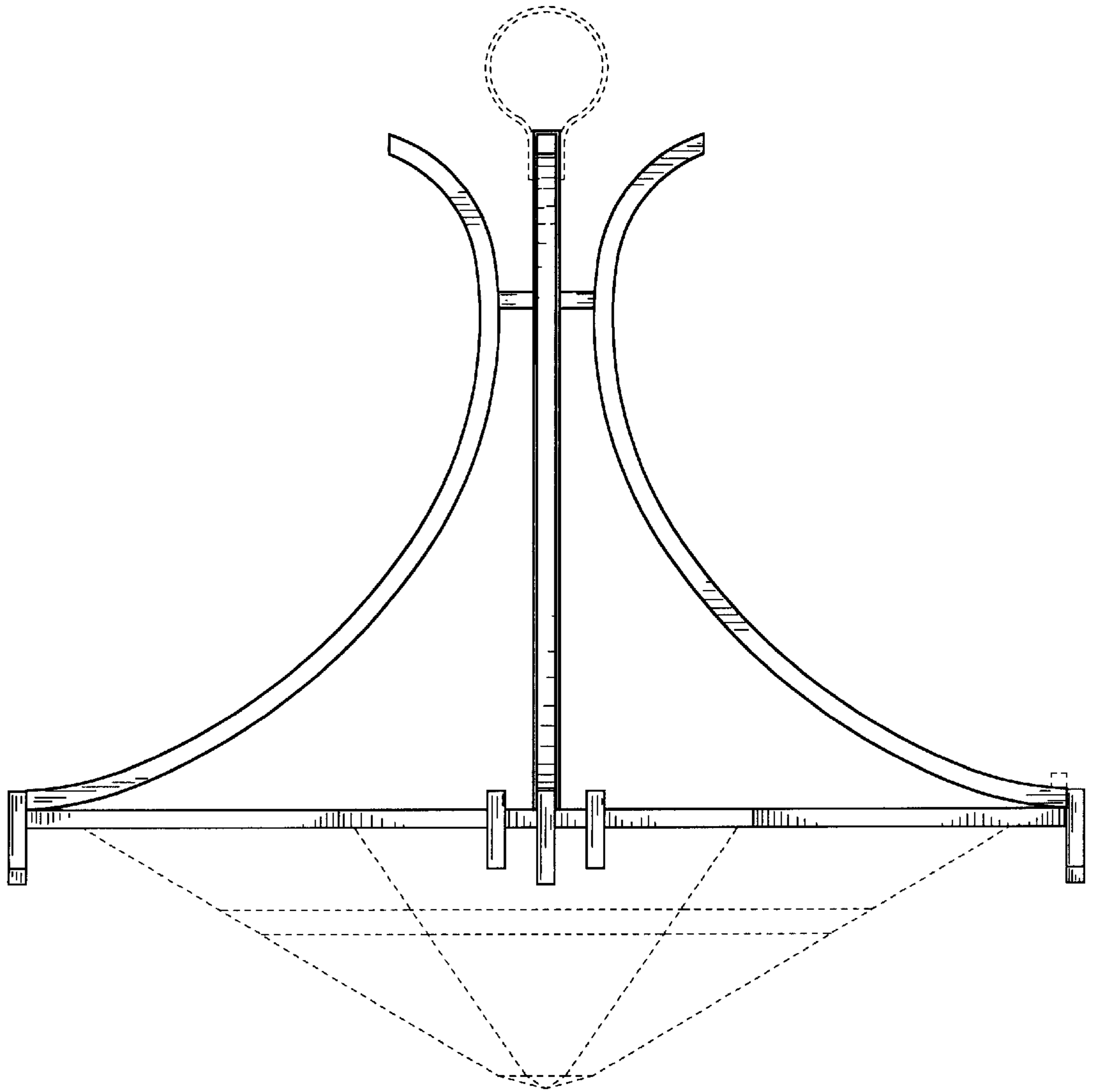


Fig.2

