

US00D430330S

United States Patent [19] Hammar

[11] **Patent Number: Des. 430,330**

[45] **Date of Patent: ** Aug. 29, 2000**

[54] **LIGHTING FIXTURE**

[75] Inventor: **Richard Hammar**, Mentor, Ohio

[73] Assignee: **The L. D. Kichler Co.**, Cleveland, Ohio

[**] Term: **14 Years**

[21] Appl. No.: **29/113,400**

[22] Filed: **Nov. 4, 1999**

[51] **LOC (7) Cl.** **26-05**

[52] **U.S. Cl.** **D26/88; D26/142**

[58] **Field of Search** **D26/72, 80-92, D26/142, 143, 149, 156; 362/147, 404-408**

[56] **References Cited**

U.S. PATENT DOCUMENTS

- D. 391,661 3/1998 Pan D26/86
- D. 403,460 12/1998 Littman et al. D26/90

OTHER PUBLICATIONS

Minka-Lavery lighting catalog, Jan. 1995, p. 114 pendant lamp #D 1321.

Primary Examiner—Susan J. Lucas

Attorney, Agent, or Firm—Watts, Hoffmann, Fisher & Heinke, Co., L.P.A.

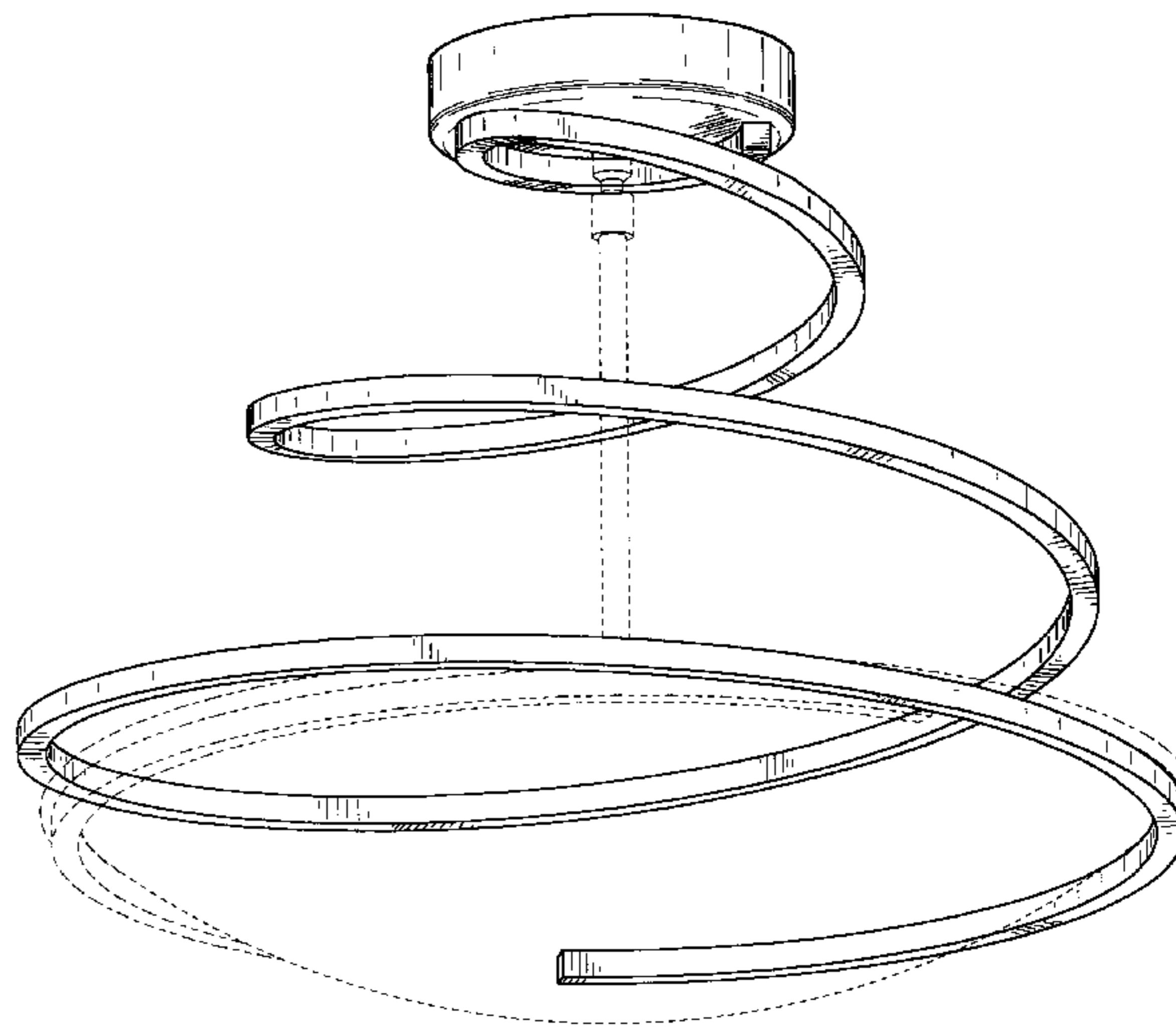
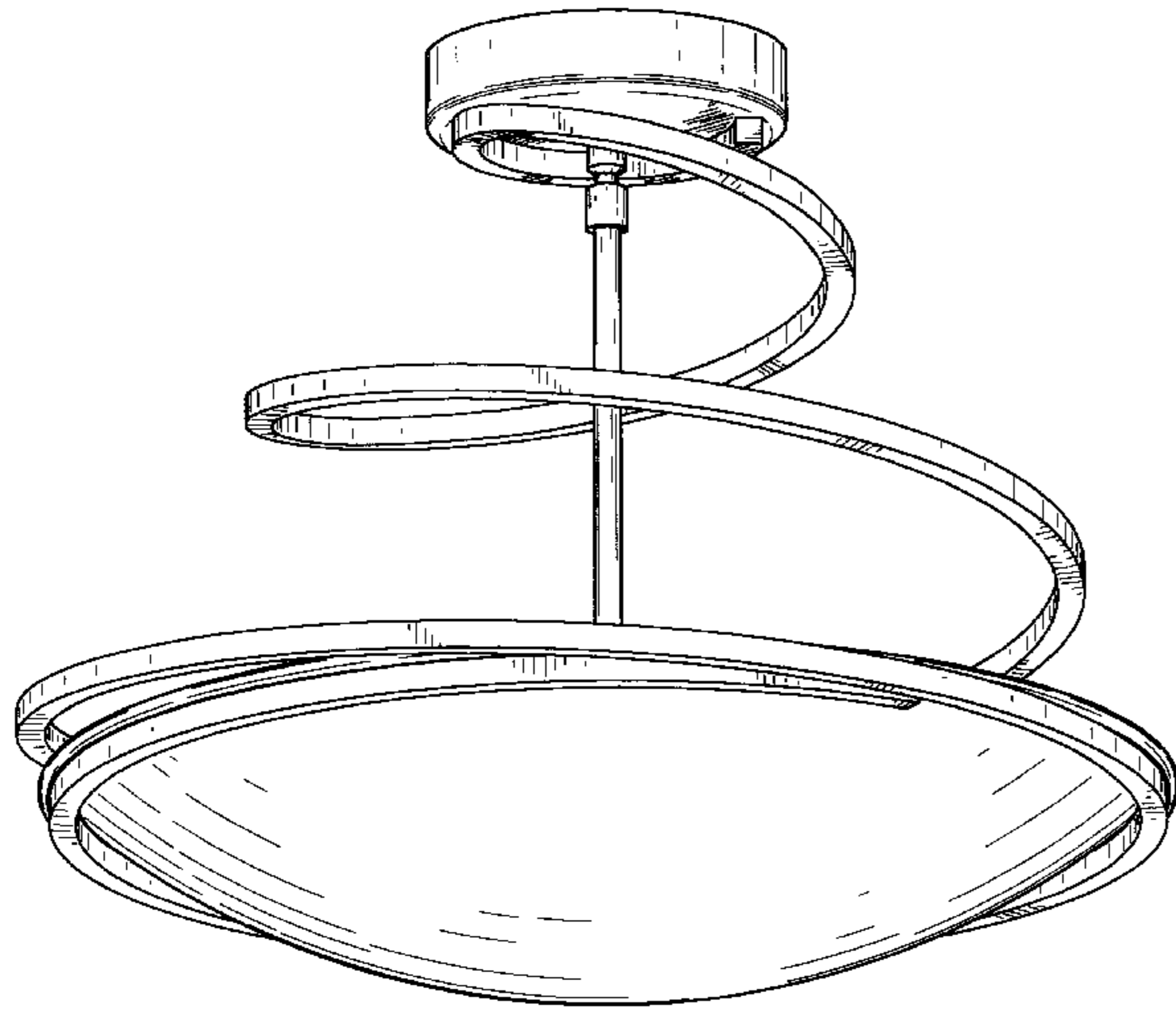
[57] **CLAIM**

I claim the ornamental design for a lighting fixture, as shown and described.

DESCRIPTION

FIG. 1 is a perspective view of the lighting fixture showing my new design;
 FIG. 2 is a left elevational view of the lighting fixture
 FIG. 3 is a right elevational view of the lighting fixture;
 FIG. 4 is a rear elevational view of the outdoor lighting fixture;
 FIG. 5 is a front elevational view of the lighting fixture;
 FIG. 6 is a top plan view of the lighting fixture;
 FIG. 7 is a bottom plan view of the lighting fixture;
 FIG. 8 is a perspective view of the second embodiment of the lighting fixture showing my new design;
 FIG. 9 is a left elevational view of the lighting fixture;
 FIG. 10 is a right elevational view of the lighting fixture;
 FIG. 11 is a rear elevational view of the lighting fixture;
 FIG. 12 is a front elevational view of the lighting fixture;
 FIG. 13 is a top plan view of the lighting fixture; and,
 FIG. 14 is a bottom plan view of the lighting fixture.
 The broken lines shown are for illustrative purposes only and form no part of the claimed design.

1 Claim, 8 Drawing Sheets



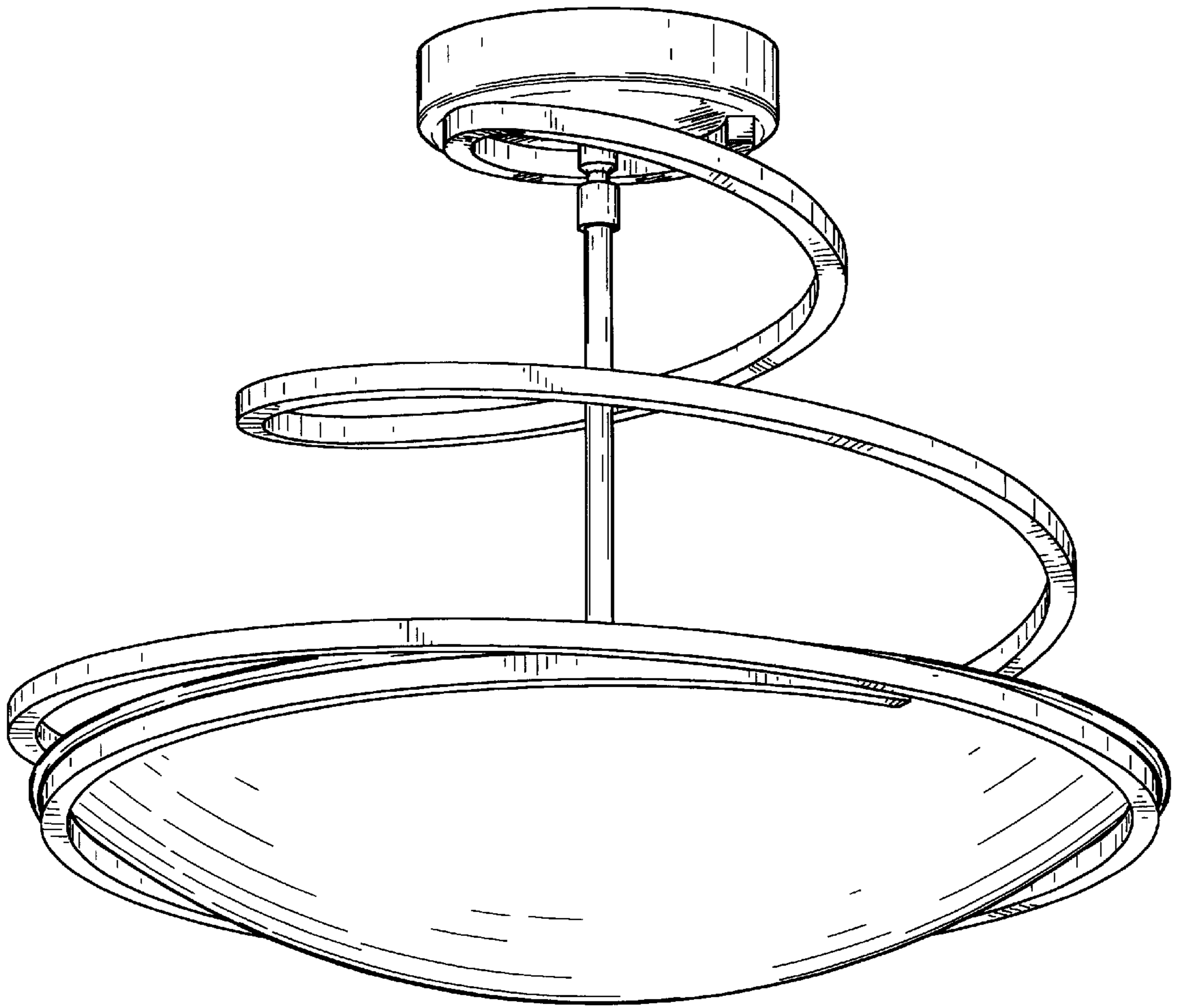


Fig.1

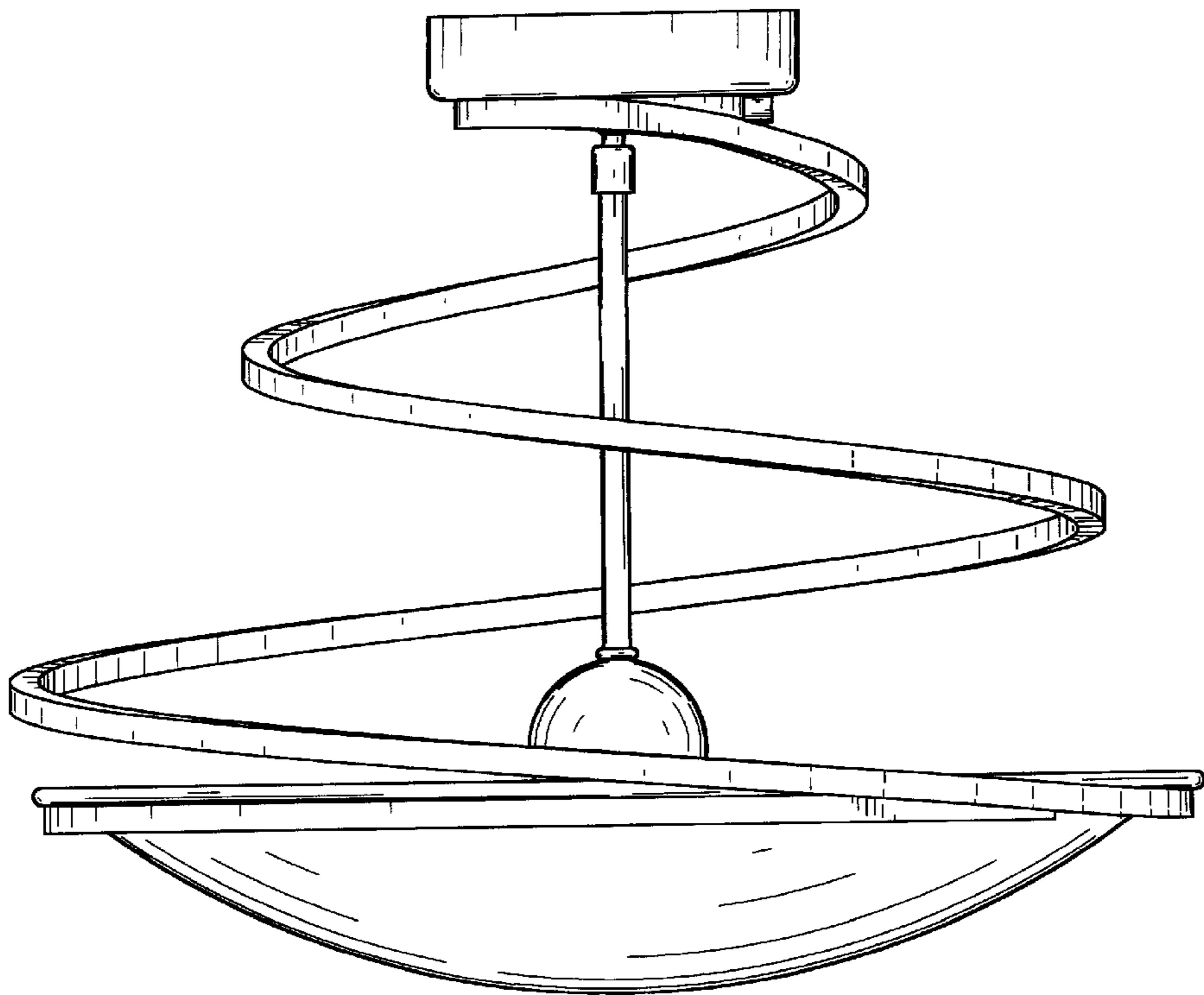


Fig.2

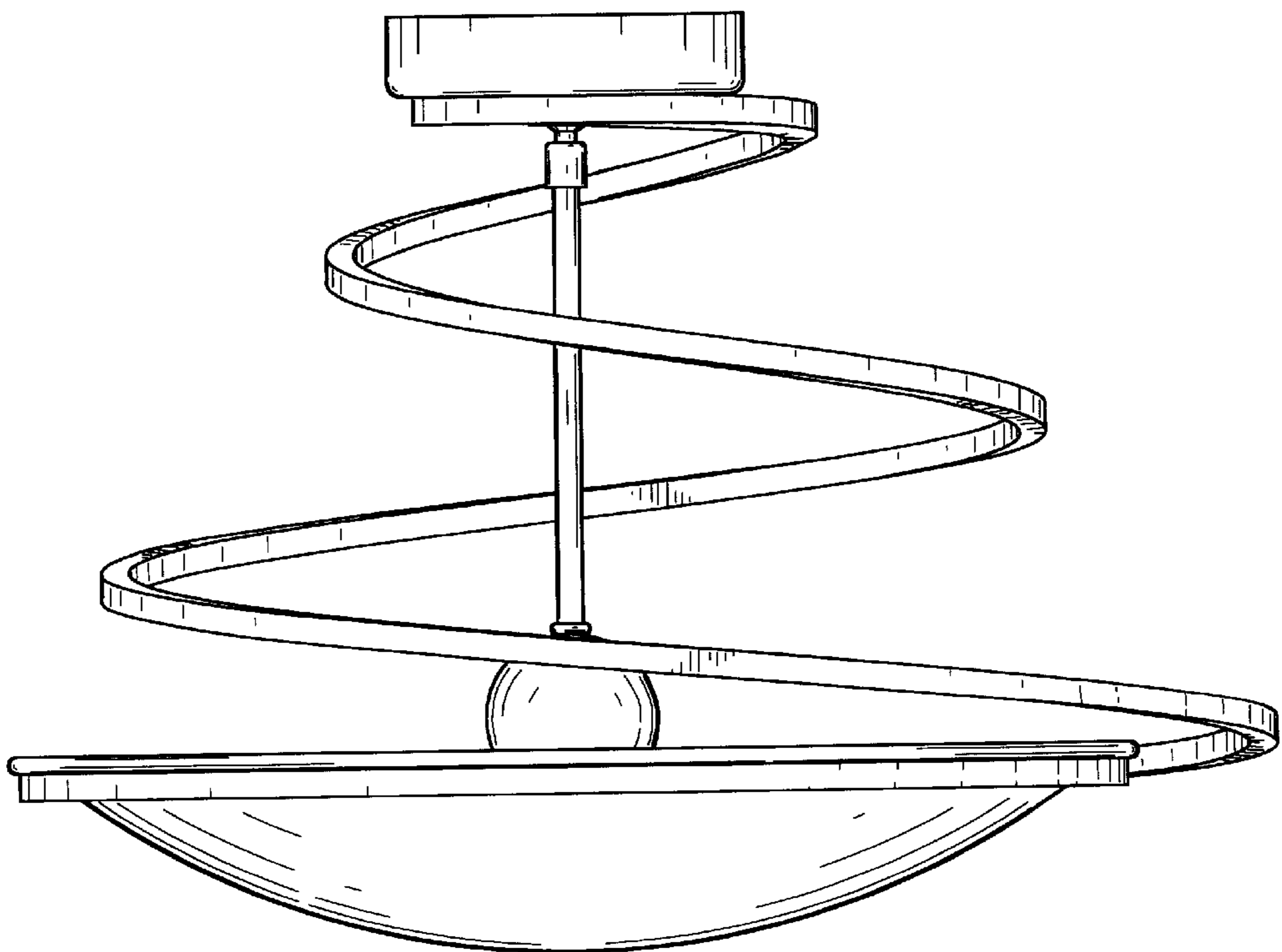


Fig.3

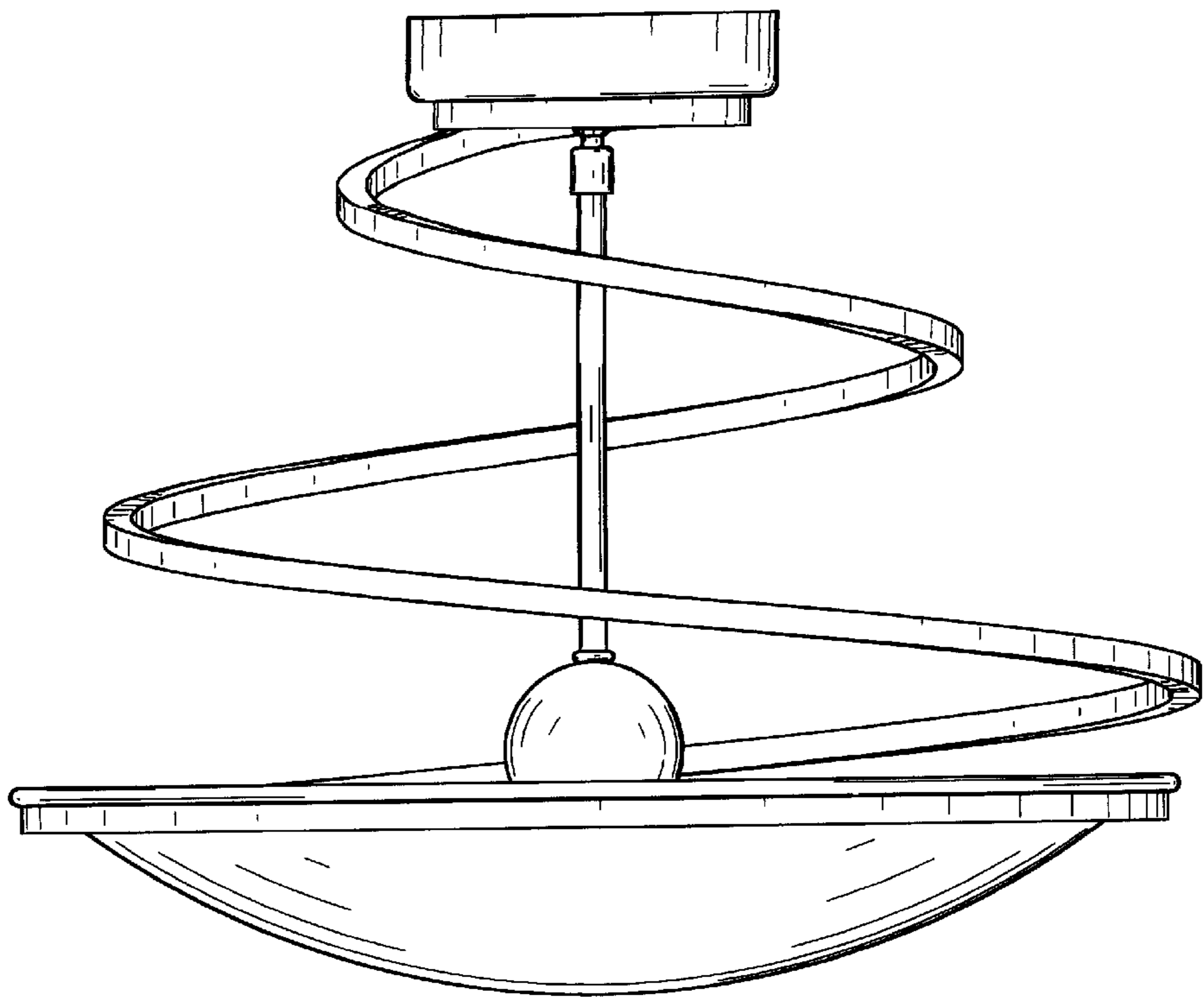


Fig.4

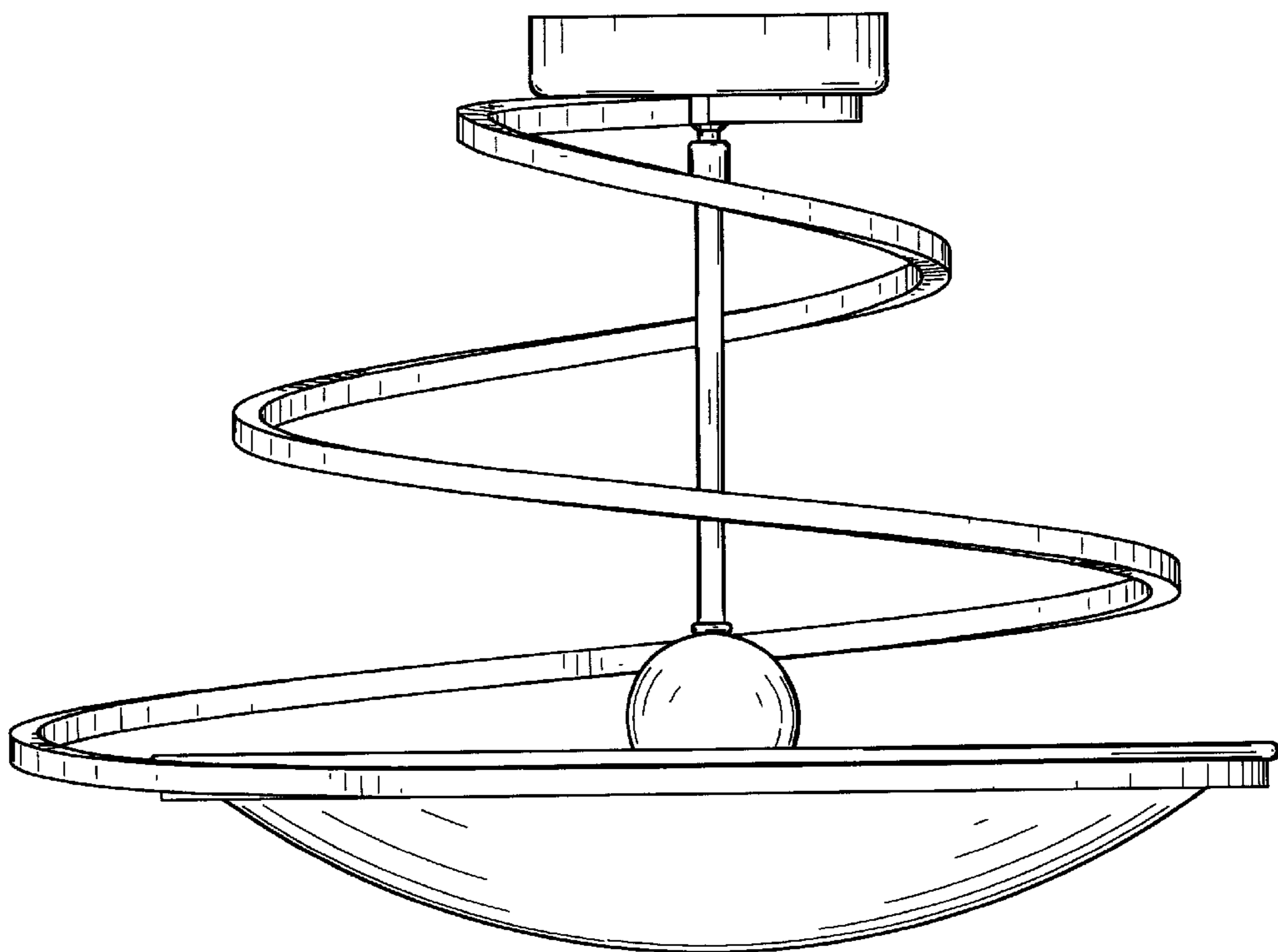


Fig.5

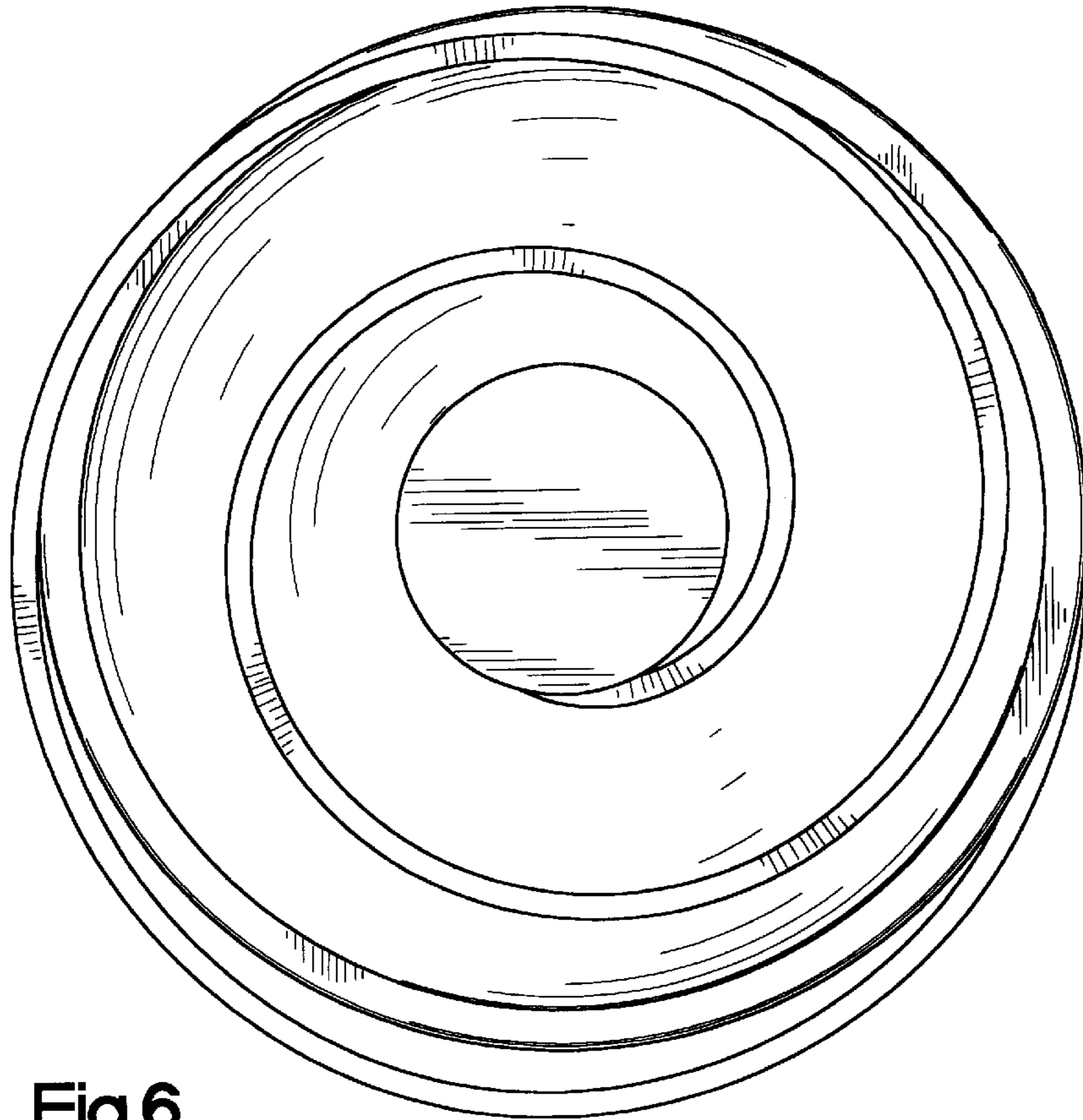


Fig.6

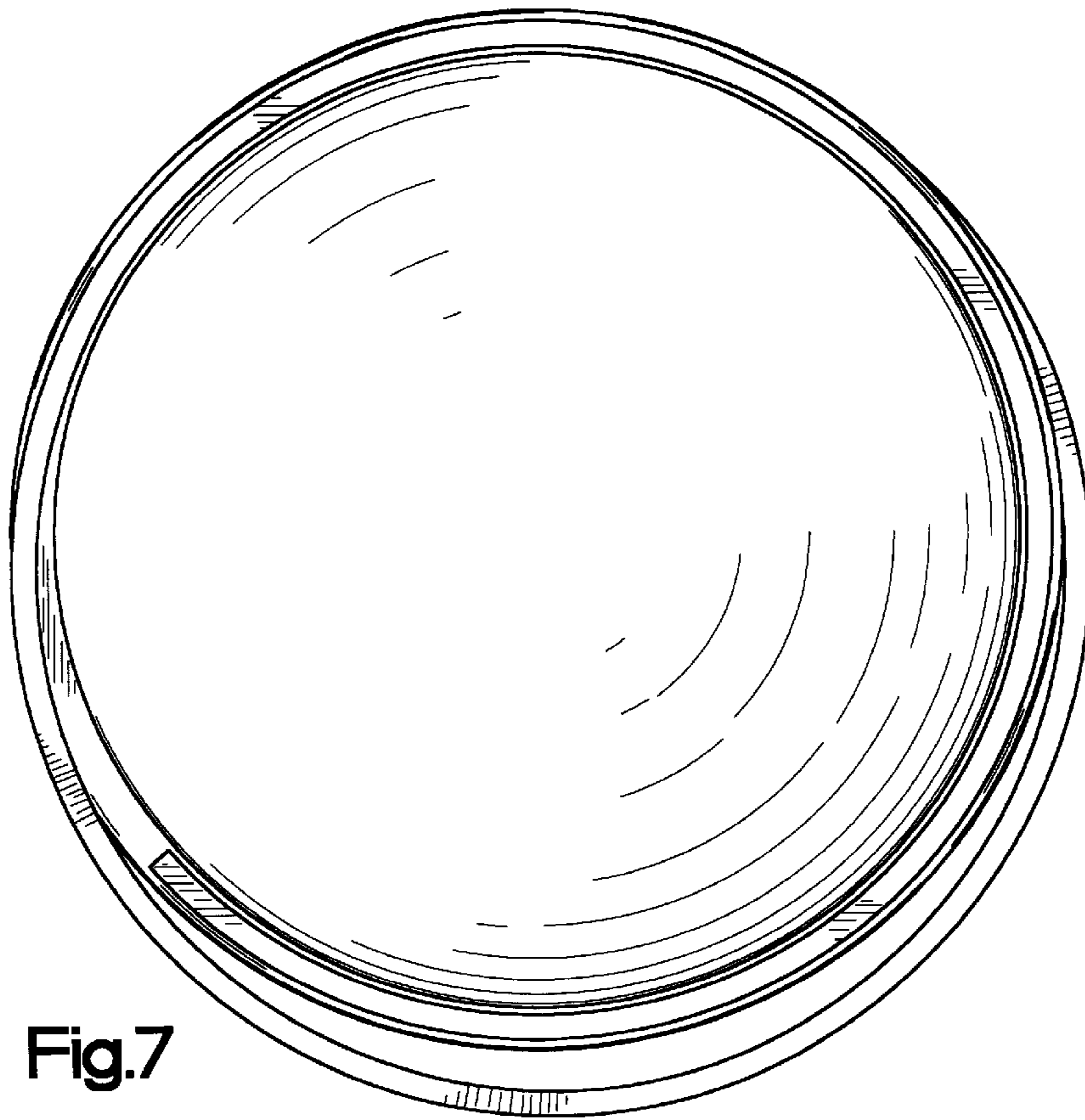


Fig.7

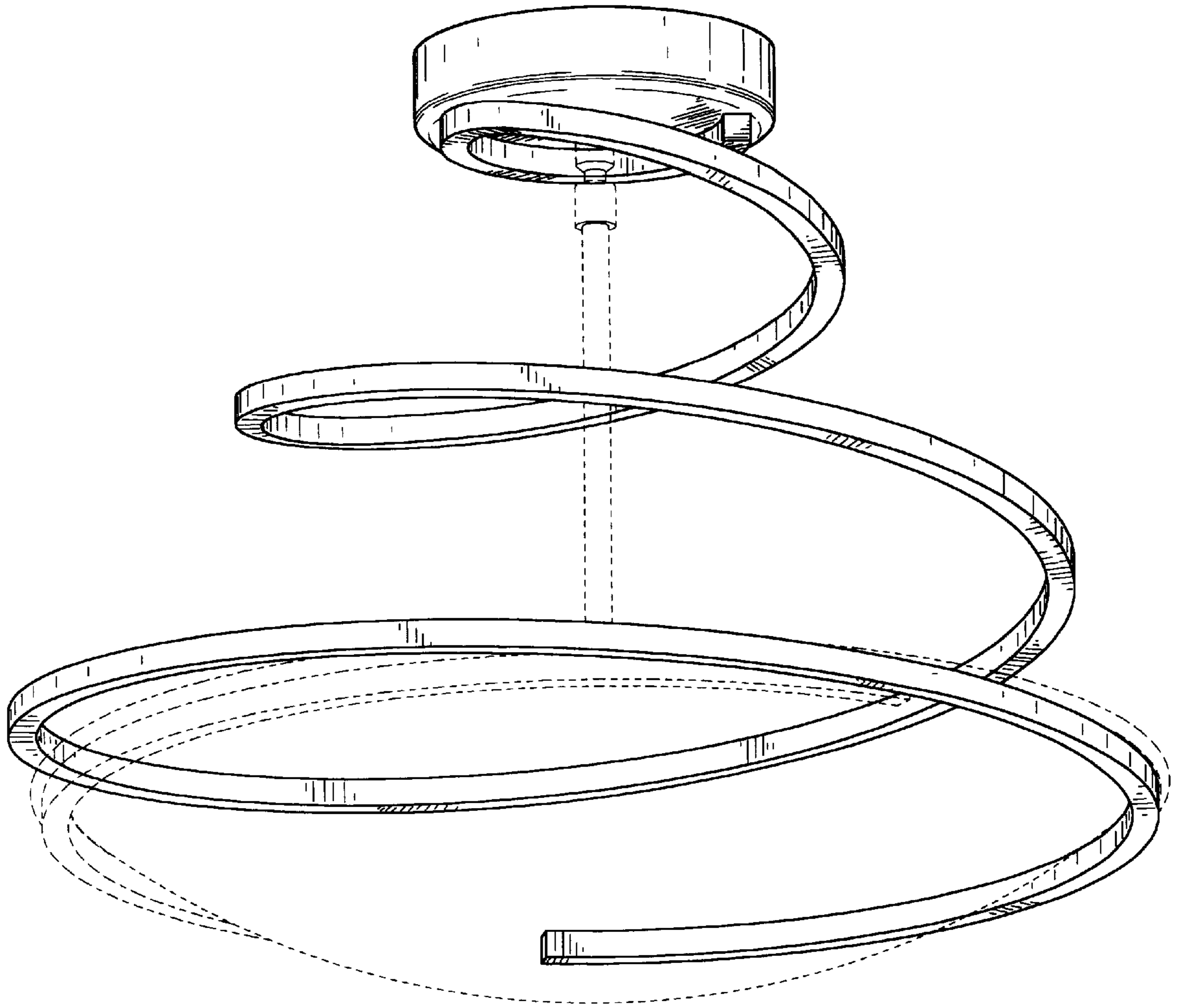


Fig.8

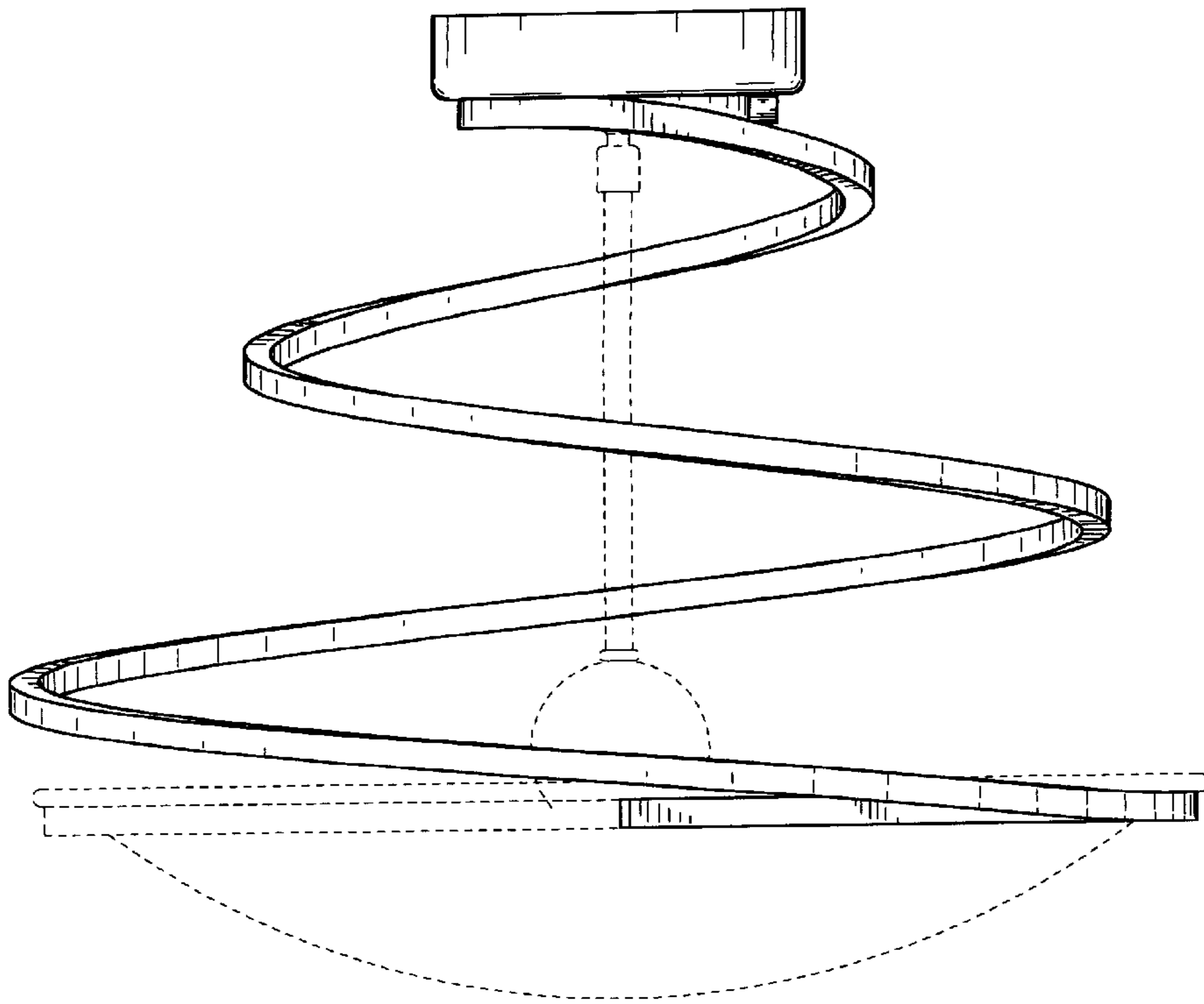


Fig.9

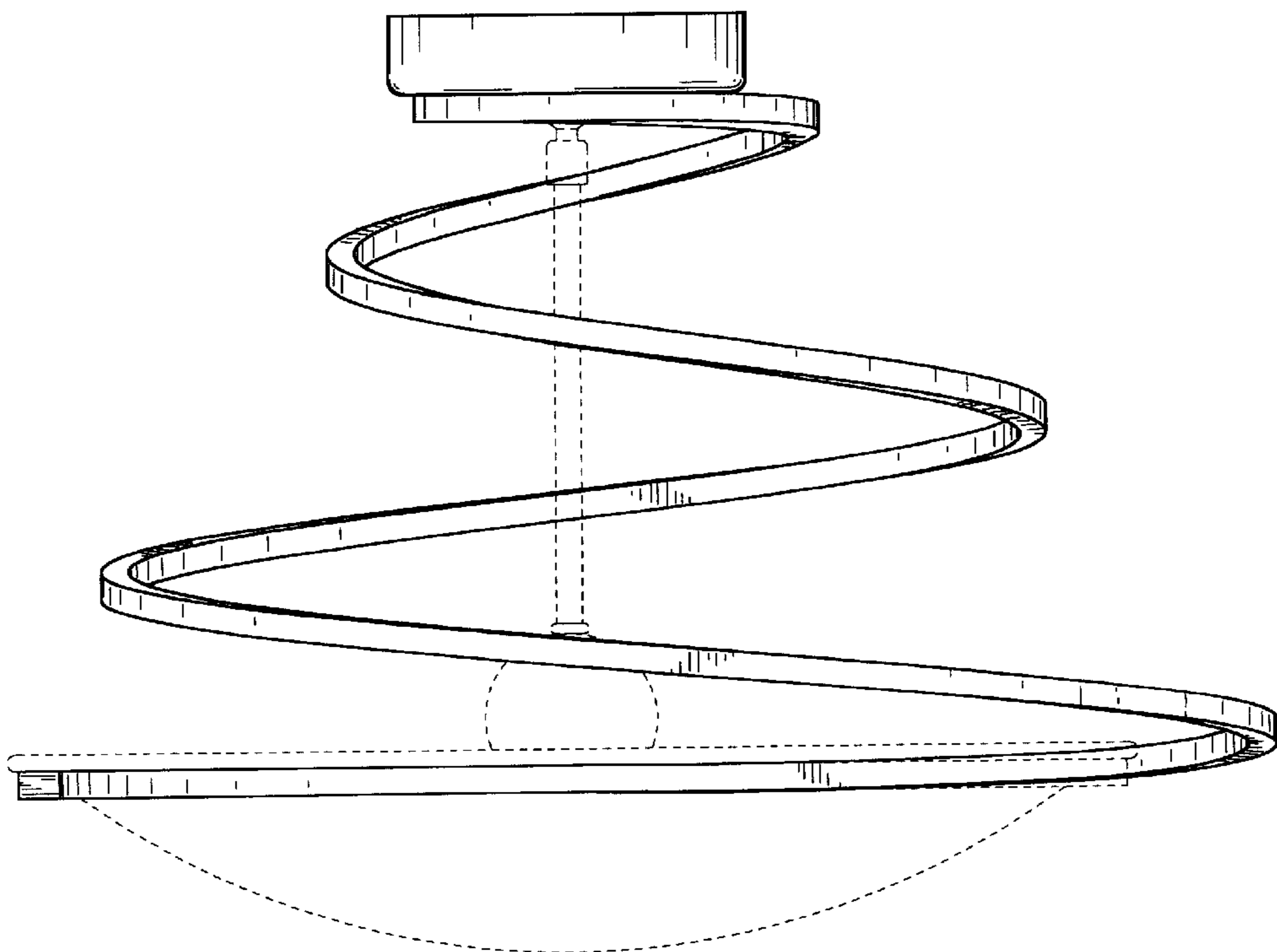


Fig.10

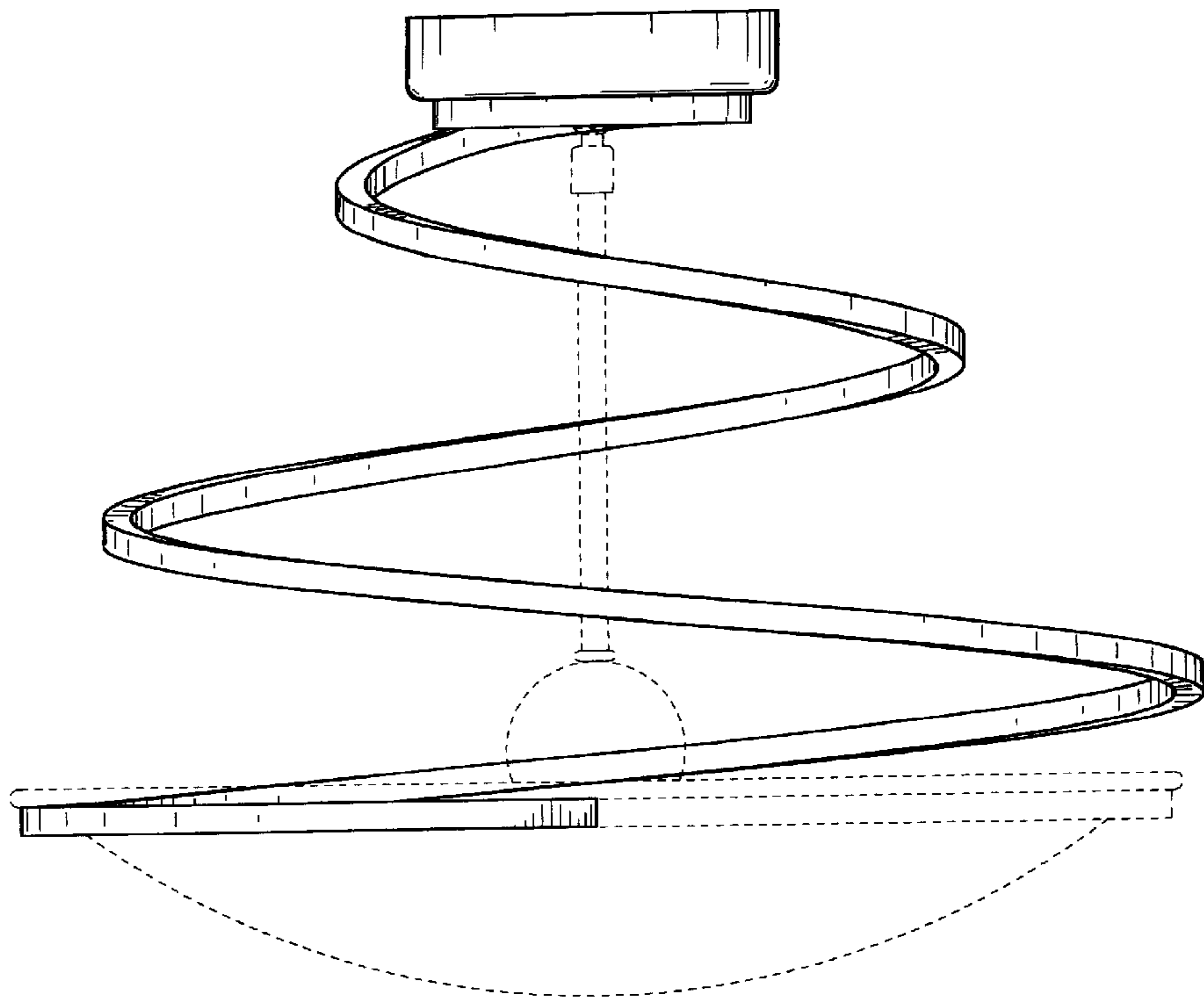


Fig.11

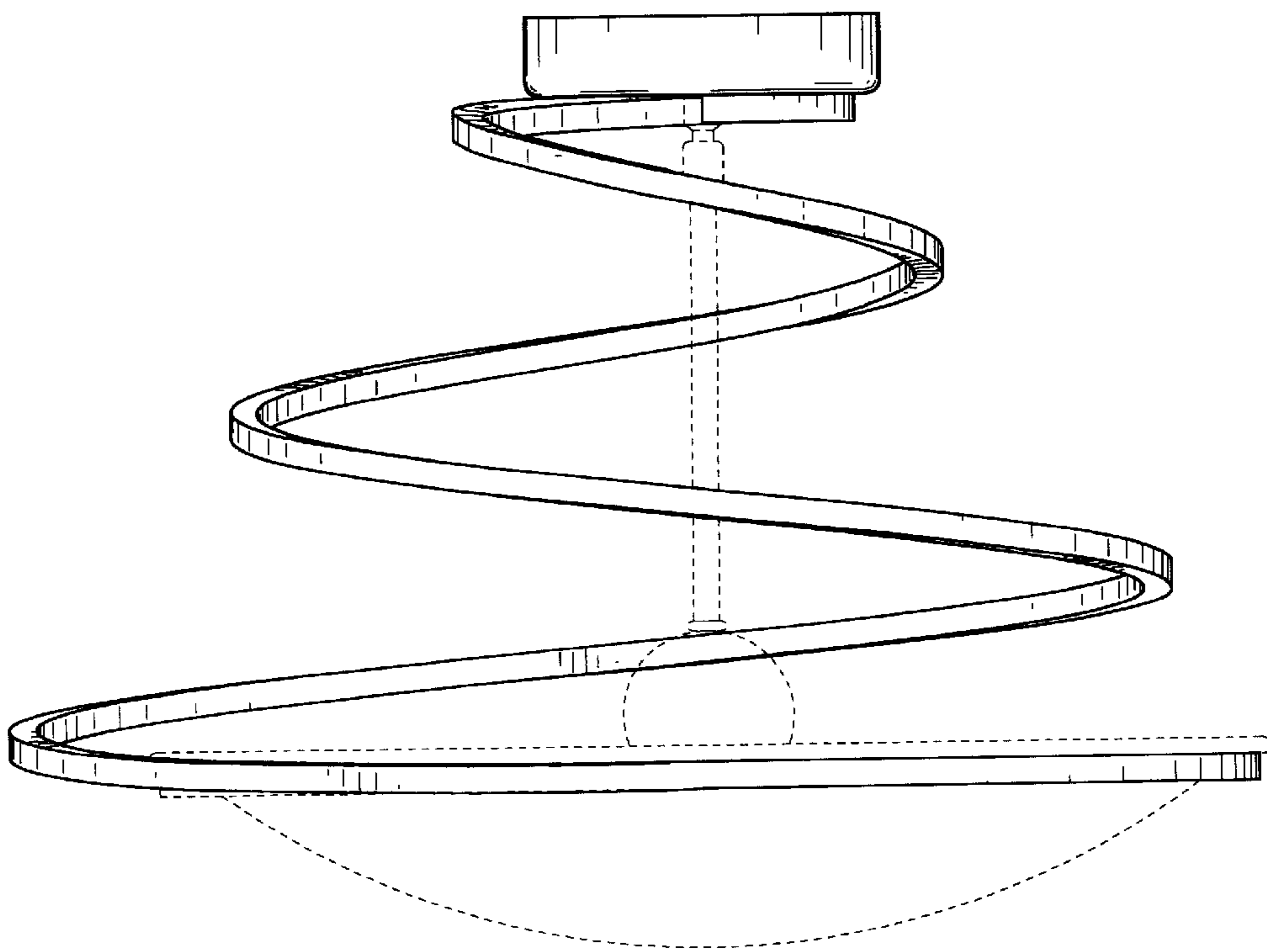


Fig.12

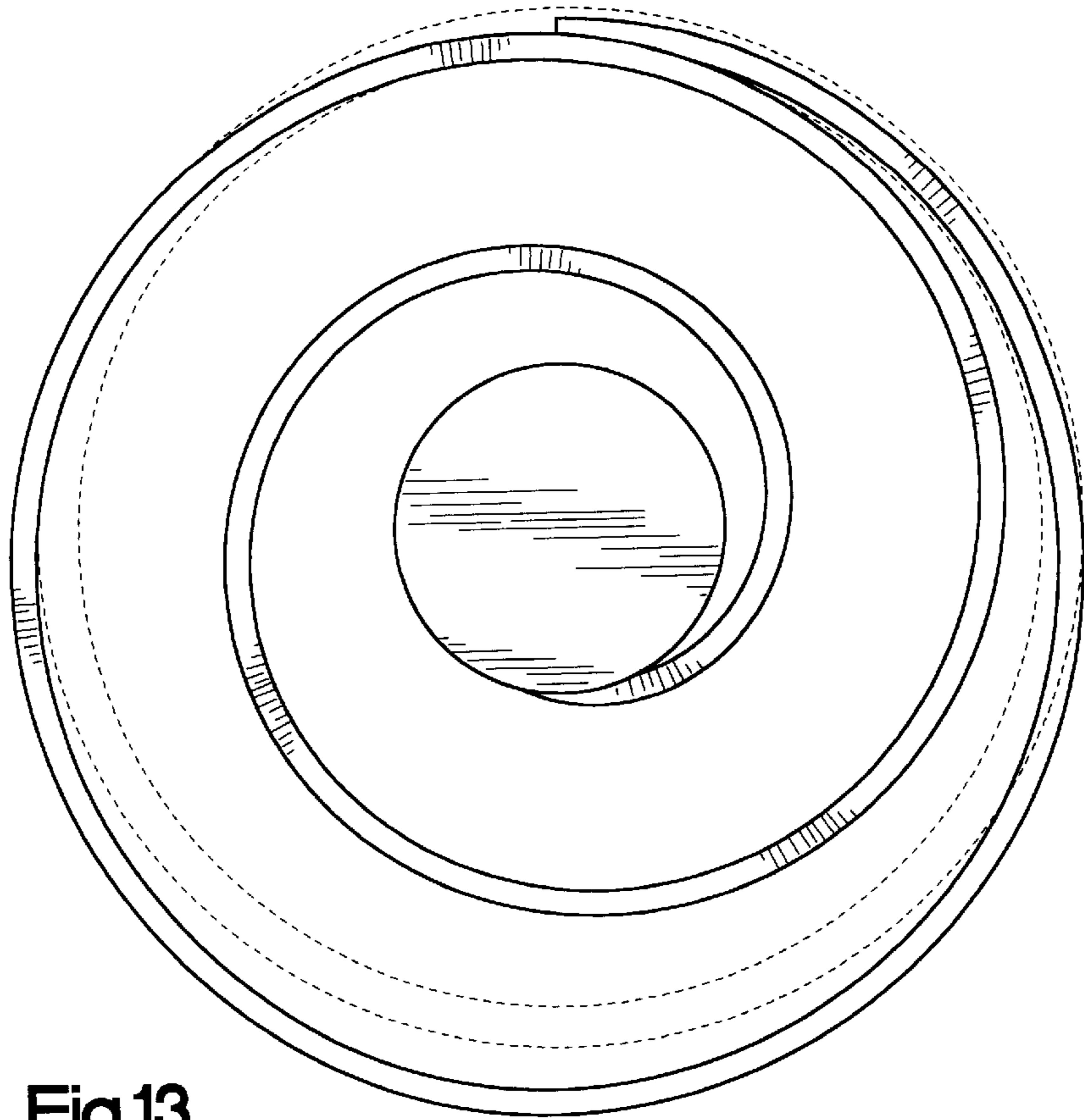


Fig.13

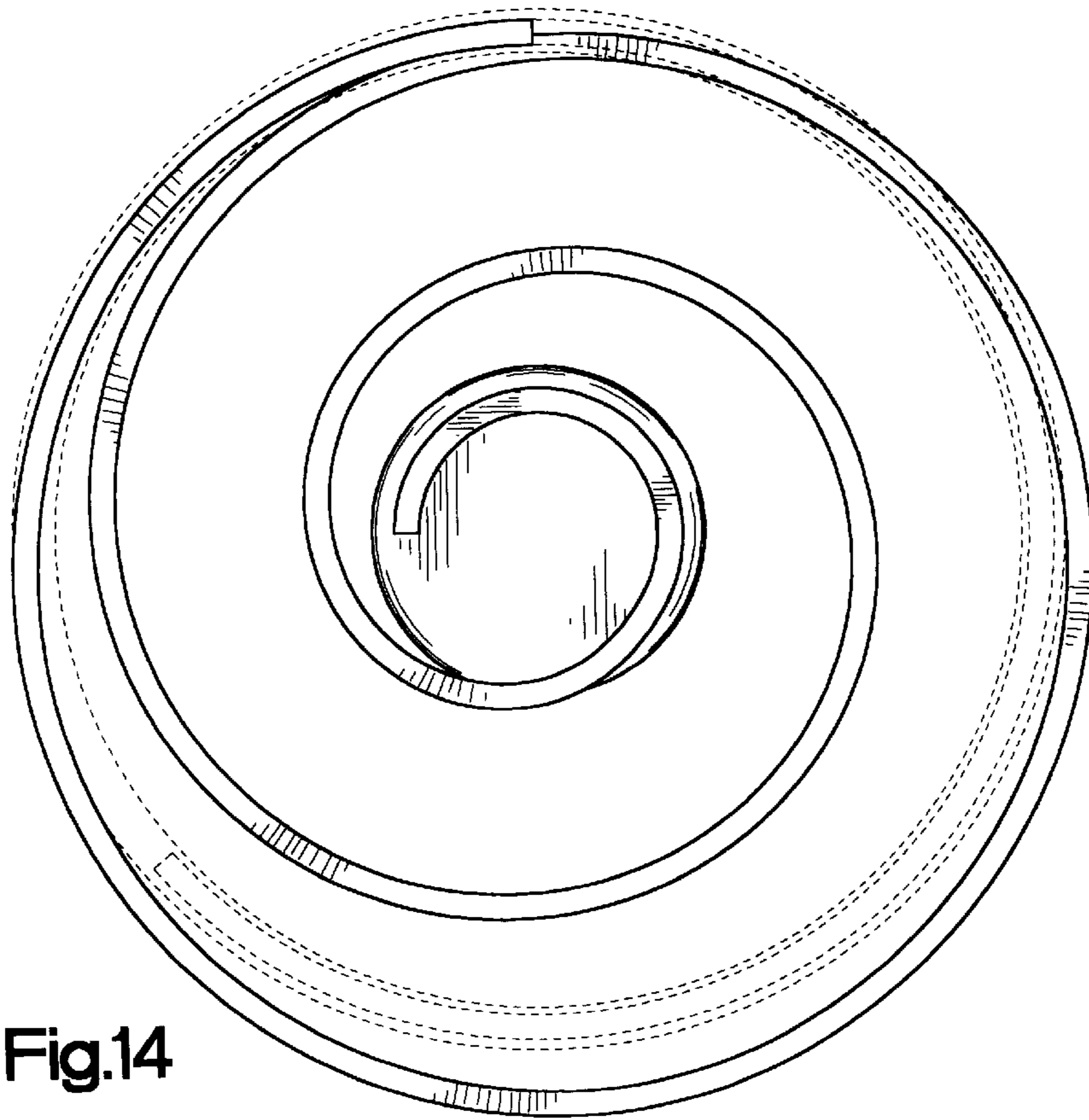


Fig.14