

US00D430327S

United States Patent [19]
Rockwell et al.

[11] **Patent Number: Des. 430,327**

[45] **Date of Patent: ** Aug. 29, 2000**

[54] **WALL SCONCE**

OTHER PUBLICATIONS

[75] Inventors: **David S. Rockwell; Allen W. Prusis,**
both of New York, N.Y.; **Barry A.**
Richards, Hopewell, N.J.

Marc Nugent Future Classics®, lighting ad, Jan. 1990, glass
sconce.

[73] Assignee: **Rockwell Architecture, Planning and**
Design, P.C., New York, N.Y.

Primary Examiner—Susan J. Lucas
Attorney, Agent, or Firm—Gottlieb, Rackman & Reisman,
P.c.

[**] Term: **14 Years**

[57] **CLAIM**

[21] Appl. No.: **29/102,215**

The ornamental design for a wall sconce, as shown and
described.

[22] Filed: **Mar. 19, 1999**

DESCRIPTION

[51] **LOC (7) Cl.** **26-05**

[52] **U.S. Cl.** **D26/87**

[58] **Field of Search** D26/80-92; 362/147,
362/431, 432, 404-408

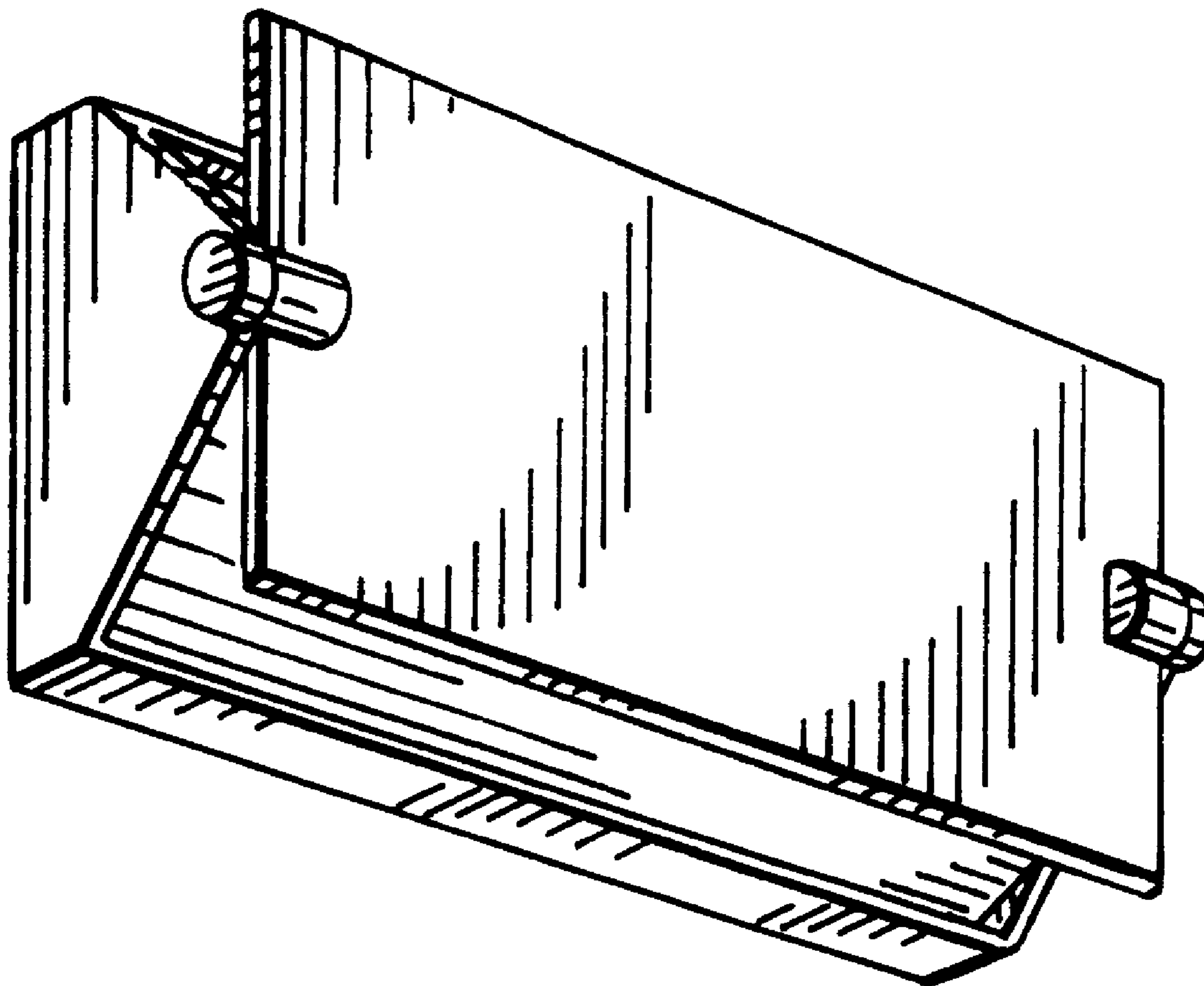
FIG. 1 is a perspective view thereof;
FIG. 2 is a side elevational view thereof;
FIG. 3 is a top plan view thereof;
FIG. 4 is a front elevational view thereof; and,
FIG. 5 is a bottom plan view thereof.

[56] **References Cited**

U.S. PATENT DOCUMENTS

D. 415,305 10/1999 Putman D26/87

1 Claim, 1 Drawing Sheet



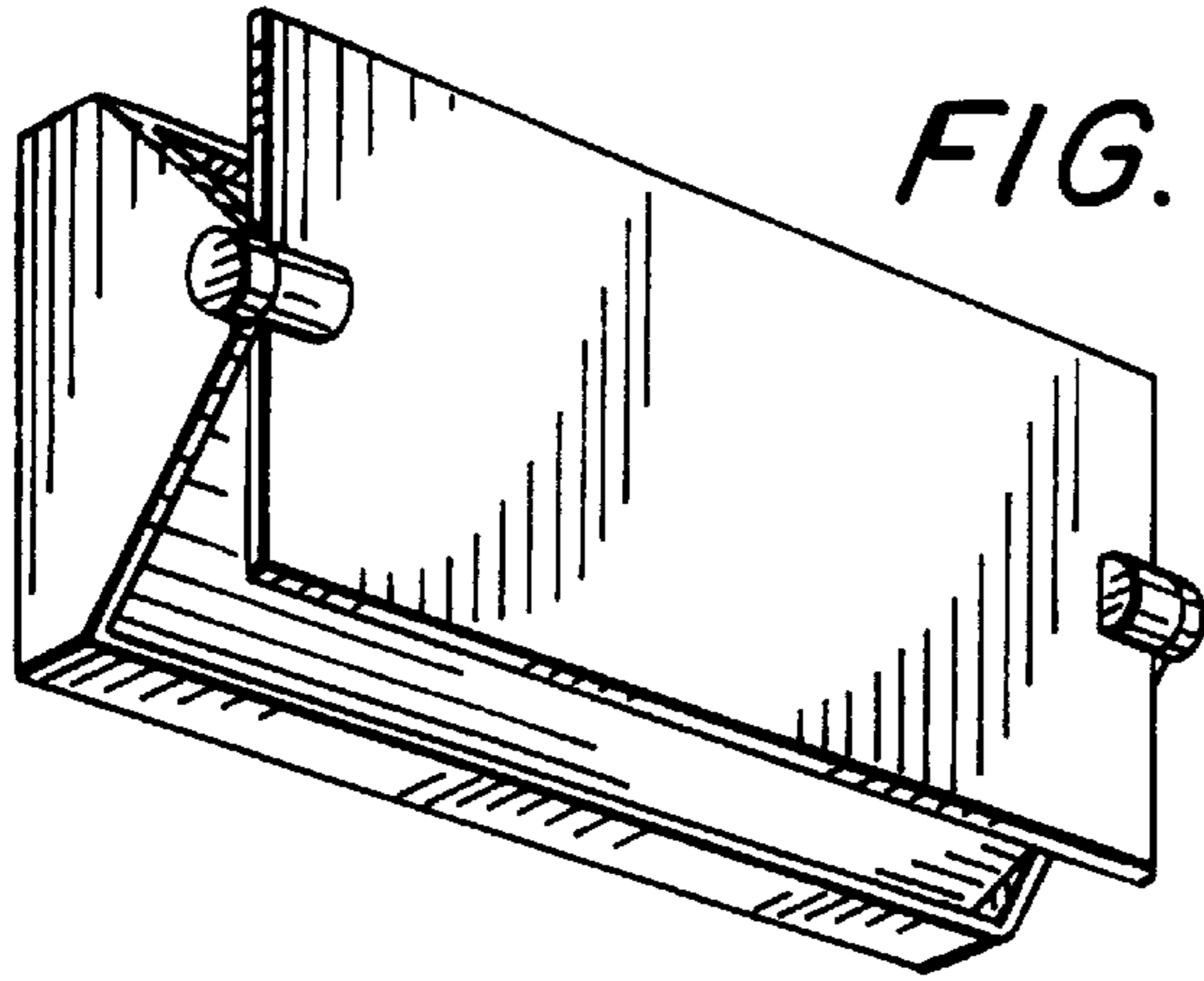


FIG. 1

FIG. 2

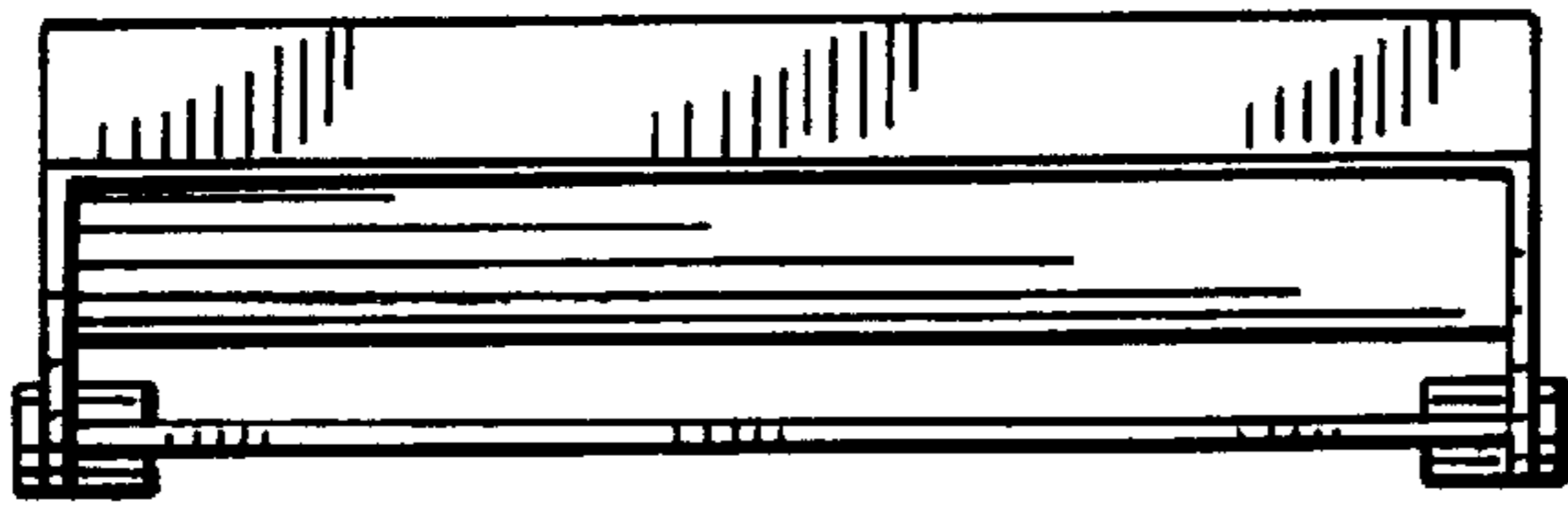
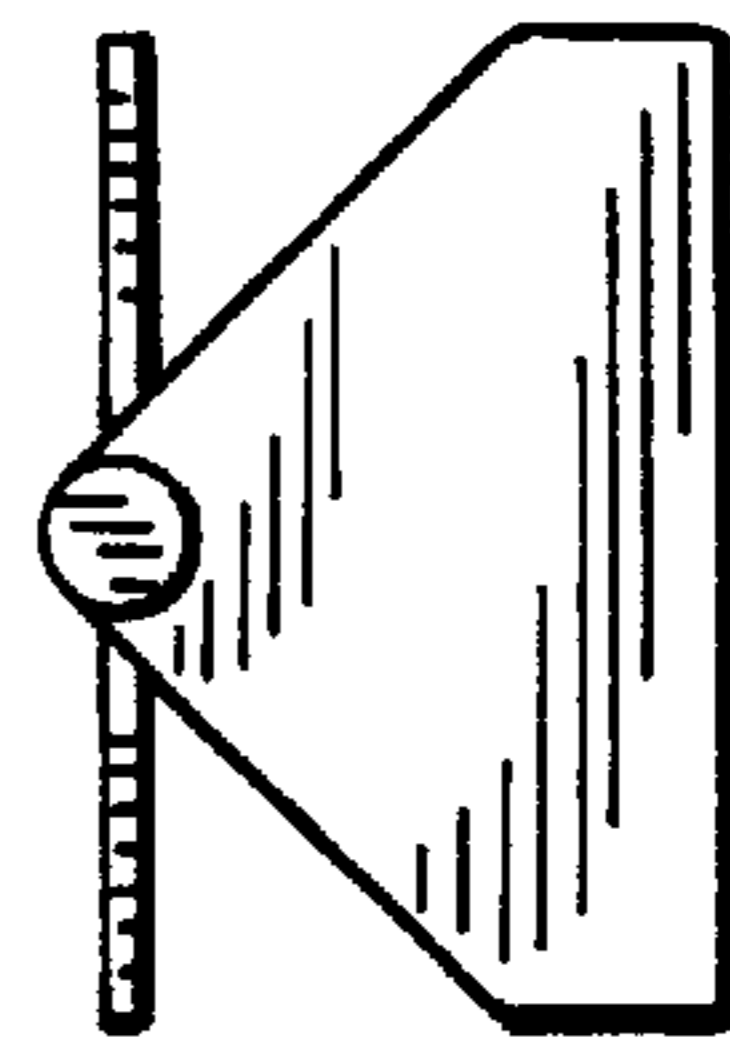


FIG. 3

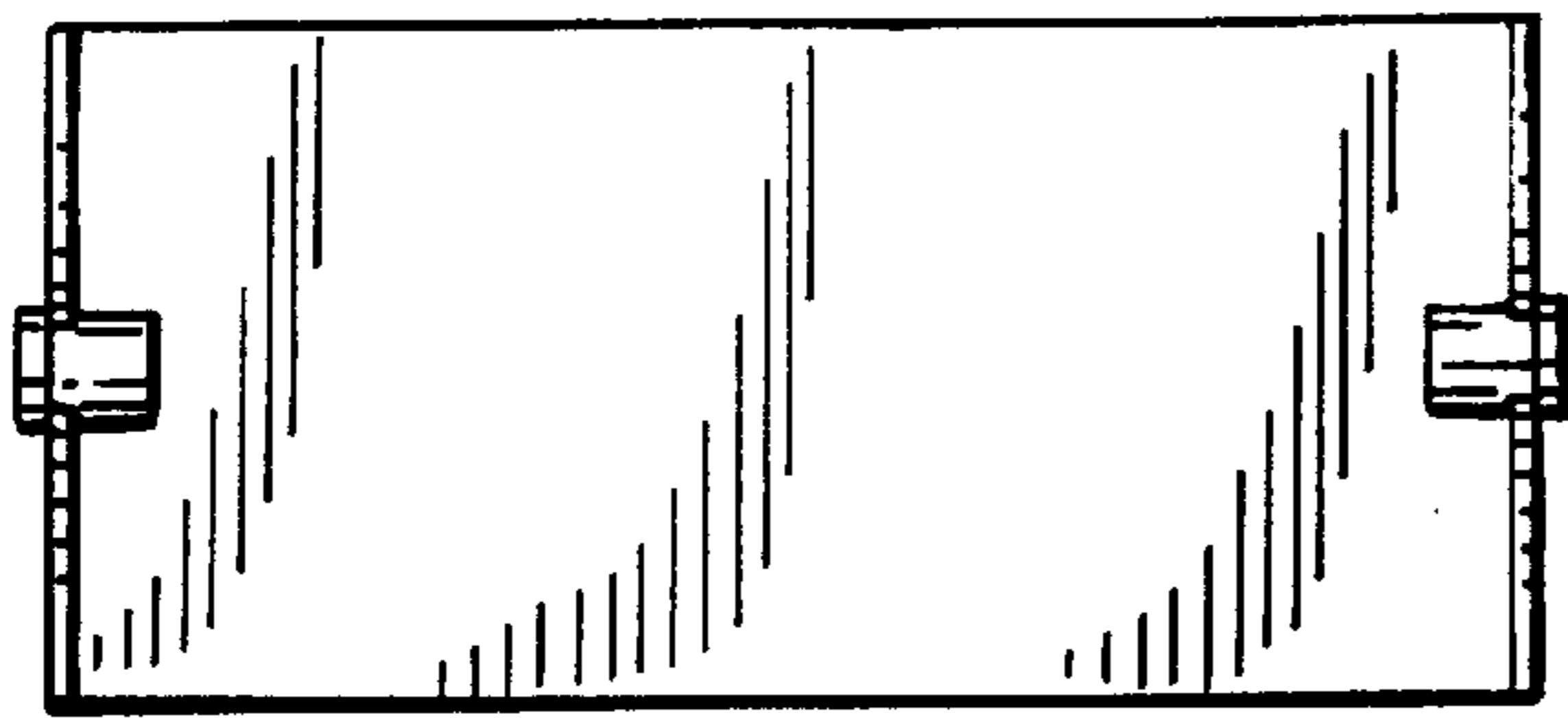


FIG. 4

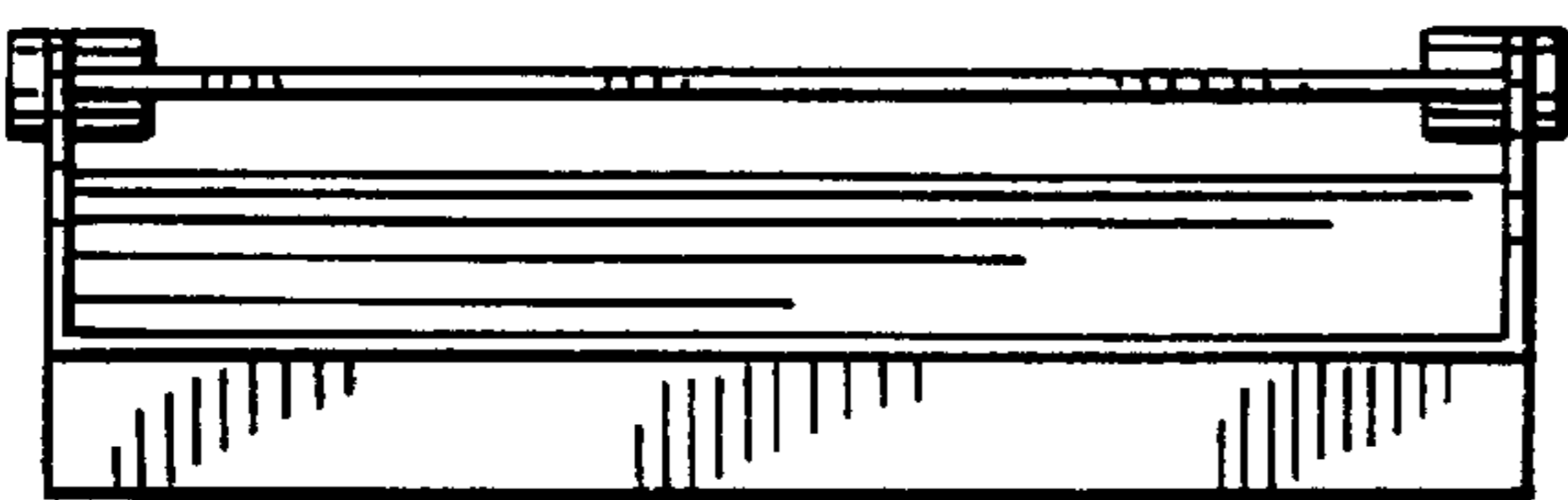


FIG. 5