



US00D430324S

United States Patent [19]

Shemitz et al.

[11] Patent Number: Des. 430,324

[45] Date of Patent: ** Aug. 29, 2000

[54] **CYLINDRICAL LUMINAIRE**

[75] Inventors: **Sylvan R. Shemitz; David B. Miller; Gregory L. Moler**, all of Woodbridge, Conn.

[73] Assignee: **Sylvan R. Shemitz Designs, Inc.**, West Haven, Conn.

[**] Term: **14 Years**

[21] Appl. No.: **29/052,057**

[22] Filed: **Mar. 22, 1996**

[51] **LOC (7) Cl.** **26-05**

[52] **U.S. Cl.** **D26/63**

[58] **Field of Search** D26/61, 63, 32, D26/87, 92; 362/147, 269, 275, 287, 418, 419, 427

[56] **References Cited**

U.S. PATENT DOCUMENTS

D. 308,114	5/1990	Shemitz	D26/85
D. 308,260	5/1990	Shemitz	D26/85
D. 312,886	12/1990	Brown	D26/63
D. 349,173	7/1994	Fellinger	D26/85
D. 356,876	3/1995	Waldmann	D26/107
D. 360,049	7/1995	Shemitz	D26/74
D. 360,270	7/1995	Shemitz	D26/74
D. 362,314	9/1995	Shemitz	D26/63 X
D. 366,536	1/1996	Shemitz	D26/88
4,747,025	5/1988	Barton	362/147
4,796,169	1/1989	Shemitz	362/282

OTHER PUBLICATIONS

Home Lighting and Accessories, p. 77, Elliptipar wall luminaire, bottom, Jan. 1994.
 SPI Lighting, Inc. Flyer, single page, adjustable ceiling fixture, 1993.
 Elliptipar, Inc., Drawing No. 100/S/83/D/220, Aug. 3, 1983.
 Elliptipar, Inc., Drawing No. 100/S/85/D-358, Jul. 18, 1985 and related photograph.
 SPI Lighting, "Semi-Recessed Wall Wash Unit ECR SR/EDR SR 1 AND 2", SPI Lighting, Inc., Catalog Insert pp. 392-35 (1992).

Insight Lighting, "5 by 10 Semi Recessed", Insight Lighting 5X10 Taos Series drawing (date unknown).

Insight Lighting, "TAOS SR Interior Architectural Luminaires: Semi-Recessed/Biaxial Fluorescent" data sheet (1995).

Insight Lighting, "TAOS SR Interior Architectural Luminaires: Semi-Recessed/Compact Fluorescent" data sheet (1995).

Insight Lighting, "TAOS SR Interior Architectural Luminaires: Semi-Recessed/Incandescent & HQI" data sheet (1995).

Primary Examiner—Susan J. Lucas
Attorney, Agent, or Firm—Fish & Neave; Jeffrey H. Ingerman

[57] **CLAIM**

The ornamental design for a cylindrical luminaire, as shown and described.

DESCRIPTION

FIG. 1 is a front, left, bottom, perspective view of a cylindrical luminaire, showing a first embodiment of our new design;

FIG. 2 is a top plan view thereof;

FIG. 3 is a front elevational view thereof;

FIG. 4 is a right side elevational view thereof;

FIG. 5 is a rear elevational view thereof;

FIG. 6 is a bottom plan view thereof;

FIG. 7 is a front, left, bottom, perspective view of a cylindrical luminaire, showing a second embodiment of our new design;

FIG. 8 is a top plan view thereof;

FIG. 9 is a front elevational view thereof;

FIG. 10 is a right side elevational view thereof;

FIG. 11 is a rear elevational view thereof; and,

FIG. 12 is a bottom plan view thereof.

The broken lines in FIGS. 1-3, 5, 6-9, 11 and 12 are meant to indicate that the perforations extend over the entire outer cylindrical surface in those FIGURES.

1 Claim, 12 Drawing Sheets

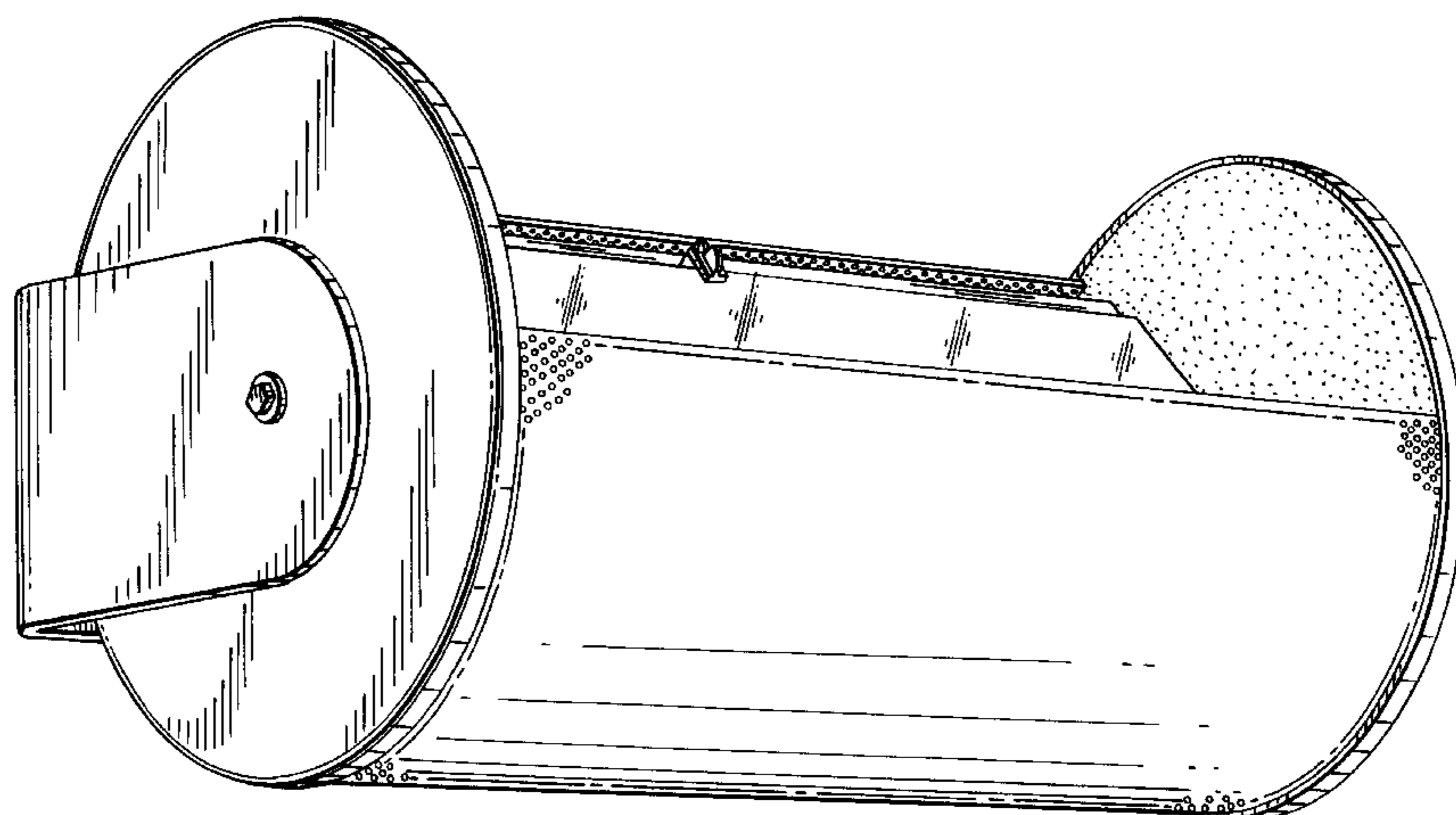
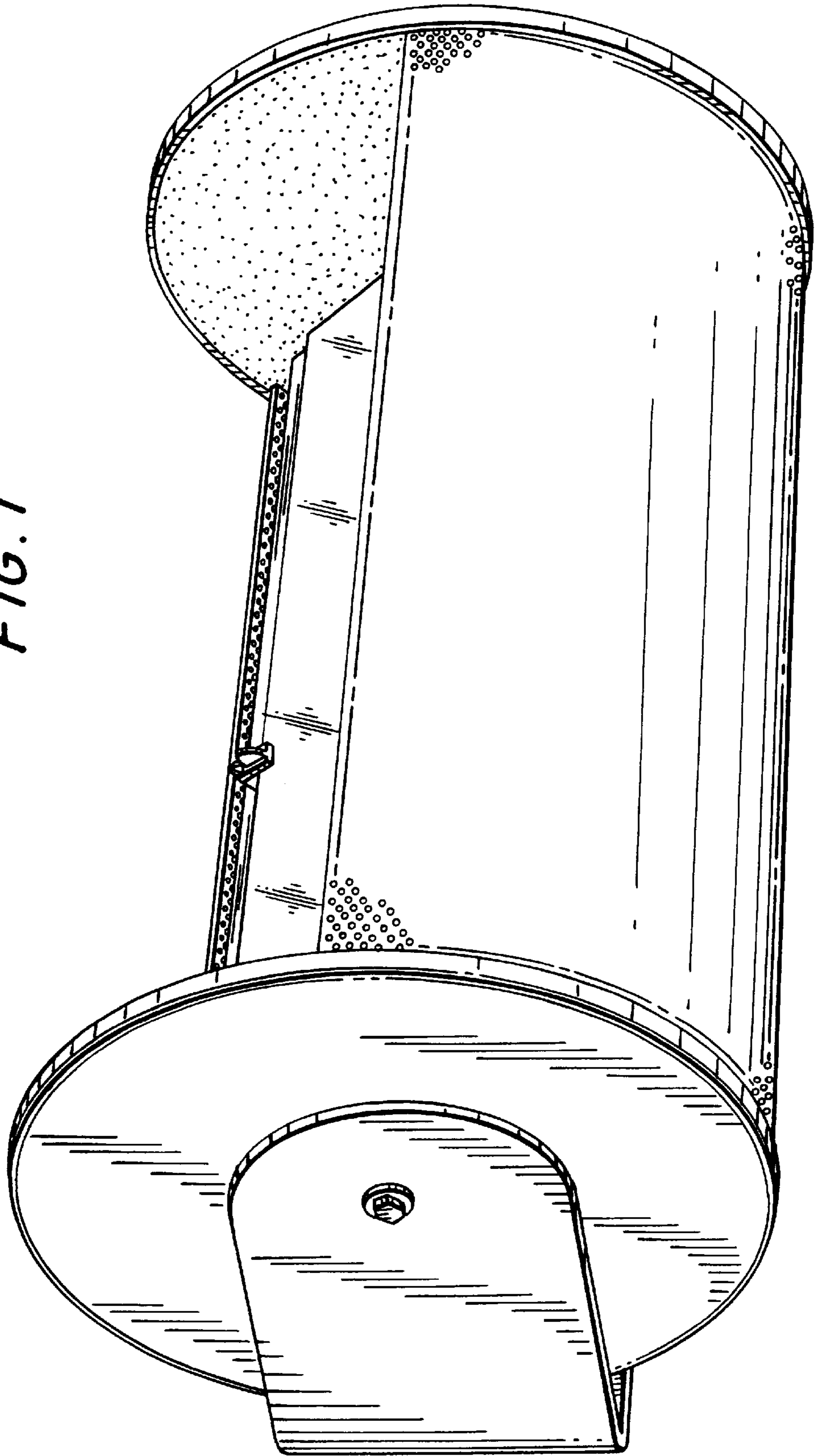


FIG. 1



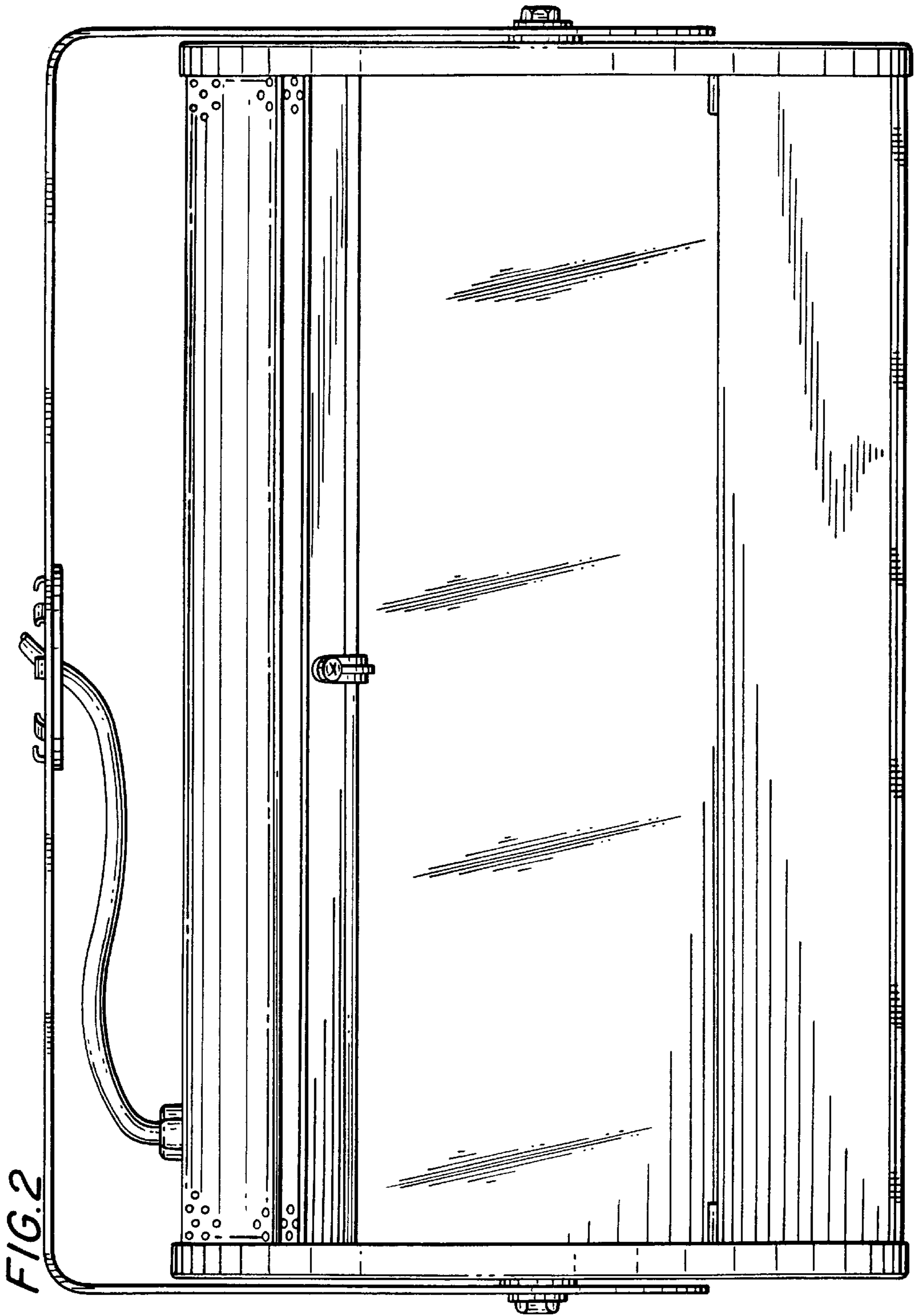
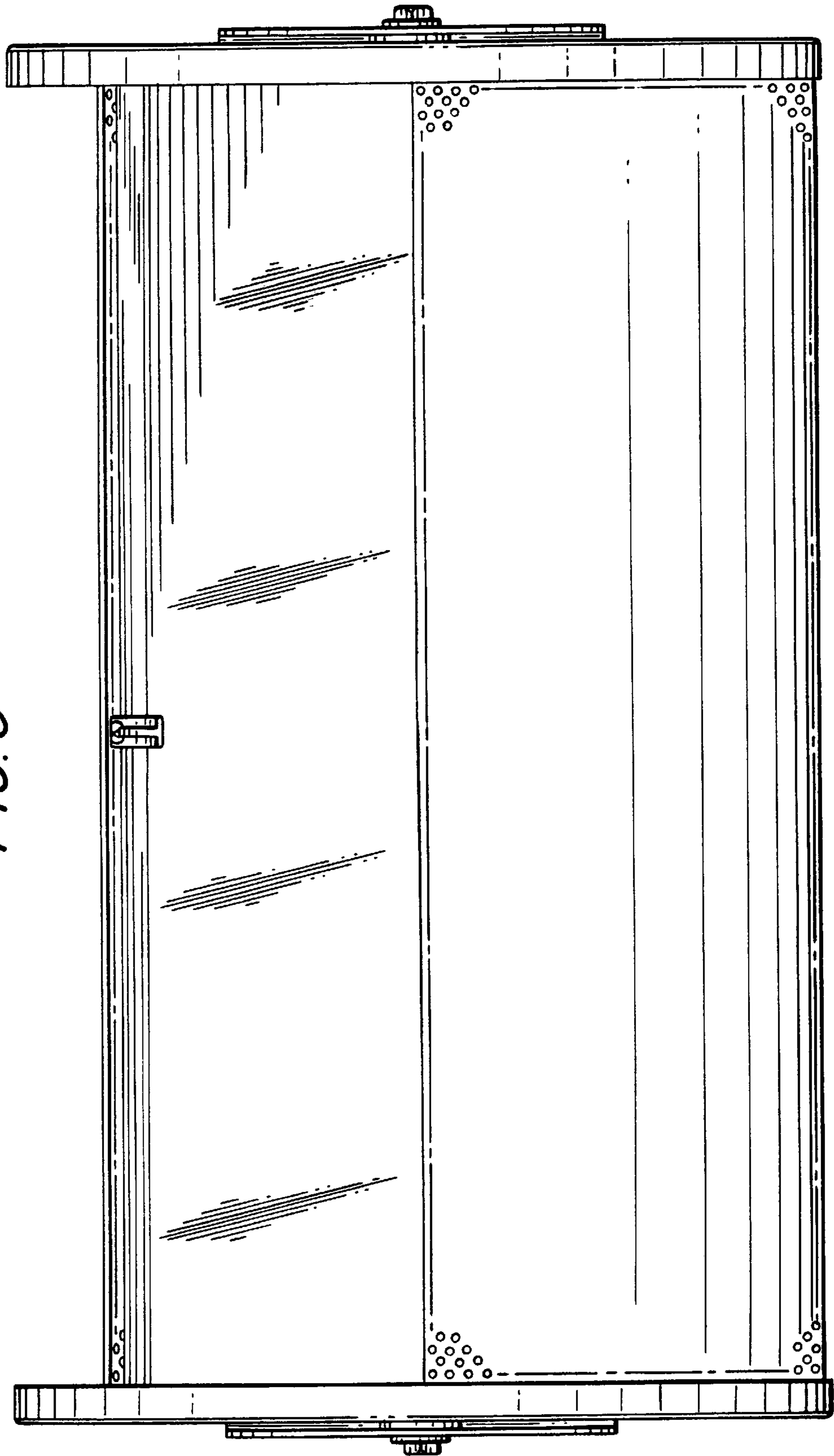


FIG. 3



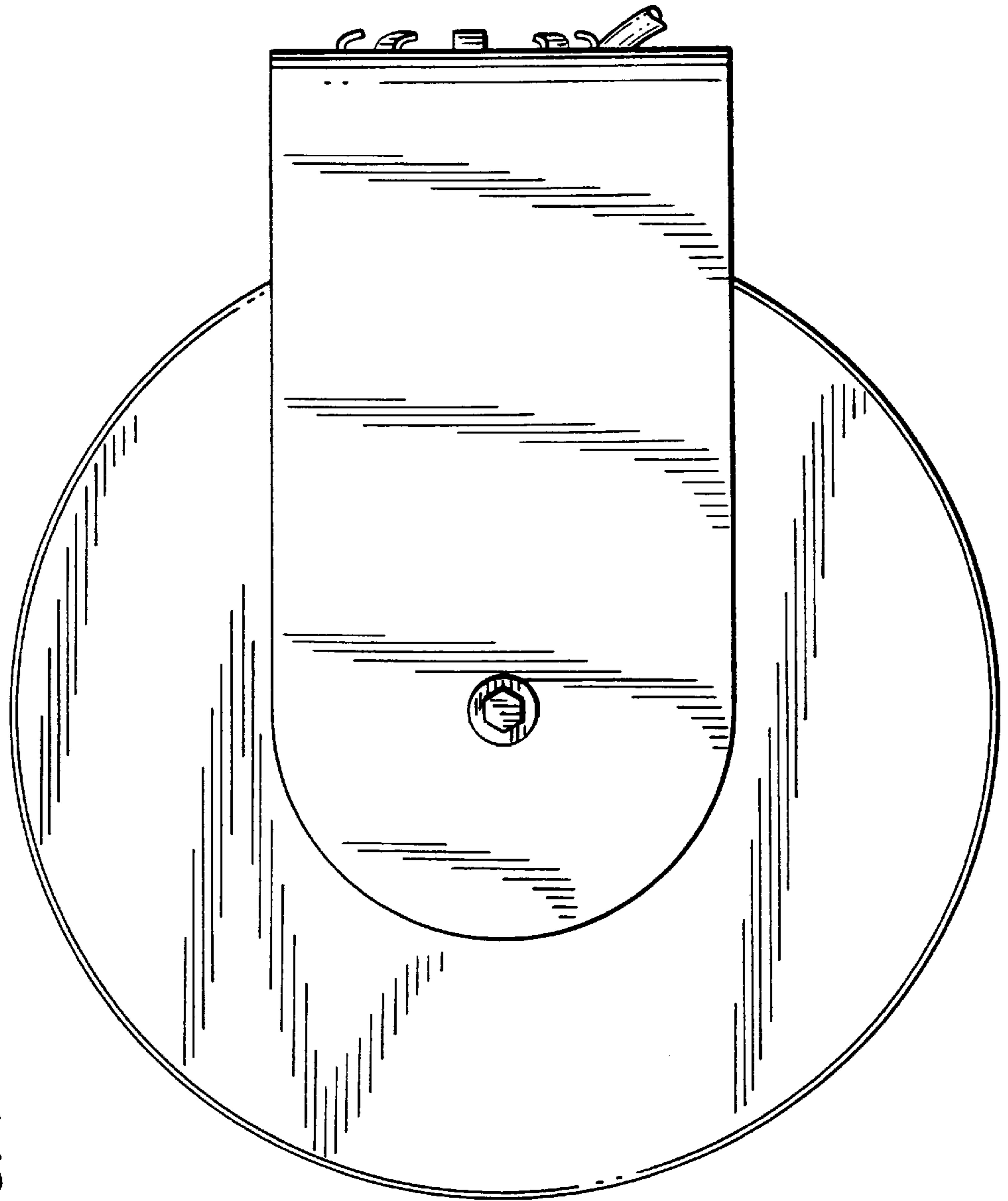
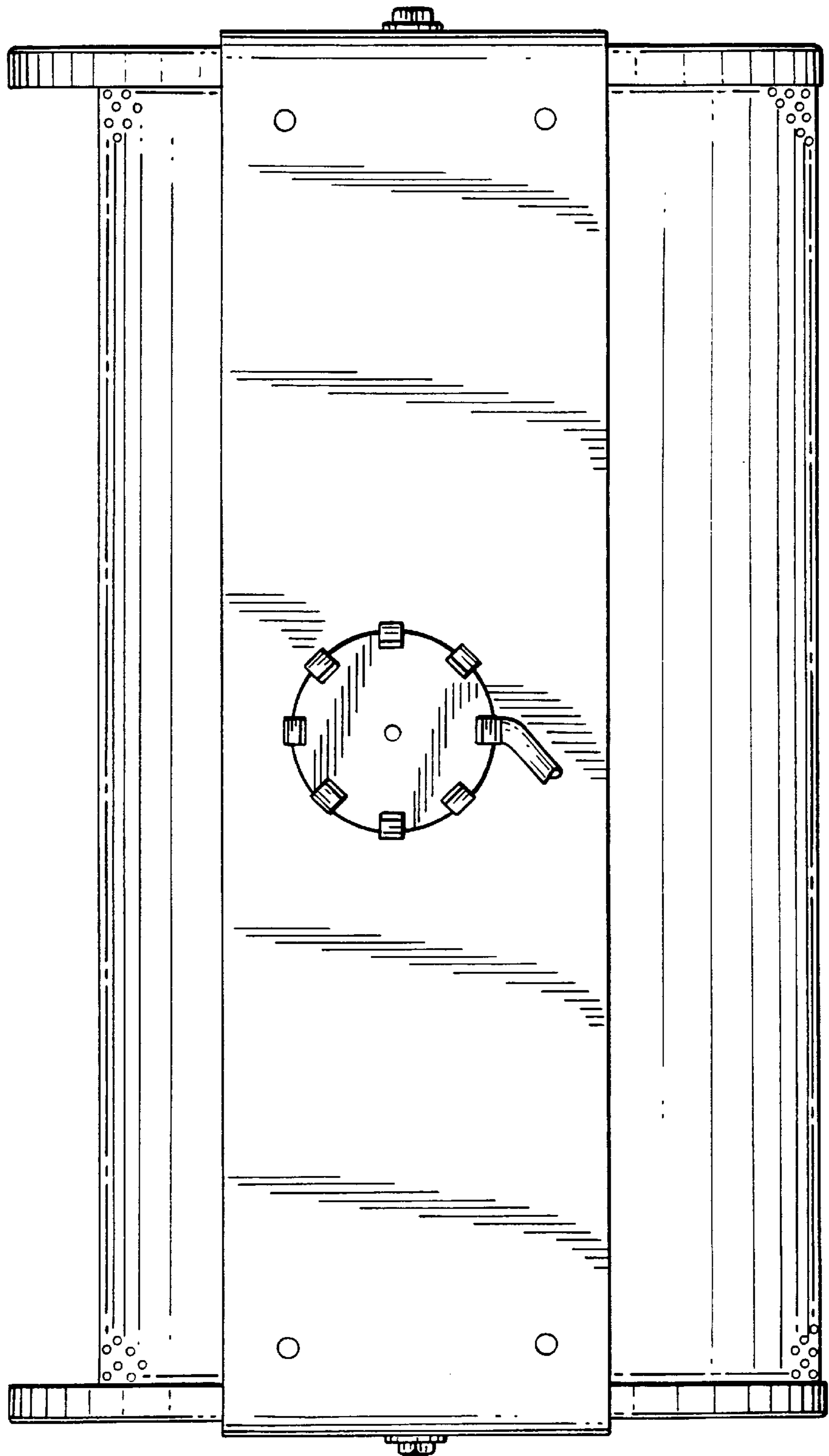


FIG. 4

FIG. 5



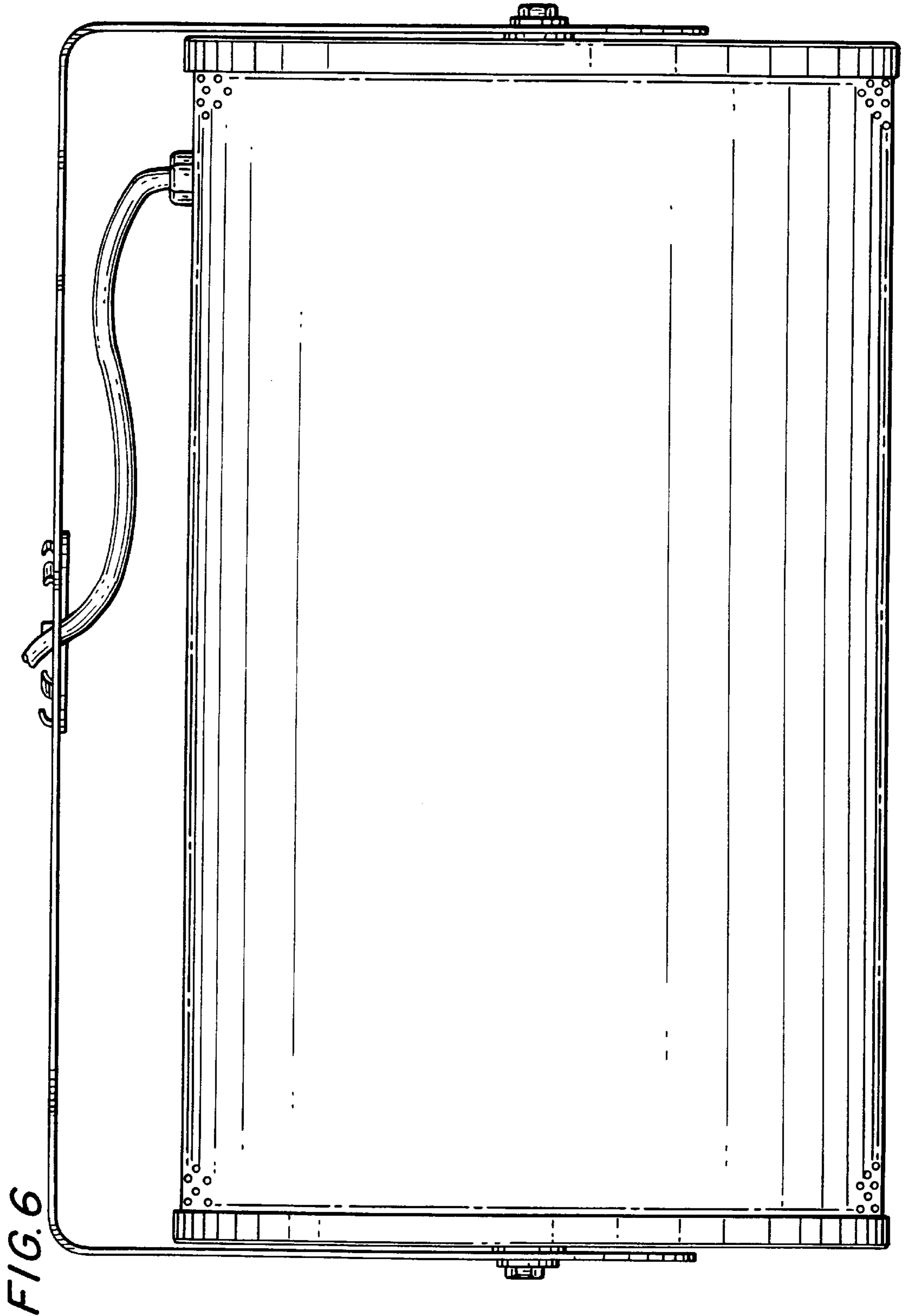


FIG. 7

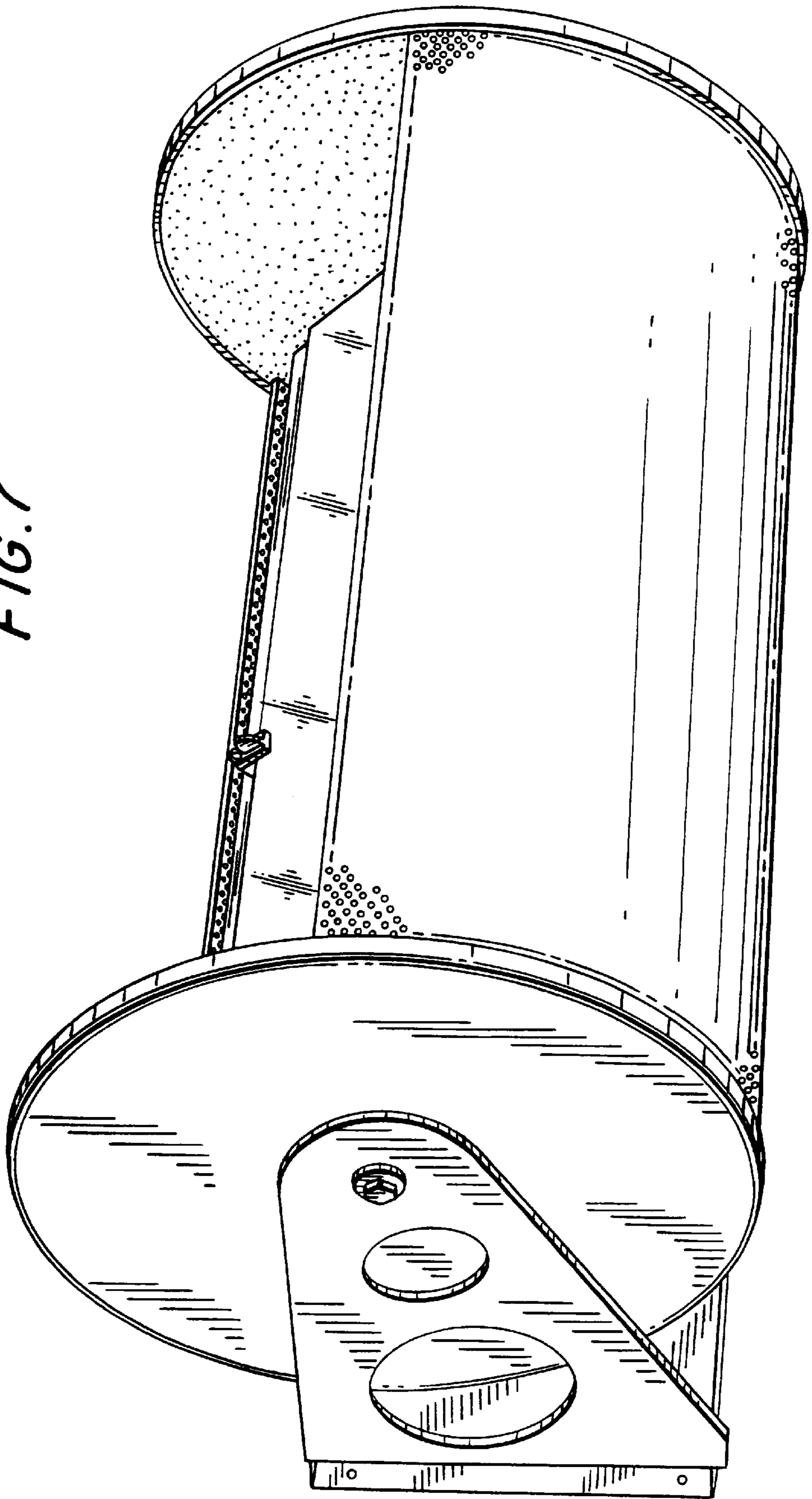


FIG. 8

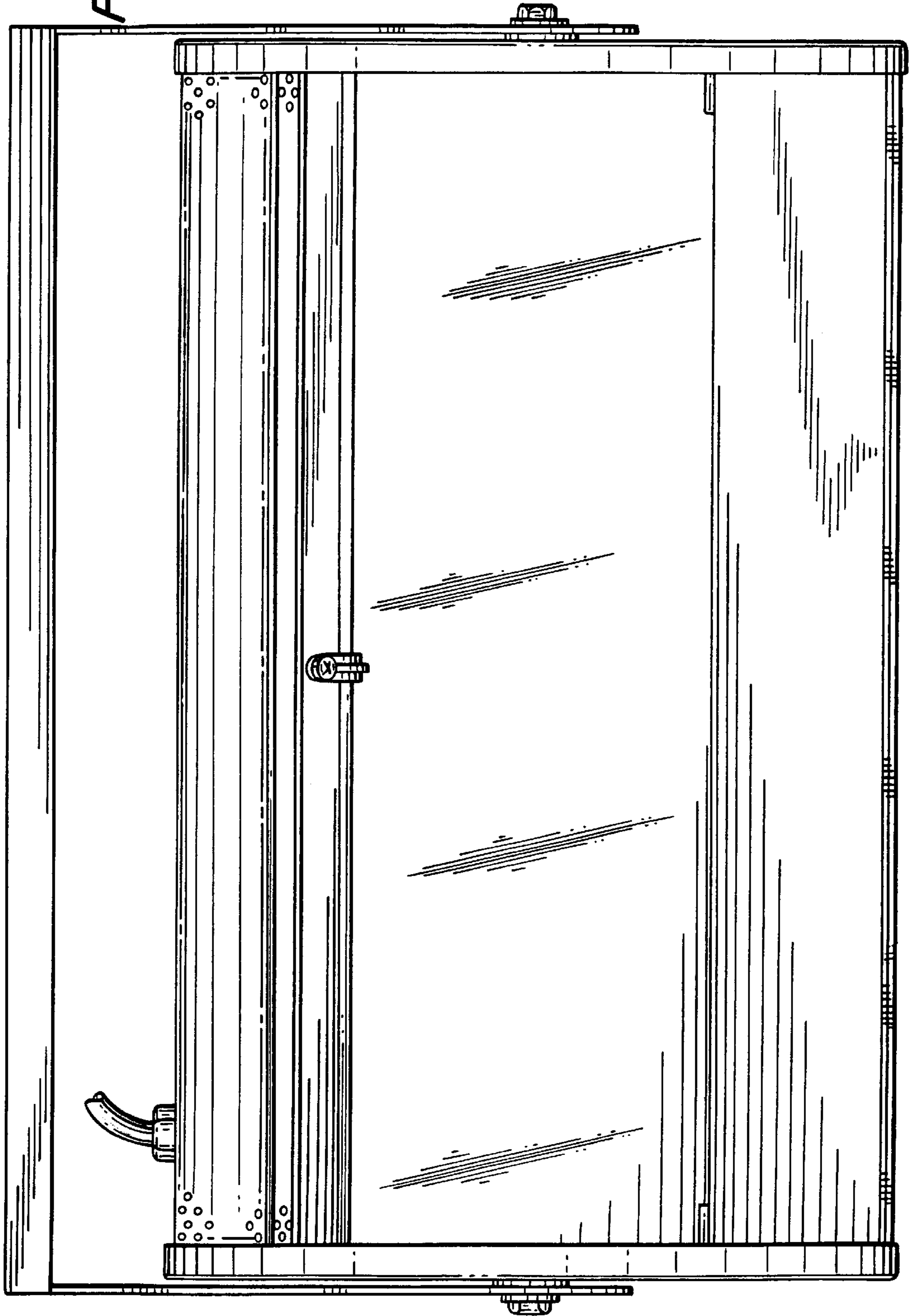


FIG. 9

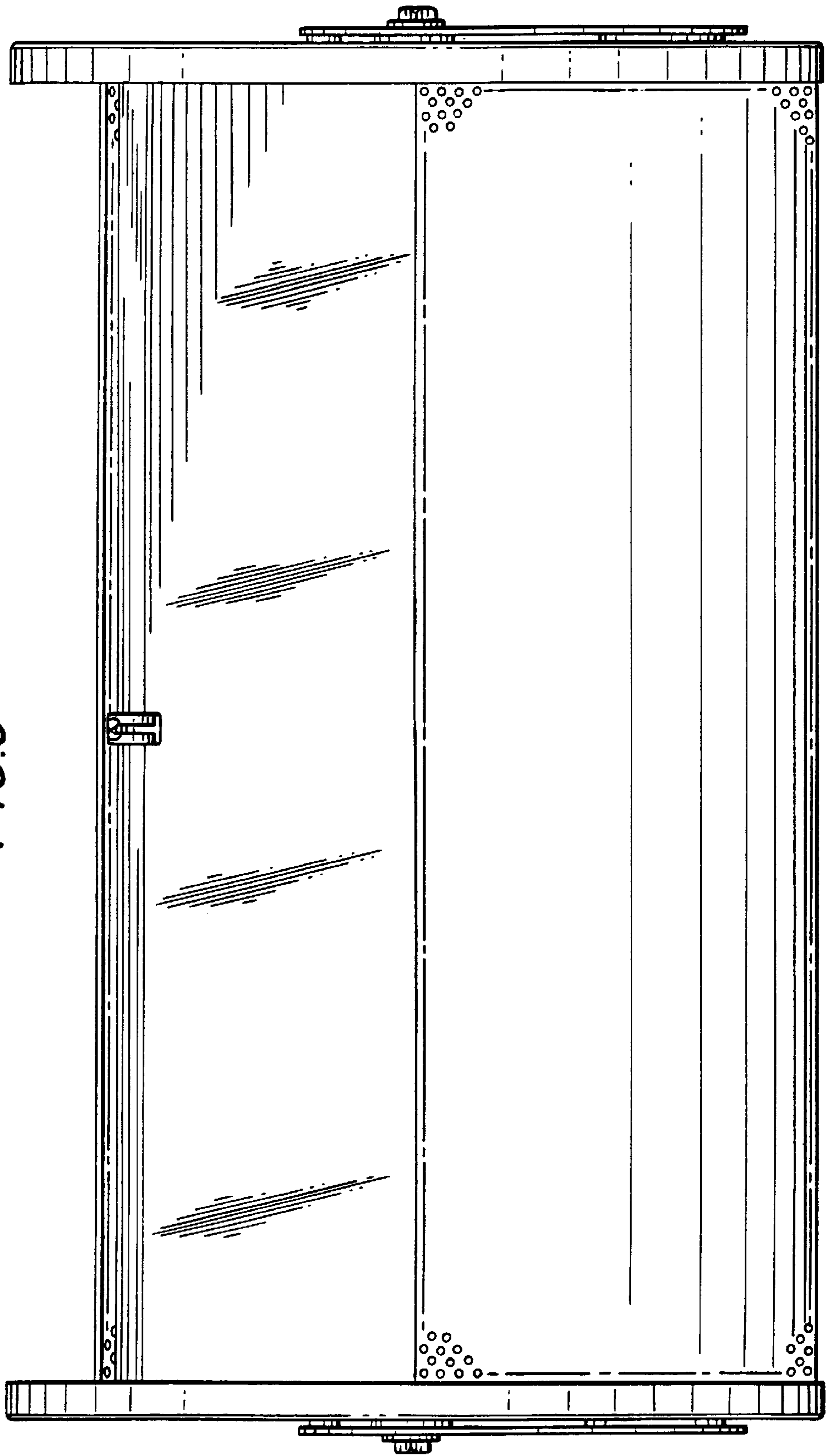


FIG. 10

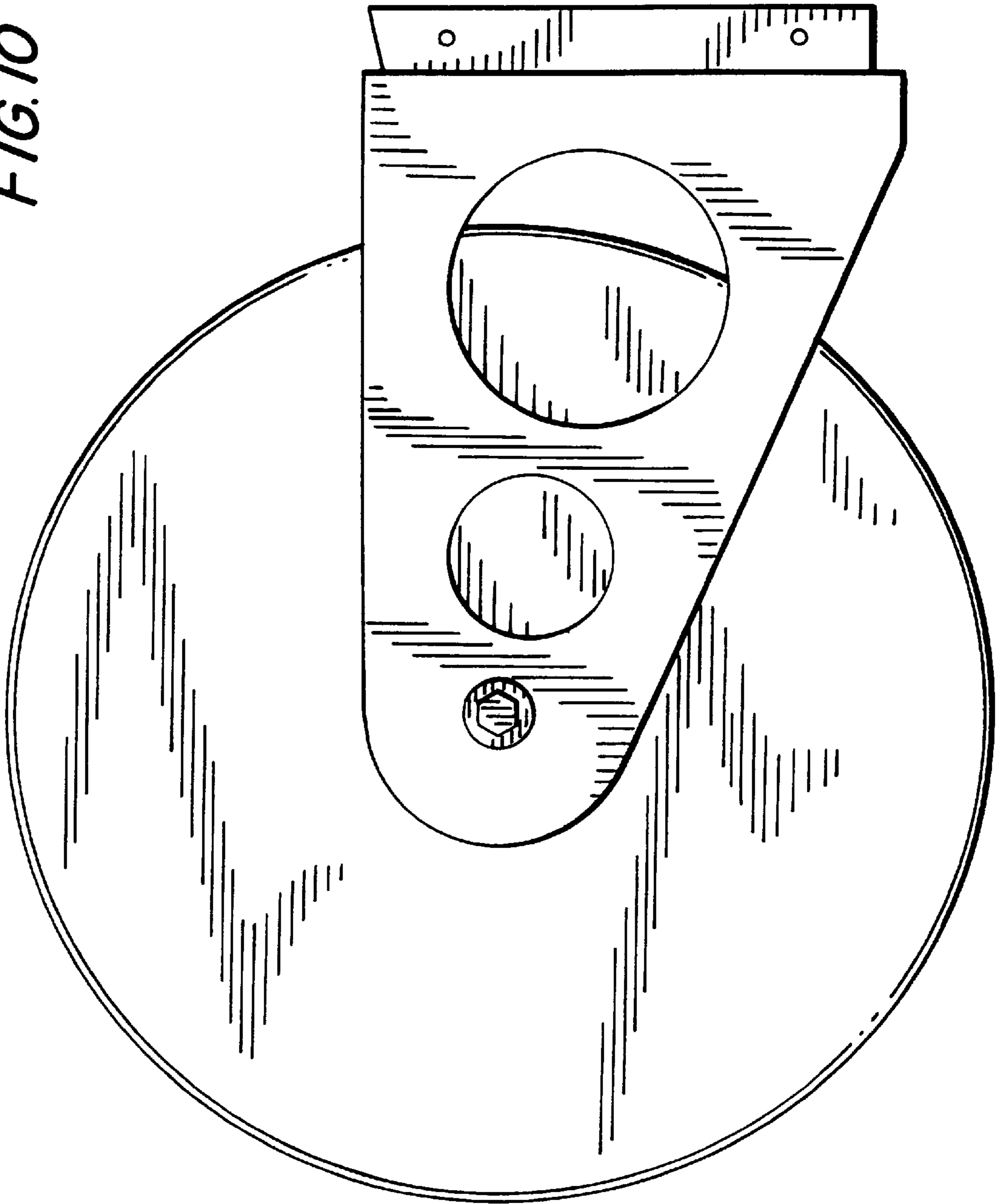
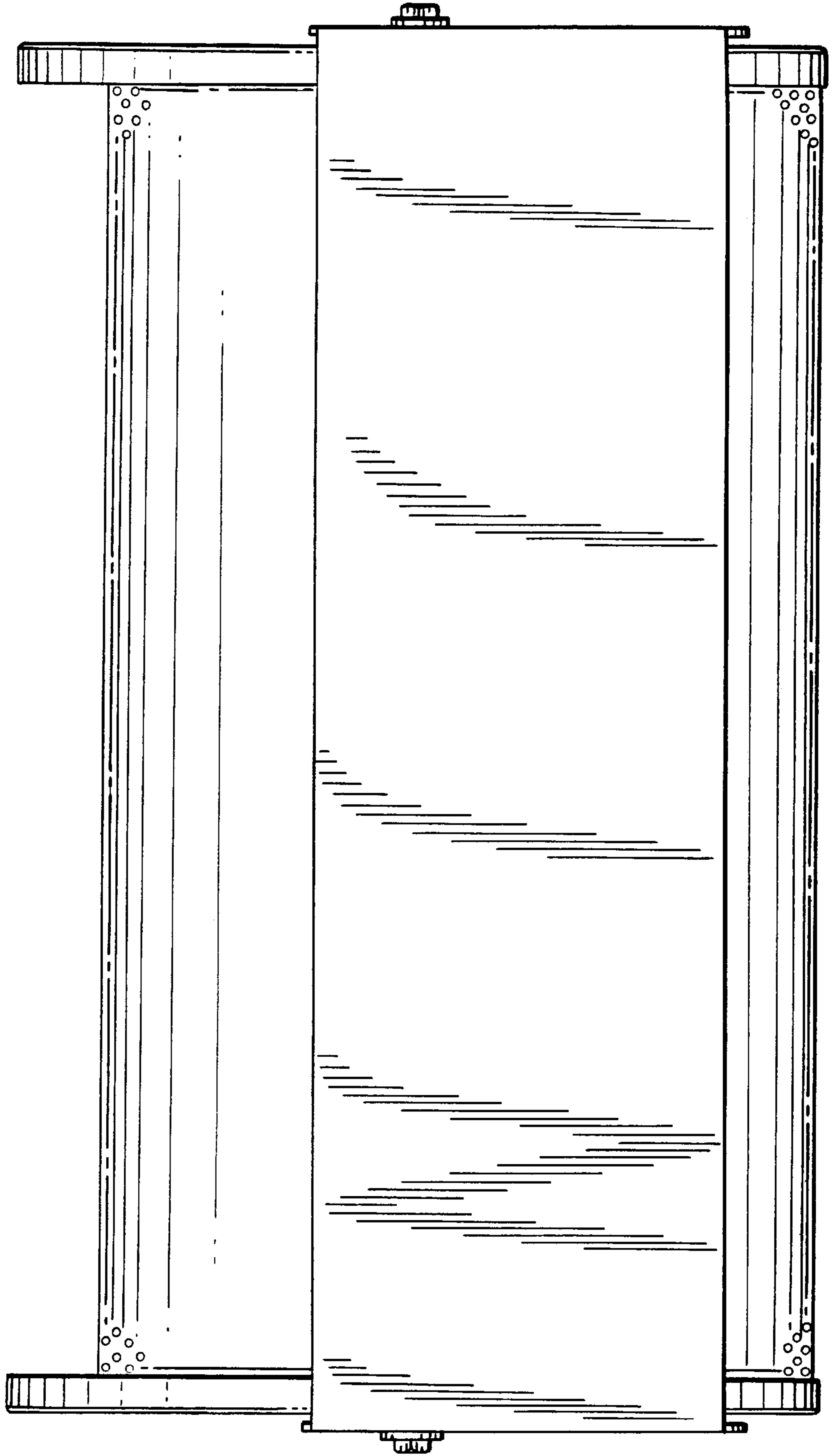


FIG. 11



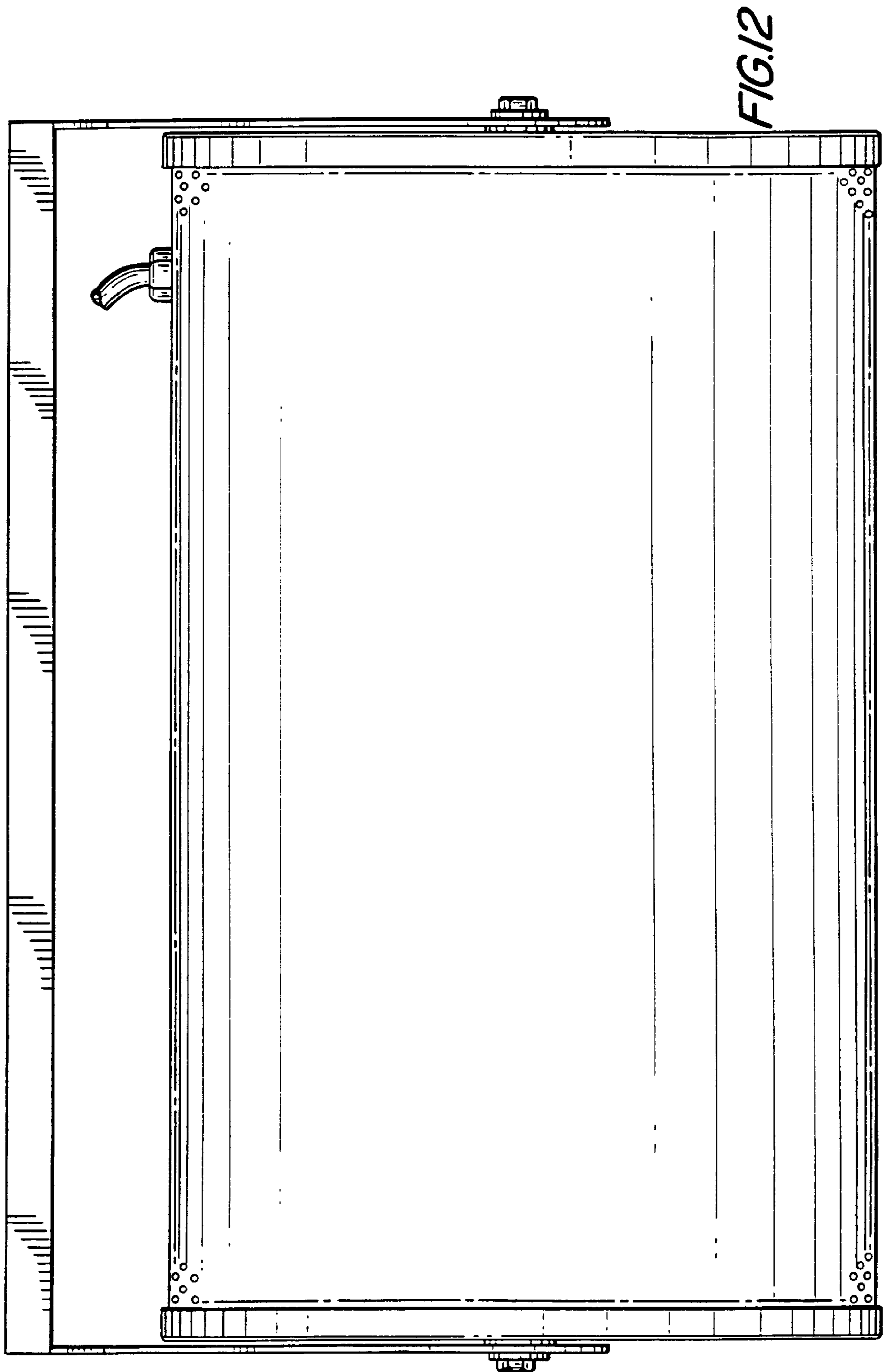


FIG. 12