



US00D430323S

United States Patent [19] Yuen

[11] Patent Number: Des. 430,323

[45] Date of Patent: ** Aug. 29, 2000

[54] LANTERN

[75] Inventor: **Se Kit Yuen**, Kwun Tong, The Hong Kong Special Administrative Region of the People's Republic of China

[73] Assignee: **John Manufacturing Limited**, Kowloon, The Hong Kong Special Administrative Region of the People's Republic of China

[**] Term: **14 Years**

[21] Appl. No.: **29/116,046**

[22] Filed: **Dec. 23, 1999**

[51] LOC (7) Cl. **26-02**

[52] U.S. Cl. **D26/46**

[58] Field of Search D26/37-50; 362/157, 362/158, 183-206

[56] **References Cited**

U.S. PATENT DOCUMENTS

- D. 257,540 11/1980 Yip .
- D. 293,825 1/1988 Jennings D26/46
- D. 321,264 10/1991 Yuen .
- D. 335,715 5/1993 Wan .
- D. 336,532 6/1993 Chi-Wing .
- D. 345,811 4/1994 Van Deursen et al. D26/46
- D. 348,740 7/1994 Yuen D26/46
- D. 350,752 9/1994 Yuen .
- D. 356,649 3/1995 Yuen .

- D. 361,636 8/1995 Poon .
- D. 364,936 12/1995 Leung .
- D. 371,356 7/1996 Maruyama .
- D. 376,864 12/1996 Yuen .
- D. 382,876 8/1997 Yuen .
- D. 409,320 5/1999 Yuen .

FOREIGN PATENT DOCUMENTS

- 2082983 of 1999 United Kingdom .
- 2082886 9/1999 United Kingdom .

Primary Examiner—Marcus A. Jackson
Attorney, Agent, or Firm—Merchant & Gould P.C.

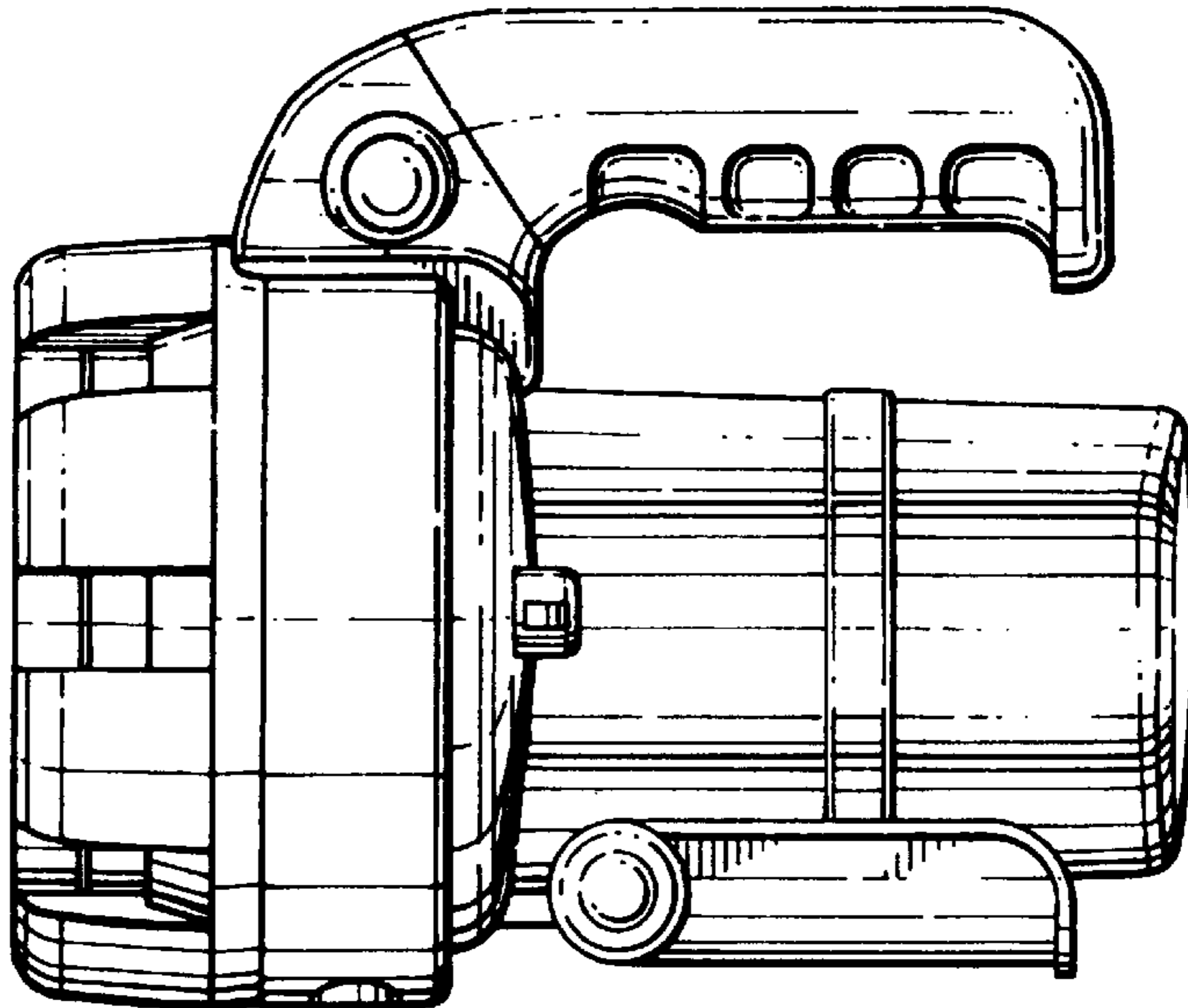
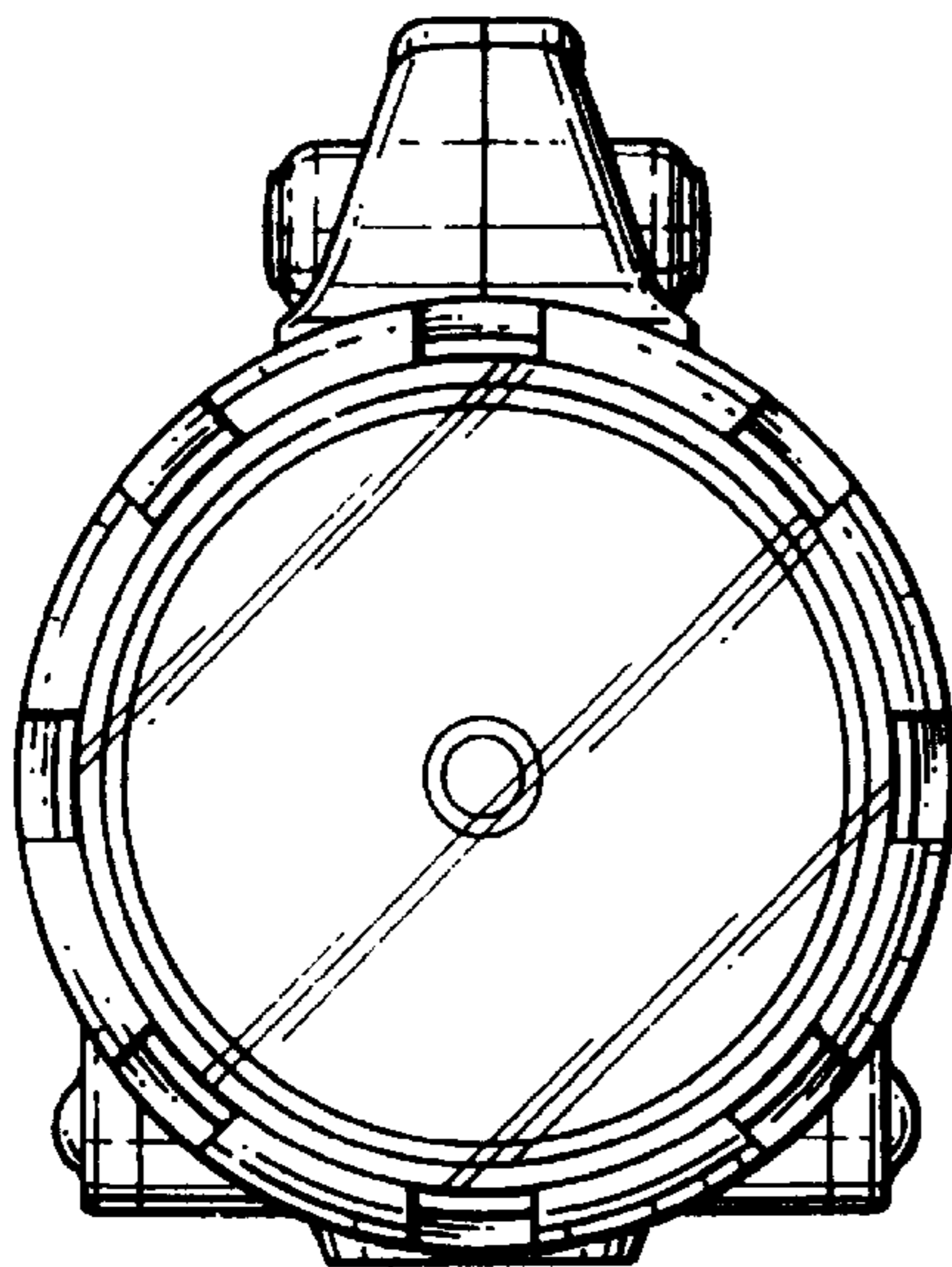
[57] **CLAIM**

The ornamental design for a lantern, as shown and described.

DESCRIPTION

FIG. 1 is a front plan view of an embodiment of a lantern showing my new design;
 FIG. 2 is a rear plan view thereof;
 FIG. 3 is a left side plan view thereof;
 FIG. 4 is a right side plan view thereof;
 FIG. 5 is a top plan view thereof;
 FIG. 6 is bottom plan view thereof;
 FIG. 7 is a figure similar to that shown in FIG. 4 in an alternative position; and,
 FIG. 8 is a figure similar to that shown in FIG. 4 in another alternative position.

1 Claim, 3 Drawing Sheets



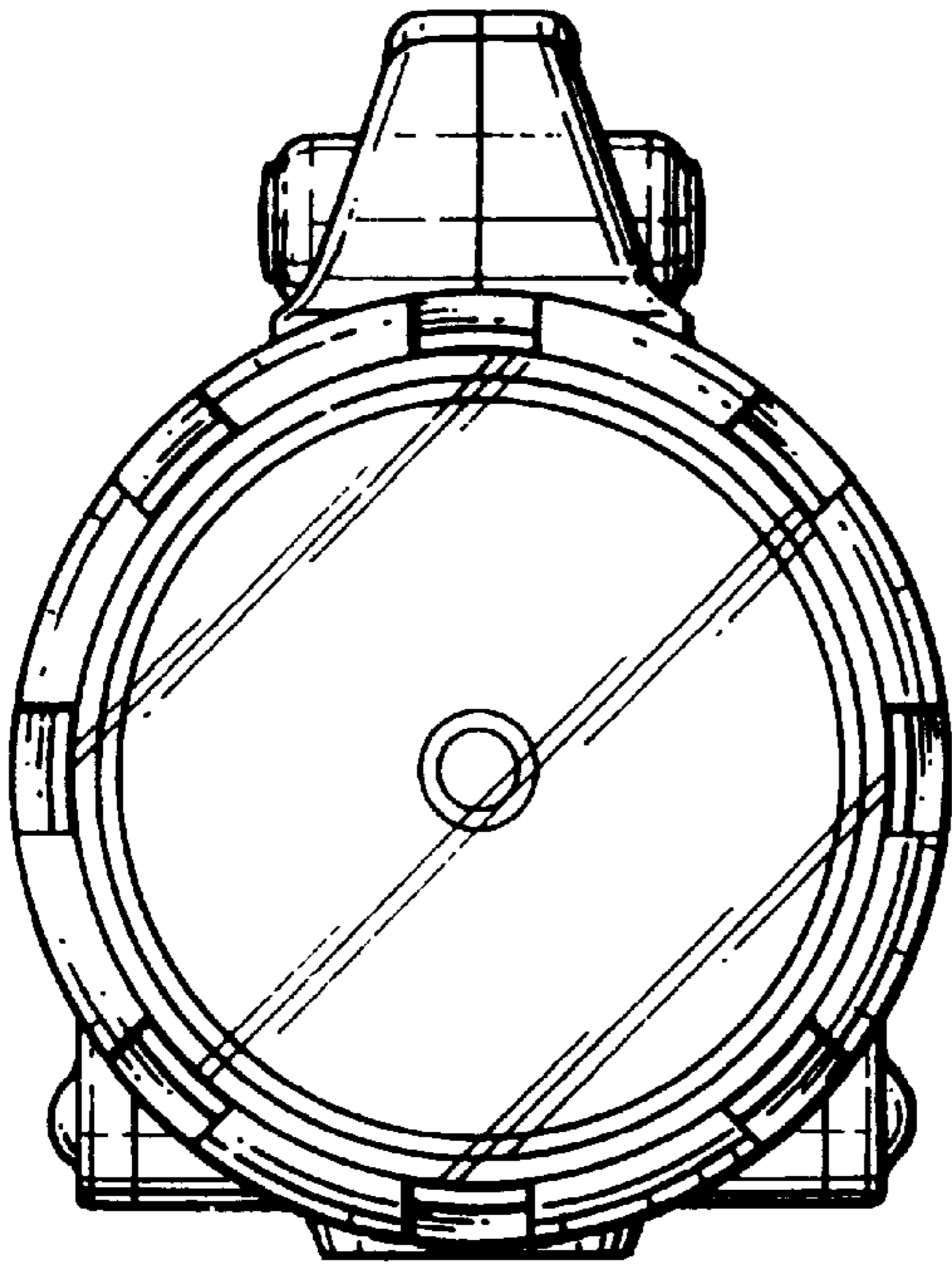


FIG. 1

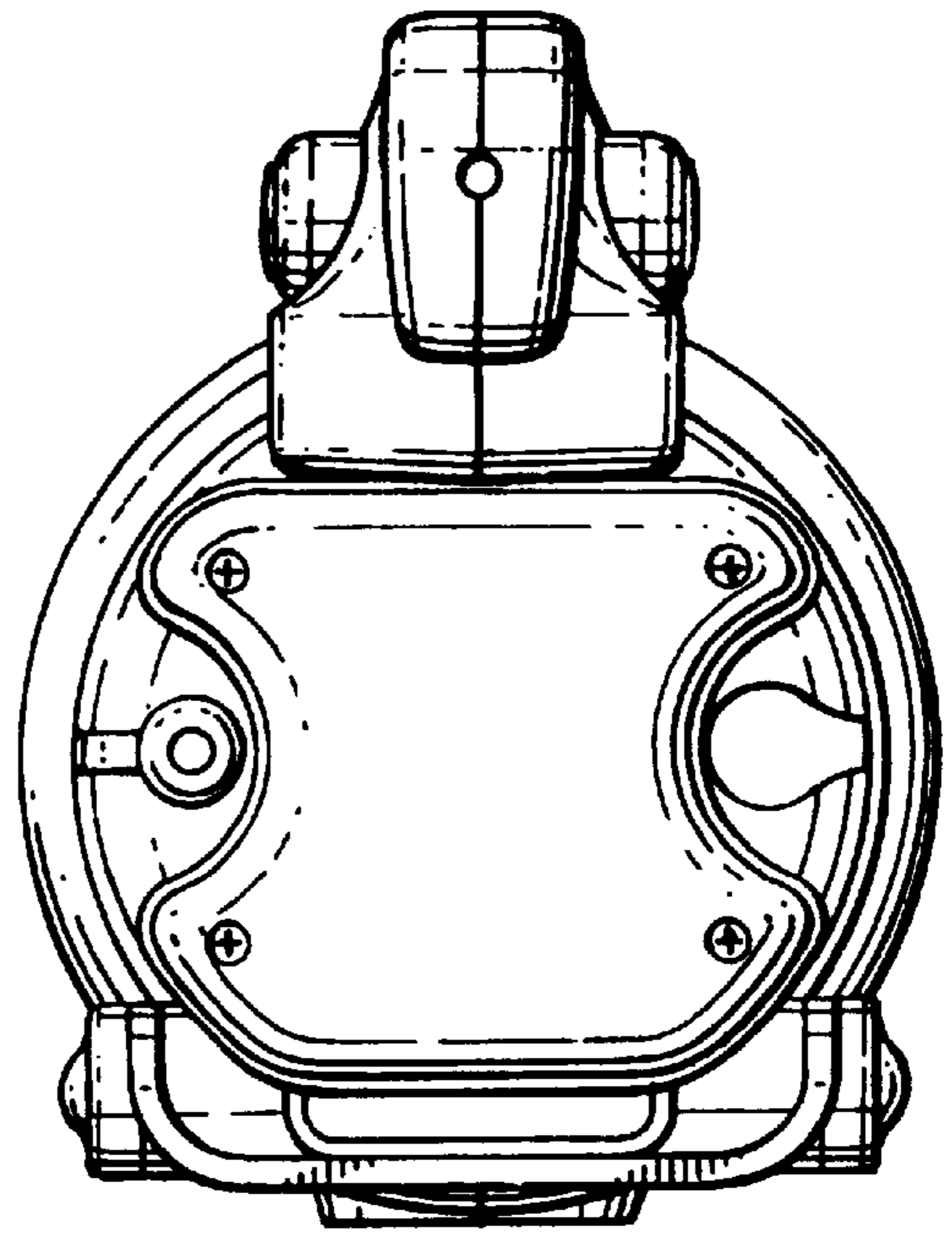


FIG. 2

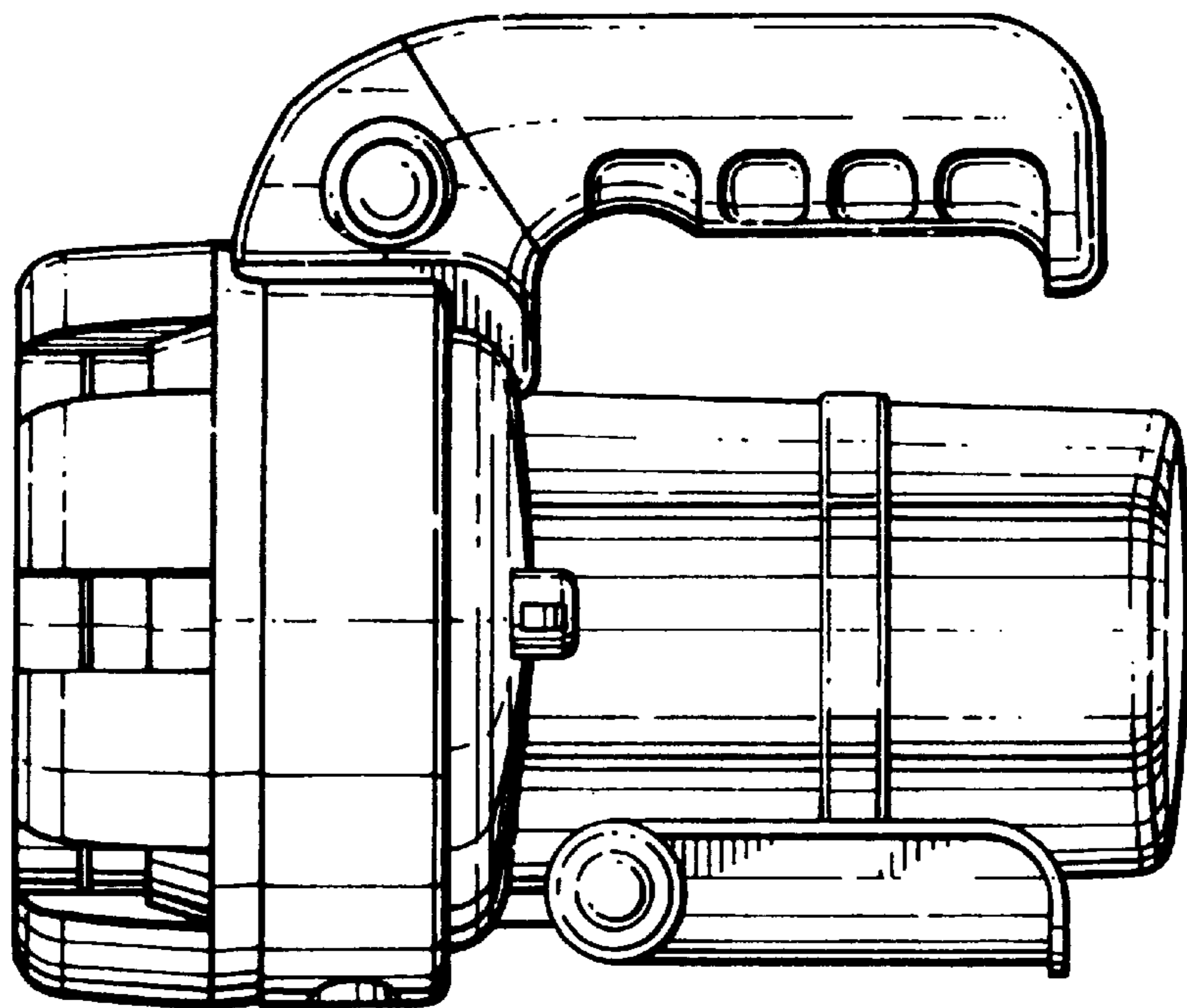


FIG. 3

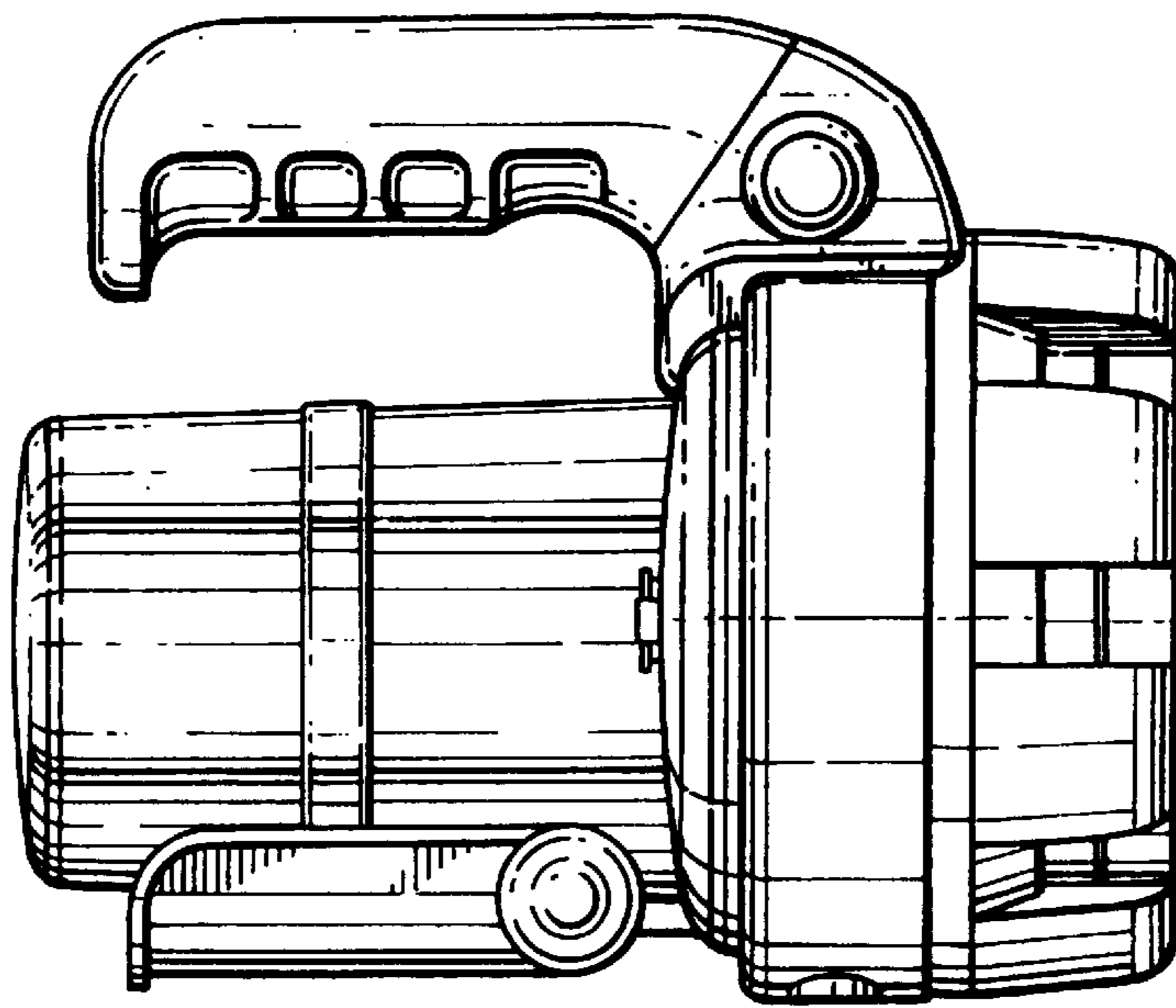


FIG. 4

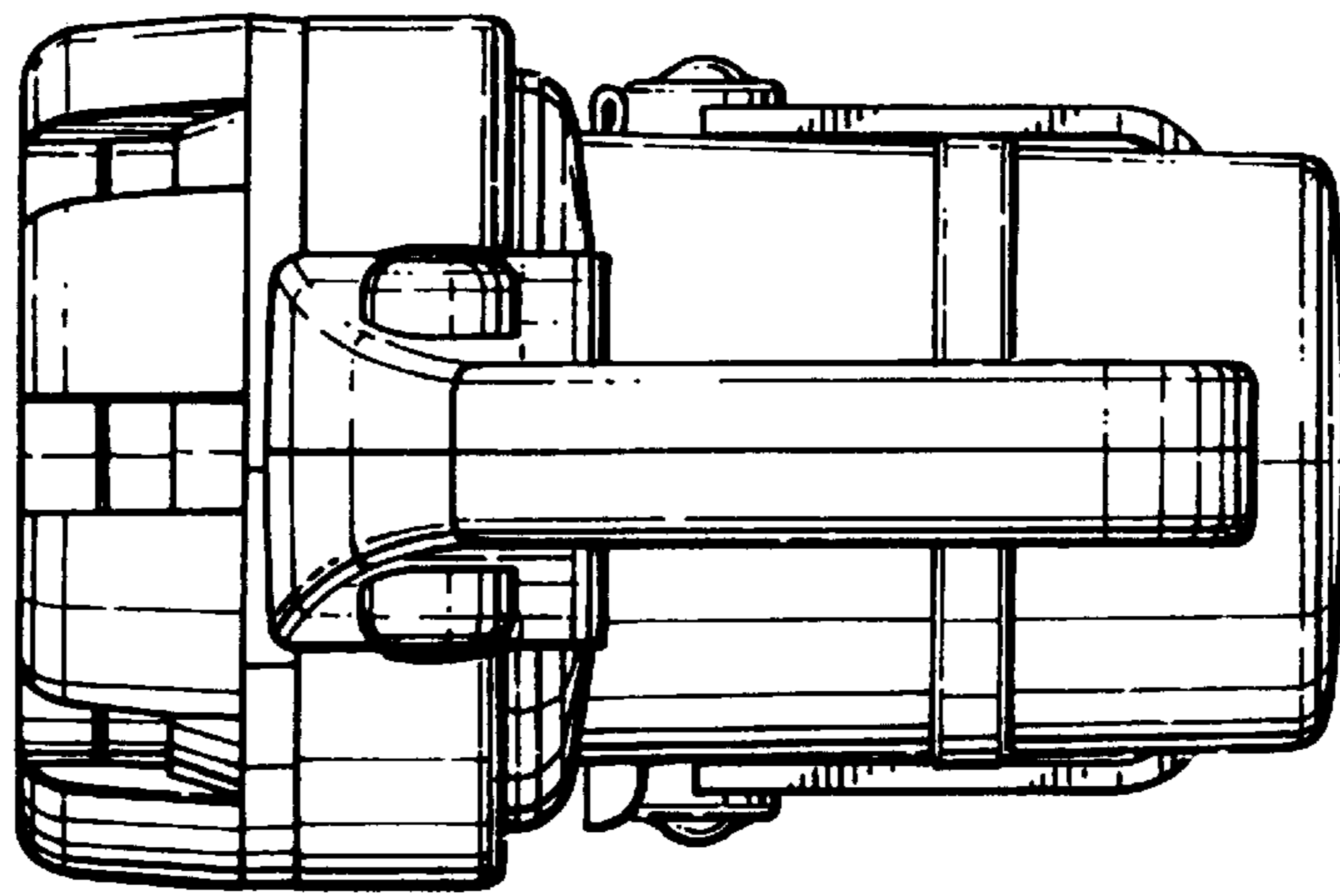


FIG. 5

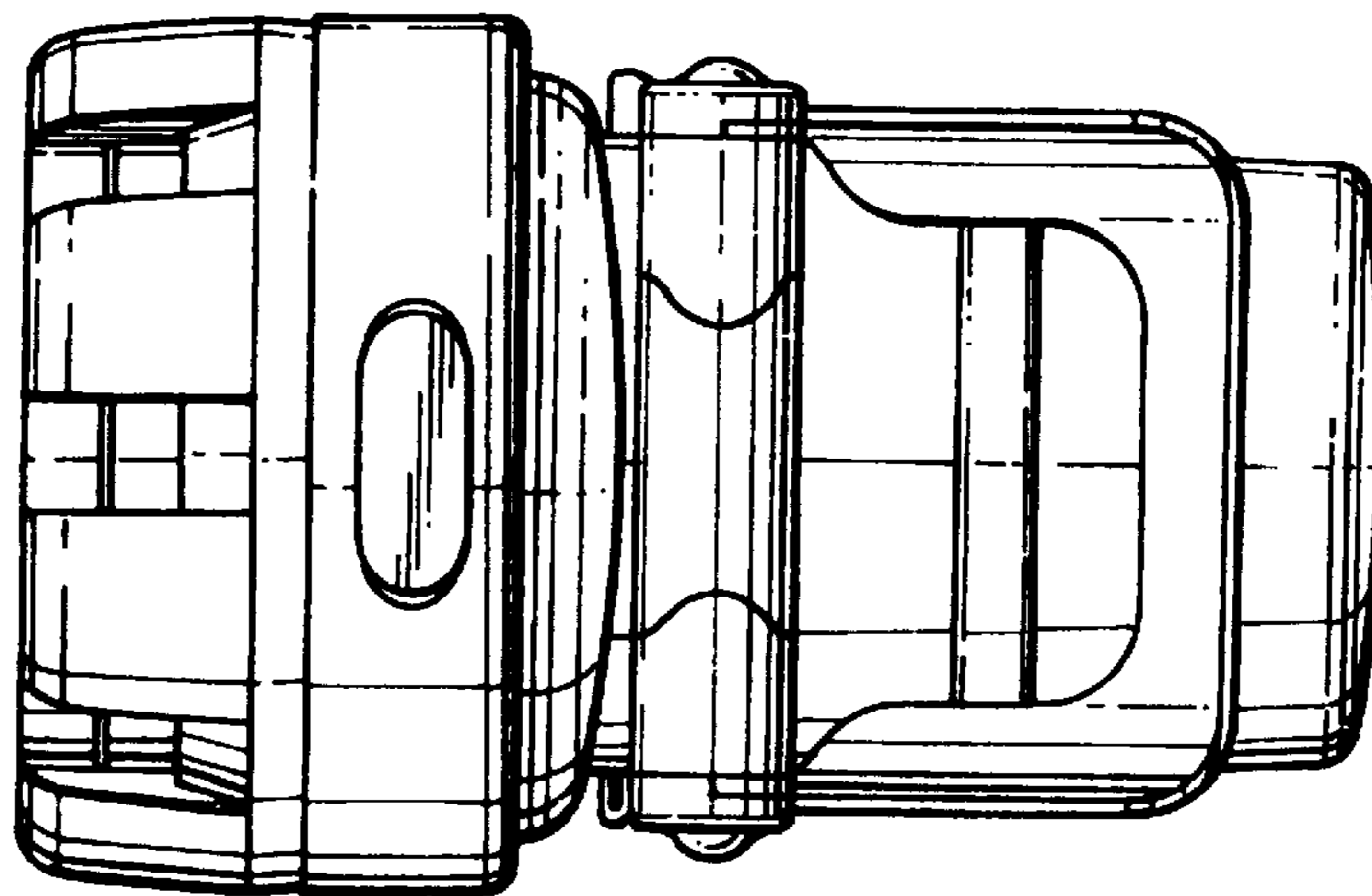


FIG. 6

FIG. 7

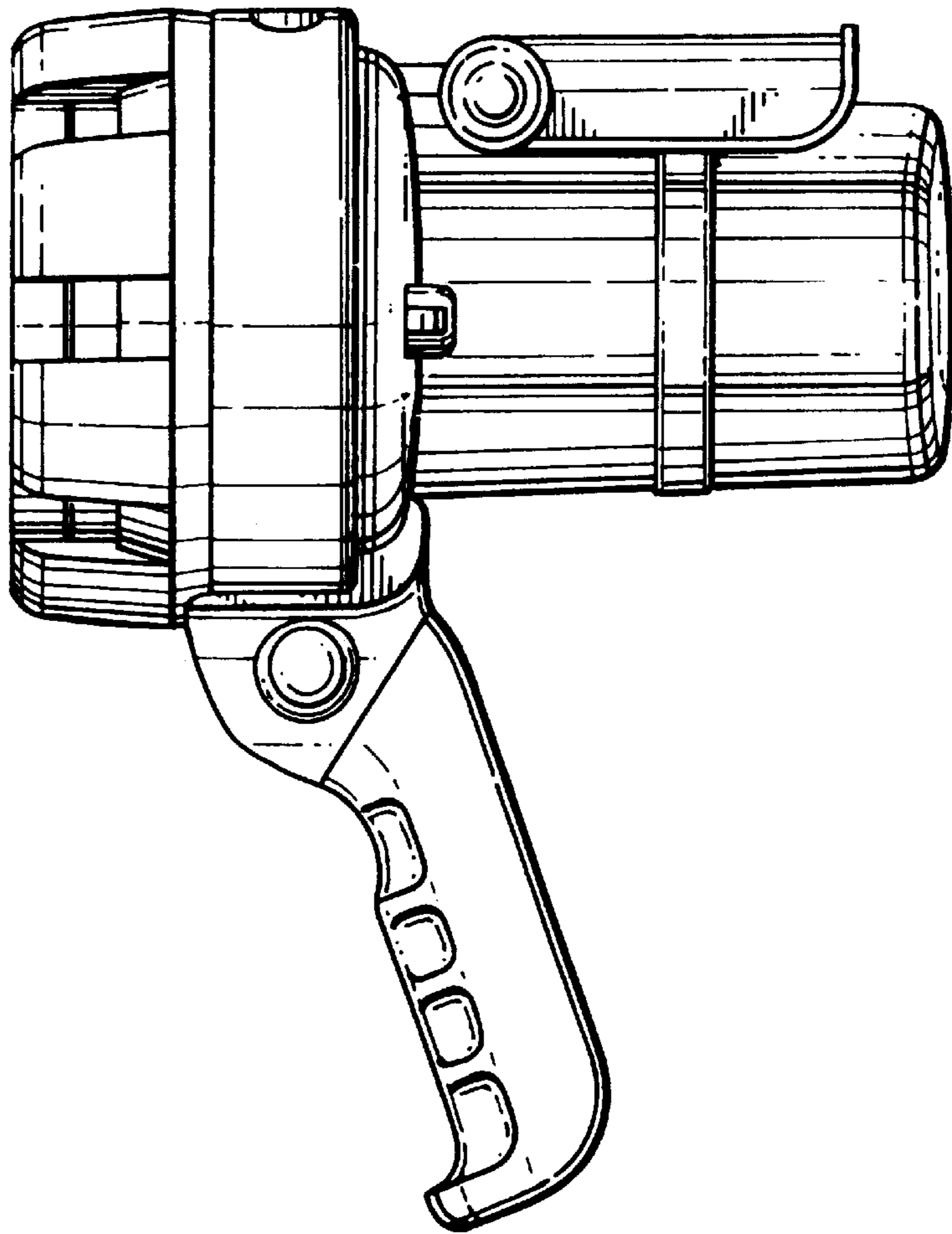
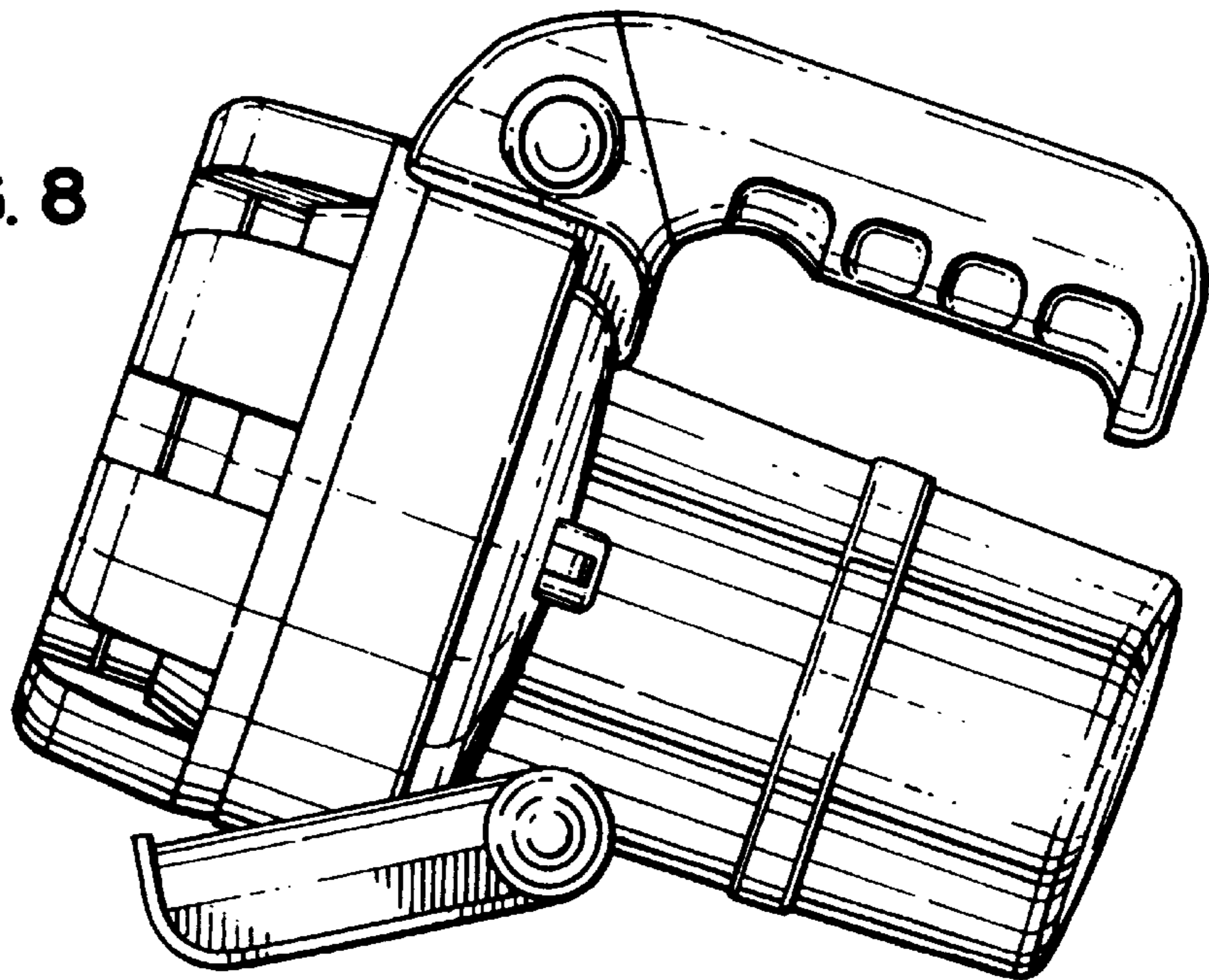


FIG. 8



UNITED STATES PATENT AND TRADEMARK OFFICE
CERTIFICATE OF CORRECTION

PATENT NO. : Des. 430,323
DATED : August 29, 2000
INVENTOR(S) : Yuen

Page 1 of 1

It is certified that error appears in the above-identified patent and that said Letters Patent is hereby corrected as shown below:

Title page,

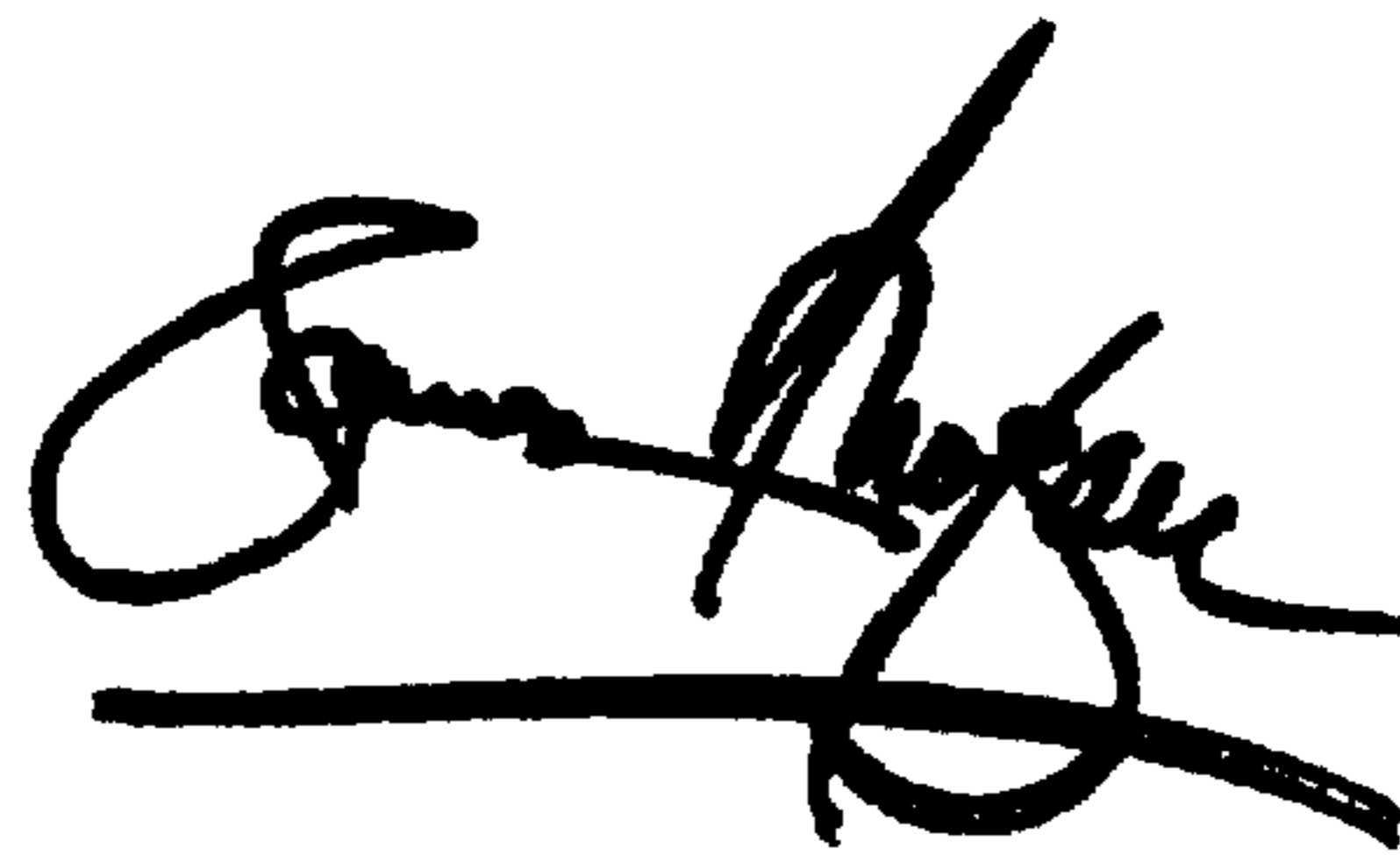
Insert -- [30] **Foreign Application Priority Data**

Oct. 4, 1999 [GB] United Kingdom2087116 --

Signed and Sealed this

Ninth Day of April, 2002

Attest:



Attesting Officer

JAMES E. ROGAN
Director of the United States Patent and Trademark Office