



US00D430322S

United States Patent [19]

Lee

[11] **Patent Number: Des. 430,322**

[45] **Date of Patent: ** Aug. 29, 2000**

[54] **SOLAR RECHARGEABLE FLOATING FLASHLIGHT RADIO**

D. 388,785 1/1998 Yuen D26/38
D. 394,911 6/1998 Yuen D26/38
D. 395,721 6/1998 Wan D26/38

[75] Inventor: **Kenneth Gokhing Lee**, Kowloon, The Hong Kong Special Administrative Region of the People's Republic of China

Primary Examiner—Marcus A. Jackson
Attorney, Agent, or Firm—Birch, Stewart, Kolasch & Birch, LLP

[73] Assignee: **Ten Forward Ltd.**, Kwai Chung, The Hong Kong Special Administrative Region of the People's Republic of China

[57] CLAIM

The ornamental design for a solar rechargeable floating flashlight radio, as shown and described.

[**] Term: **14 Years**

DESCRIPTION

[21] Appl. No.: **29/116,125**

FIG. 1 is a left side elevational view of a solar rechargeable floating flashlight radio showing my new design;

[22] Filed: **Dec. 22, 1999**

FIG. 2 is a right side elevational view thereof;

[51] **LOC (7) Cl.** **26-02**

[52] **U.S. Cl.** **D26/38**

FIG. 3 is a top plan view thereof;

[58] **Field of Search** D26/37-50; D14/188, D14/189, 192-198; 362/157, 158, 183-205

FIG. 4 is a bottom plan view thereof;

FIG. 5 is a front elevational view thereof; and,

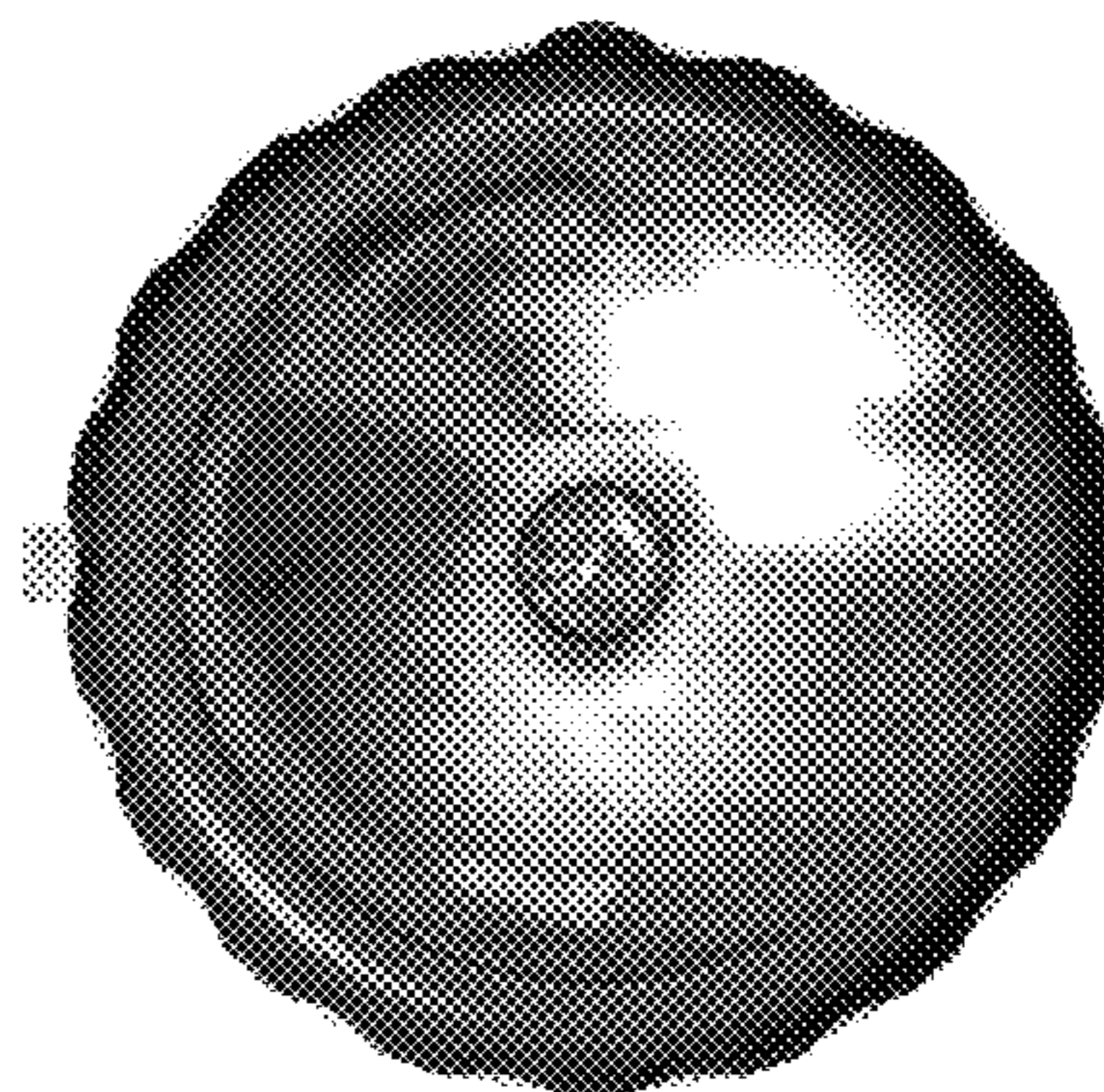
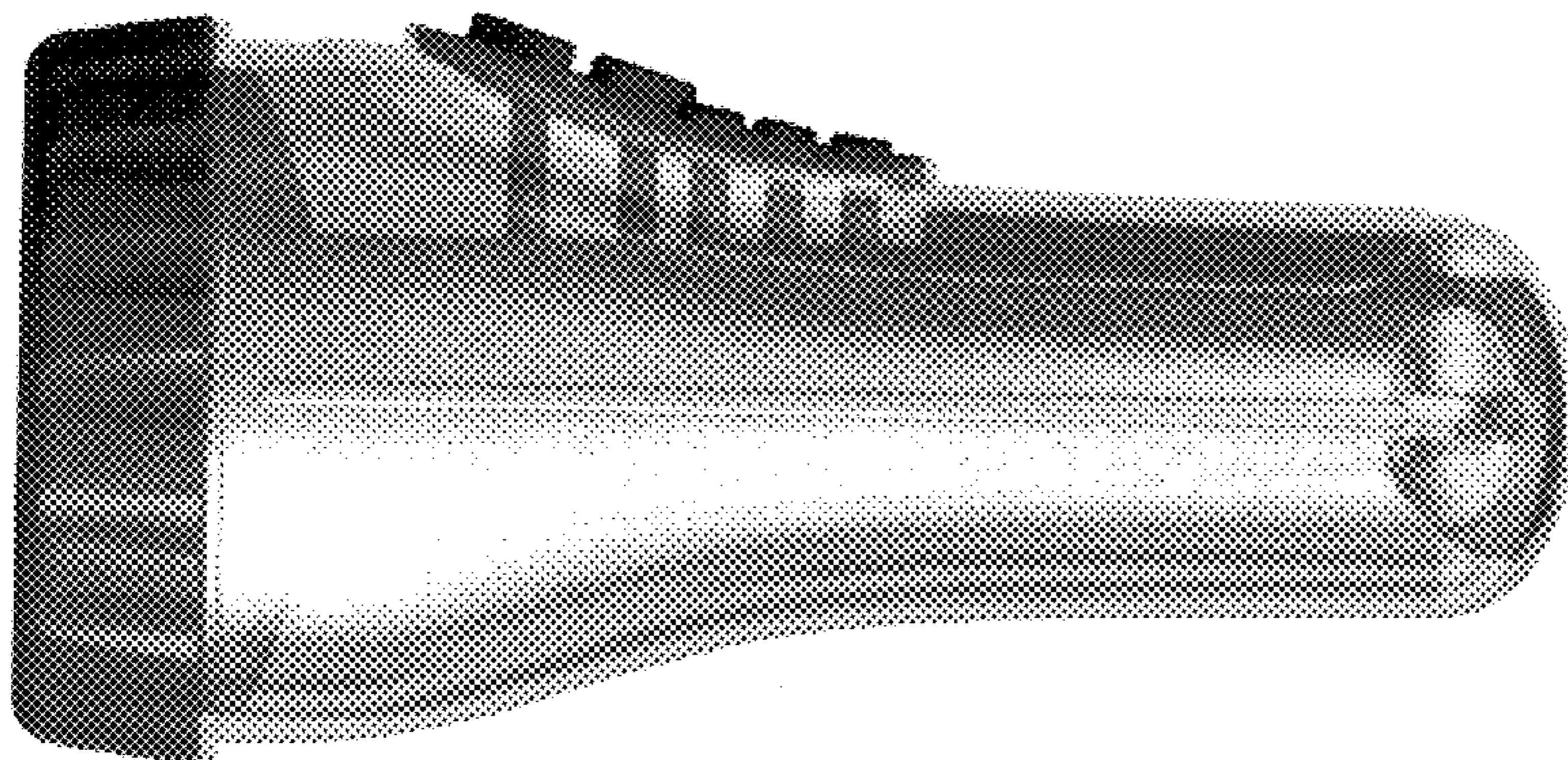
FIG. 6 is a rear elevational view thereof.

[56] References Cited

U.S. PATENT DOCUMENTS

D. 385,984 11/1997 Wan D26/38

1 Claim, 3 Drawing Sheets



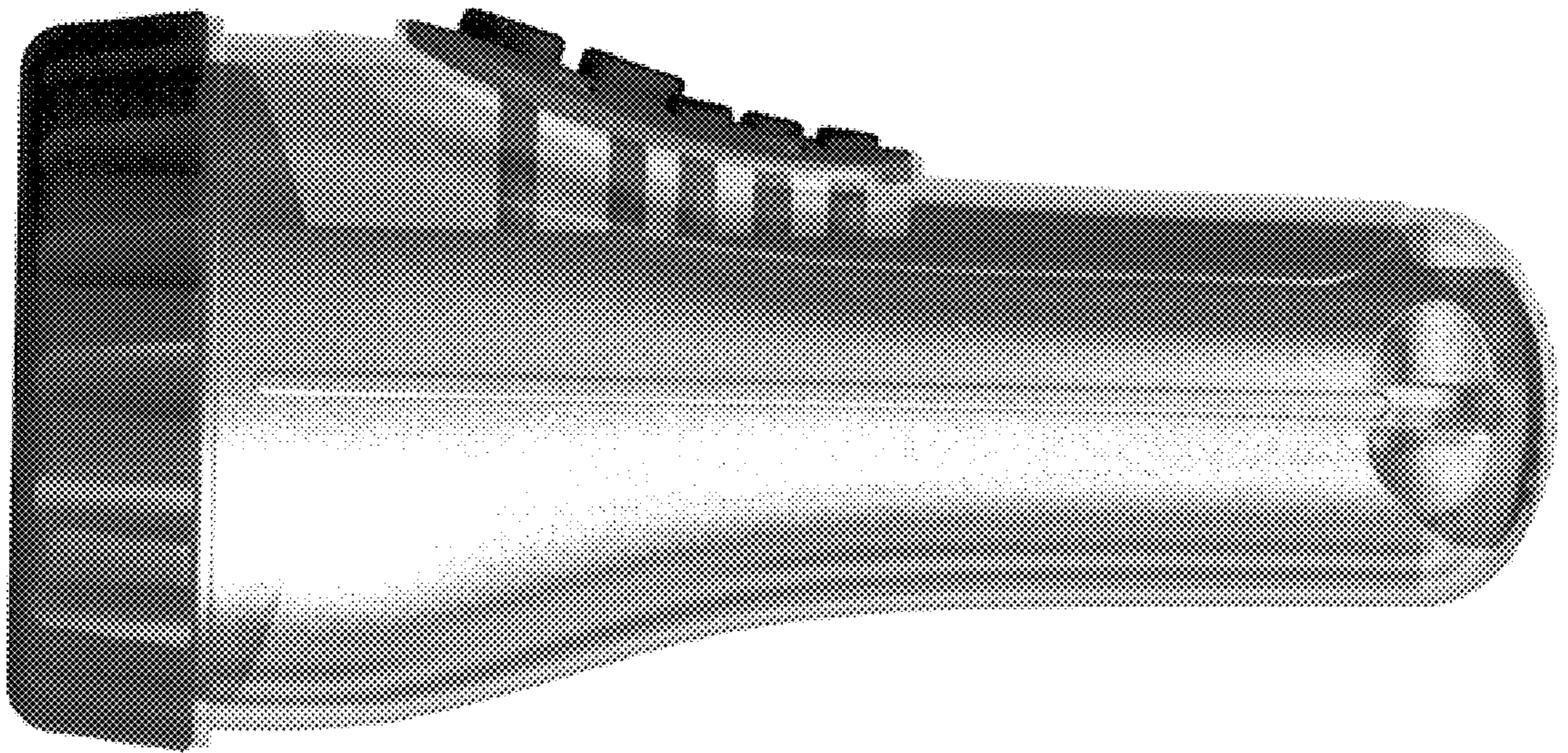


FIG. 1

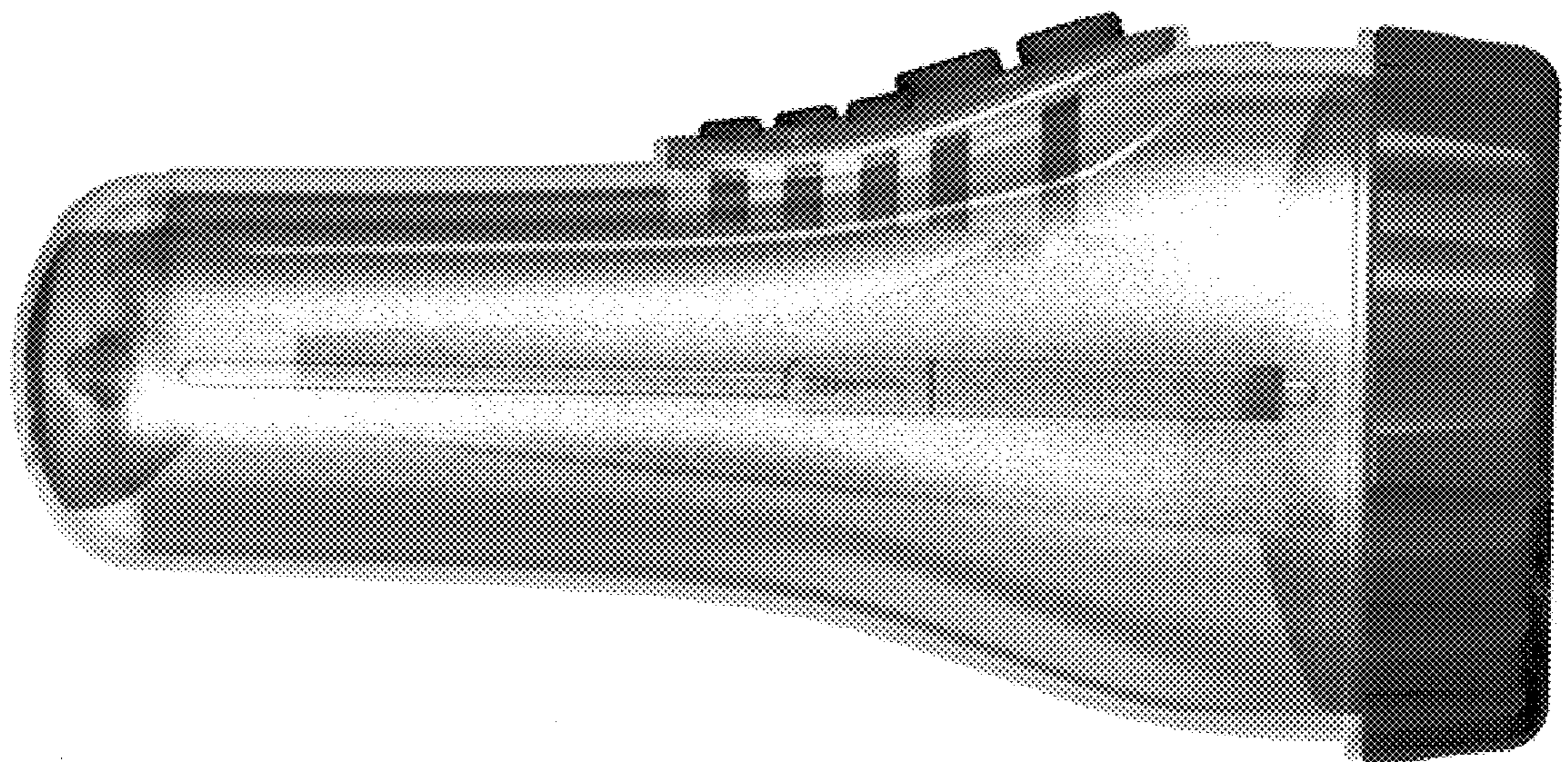


FIG. 2

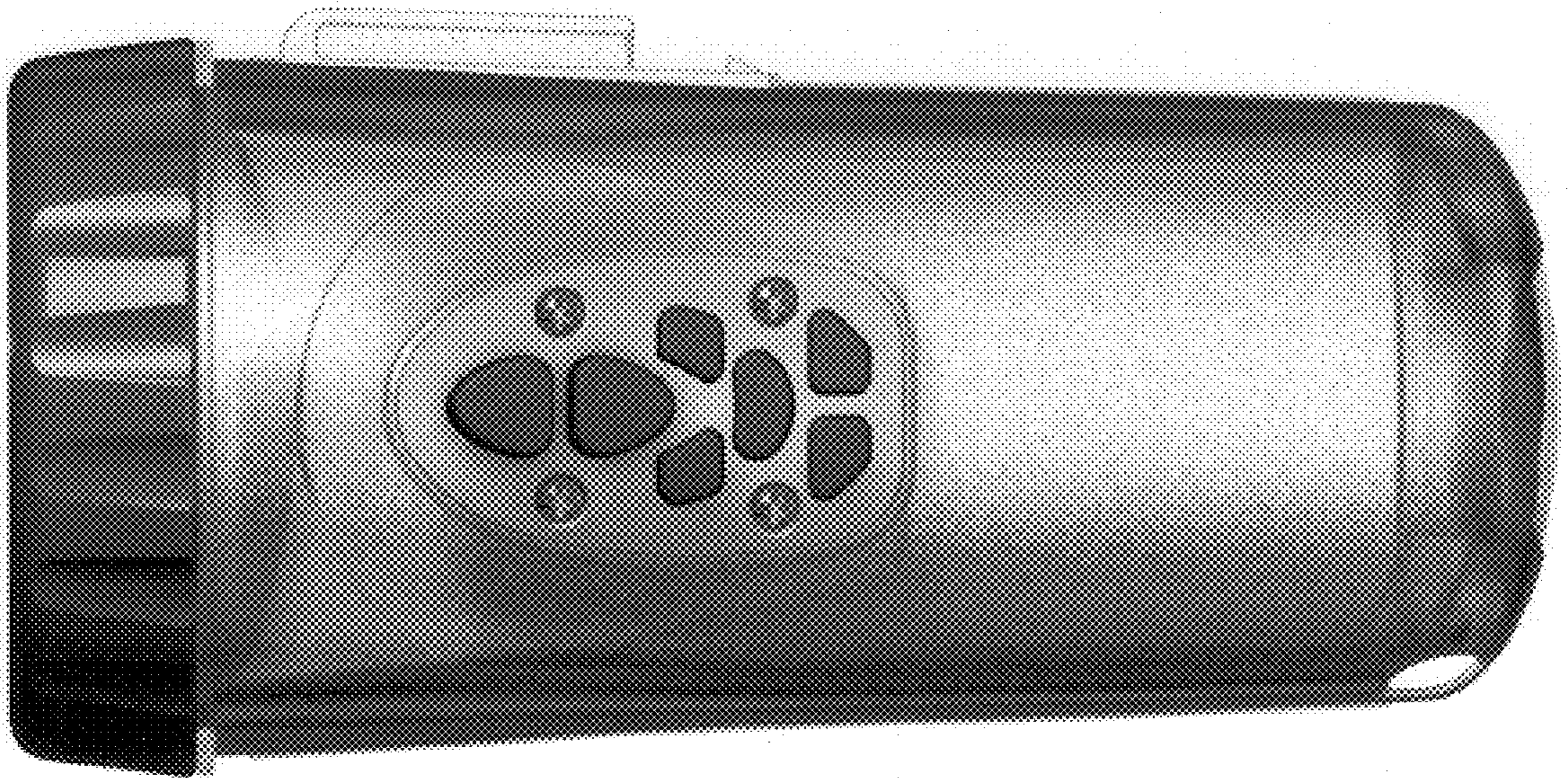


FIG. 3

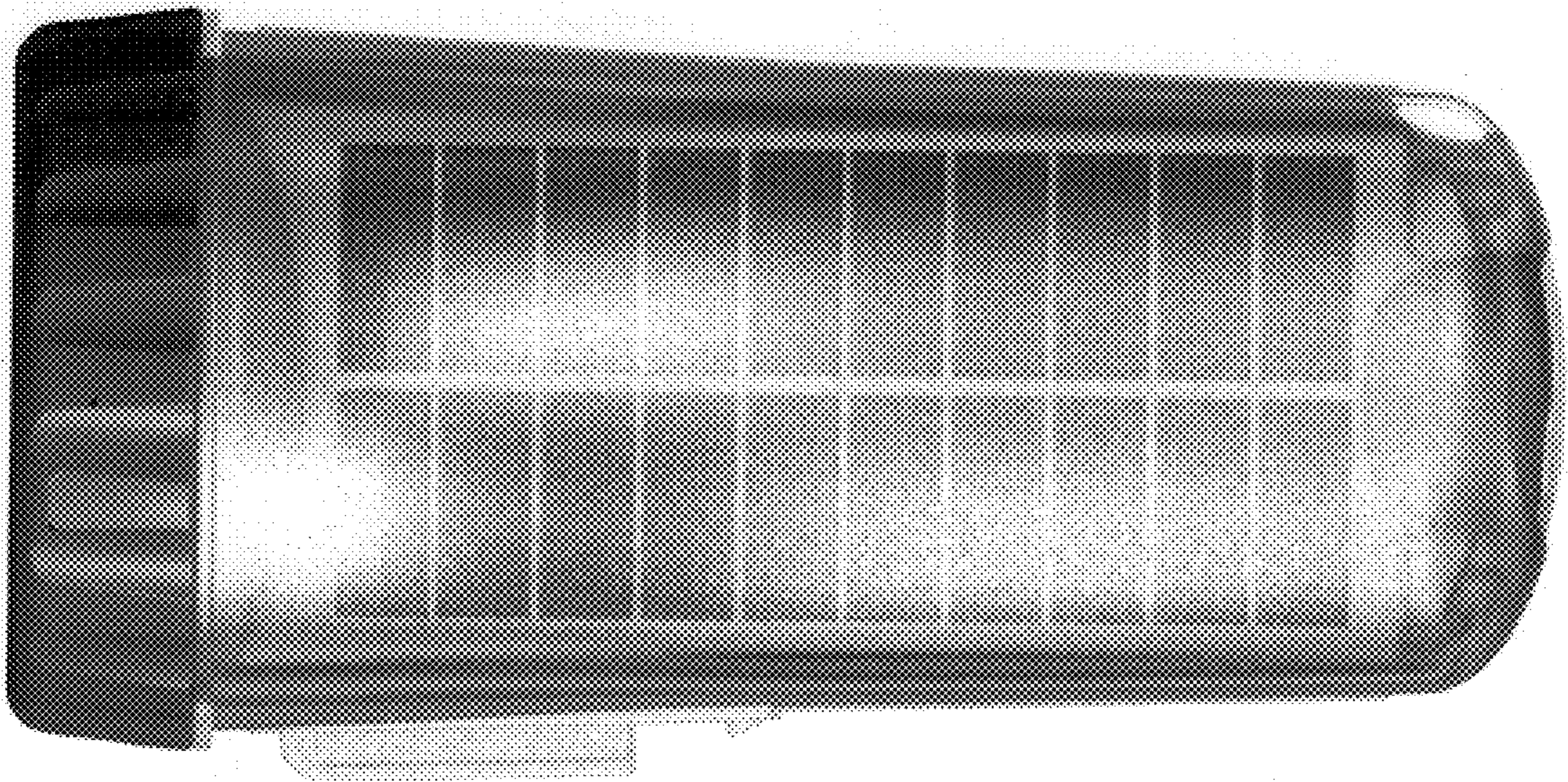


FIG. 4

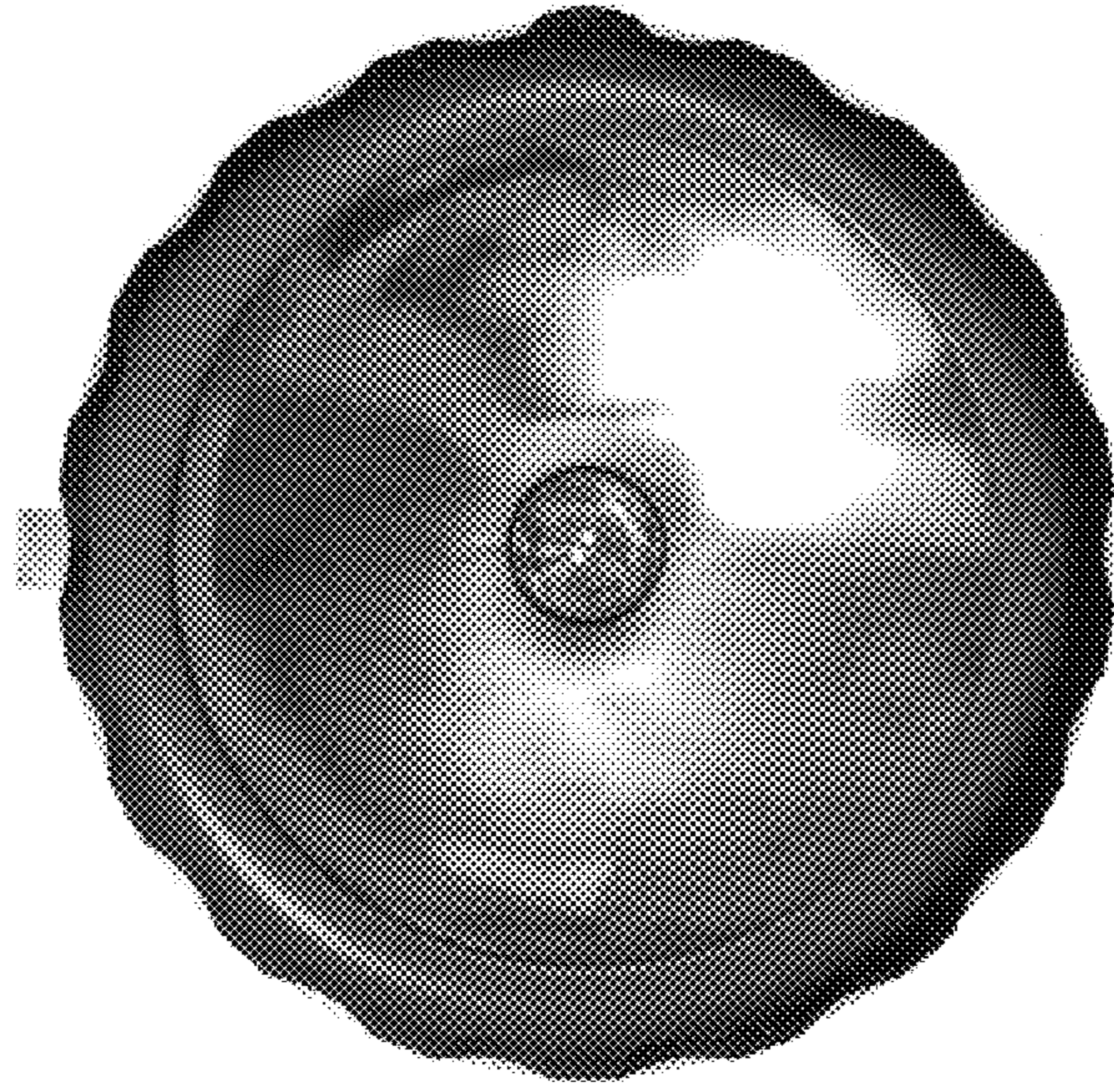


FIG. 5

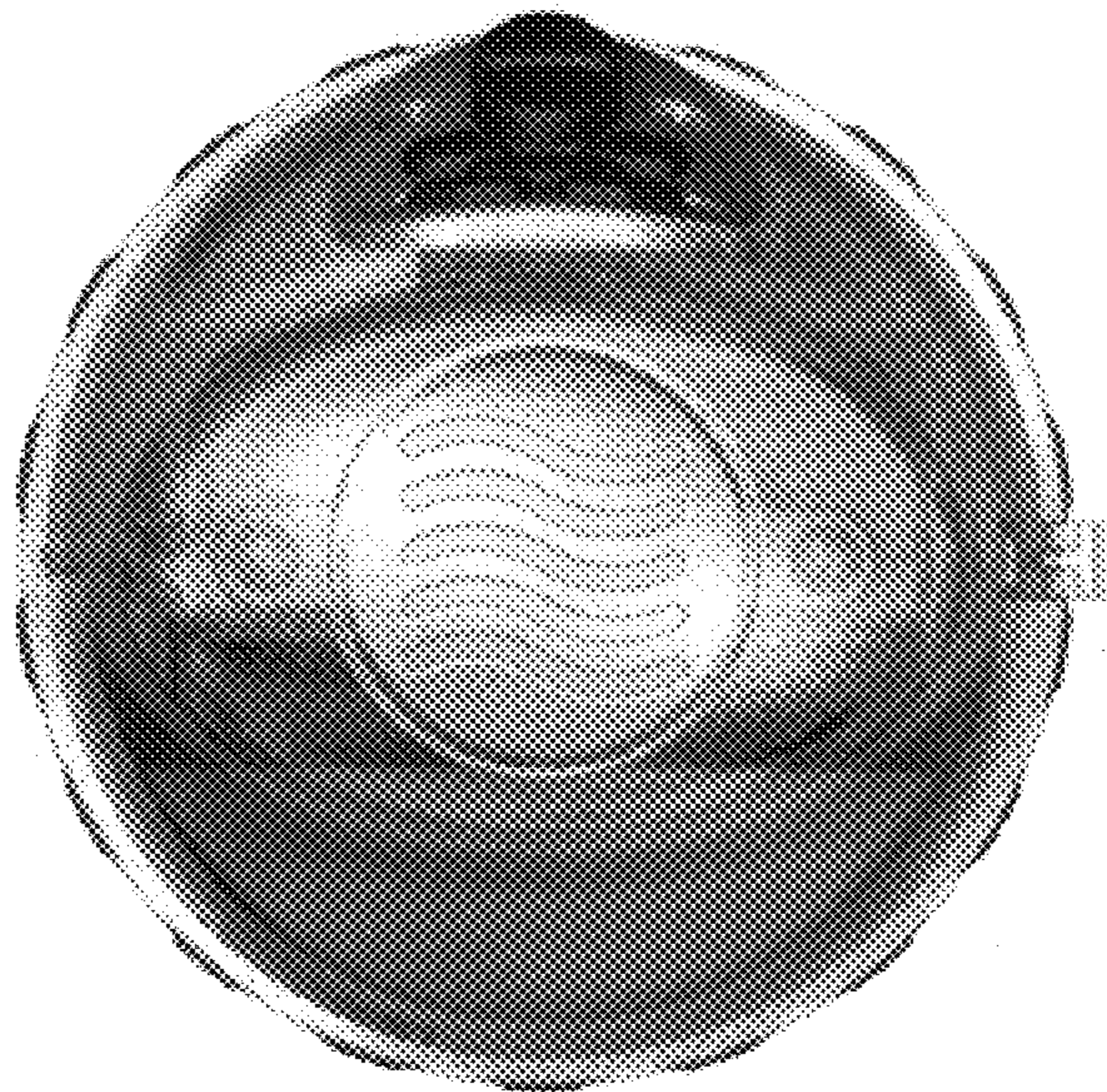


FIG. 6