



US00D430320S

United States Patent [19] Ham

[11] Patent Number: **Des. 430,320**

[45] Date of Patent: **** Aug. 29, 2000**

[54] **NIGHT LIGHT**

[76] Inventor: **Byung I. Ham**, 16550 E. Blackburn Dr., La Mirada, Calif. 90638

[**] Term: **14 Years**

[21] Appl. No.: **29/115,258**

[22] Filed: **Dec. 9, 1999**

[51] **LOC (7) Cl.** **26-05**

[52] **U.S. Cl.** **D26/26**

[58] **Field of Search** D26/25, 24, 26, D26/85, 72; 362/147, 404, 367, 226

[56] **References Cited**

U.S. PATENT DOCUMENTS

D. 331,292	11/1992	Ham	D26/26
D. 332,836	1/1993	Ham	D26/26
D. 342,799	12/1993	Ham	D26/26
D. 347,703	6/1994	Ham	D26/26
D. 374,294	10/1996	Yuen	D26/26
D. 380,564	7/1997	Yuen	D26/26

D. 389,591	1/1998	Blackman et al.	D26/26
D. 393,911	4/1998	Steckelenburg	D26/26

Primary Examiner—Cynthia E Ramirez
Attorney, Agent, or Firm—Blakely Sokoloff Taylor & Zafman

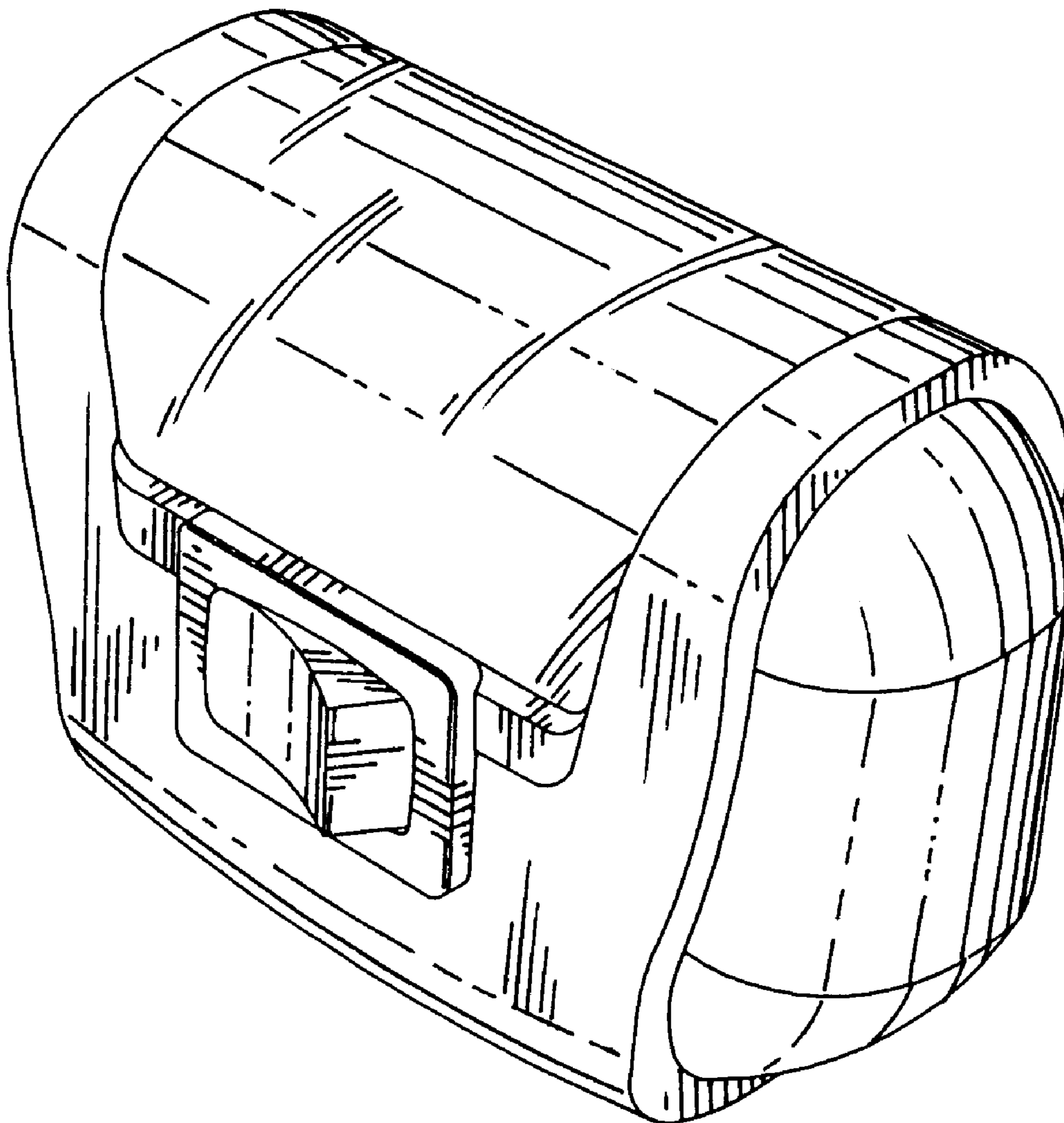
[57] **CLAIM**

The ornamental design for a night light, as shown and described.

DESCRIPTION

FIG. 1 is a perspective view of a night light of one embodiment of the invention.
FIG. 2 is a front elevational view of the night light of FIG. 1.
FIG. 3 is a side elevational view of the night light of FIG. 1, the other side being a mirror image thereof.
FIG. 4 is a rear elevational view of the night light of FIG. 1.
FIG. 5 is a top plan view of the night light of FIG. 1; and, FIG. 6 is a bottom plan view of the night light of FIG. 1.

1 Claim, 2 Drawing Sheets



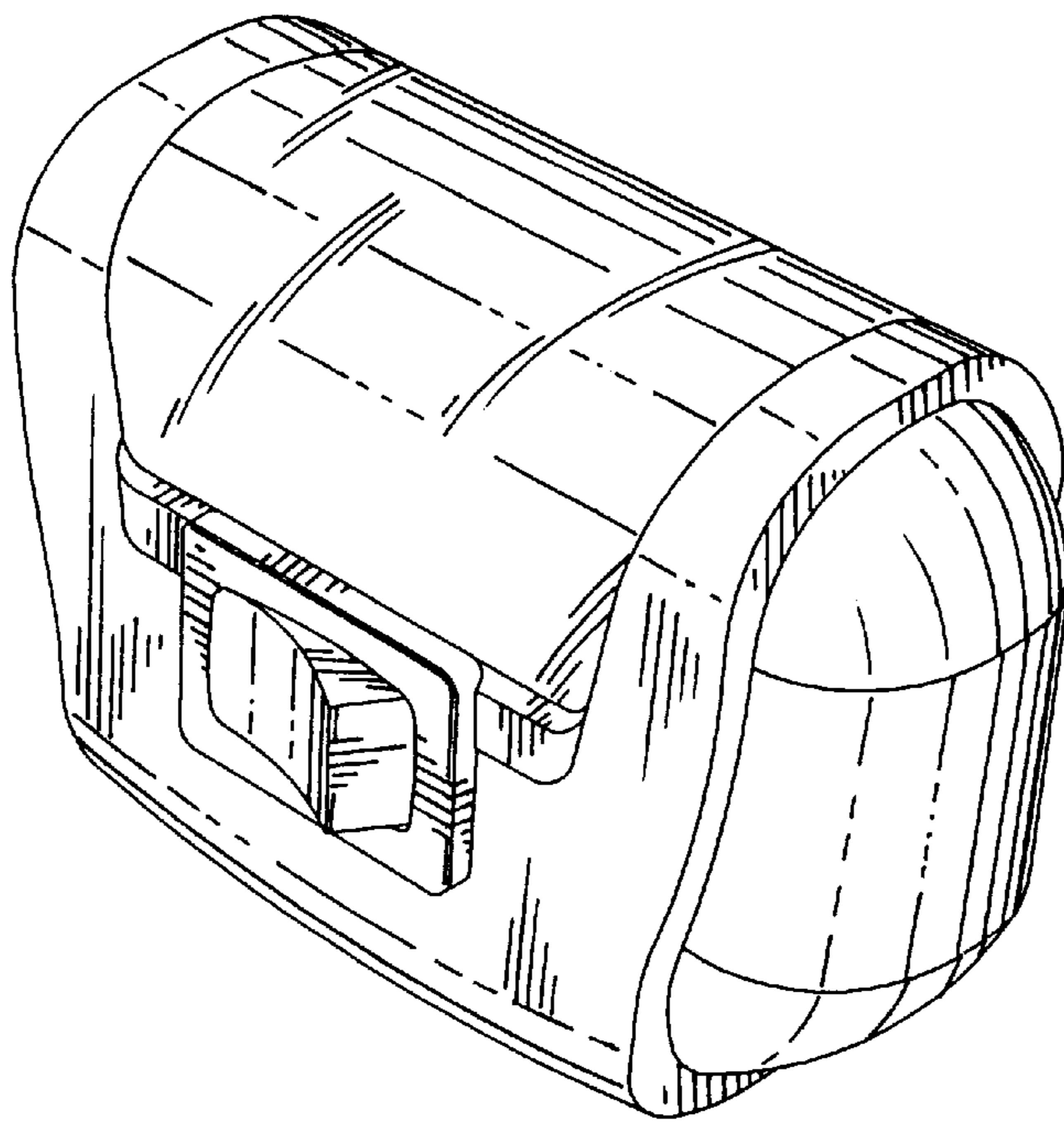


FIG. 1

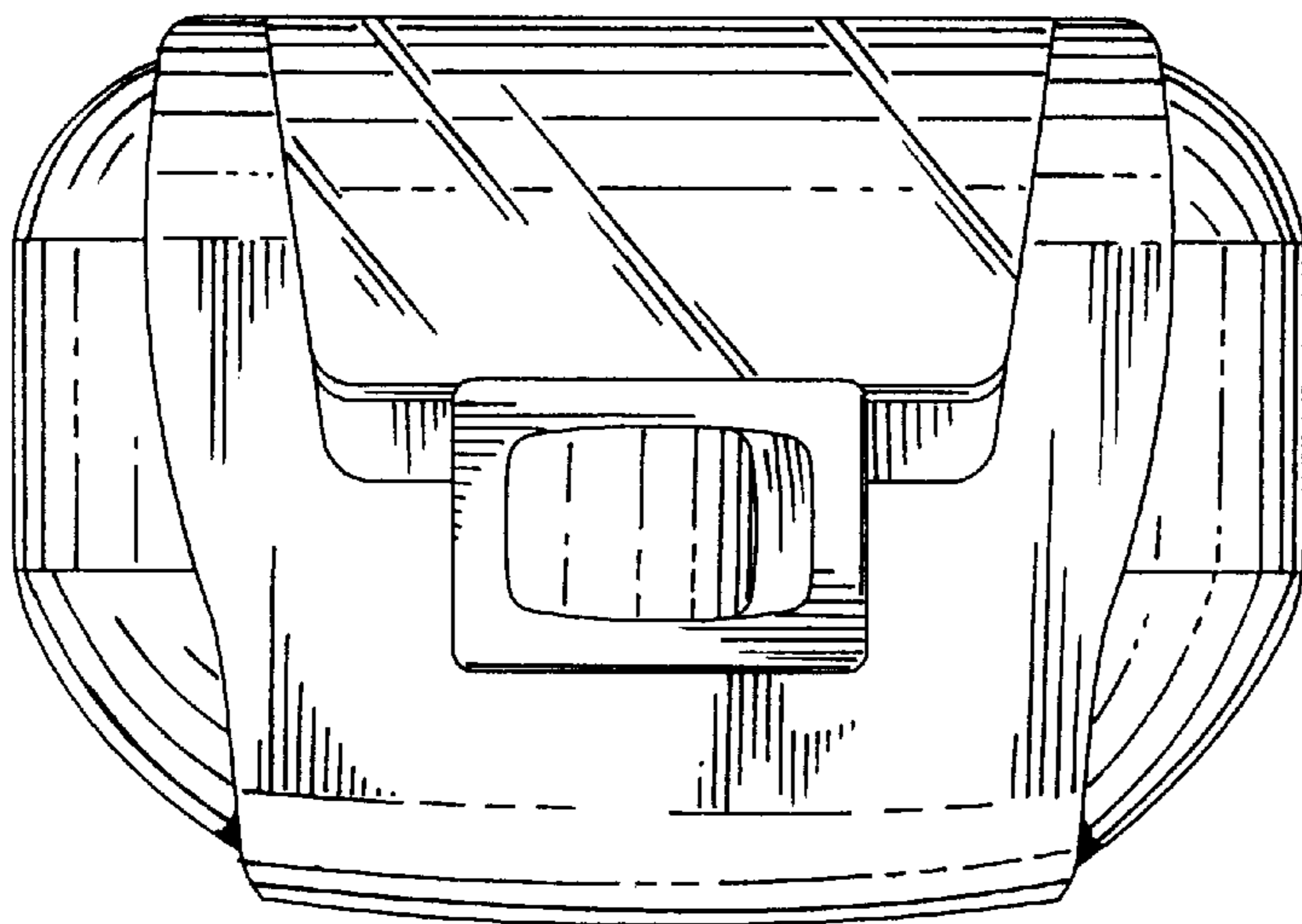


FIG. 2

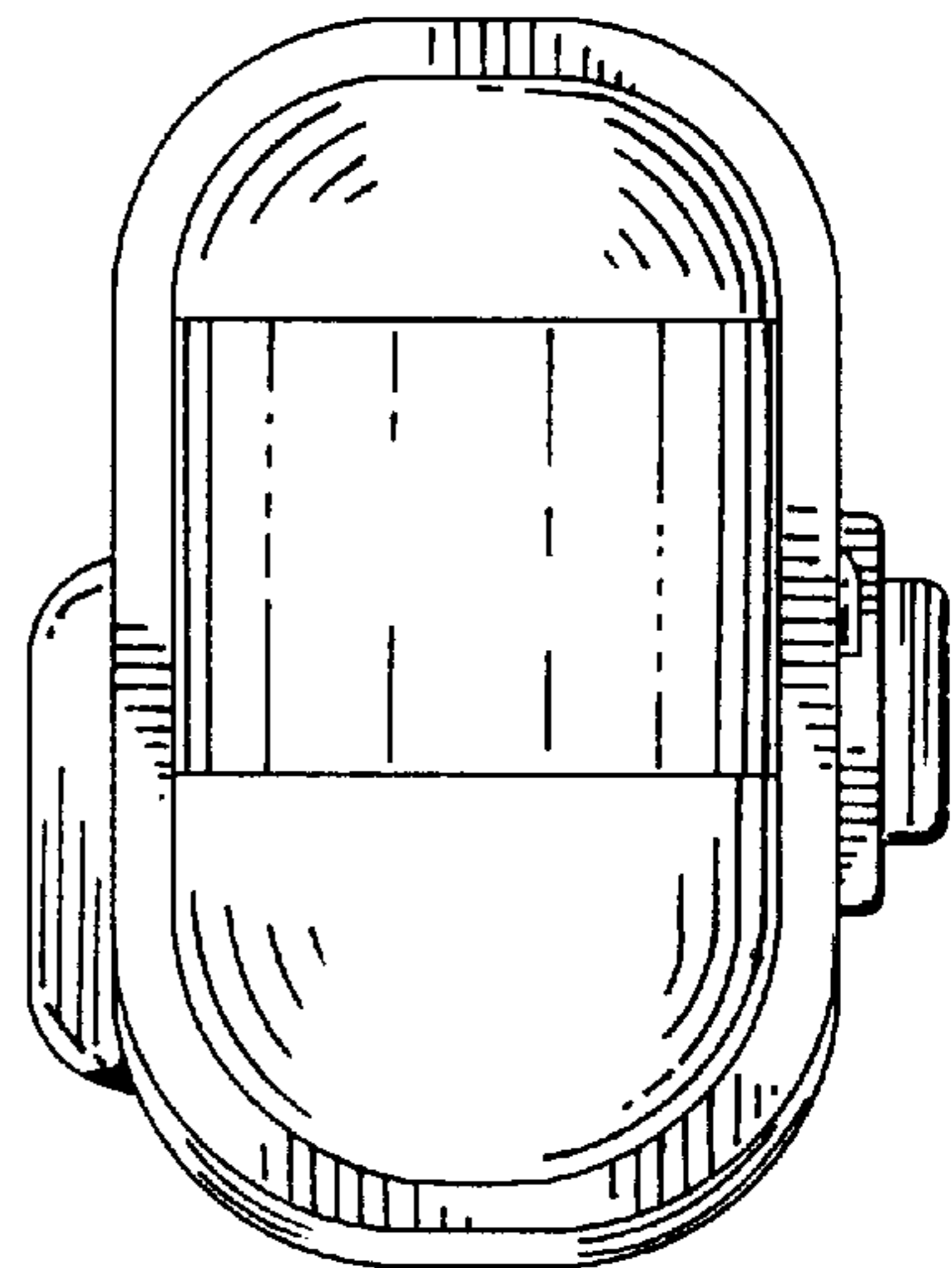


FIG. 3

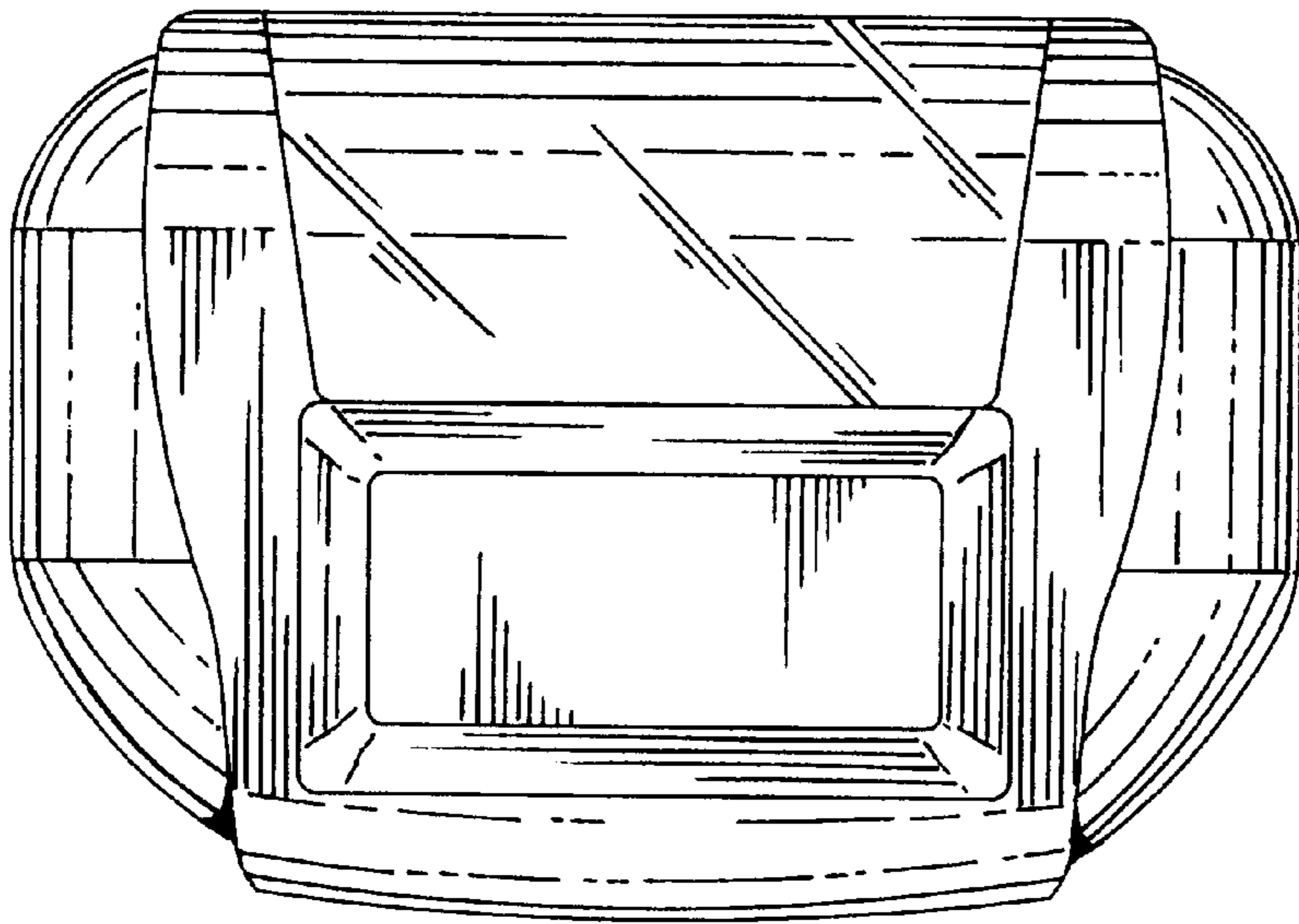


FIG. 4

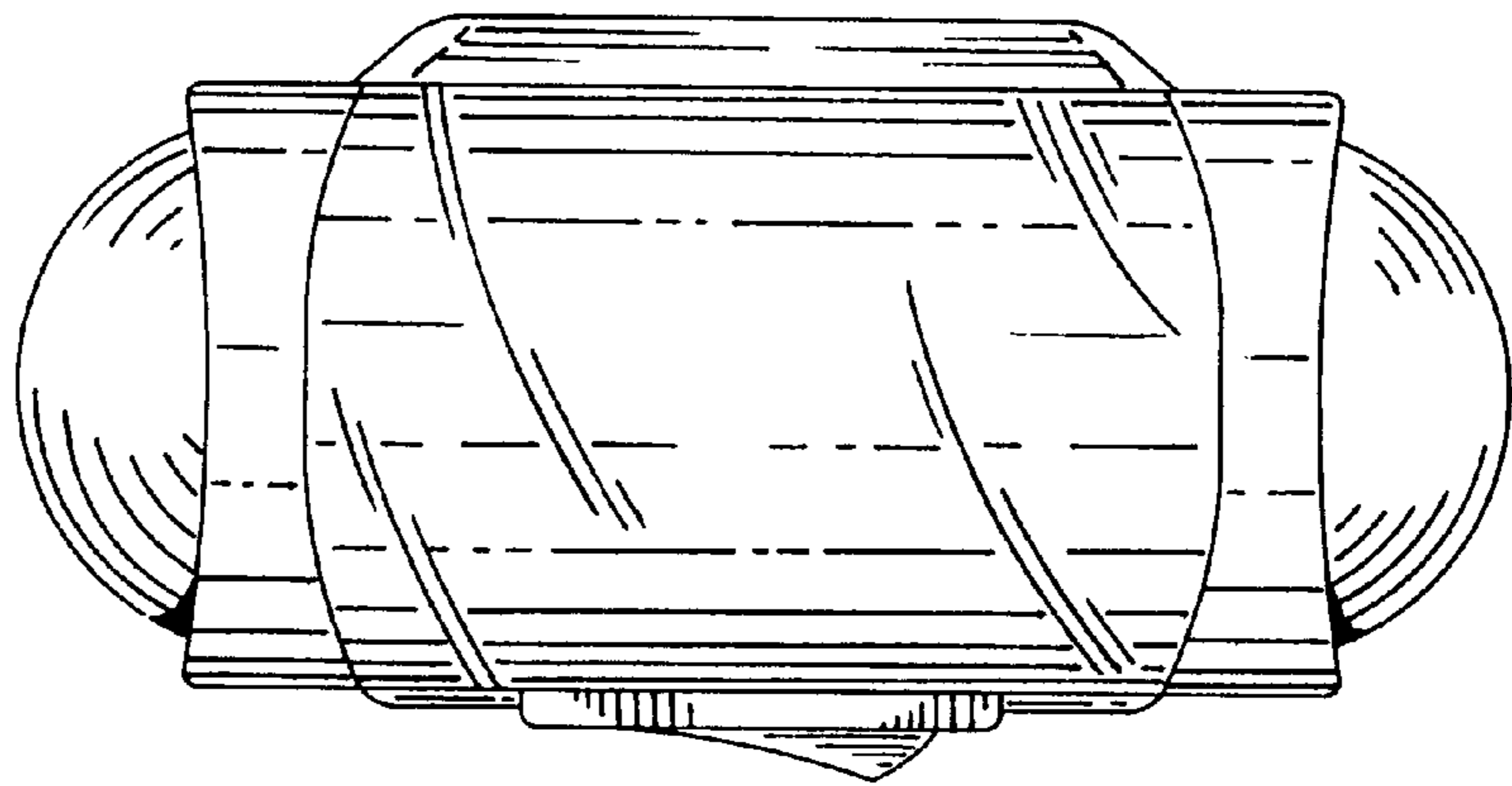


FIG. 5

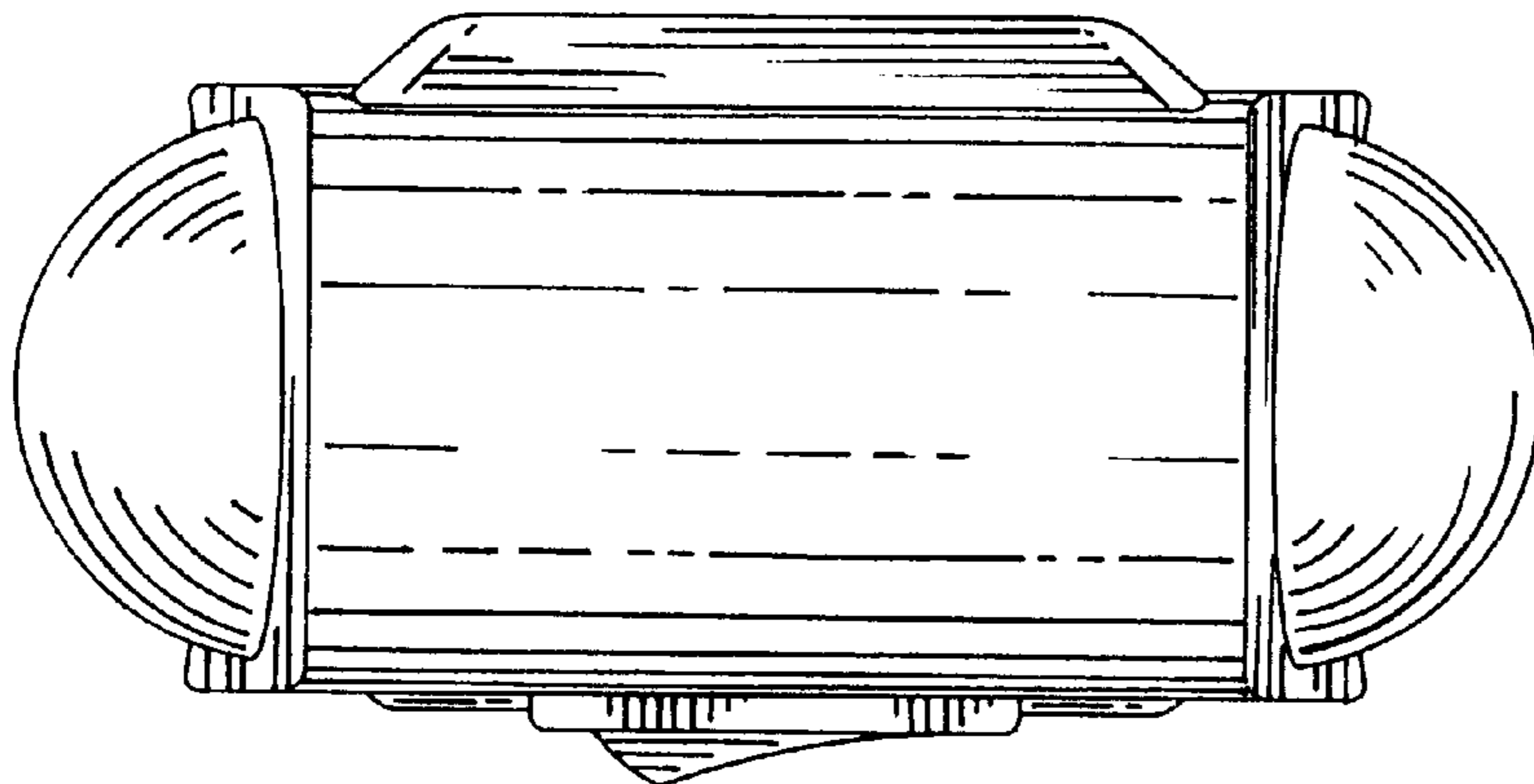


FIG. 6