



US00D430319S

United States Patent [19] Harris

[11] **Patent Number: Des. 430,319**

[45] **Date of Patent: ** Aug. 29, 2000**

[54] **NIGHT LIGHT**

2,520,691 8/1950 Otis D26/94
5,911,501 6/1999 Katz 362/806 X

[76] Inventor: **Geoffrey H. Harris**, 2954 W. Logan Blvd., Chicago, Ill. 60647

OTHER PUBLICATIONS

[**] Term: **14 Years**

Oriental Tading catalog, p. 5, item no 23/11 plastic Pumpkin Safety Lights, Aug. 1992.

[21] Appl. No.: **29/113,195**

Primary Examiner—Susan I. Lucas
Assistant Examiner—Cynthia E. Ramirez
Attorney, Agent, or Firm—Wolf, Greenfield & Sacks, P.C.

[22] Filed: **Nov. 1, 1999**

[51] **LOC (7) Cl. 26-05**

[52] **U.S. Cl. D26/26; D11/121; D26/94**

[58] **Field of Search D26/24, 72, 73, D26/26, 4, 94, 101, 125, 127; D11/134, 139, 133, 121; 362/226, 806, 95, 276, 432, 810**

[57] CLAIM

The ornamental design for a night light, as shown and described.

DESCRIPTION

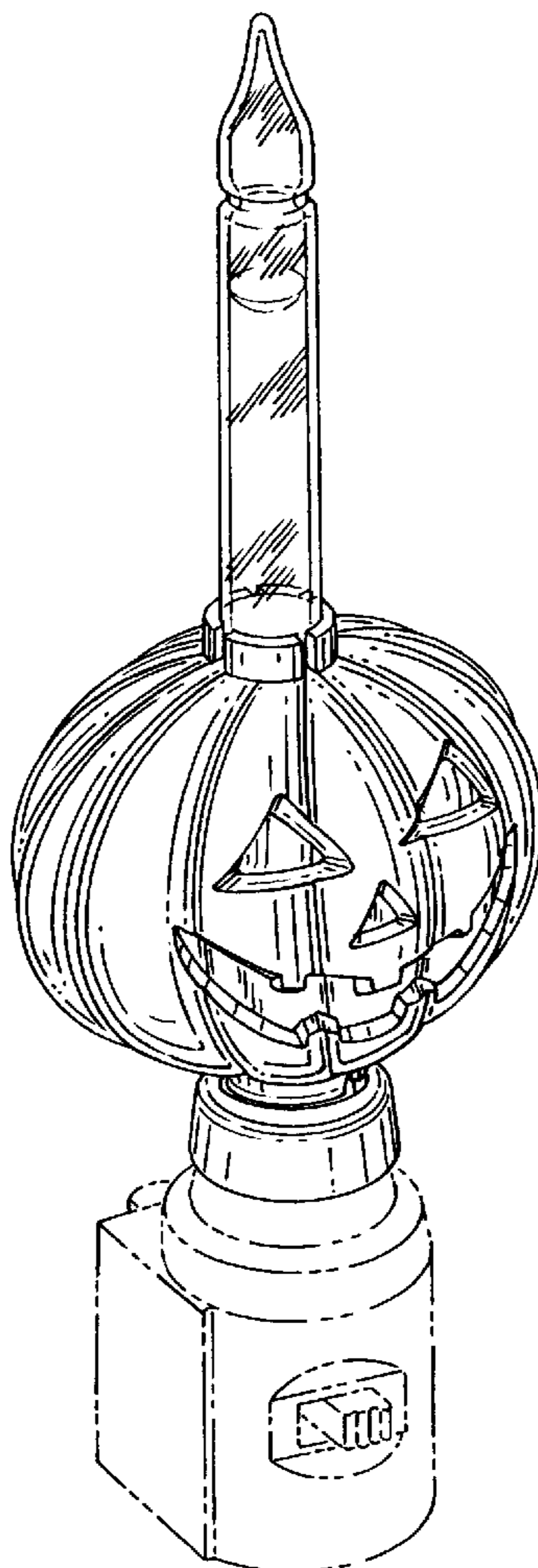
FIG. 1 is a perspective view of a night light showing my new design;
FIG. 2 is a front elevational view thereof;
FIG. 3 is a rear elevational view thereof;
FIG. 4 is a side elevation view thereof;
FIG. 5 is a top elevational view thereof; and,
FIG. 6 is a bottom elevational view thereof.
The broken line shown in each of FIGS. 1–6 is for illustrative purposes only and forms no part of the claimed design.

[56] References Cited

U.S. PATENT DOCUMENTS

D. 158,909	6/1950	Suring	D11/121
D. 298,060	10/1988	Johannsen	D26/94
D. 345,621	3/1994	McLaughlin, II	D26/127
D. 356,167	3/1995	Bohannon	D26/4
D. 373,001	8/1996	O'Donnell	D26/94 X
D. 413,833	9/1999	Hollinger	D11/121
D. 418,935	1/2000	Gilbert et al.	D11/121 X
732,806	7/1903	Wolfert	D26/26

1 Claim, 2 Drawing Sheets



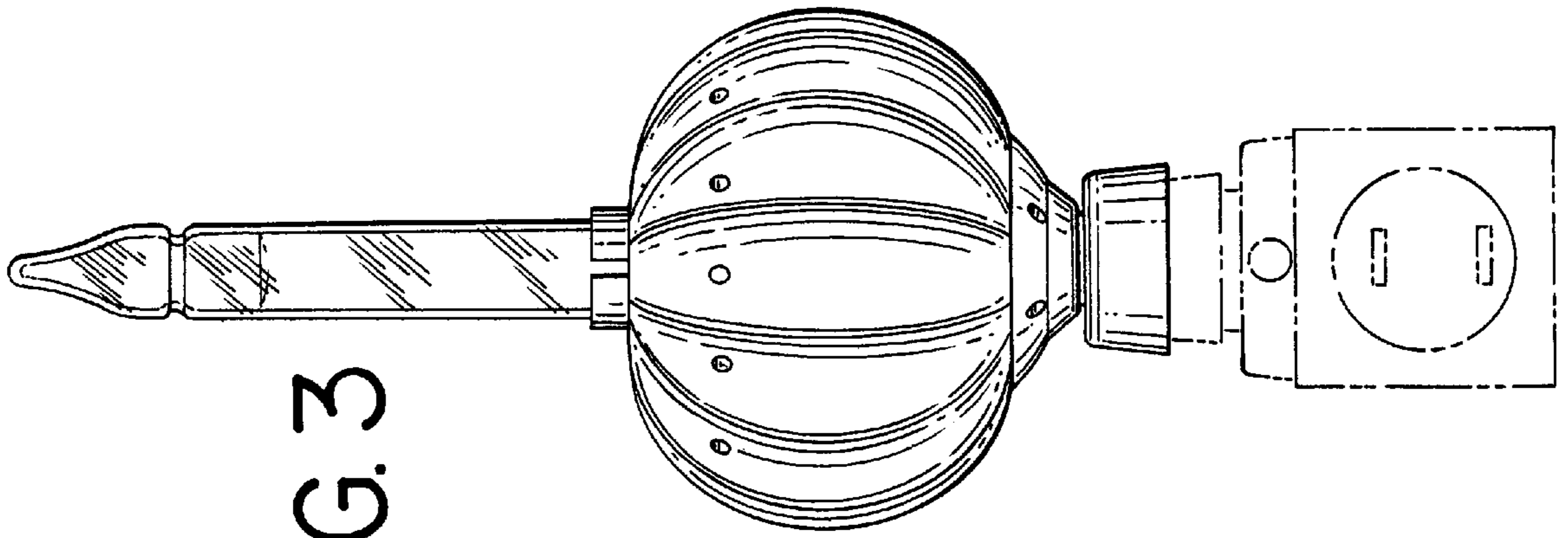


FIG. 3

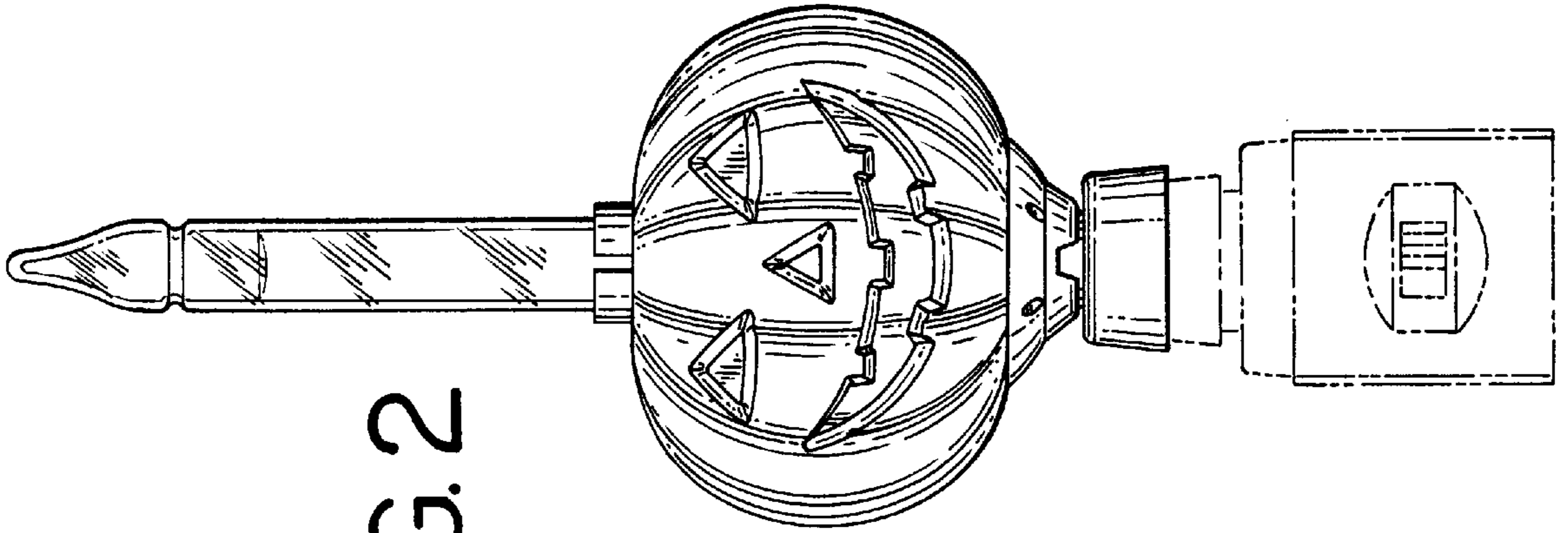


FIG. 2

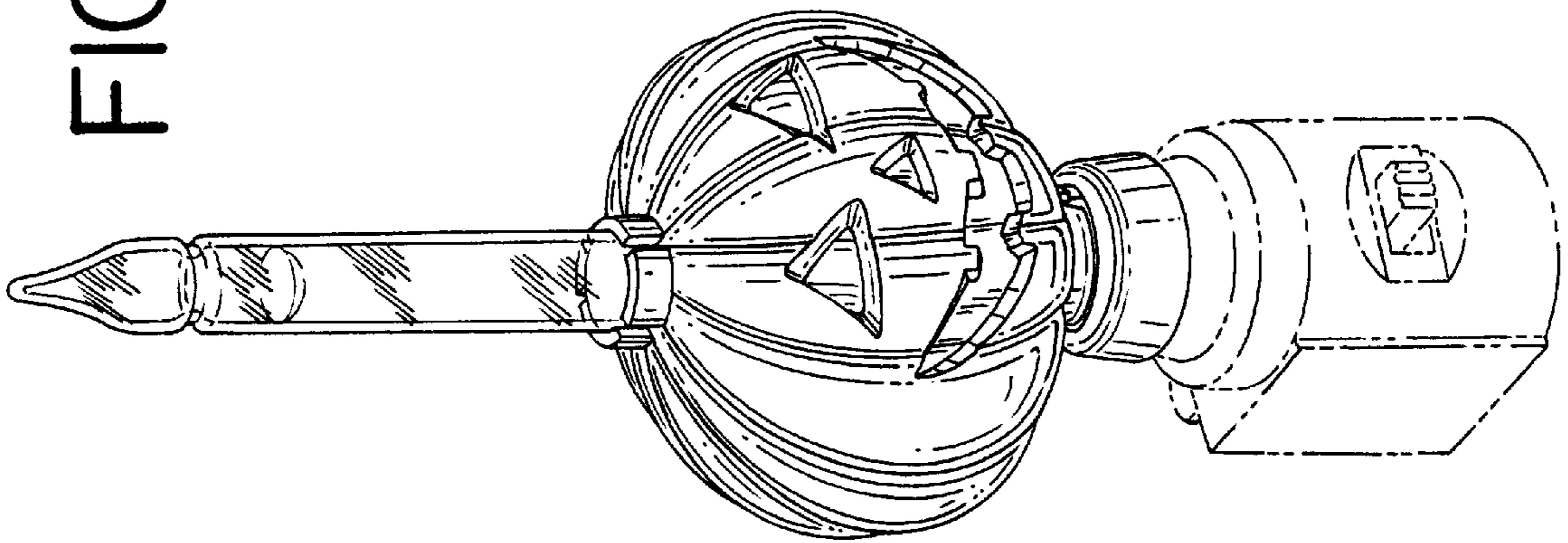


FIG. 1

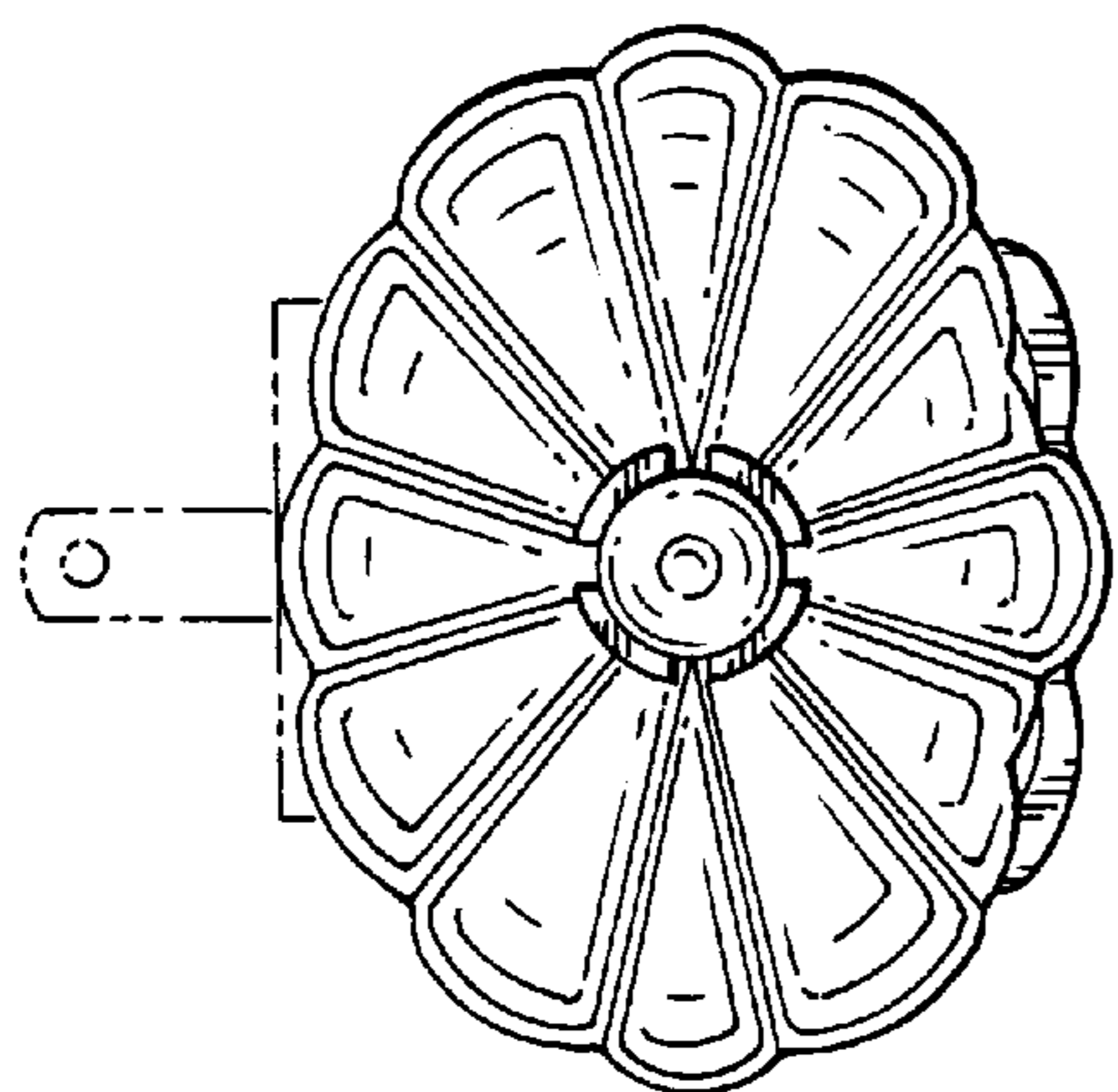


FIG. 5

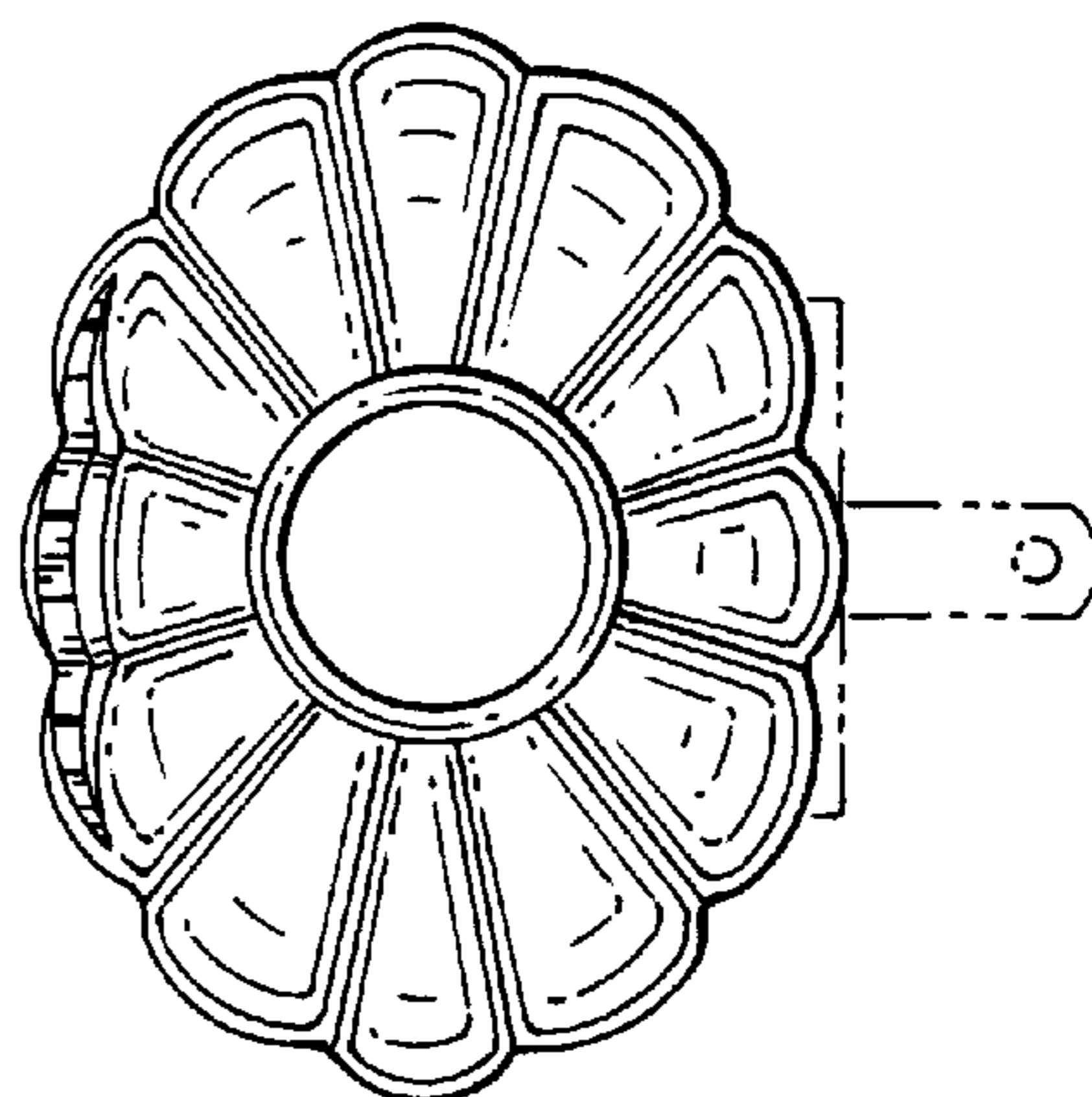


FIG. 6

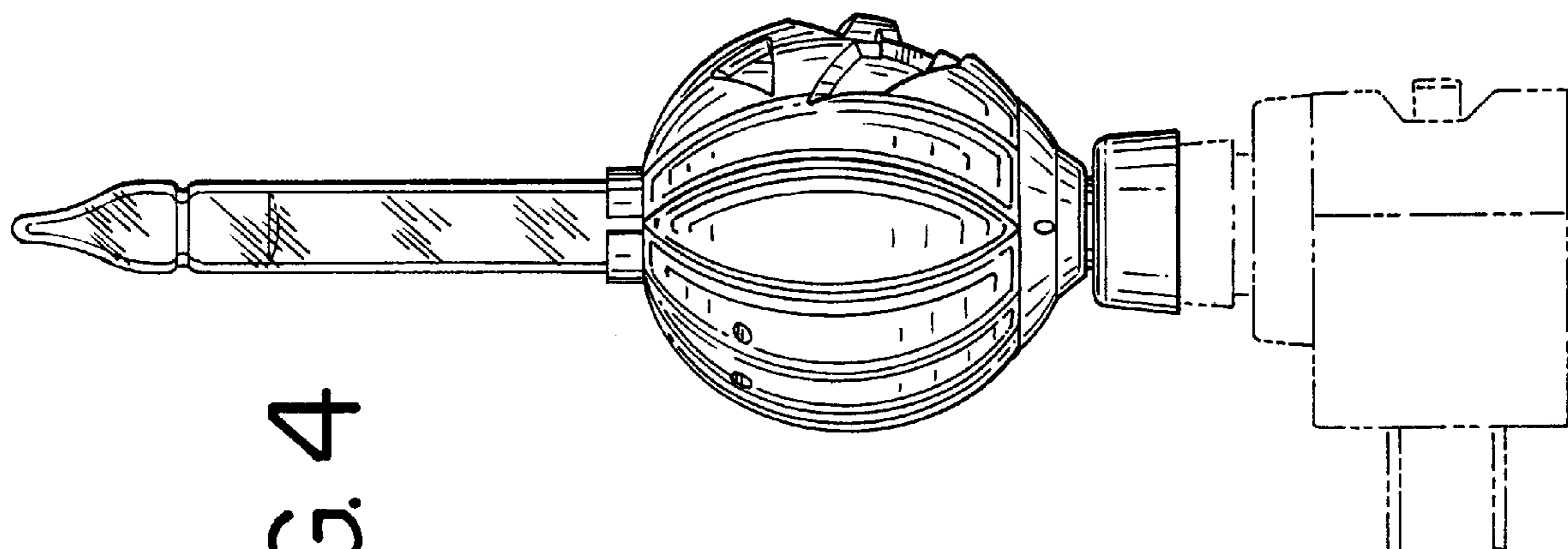


FIG. 4