



US00D430315S

United States Patent [19]

Neuhofer, Jr.

[11] **Patent Number: Des. 430,315**

[45] **Date of Patent: ** Aug. 29, 2000**

[54] **PROFILE TRACK FOR FASTENING MOLDINGS TO WALLS AND FLOORS**

3,098,274 7/1963 Trafton D25/199
5,433,048 7/1995 Strasser 52/288.1

[76] Inventor: **Franz Neuhofer, Jr.**, Haslau 56
A-4893, Zell Am Moos, Austria

Primary Examiner—Doris Clark
Attorney, Agent, or Firm—Collard & Roe, PC

[**] Term: **14 Years**

[57] **CLAIM**

[21] Appl. No.: **29/095,263**

The ornamental design for a profile track for fastening moldings to walls and floors, as shown and described.

[22] Filed: **Oct. 20, 1998**

DESCRIPTION

[30] **Foreign Application Priority Data**

Apr. 20, 1998 [AT] Austria 1862/98

FIG. 1 shows a perspective view of my design for a profile track for fastening moldings to walls and floors;
FIG. 2 shows a left side view thereof;
FIG. 3 shows a right side view thereof;
FIG. 4 shows a front view thereof;
FIG. 5 shows a rear view thereof;
FIG. 6 shows a top view thereof; and,
FIG. 7 shows a bottom view thereof.

[51] **LOC (7) Cl.** **25-99**

[52] **U.S. Cl.** **D25/199**

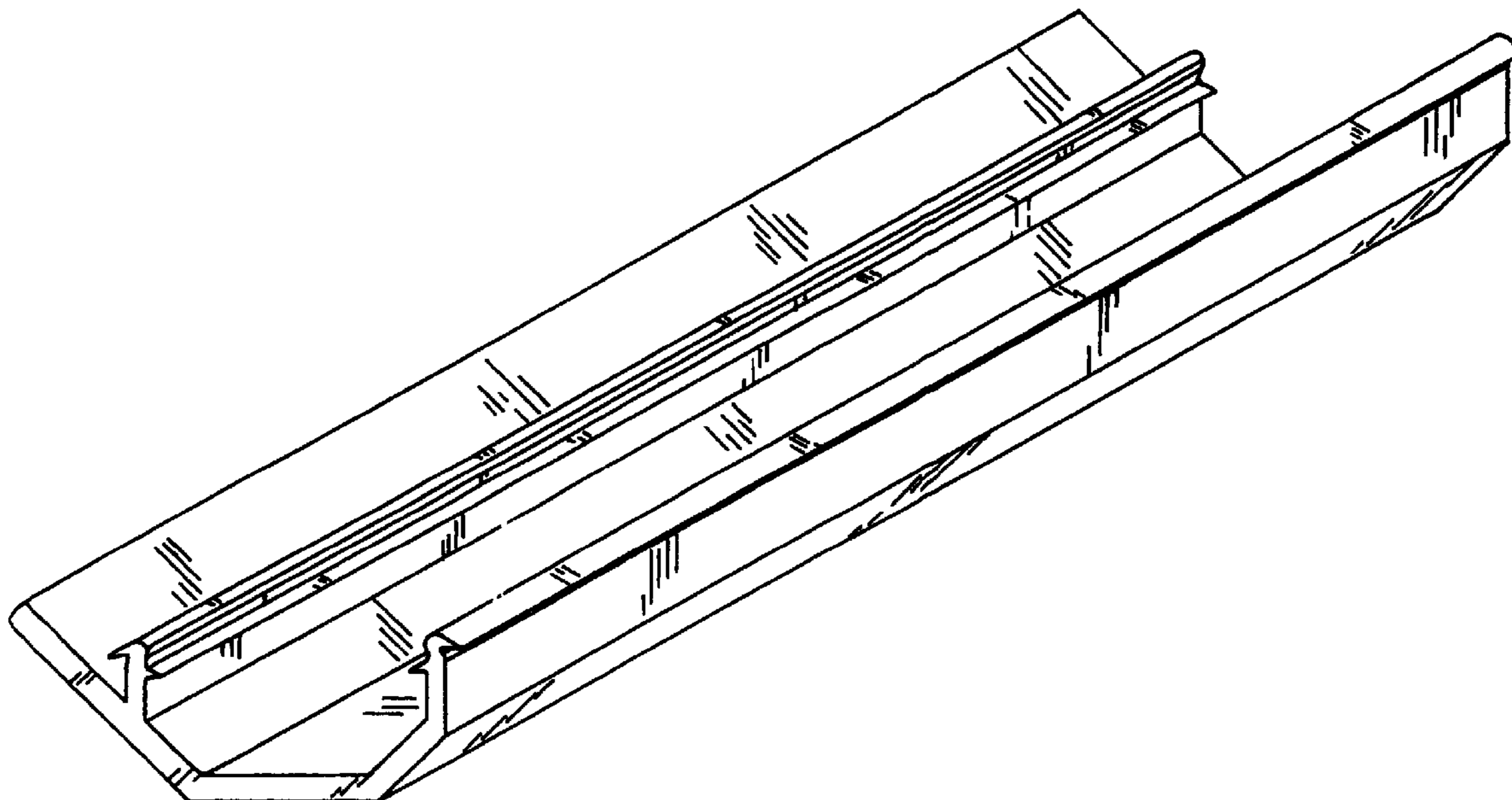
[58] **Field of Search** 52/288.1, 282.4;
D8/349, 382, 394, 384; D25/164, 199,
136

[56] **References Cited**

U.S. PATENT DOCUMENTS

D. 356,645 3/1995 Boer D25/199

1 Claim, 4 Drawing Sheets



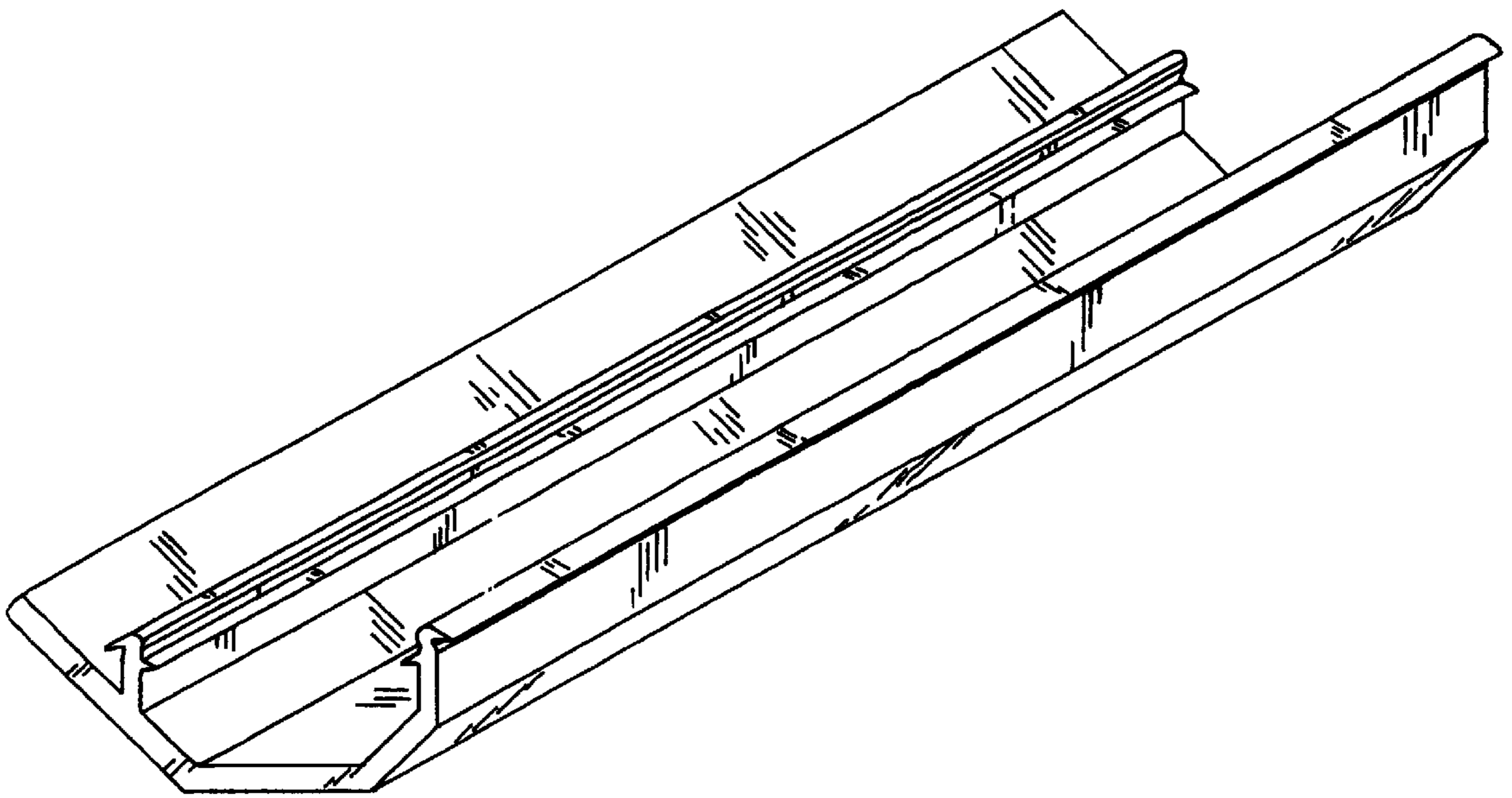


FIG. 1

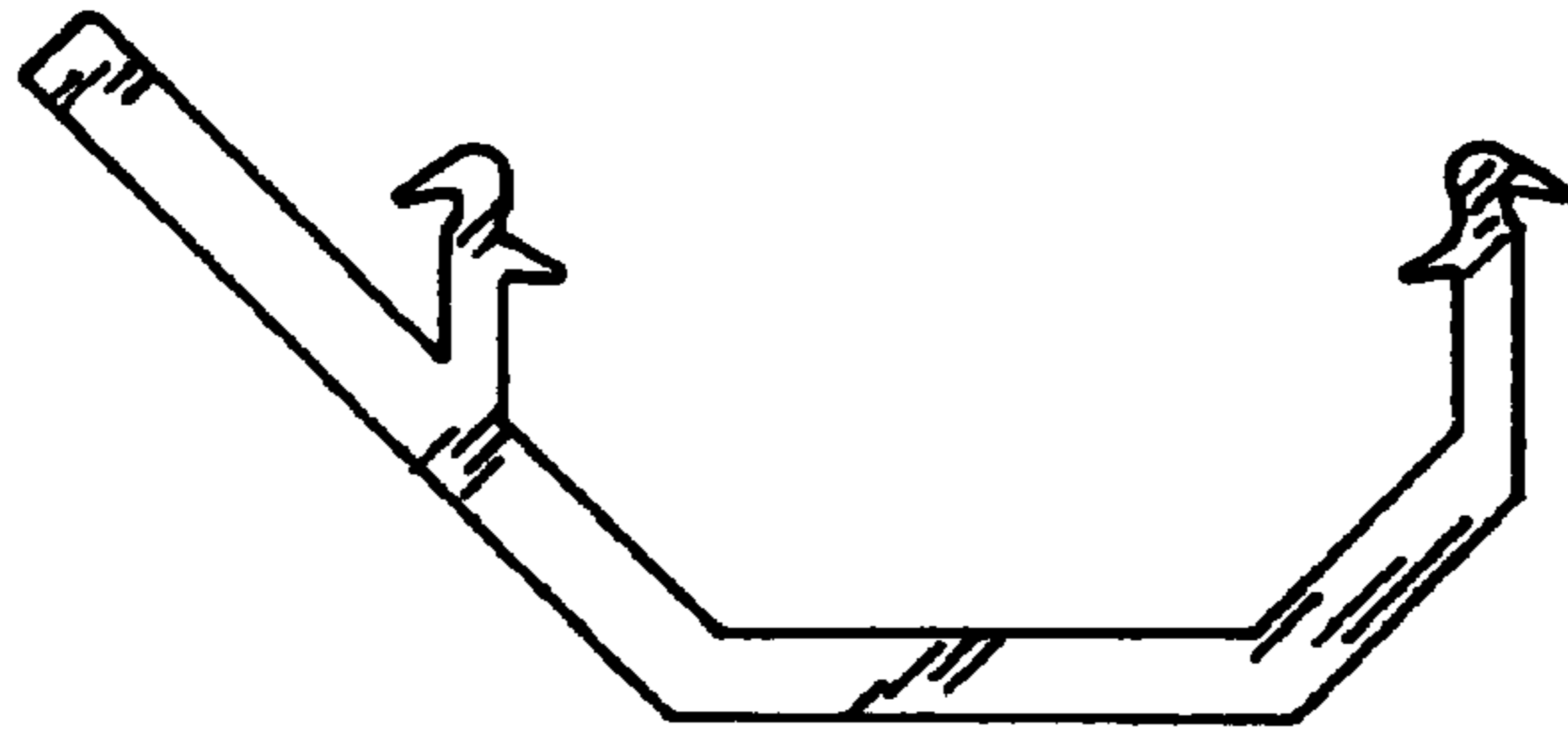


FIG. 2

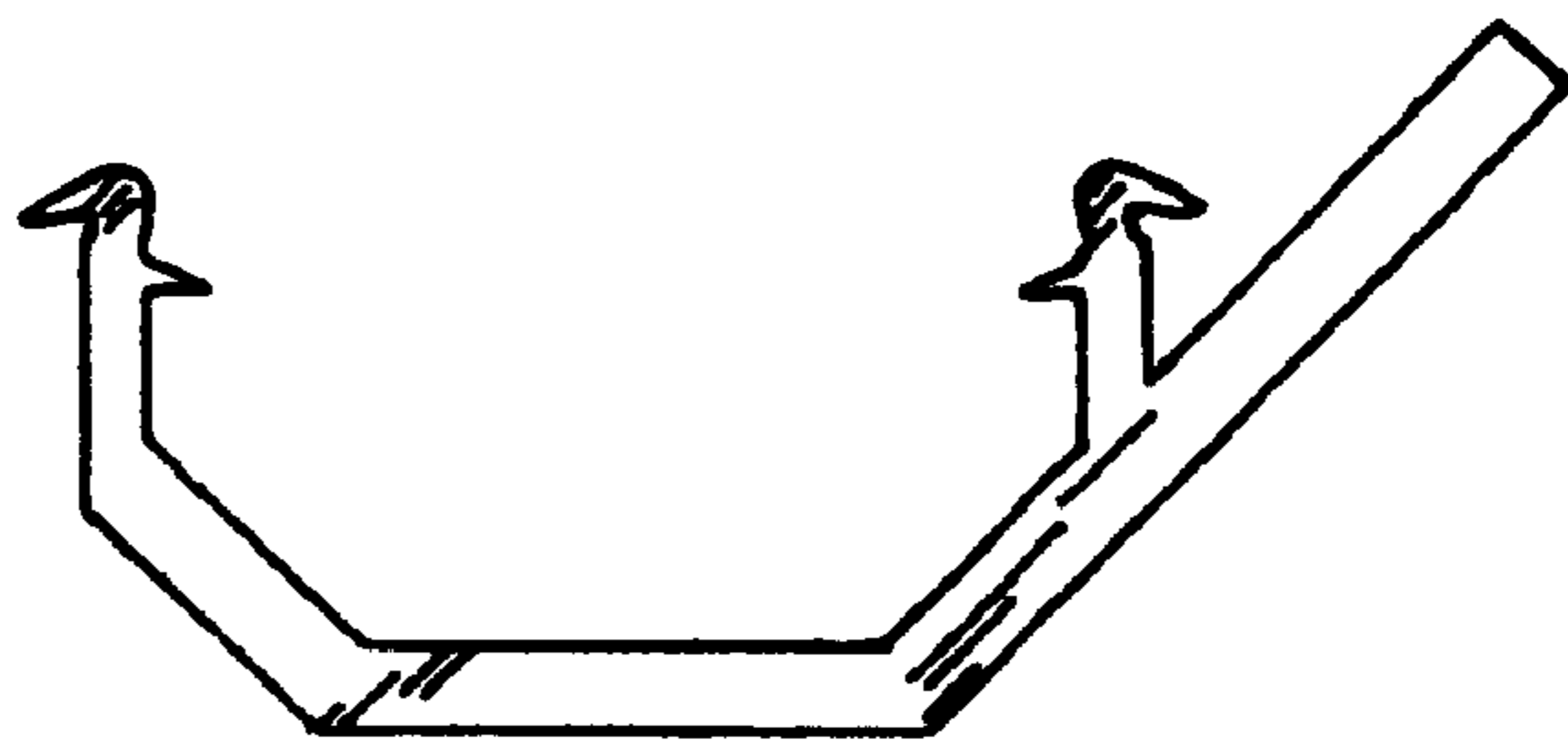


FIG. 3

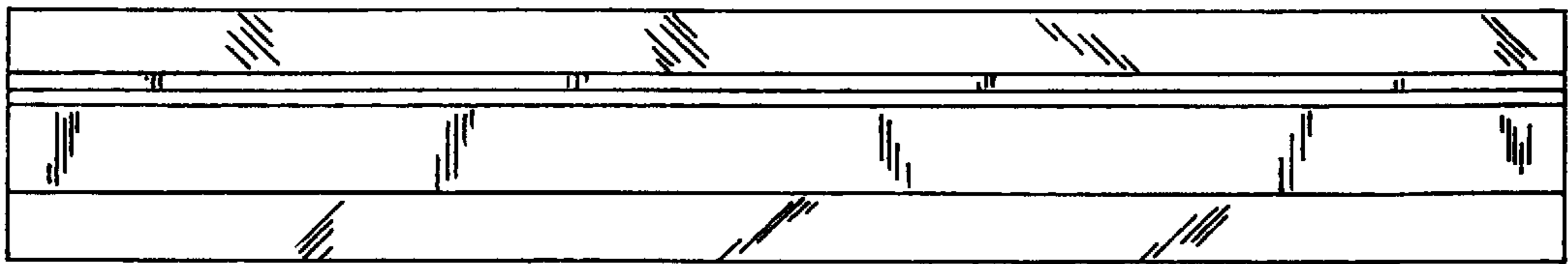


FIG. 4



FIG. 5

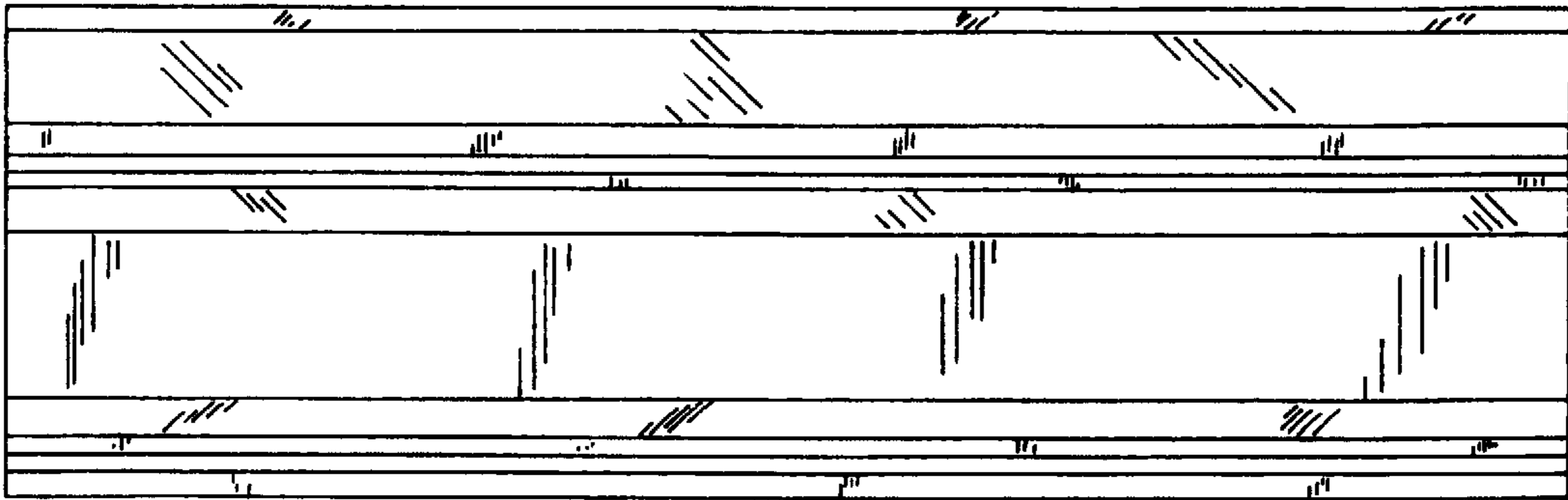


FIG. 6

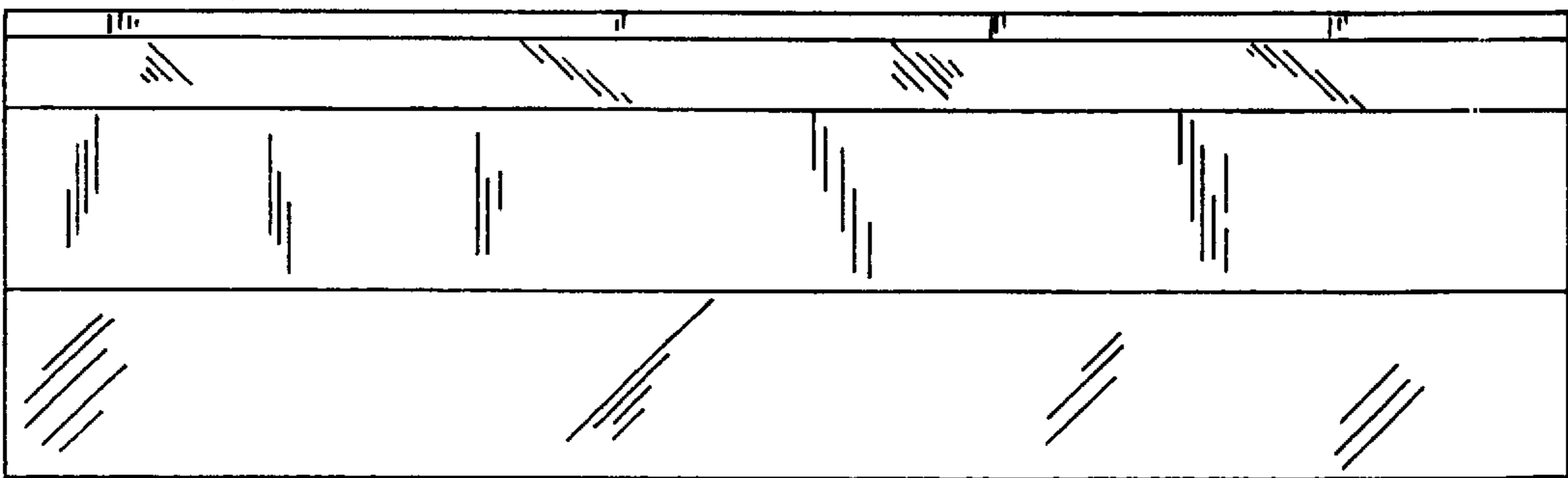


FIG. 7