



US00D430311S

United States Patent [19] Cole

[11] **Patent Number: Des. 430,311**

[45] **Date of Patent: ** Aug. 29, 2000**

[54] **WINDOW COMPONENT EXTRUSION**

D. 408,562 4/1999 Kenkel et al. D25/124

[75] Inventor: **Douglas L. Cole**, Seattle, Wash.

Primary Examiner—Doris Clark
Attorney, Agent, or Firm—Richardson & Folise

[73] Assignee: **Mikron Industries, Inc.**, Kent, Wash.

[**] Term: **14 Years**

[57] **CLAIM**

[21] Appl. No.: **29/120,827**

The ornamental design for a window component extrusion, as shown and described.

[22] Filed: **Mar. 27, 2000**

DESCRIPTION

[51] **LOC (7) Cl.** **25-01**

[52] **U.S. Cl.** **D25/124**

[58] **Field of Search** D25/124, 522,
D25/60; 52/204.1; 49/501, 504, DIG. 2

FIG. 1 is a top right isometric perspective view of the window component extrusion which is broken in the center indicating indefinite length; and,

FIG. 2 is a bottom left isometric perspective view of the window component extrusion shown in FIG. 1.

[56] **References Cited**

U.S. PATENT DOCUMENTS

D. 402,050 12/1998 Leonelli D25/124

1 Claim, 1 Drawing Sheet

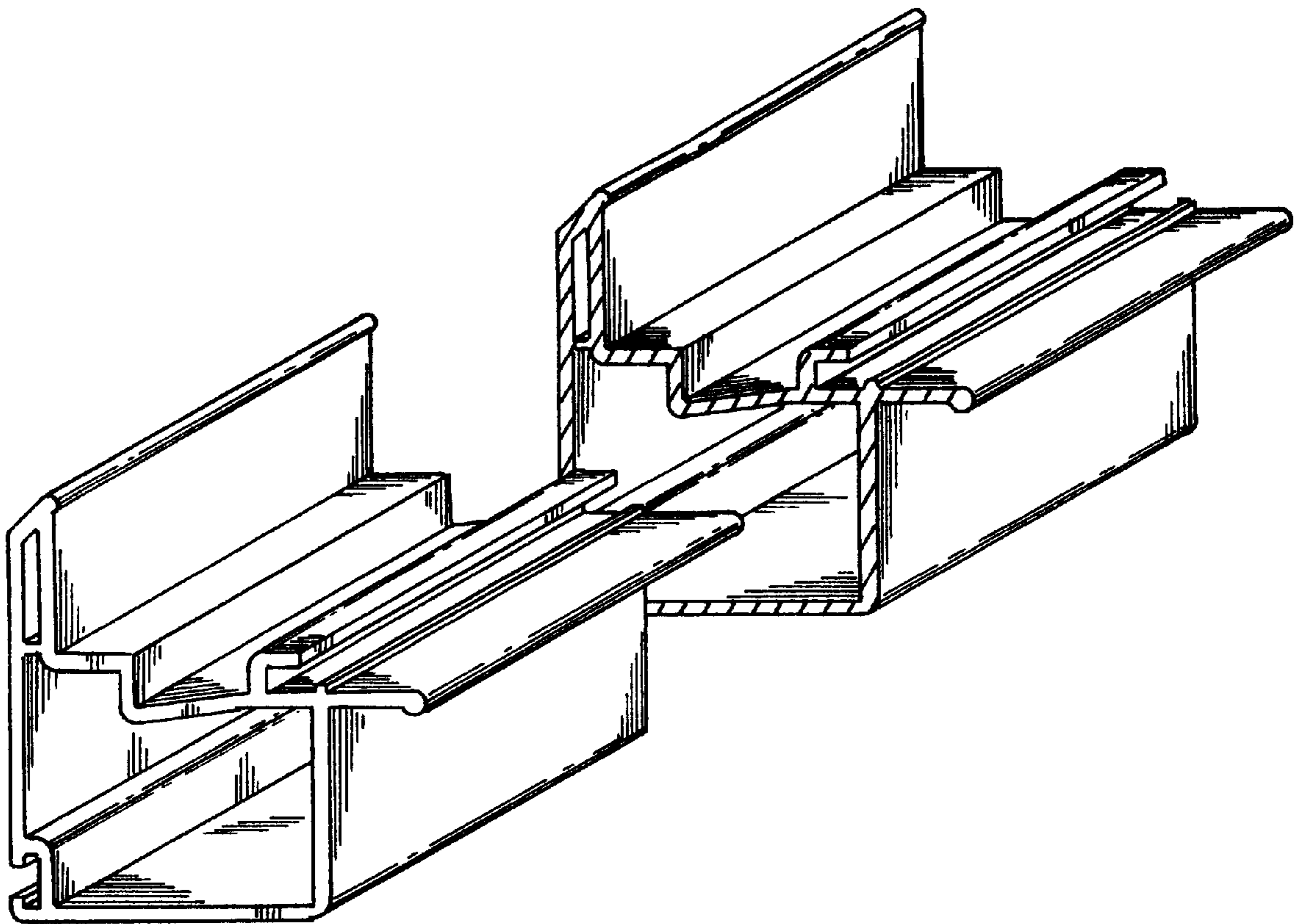


FIG. 1

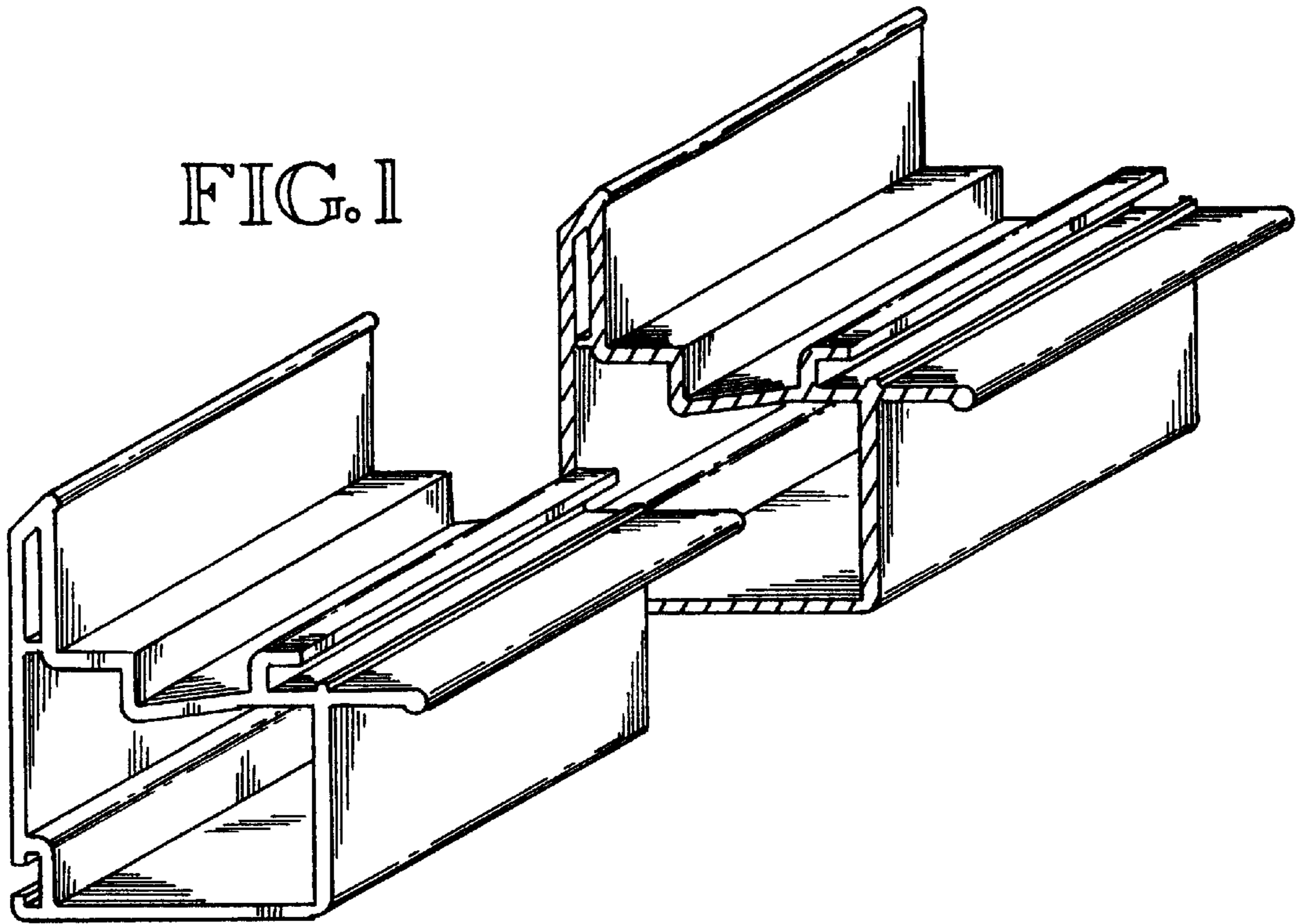


FIG. 2

