



US00D430310S

United States Patent [19]

Franson et al.

[11] Patent Number: **Des. 430,310**

[45] Date of Patent: **** Aug. 29, 2000**

[54] WINDOW COMPONENT EXTRUSION

Attorney, Agent, or Firm—Richardson & Folise

[75] Inventors: **Jeffrey R. Franson**, Maple Valley;
Douglas L. Cole, Seattle, both of Wash.

[57] **CLAIM**

[73] Assignee: **Mikron Industries, Inc.**, Kent, Wash.

The ornamental design for a window component extrusion, as shown and described.

[**] Term: **14 Years**

DESCRIPTION

[21] Appl. No.: **29/120,336**

[22] Filed: **Mar. 15, 2000**

[51] LOC (7) Cl. **25-01**

[52] U.S. Cl. **D25/124**

[58] Field of Search D25/124, 52, 60;
52/204.1; 49/501, 504, DIG. 2

FIG. 1 is a top right perspective view of the window component extrusion which is broken in the center indicating indefinite length.

FIG. 2 is a bottom left perspective view of the window component extrusion shown in FIG. 1.

[56] **References Cited**

U.S. PATENT DOCUMENTS

D. 402,057 12/1998 Leonelli D25/124

D. 408,562 4/1999 Kenkel et al. D25/124

FIG. 3 is a top right perspective view of a second embodiment of the window component extrusion which is broken in the center indicating indefinite length; and,

FIG. 4 is a bottom left perspective view of the window component extrusion shown in FIG. 3.

OTHER PUBLICATIONS

Mikron Industries, Inc. Part No. 942 (First drawn: May 6, 1996).

Primary Examiner—Doris Clark

1 Claim, 2 Drawing Sheets

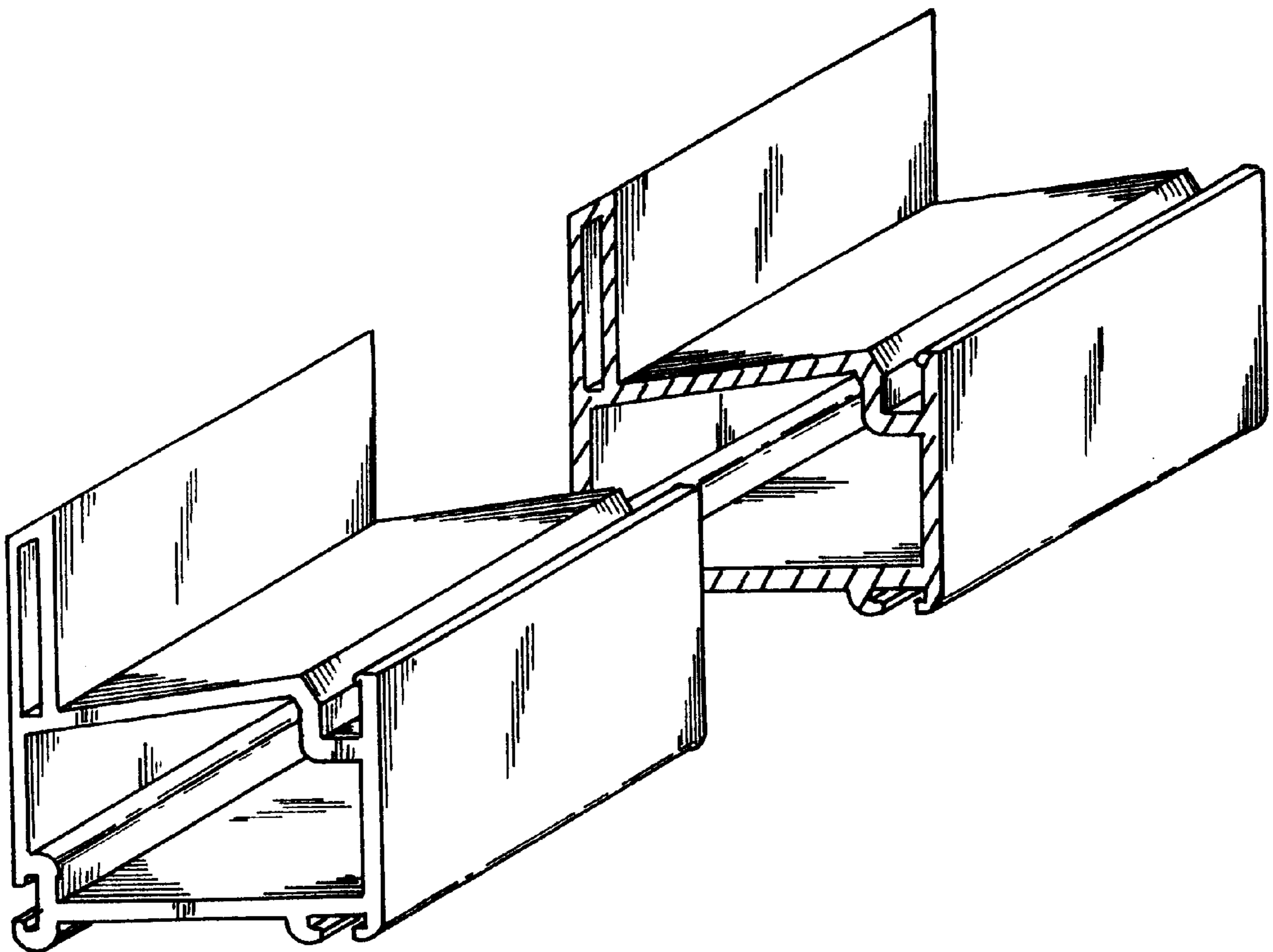


FIG. 1

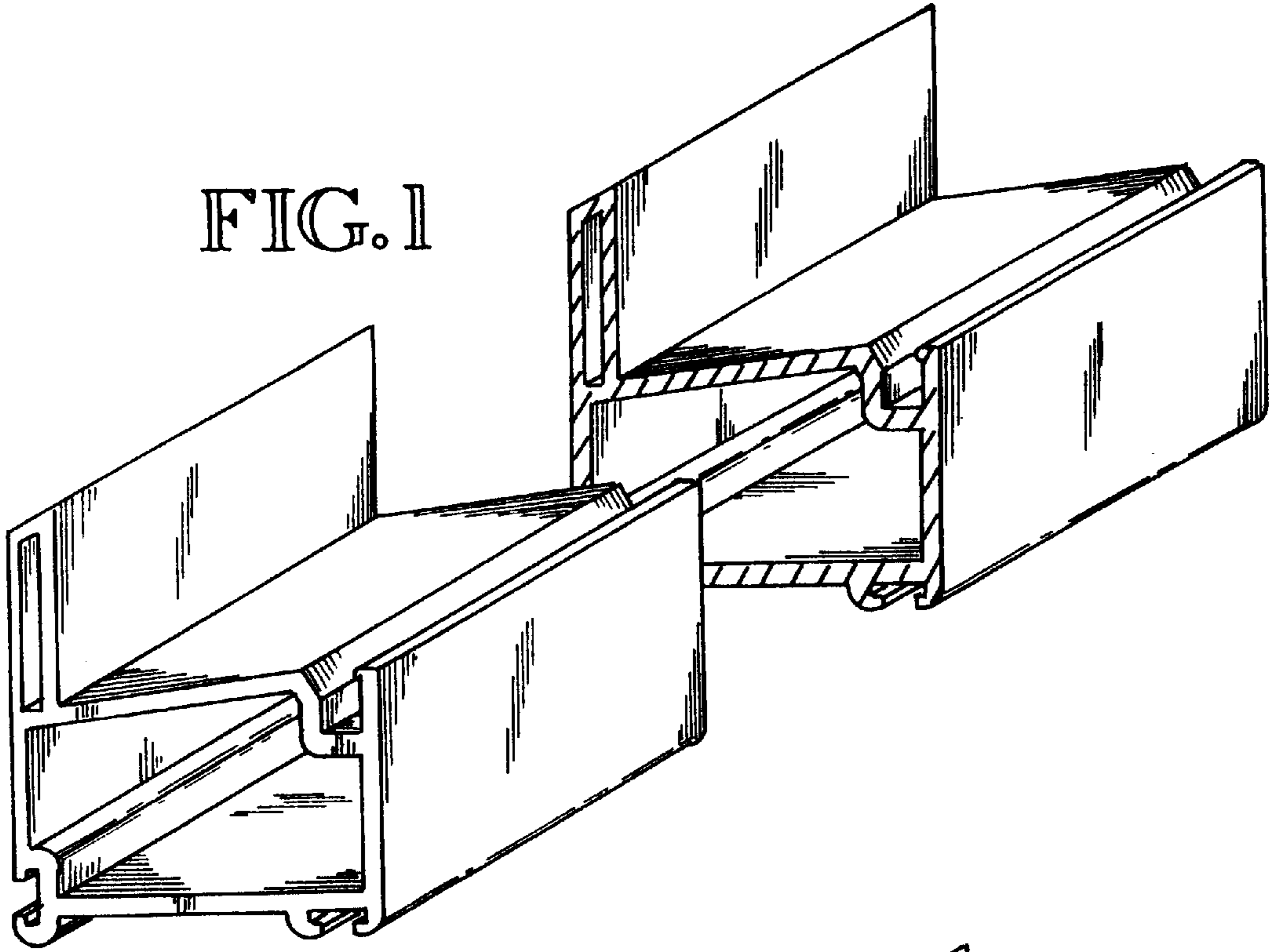


FIG. 2

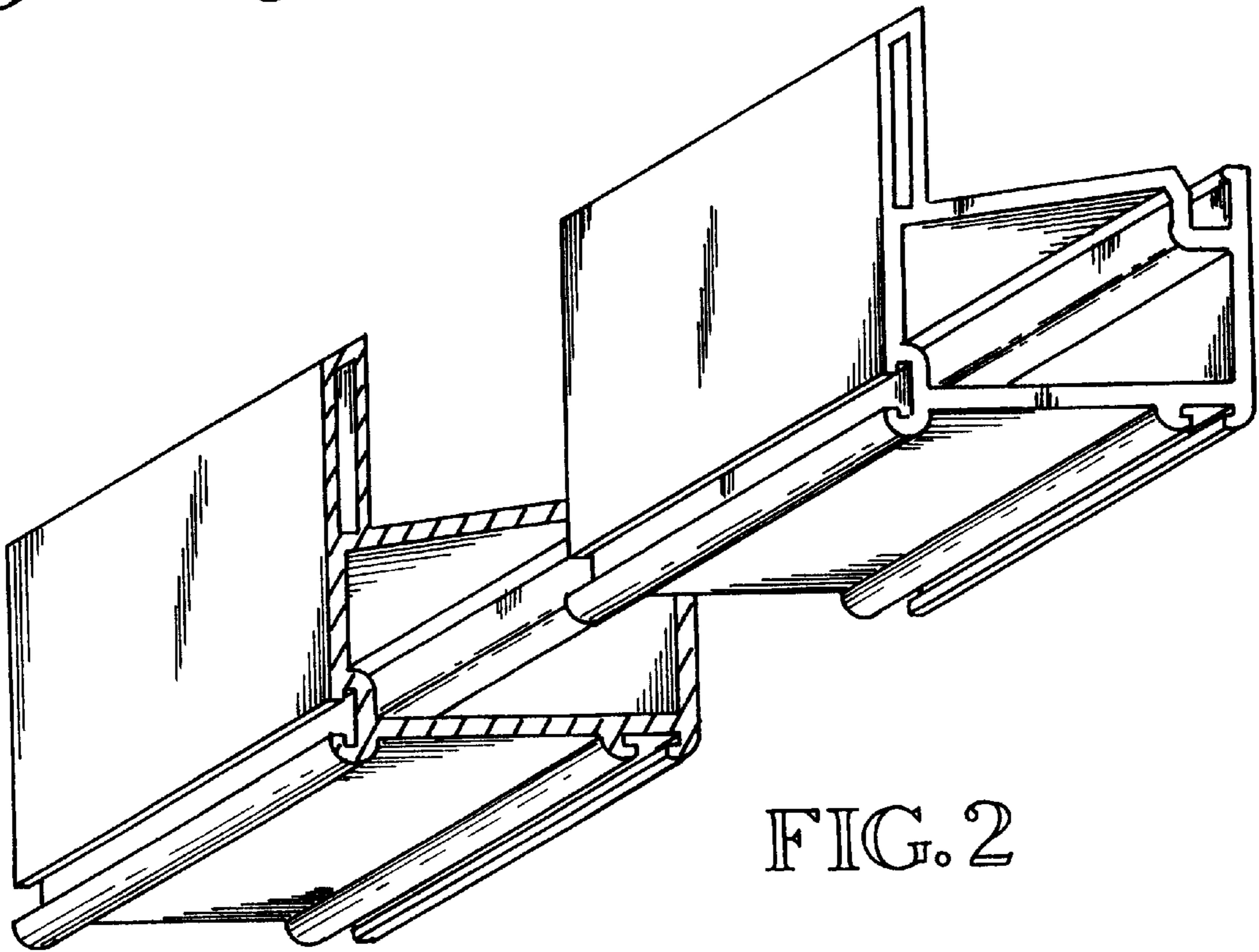


FIG. 3

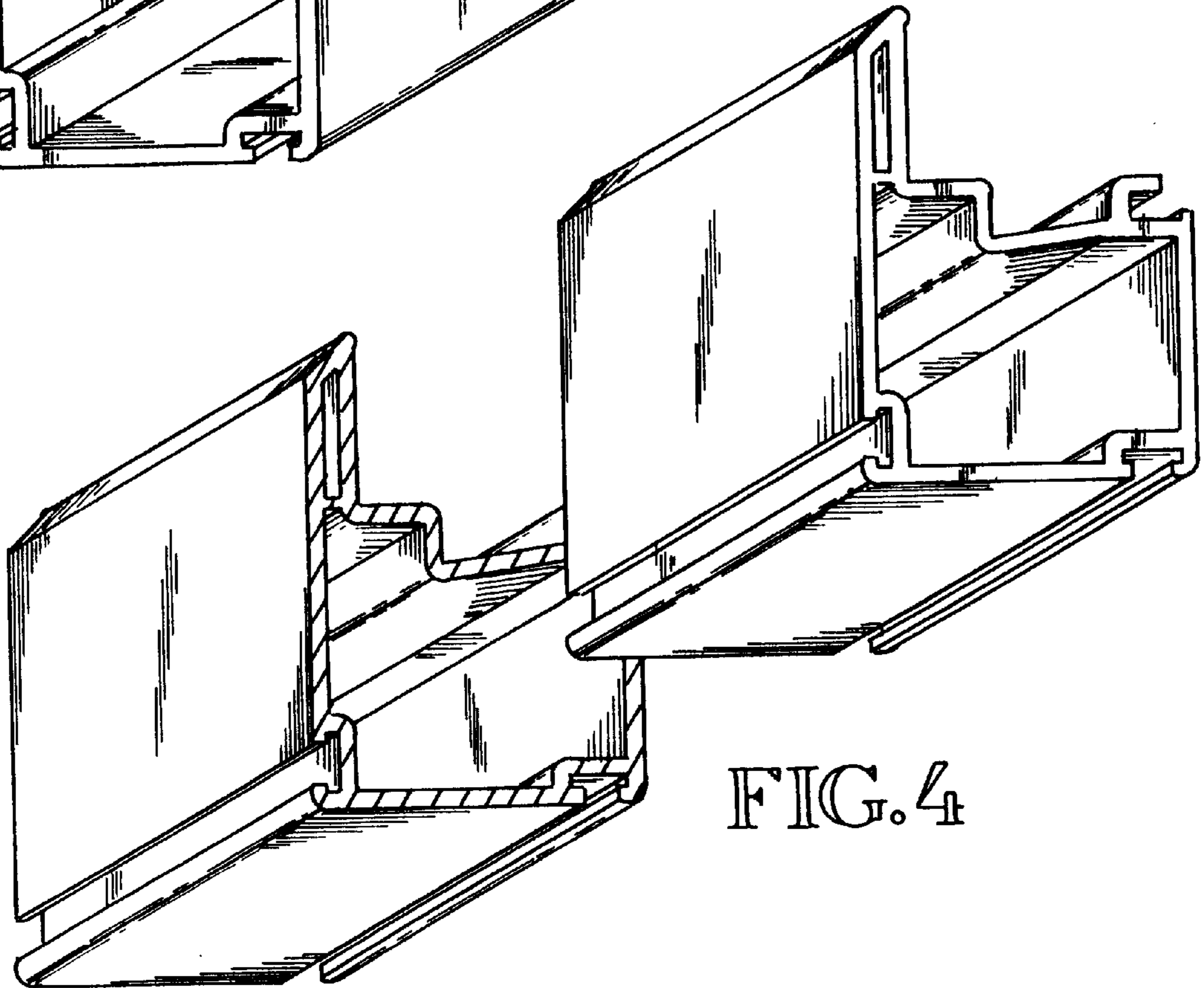
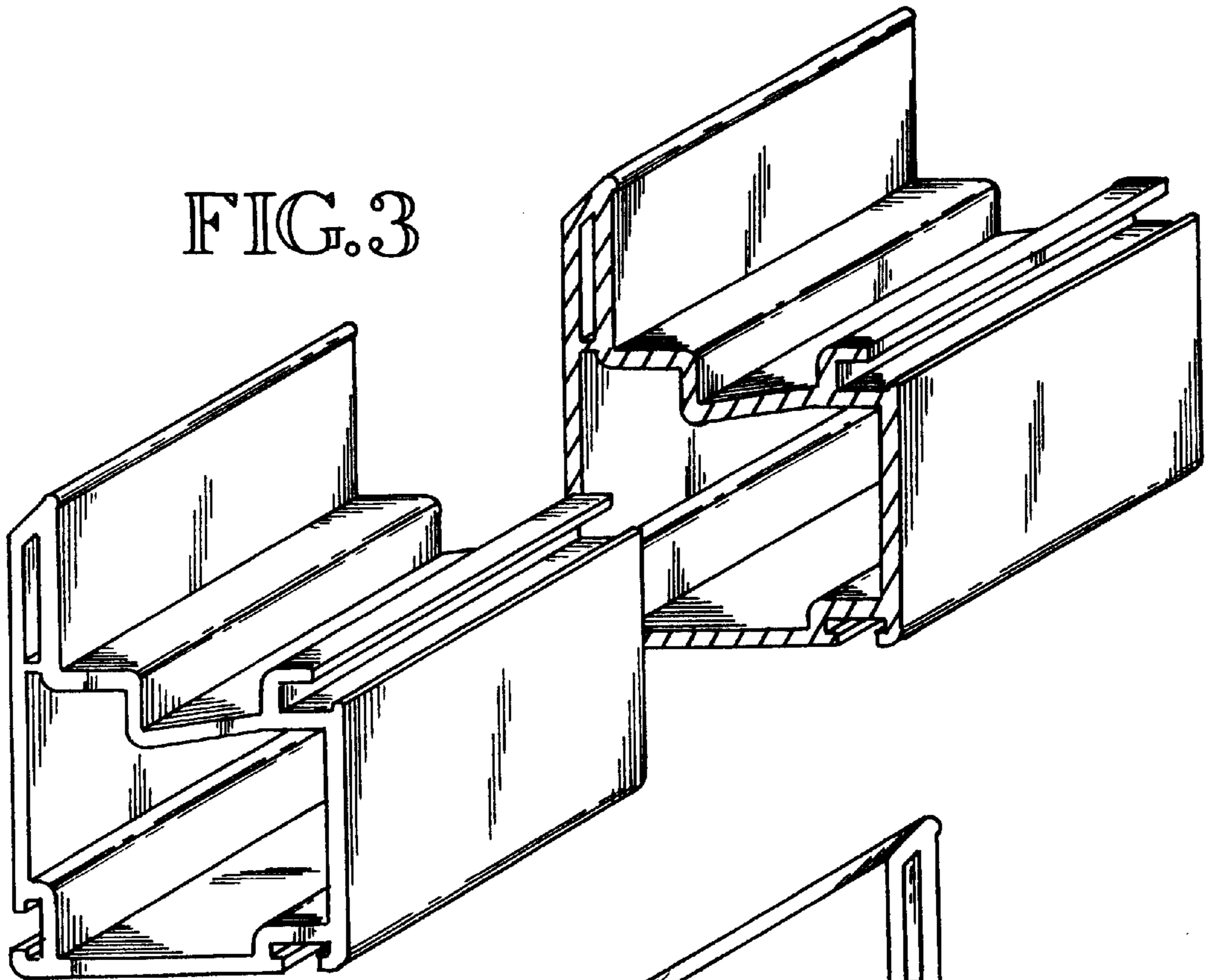


FIG. 4