



US00D430307S

United States Patent [19]

[11] **Patent Number: Des. 430,307**

Pekin et al.

[45] **Date of Patent: ** Aug. 29, 2000**

[54] **THREE-POST EARTHQUAKE-RESISTANT AND ABSORPTION BRIDGE AND BUILDING SUPPORT**

3,662,656 5/1972 Finsterwalder et al. 14/75
3,979,787 9/1976 Ahlgren 14/75

[76] Inventors: **Orhan Pekin**, P.O. Box 8938, La Jolla, Calif. 92038; **Cengiz Sarikcioglu**, 1406 Temple Hills Dr., Laguna Hills, Calif. 92651

Primary Examiner—Doris Clark
Attorney, Agent, or Firm—Frank G. Morkunas

[**] Term: **14 Years**

[57] **CLAIM**

[21] Appl. No.: **29/115,762**

We claim the ornamental design for the three-post earthquake-resistant and absorption bridge and building support, as shown and described.

[22] Filed: **Dec. 20, 1999**

DESCRIPTION

Related U.S. Application Data

FIG. 1 is a perspective view of a 3-post earthquake-resistant and absorption bridge and building support showing our new design;

[63] Continuation-in-part of application No. 29/102,742, Mar. 30, 1999.

FIG. 2 is a top plan view thereof.

[51] **LOC (7) Cl.** **25-04**

FIG. 3 is a bottom plan view thereof.

[52] **U.S. Cl.** **D25/62**

[58] **Field of Search** D25/62, 56, 1; 14/13, 35, 77.1, 78, 3, 14, 77.3; 52/167.1, 167.3; 248/219, 163.1, 188.1, 431

FIG. 4 is an elevation view of one side thereof, the other two sides being the same; and,

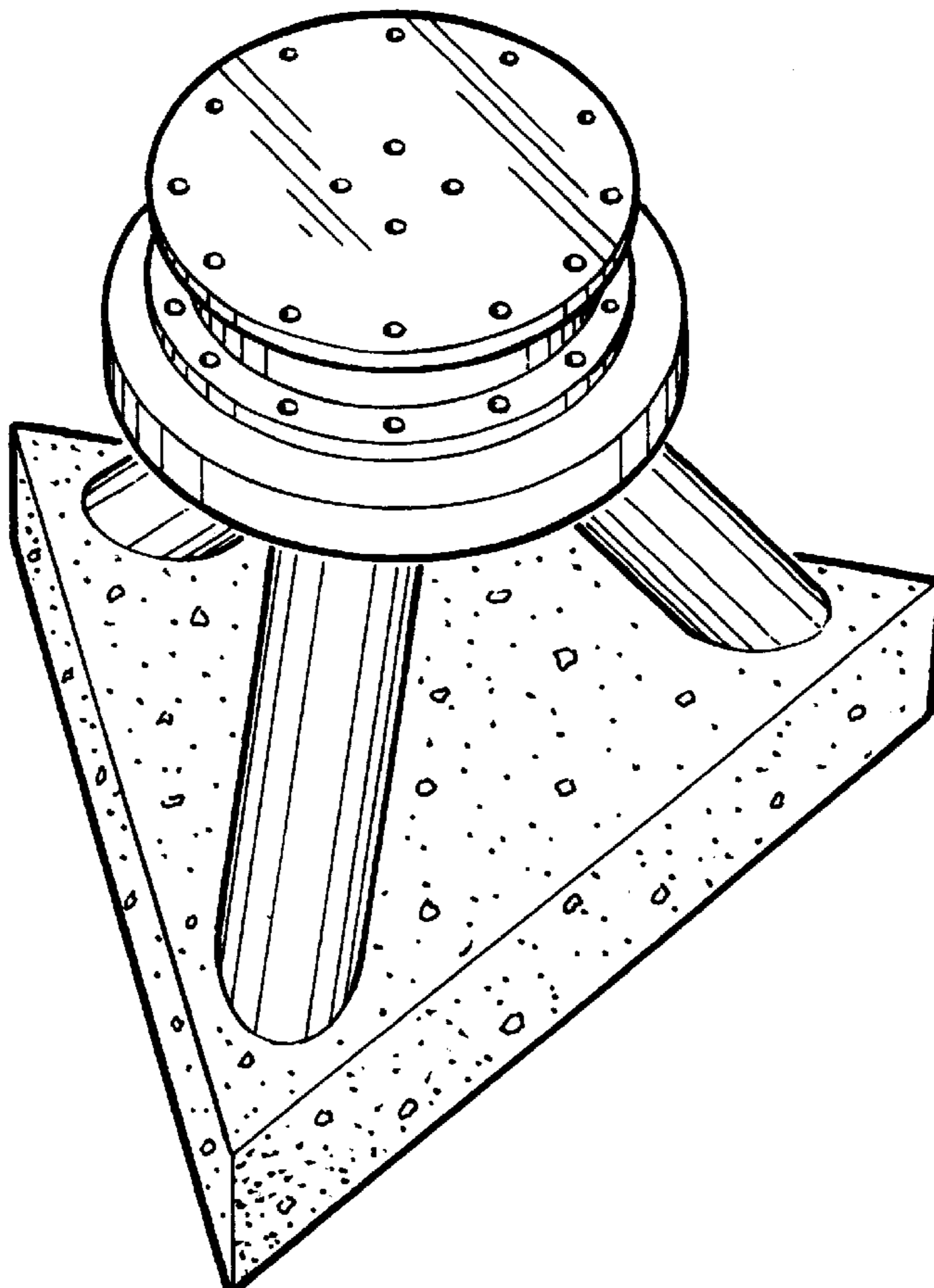
FIG. 5 is an elevation view of one corner thereof, the other two corner views being the same.

[56] **References Cited**

U.S. PATENT DOCUMENTS

D. 312,314 11/1990 Harris D25/62

1 Claim, 3 Drawing Sheets



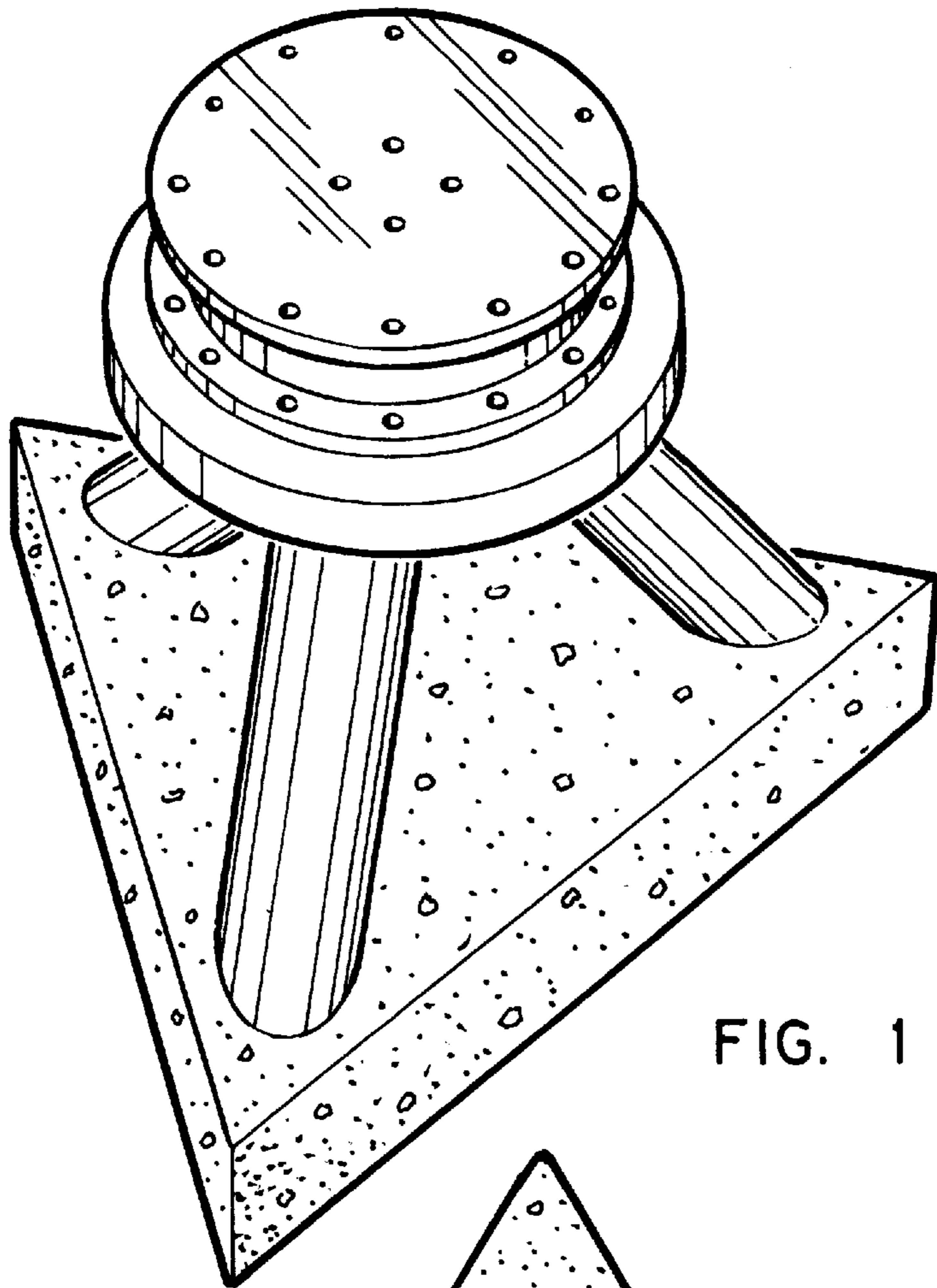


FIG. 1

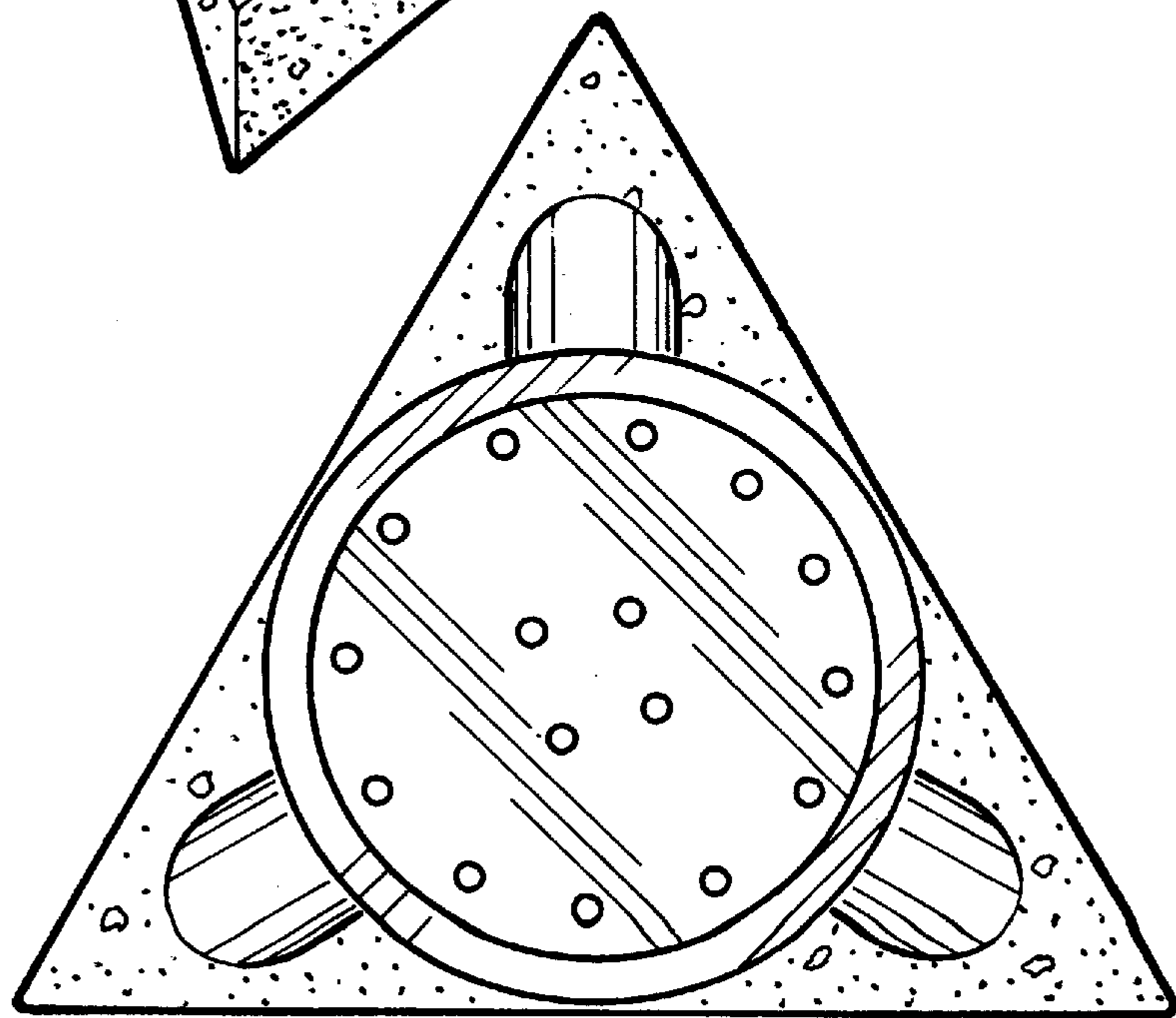


FIG. 2

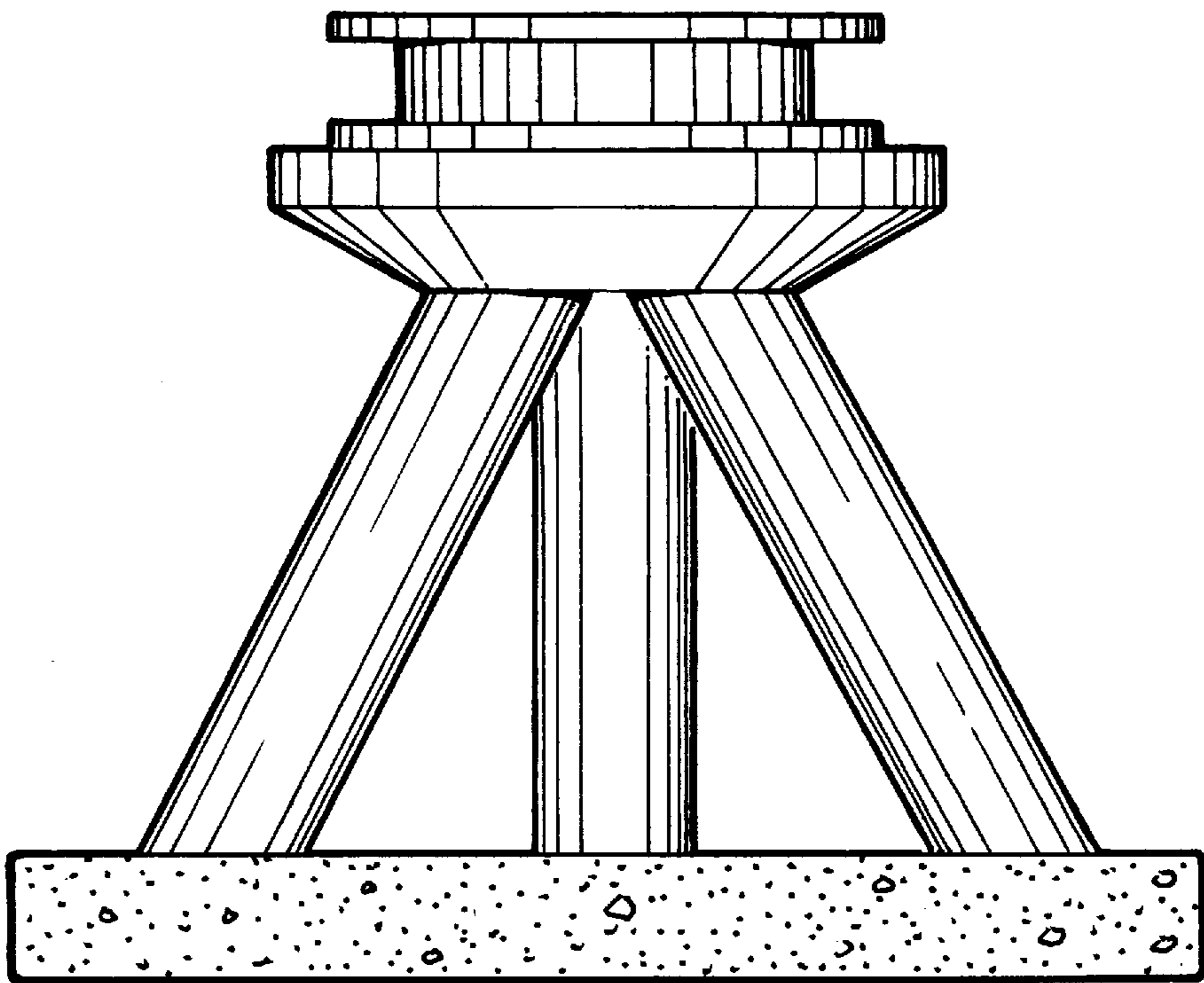


FIG. 4

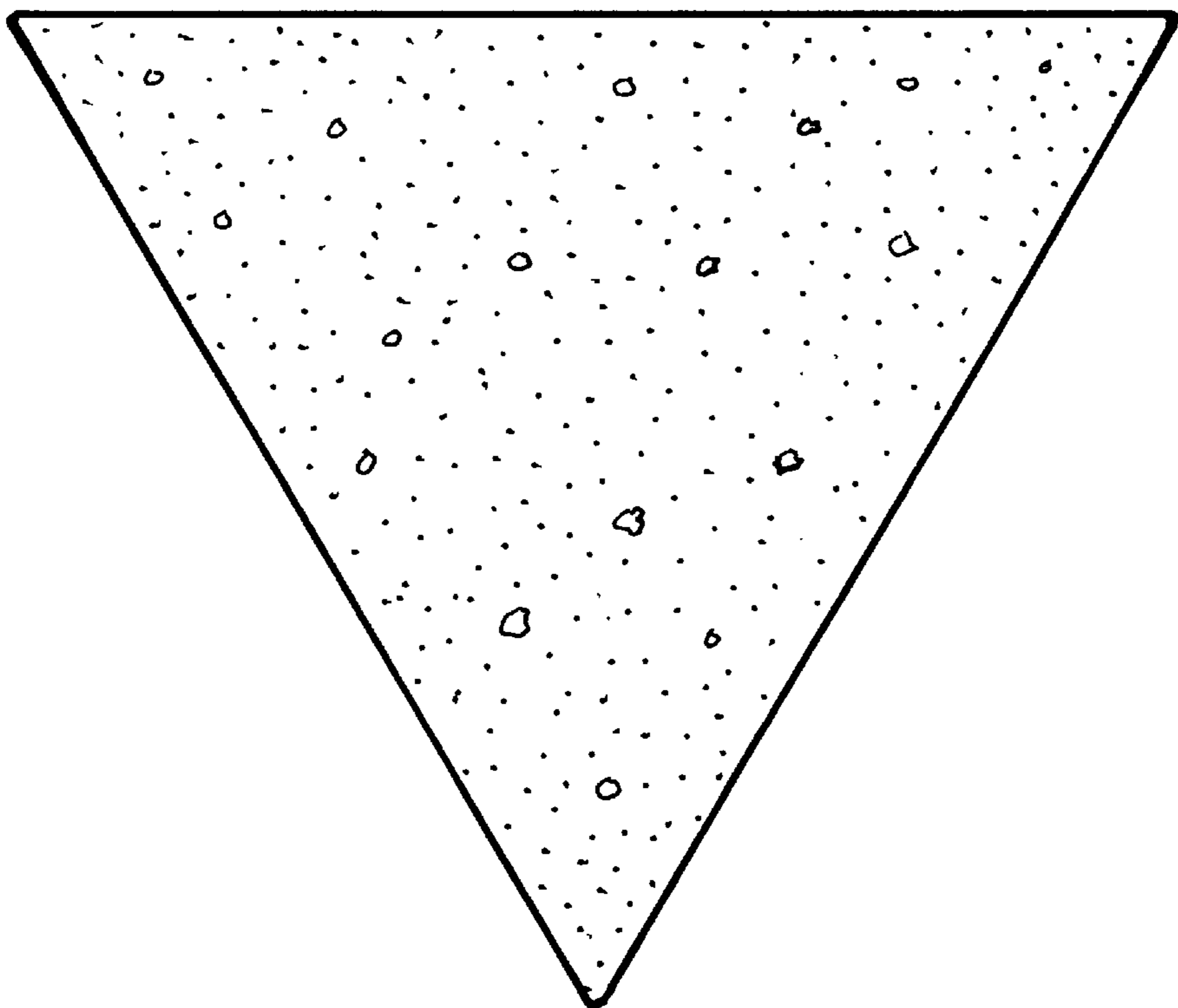


FIG. 3

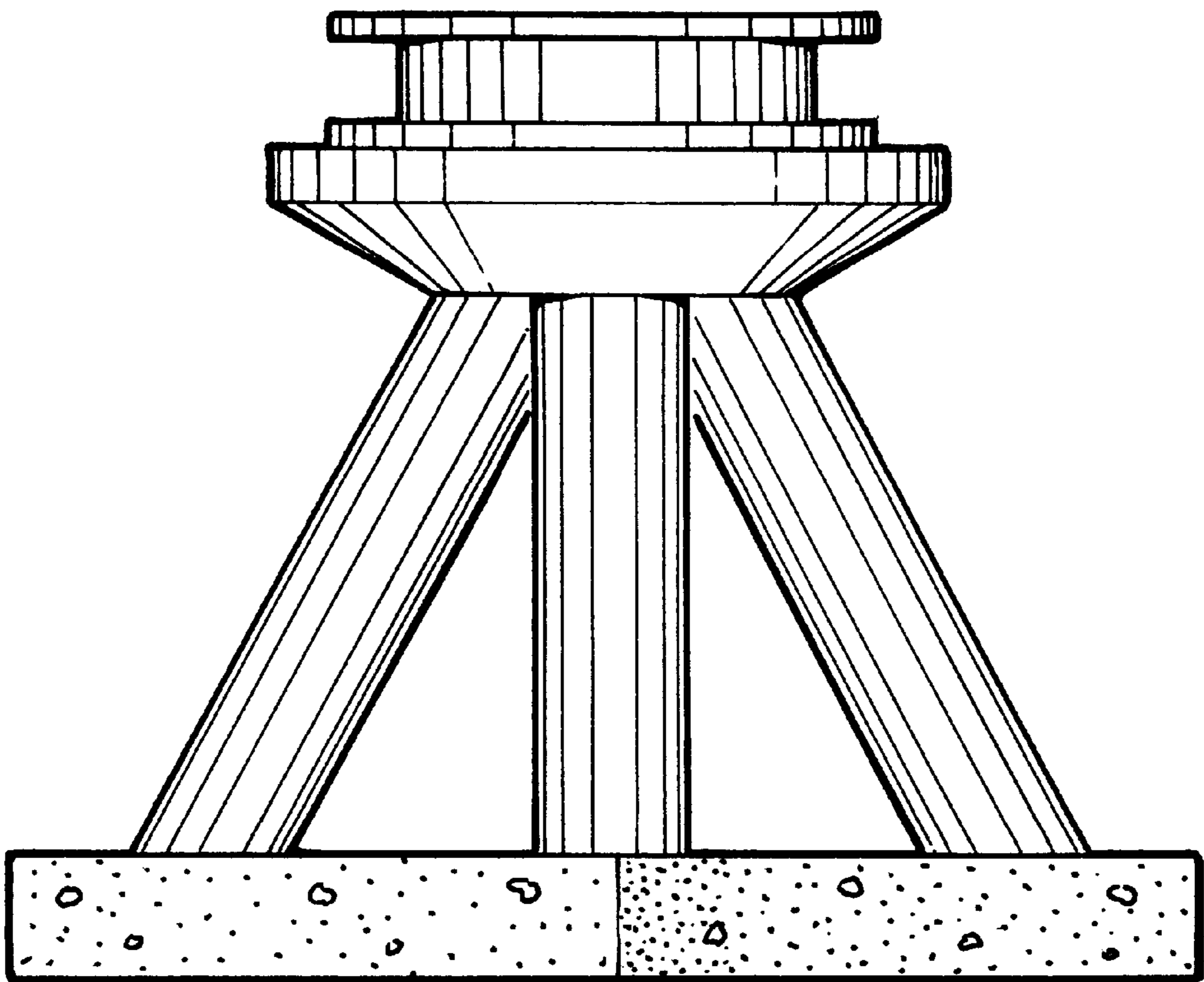


FIG. 5