



US00D430301S

United States Patent [19]
Pfiffner

[11] **Patent Number: Des. 430,301**

[45] **Date of Patent: ** Aug. 29, 2000**

[54] **COMBINED BABY BOTTLE AND TOY**

[76] Inventor: **Jacqueline B. Pfiffner**, Koll Center 501
W. Broadway, Suite 550, San Diego,
Calif. 92101

[**] Term: **14 Years**

[21] Appl. No.: **29/100,277**

[22] Filed: **Feb. 8, 1999**

[51] **LOC (7) Cl.** **07-01**

[52] **U.S. Cl.** **D24/197**

[58] **Field of Search** D24/197, 198;
215/11.1, 11.2, 11.3, 11.4, 11.5, 11.6; D21/430

[56] **References Cited**

U.S. PATENT DOCUMENTS

D. 74,251	1/1928	Bettoll et al.	D24/198
D. 132,520	5/1942	Thomasini	D21/430
D. 234,212	1/1975	Morin et al.	D21/430
D. 287,767	1/1987	Simmons	D24/198
D. 303,431	9/1989	Brown	D24/198
D. 304,846	11/1989	Hahn	D21/430
D. 326,158	5/1992	Katz et al.	D24/198
D. 379,659	6/1997	Alston	D24/198

Primary Examiner—Stella Reid

Attorney, Agent, or Firm—Presseisen & Reidelbach, P.C.;
Charles F. Reidelbach, Jr.

[57] **CLAIM**

The ornamental design for a combined baby bottle and toy,
as shown and described.

DESCRIPTION

FIG. 1 is a perspective view of the embodiment of a
combined baby bottle and toy showing my new design
wherein the baby bottle has a sloping cylindrical shape with
an arrangement of toy elements clipped-on or snapped-on to
the exterior surface;

FIG. 2 is a left side elevational view of the combined baby
bottle and toy as shown in FIG. 1;

FIG. 3 is a top plan view of the combined baby bottle and
toy as shown in FIG. 1;

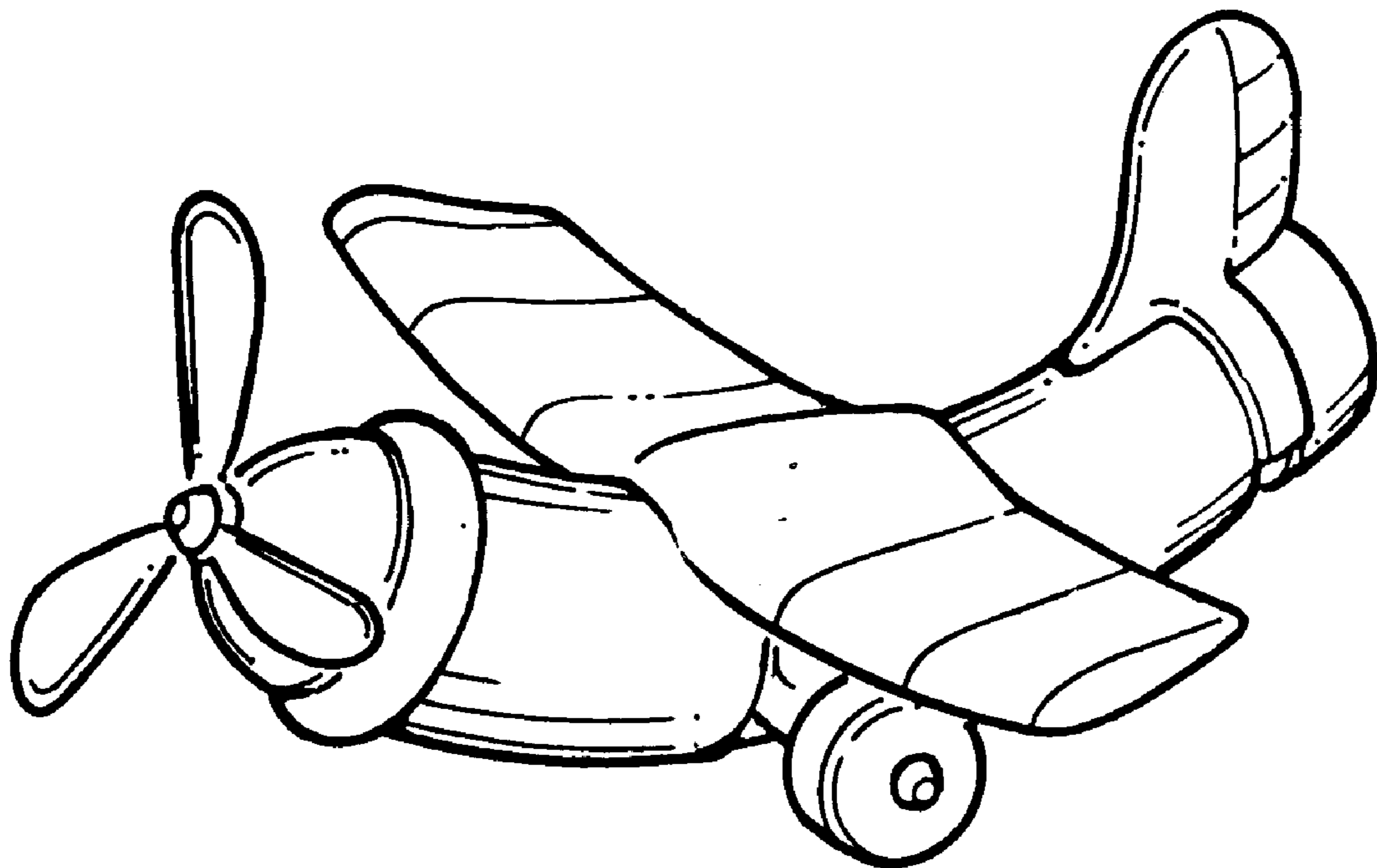
FIG. 4 is a right side elevational view of the combined baby
bottle and toy as shown in FIG. 1;

FIG. 5 is a bottom plan view of the combined baby bottle
and toy as shown in FIG. 1;

FIG. 6 is a front elevational view of the combined baby
bottle and toy as shown in FIG. 1; and,

FIG. 7 is a rear elevational view of the combined baby bottle
and toy as shown in FIG. 1.

1 Claim, 2 Drawing Sheets



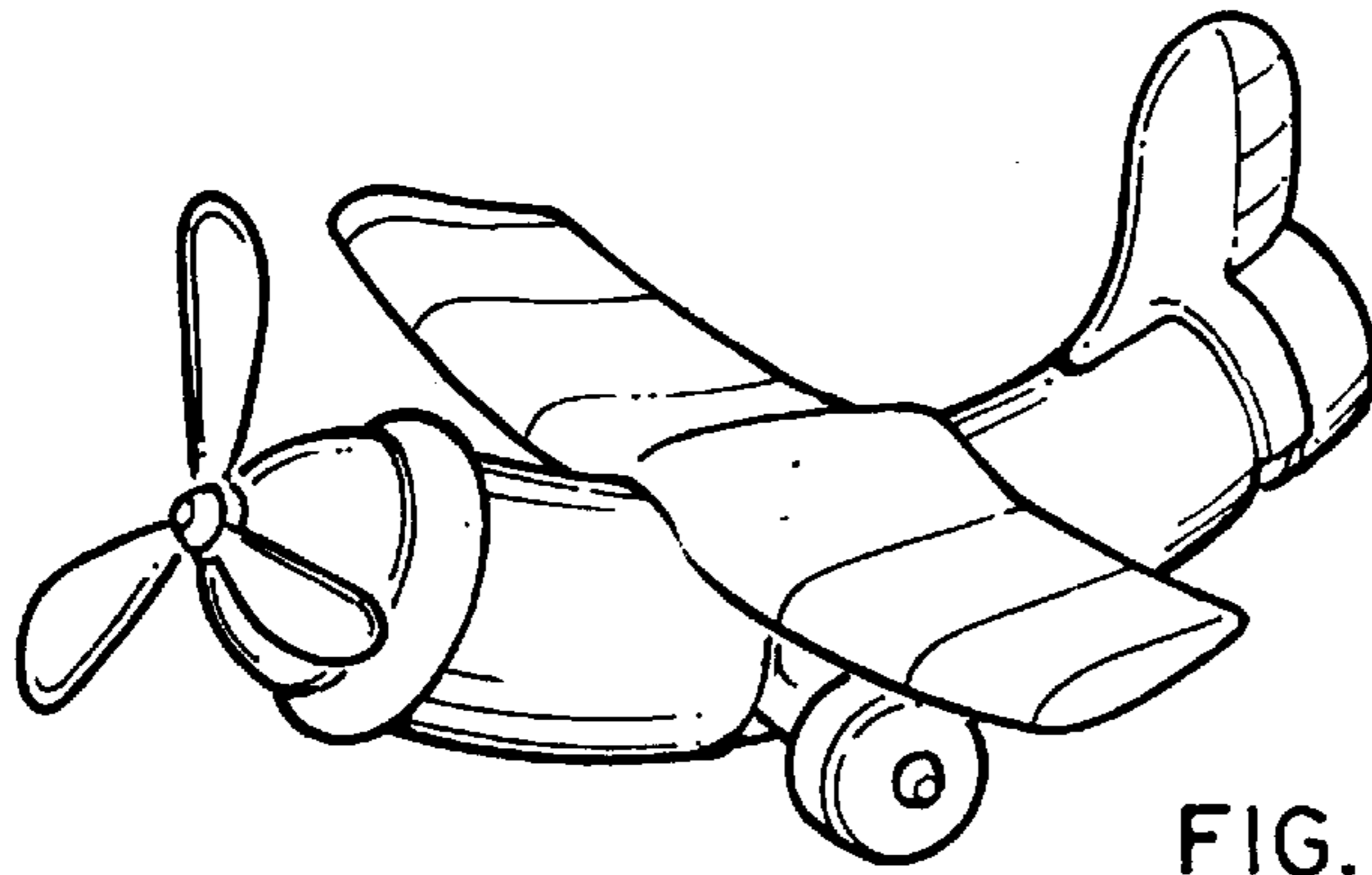


FIG. 1

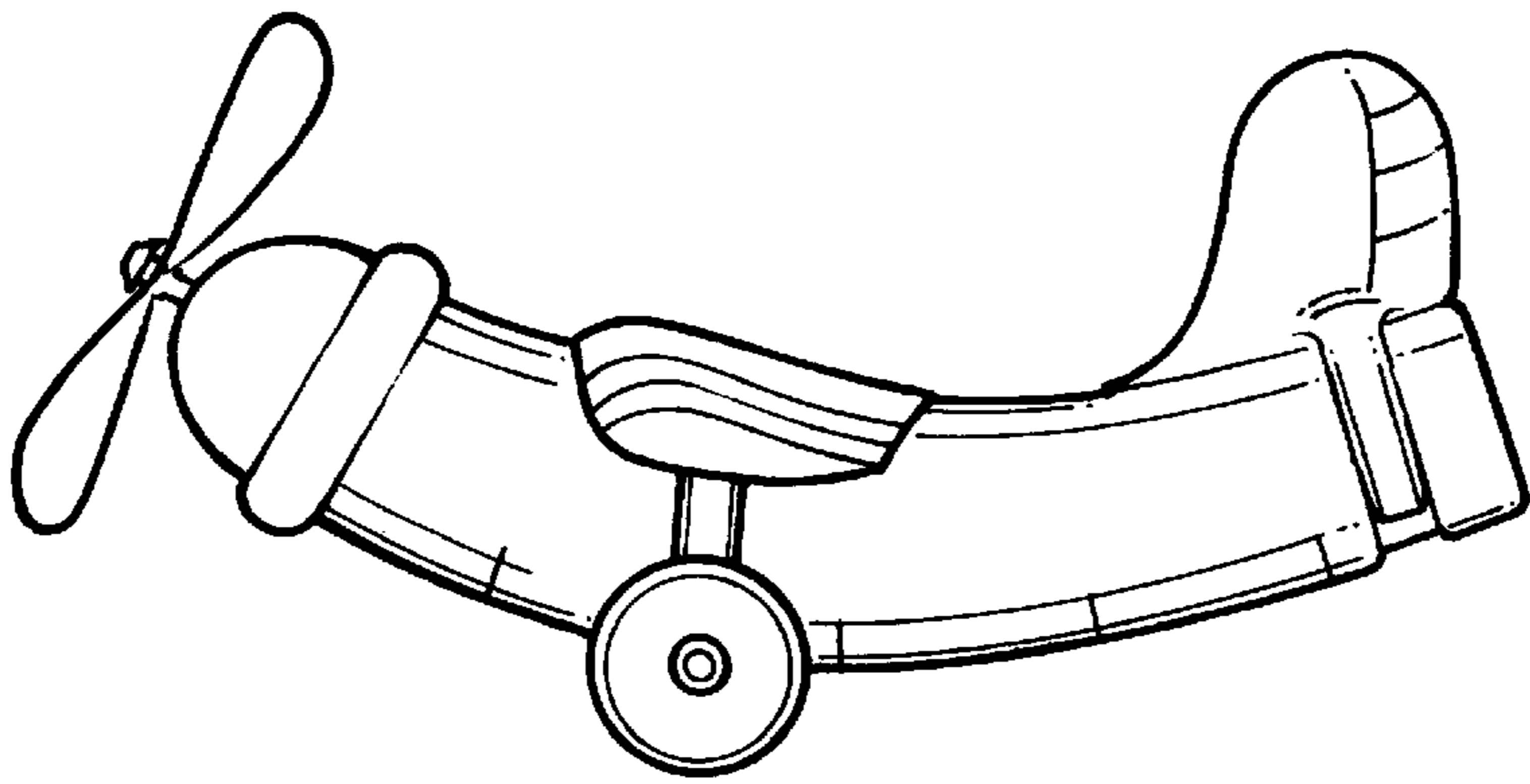


FIG. 2

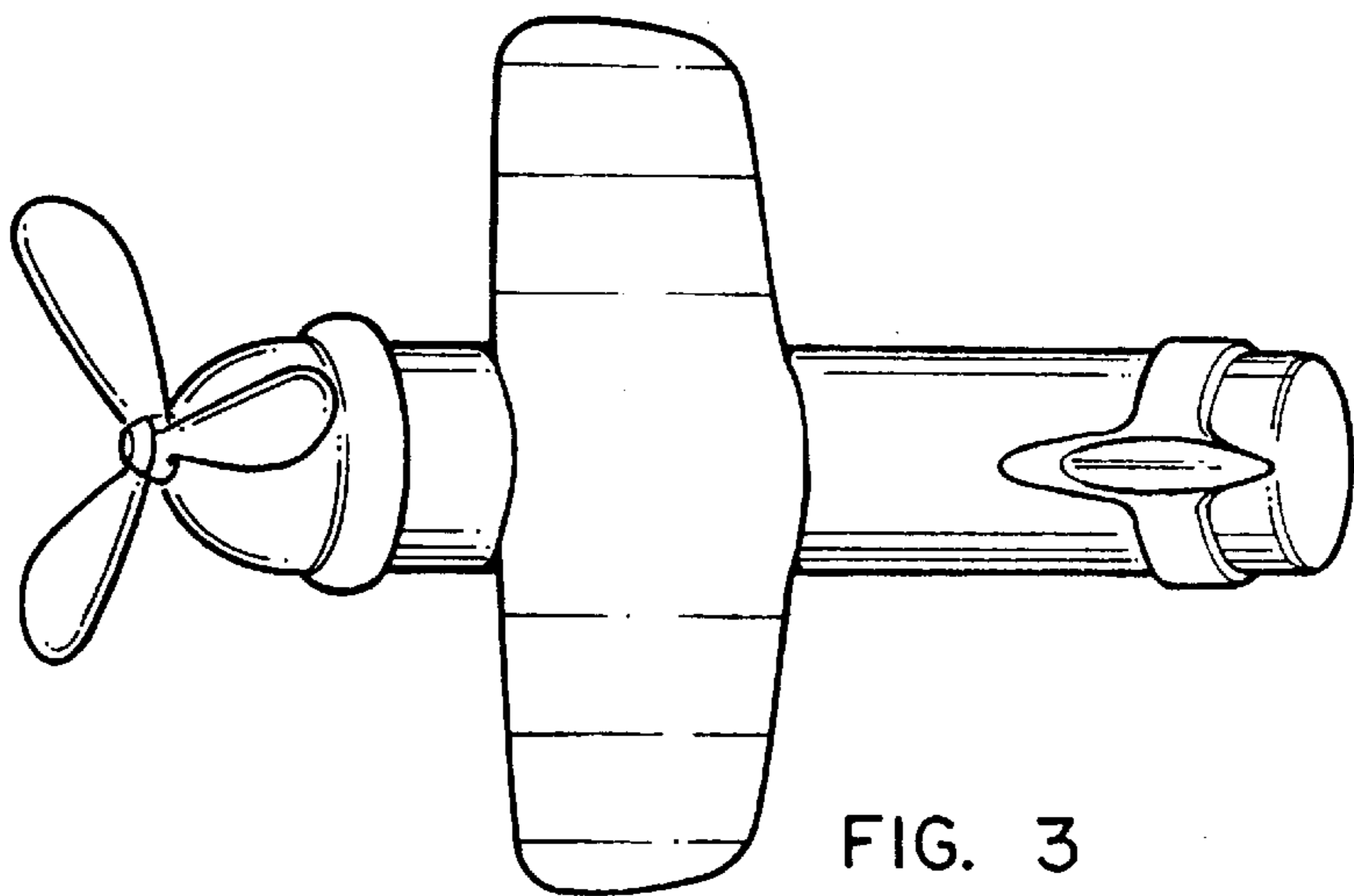


FIG. 3

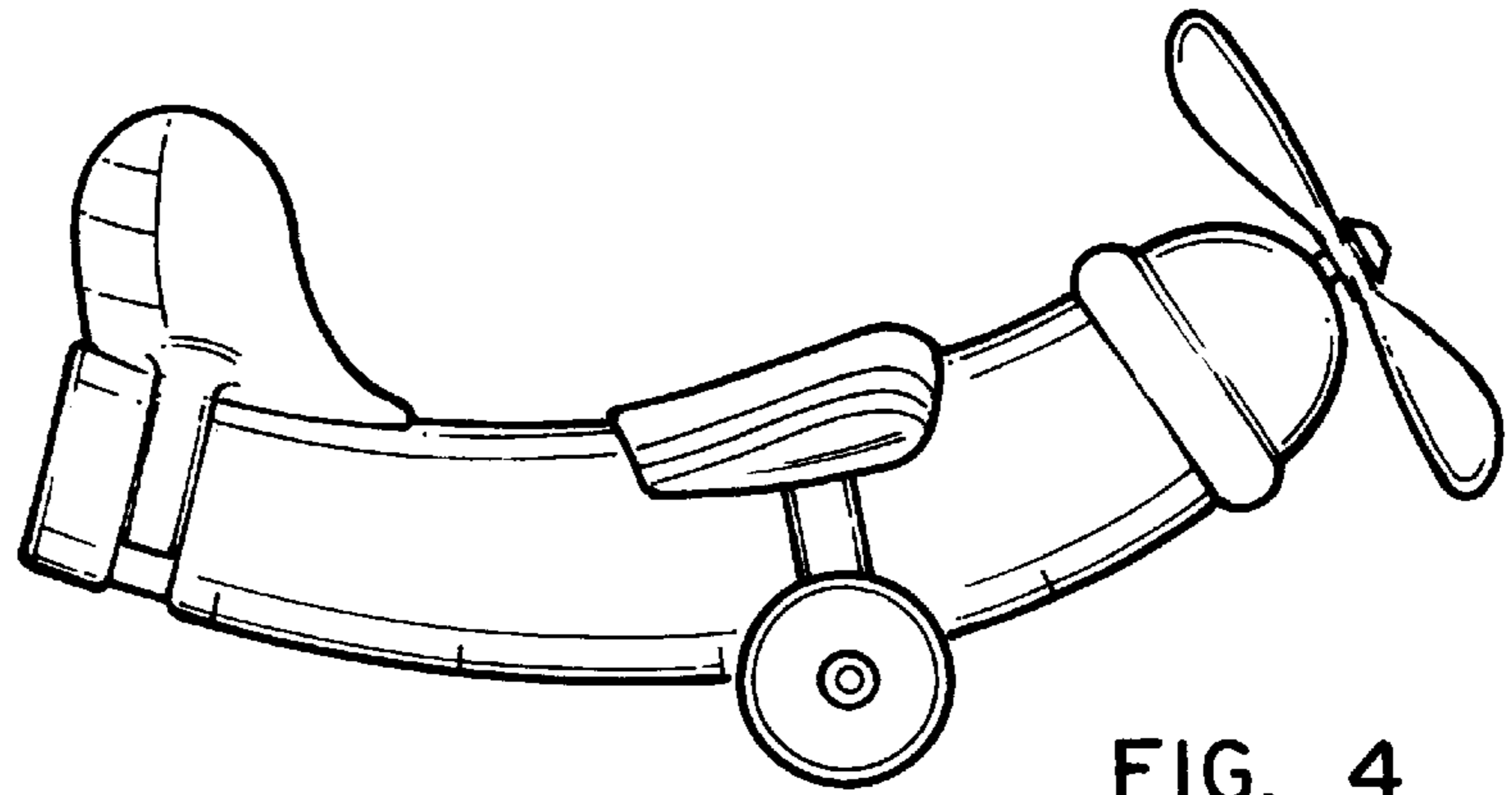


FIG. 4

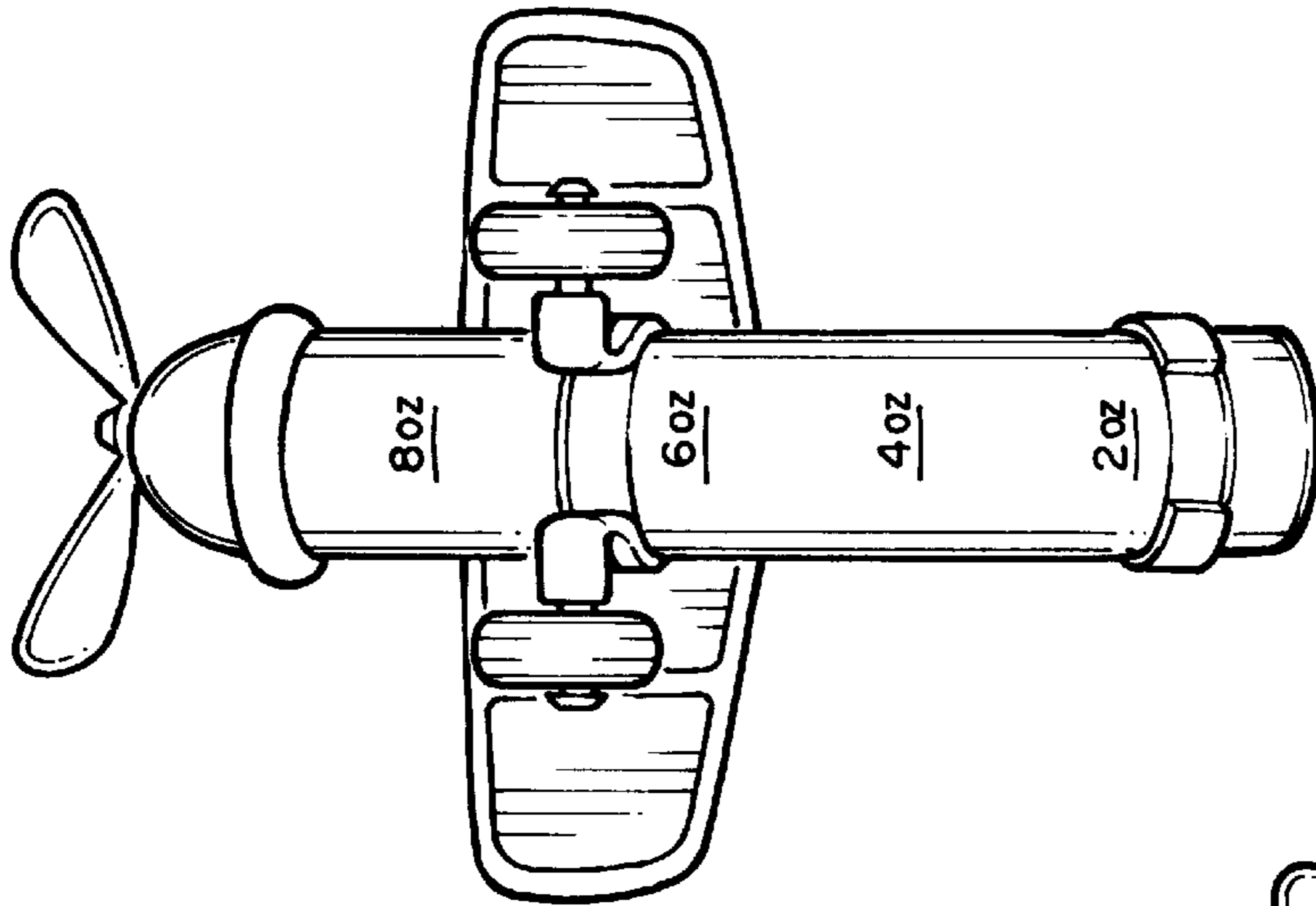


FIG. 5

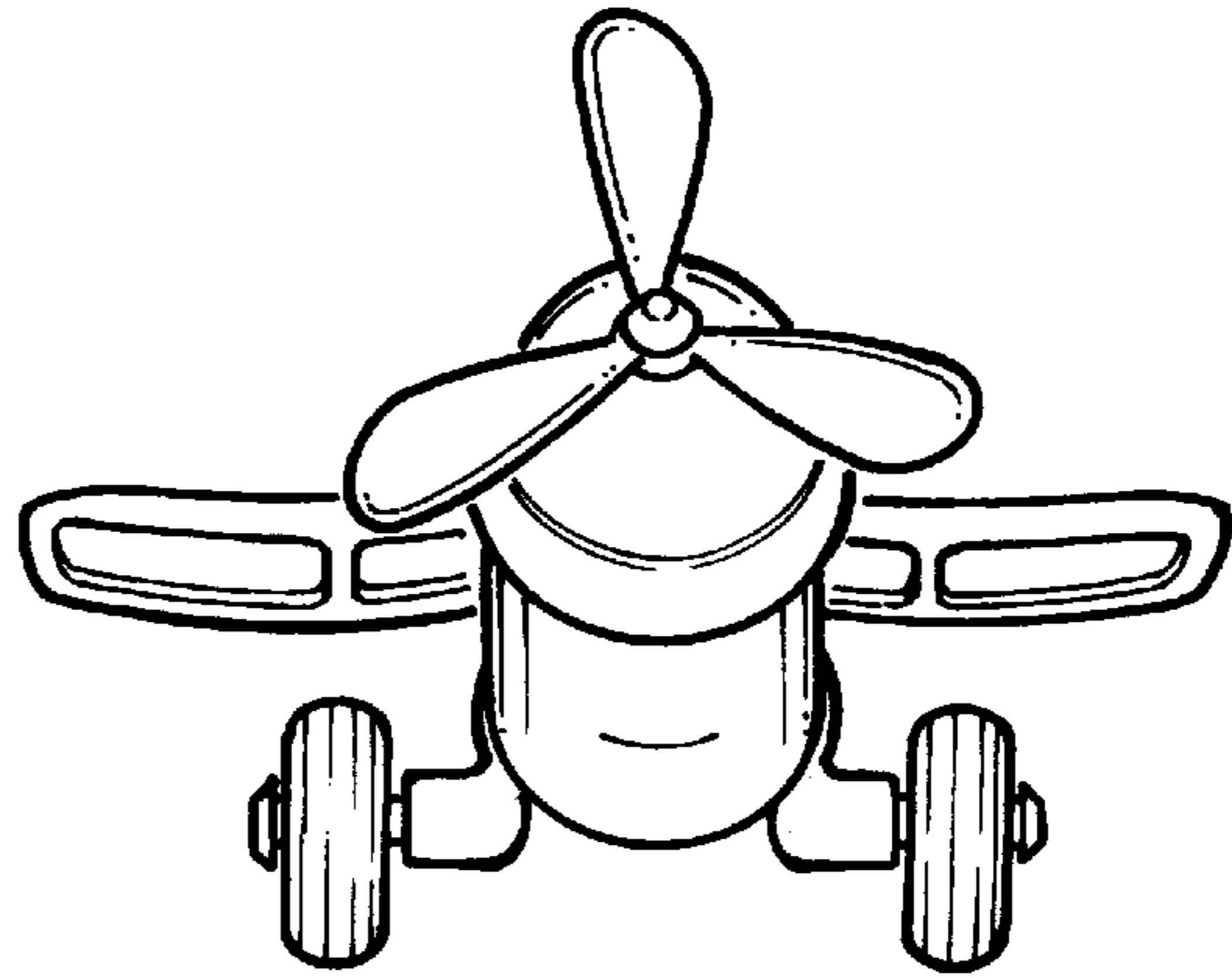


FIG. 6

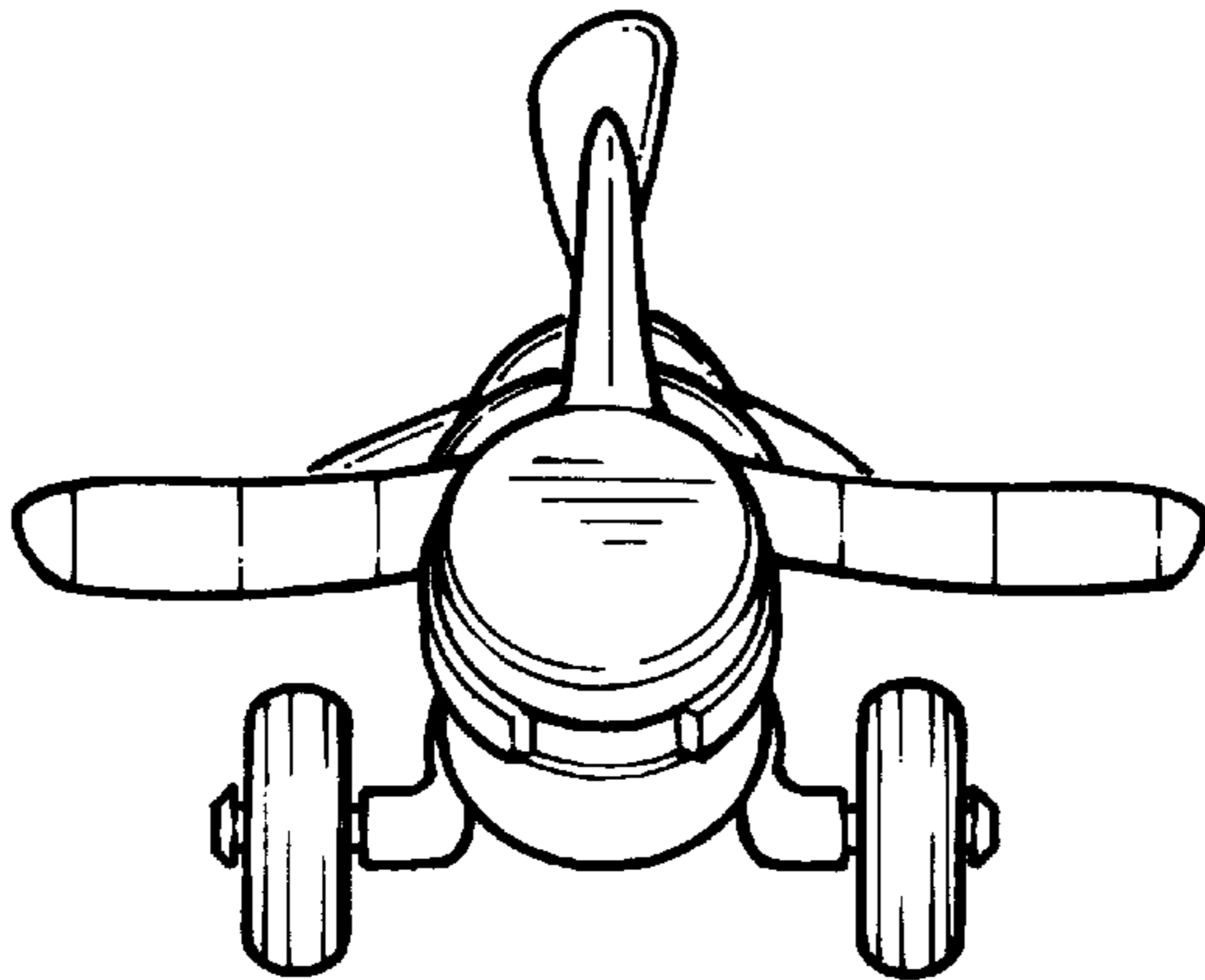


FIG. 7