



US00D430299S

**United States Patent** [19]  
**Bergström et al.**

[11] **Patent Number: Des. 430,299**  
[45] **Date of Patent: \*\* Aug. 29, 2000**

[54] **DENTAL IMPLANT COMPONENT**

[75] Inventors: **Nils Gustaf Bergström**, Vagnhärad;  
**Leif E. Broberg**, Mölndal; **Hansruedi Carisch**, La Chaux-de-Fonds; **Anders Holmén**, Hovås, all of Sweden

[73] Assignee: **Astra Aktiebolag**, Sodertalje, Sweden

[\*\*] Term: **14 Years**

[21] Appl. No.: **29/099,854**

[22] Filed: **Jan. 29, 1999**

[30] **Foreign Application Priority Data**

Jul. 29, 1998 [SE] Sweden ..... 98-1487

[51] **LOC (7) Cl.** ..... **24-03**

[52] **U.S. Cl.** ..... **D24/156**

[58] **Field of Search** ..... D24/156; 433/172-195;  
623/16

[56] **References Cited**

**U.S. PATENT DOCUMENTS**

4,842,517 6/1989 Kawahara et al. .... 623/16  
5,927,979 7/1999 Misch et al. .... 433/172

*Primary Examiner*—Antoine Duval Davis  
*Attorney, Agent, or Firm*—White & Case LLP

[57] **CLAIM**

The ornamental design for a dental implant component, as shown and described.

**DESCRIPTION**

FIG. 1 is a perspective view from above of the first embodiment of the dental implant component according to the present invention.

FIG. 2 is a perspective view from below of the first embodiment of the dental implant component.

FIG. 3 is a front view of the first embodiment of the dental implant component.

FIG. 4 is a side view of the first embodiment of the dental implant component.

FIG. 5 is a bottom plan view of the first embodiment of the dental implant component.

FIG. 6 is a top plan view of the first embodiment of the dental implant component.

FIG. 7 is a perspective view from above of a second embodiment of the dental implant component.

FIG. 8 is a perspective view from below of the second embodiment of the dental implant component.

FIG. 9 is a front view of the second embodiment of the dental implant component.

FIG. 10 is a side view of the second embodiment of the dental implant component.

FIG. 11 is a bottom plan view of the second embodiment of the dental implant component.

FIG. 12 is a top plan view of the second embodiment of the dental implant component.

FIG. 13 is a perspective view from above of a third embodiment of the dental implant component.

FIG. 14 is a perspective view from below of the third embodiment of the dental implant component.

FIG. 15 is a front view of the third embodiment of the dental implant component.

FIG. 16 is a side view of the third embodiment of the dental implant component.

FIG. 17 is a bottom plan view of the third embodiment of the dental implant component.

FIG. 18 is a top plan view of the third embodiment of the dental implant component.

FIG. 19 is a perspective view from above of a fourth embodiment of the dental implant component.

FIG. 20 is a perspective view from below of the fourth embodiment of the dental implant component.

FIG. 21 is a front view of the fourth embodiment of the dental implant component.

FIG. 22 is a top plan view of the fourth embodiment of the dental implant component.

FIG. 23 is a bottom plan view of the fourth embodiment of the dental implant component.

FIG. 24 is a perspective view from above of a fifth embodiment of the dental implant component.

FIG. 25 is a perspective view from below of the fifth embodiment of the dental implant component.

FIG. 26 is a front view of the fifth embodiment of the dental implant component.

FIG. 27 is a top plan view of the fifth embodiment of the dental implant component.

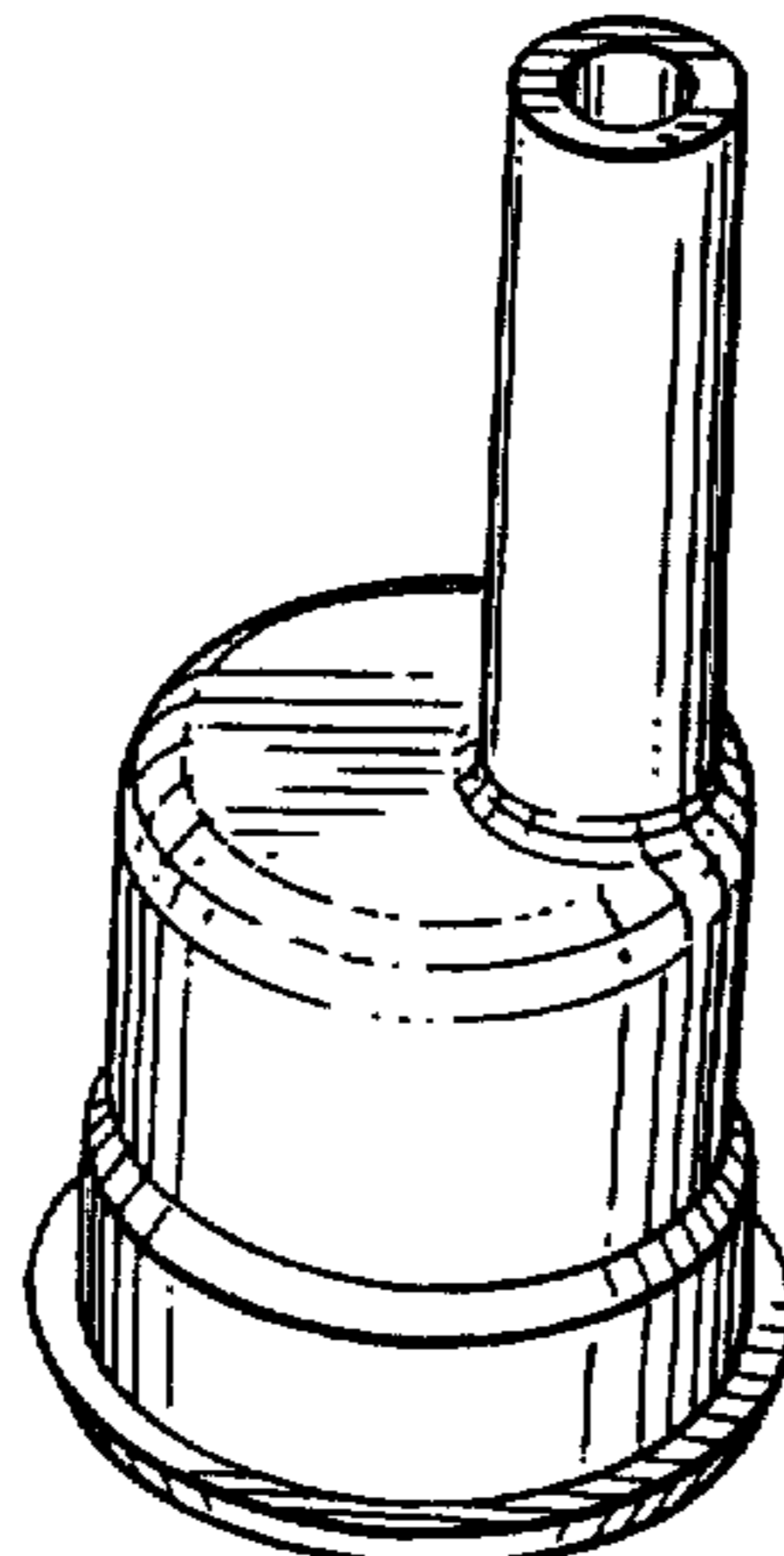


FIG. 28 is a bottom plan view of the fifth embodiment of the dental implant component.

FIG. 29 is a perspective view from above of a sixth embodiment of the dental implant component.

FIG. 30 is a perspective view from below of the sixth embodiment of the dental implant component.

FIG. 31 is a front view of the sixth embodiment of the dental implant component.

FIG. 32 is a top plan view of the sixth embodiment of the dental implant component; and,

FIG. 33 is a bottom plan view of the sixth embodiment of the dental implant component.

**1 Claim, 12 Drawing Sheets**

Fig. 1

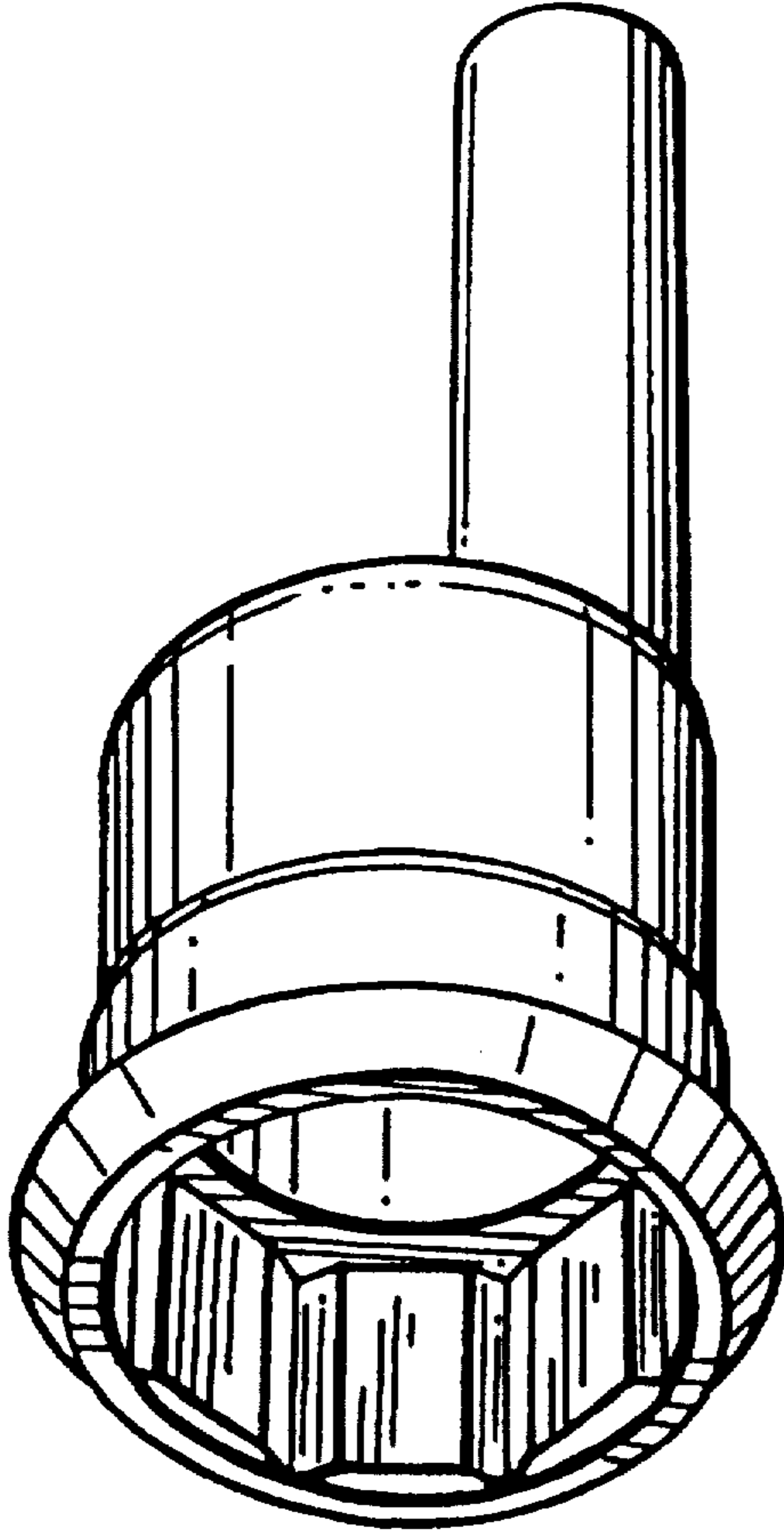
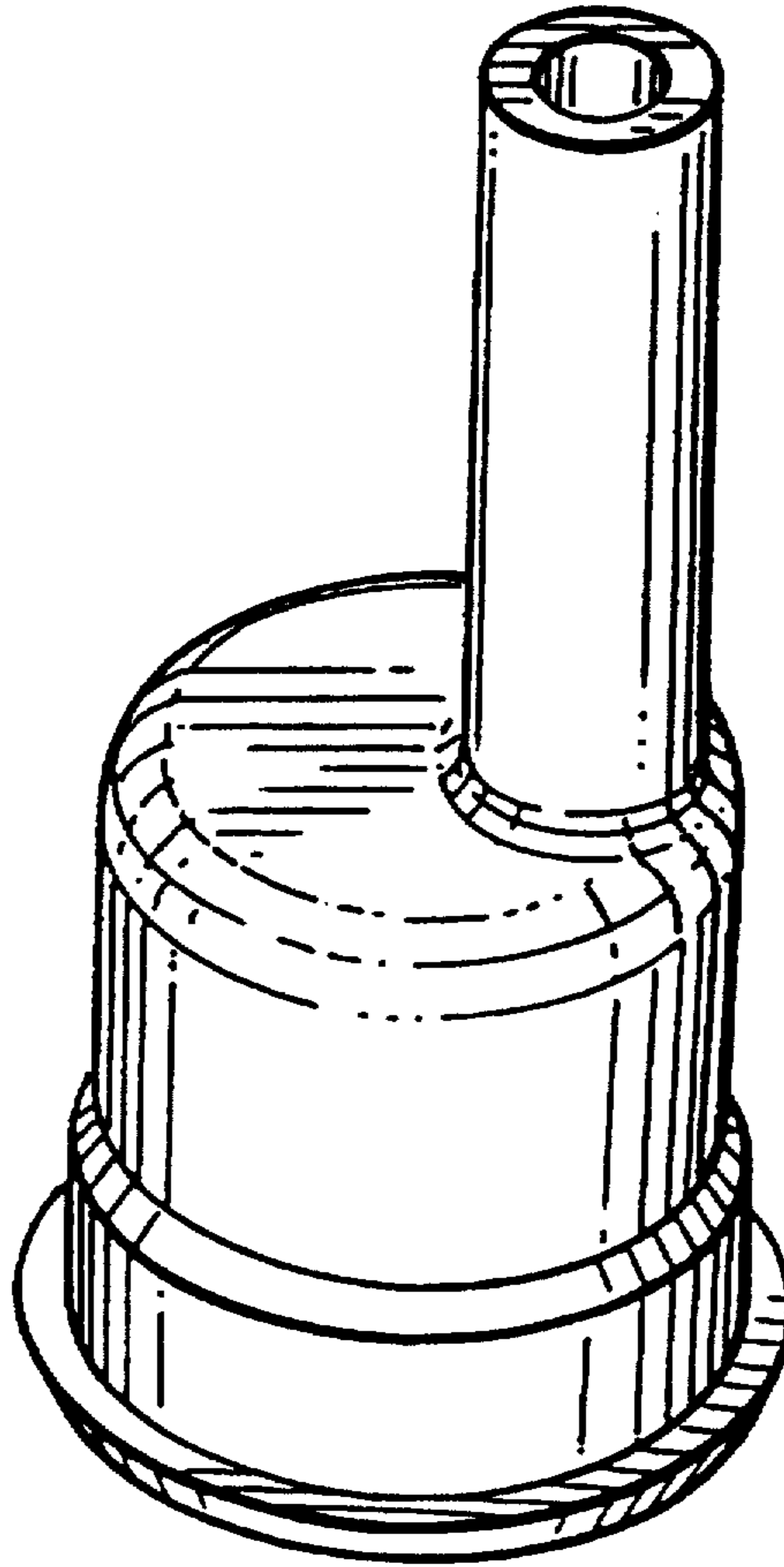


Fig. 2

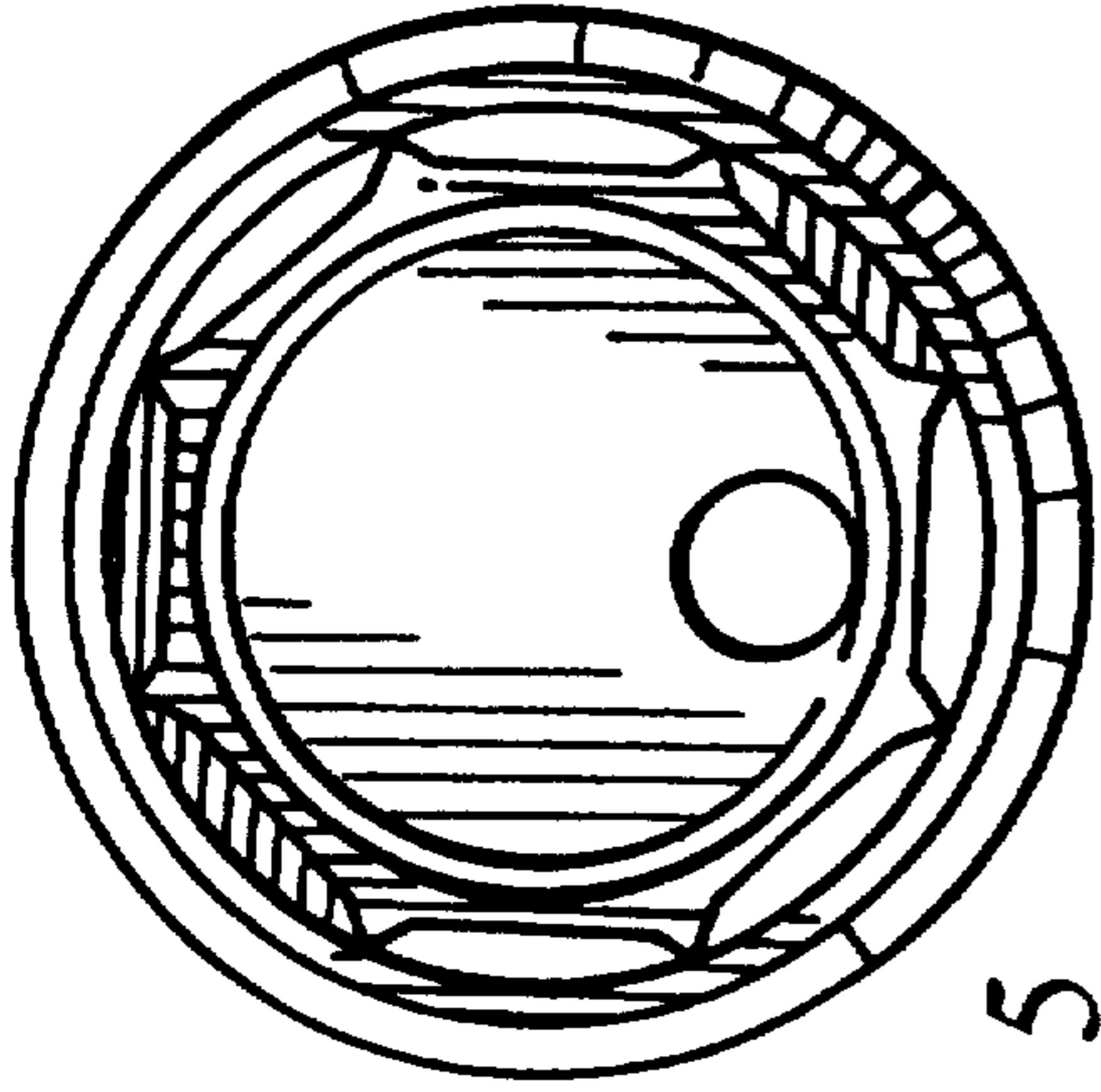


Fig. 5

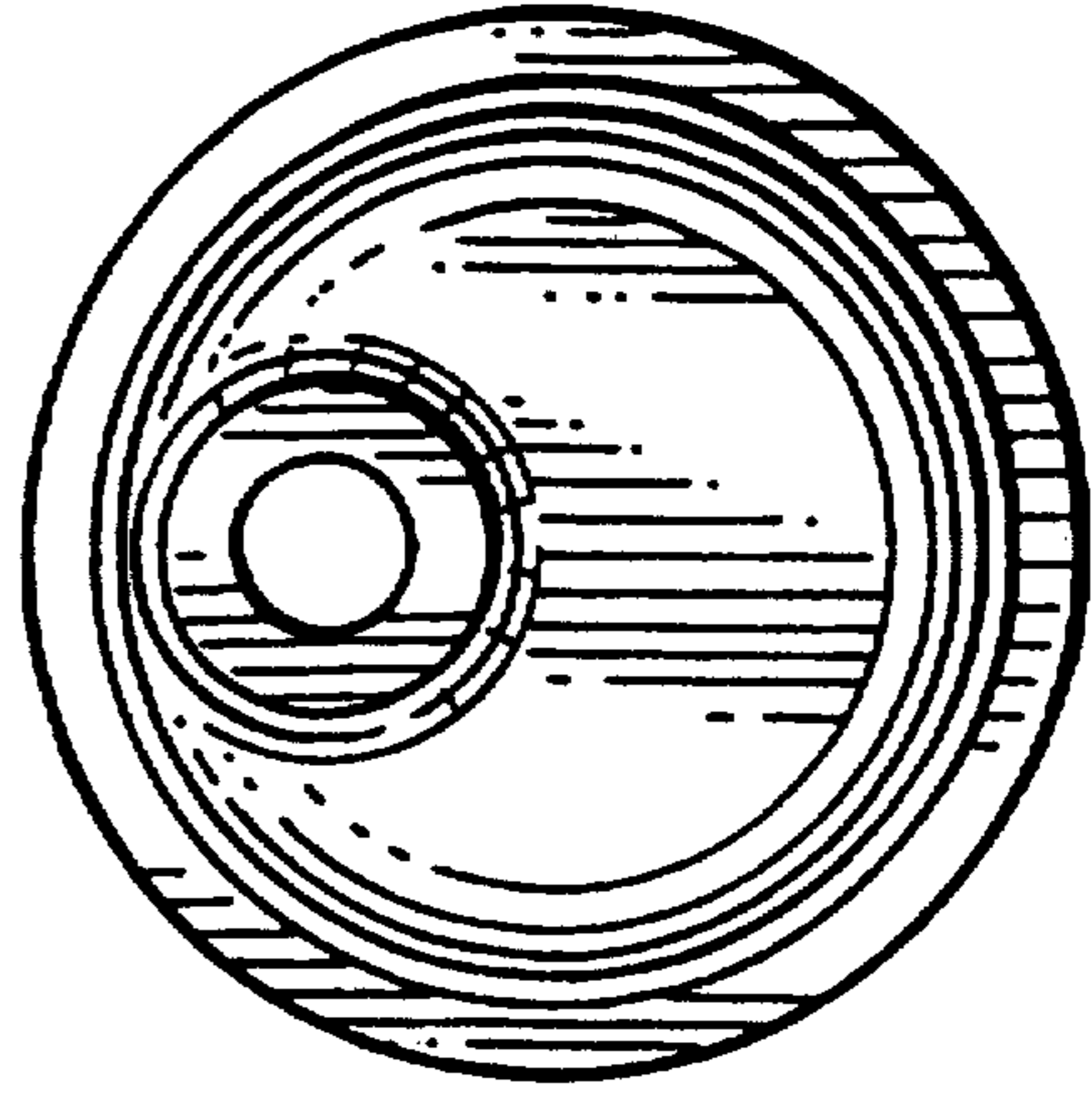


Fig. 6

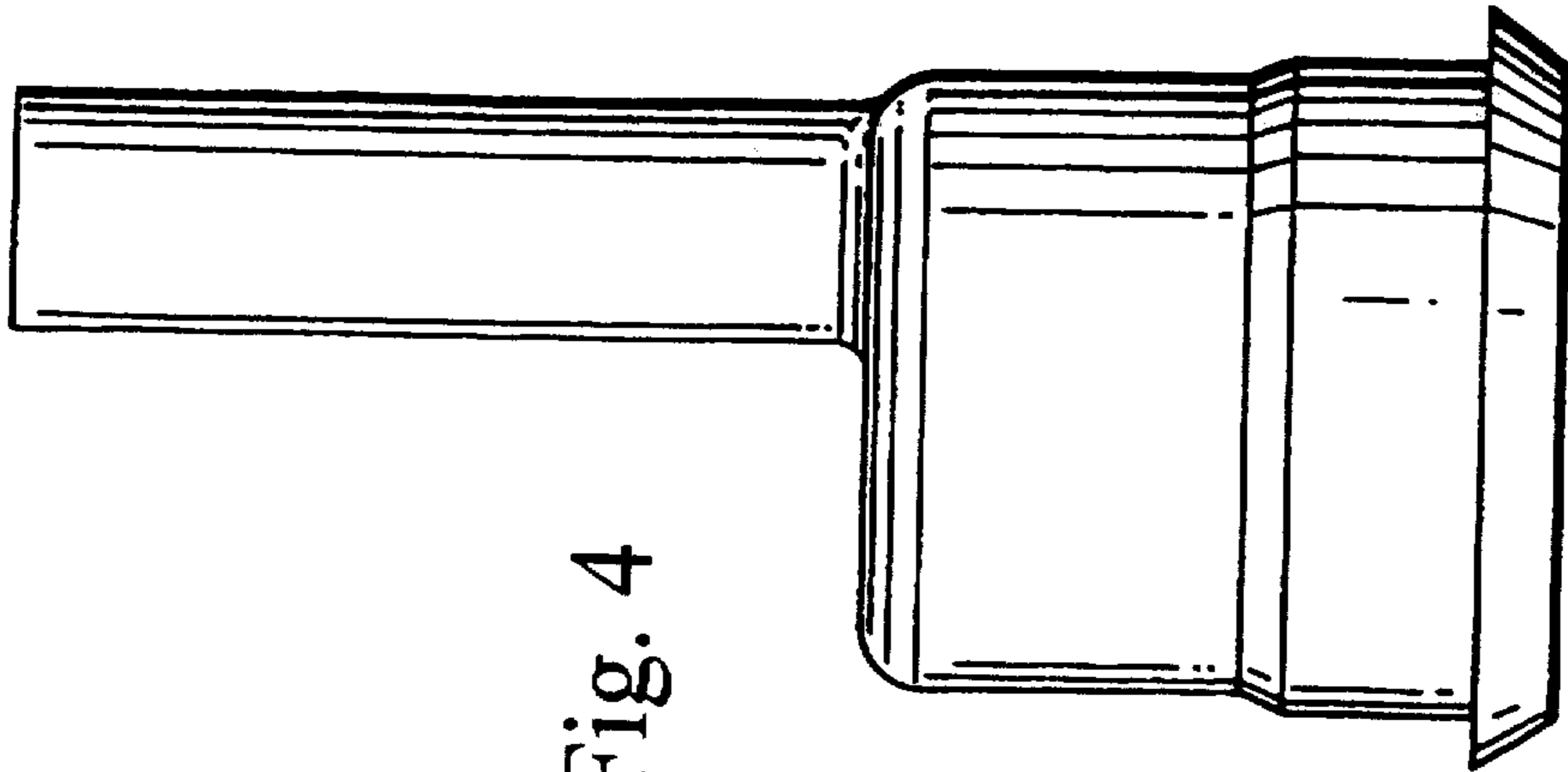


Fig. 4

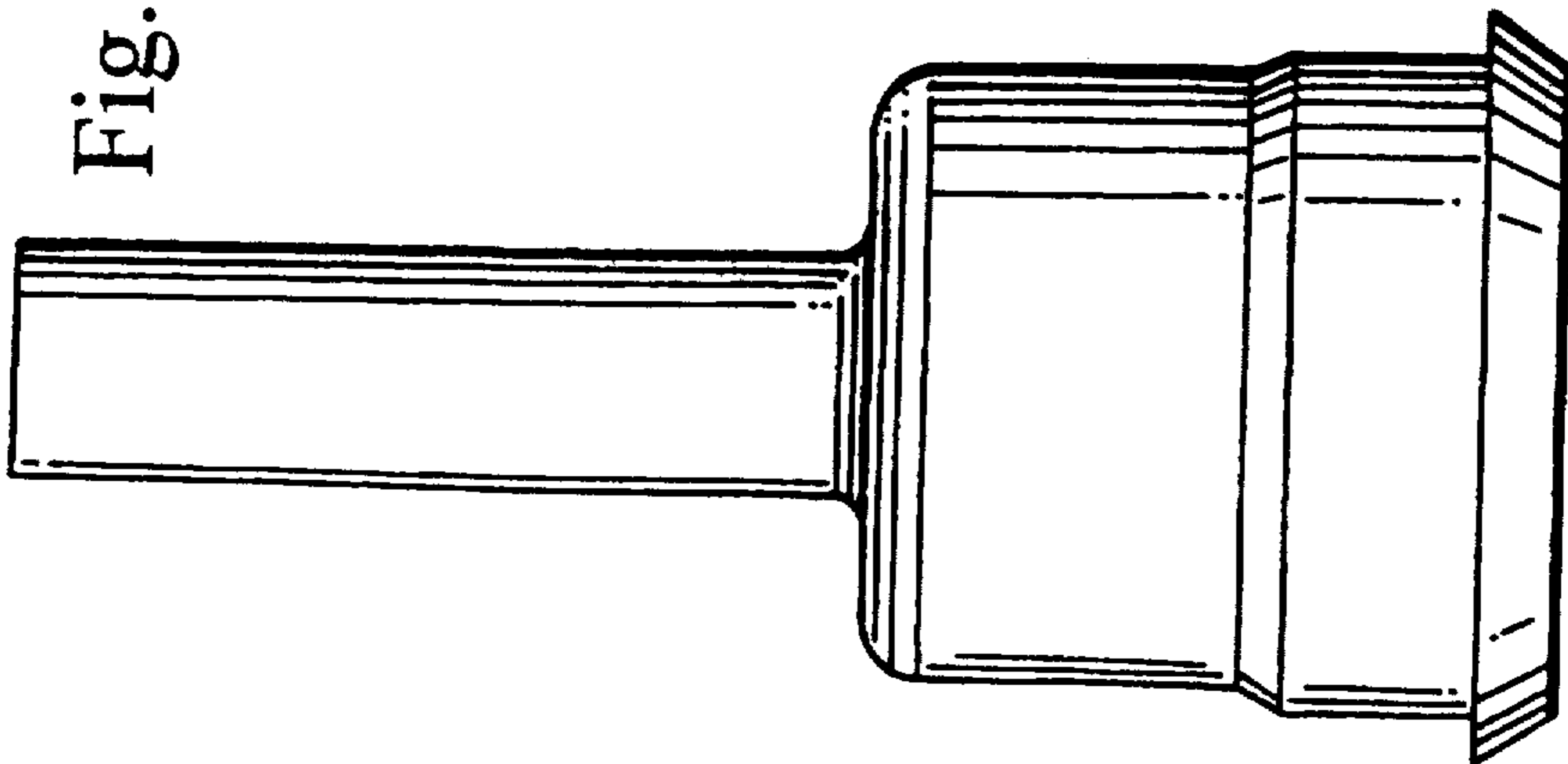


Fig. 3



Fig. 7

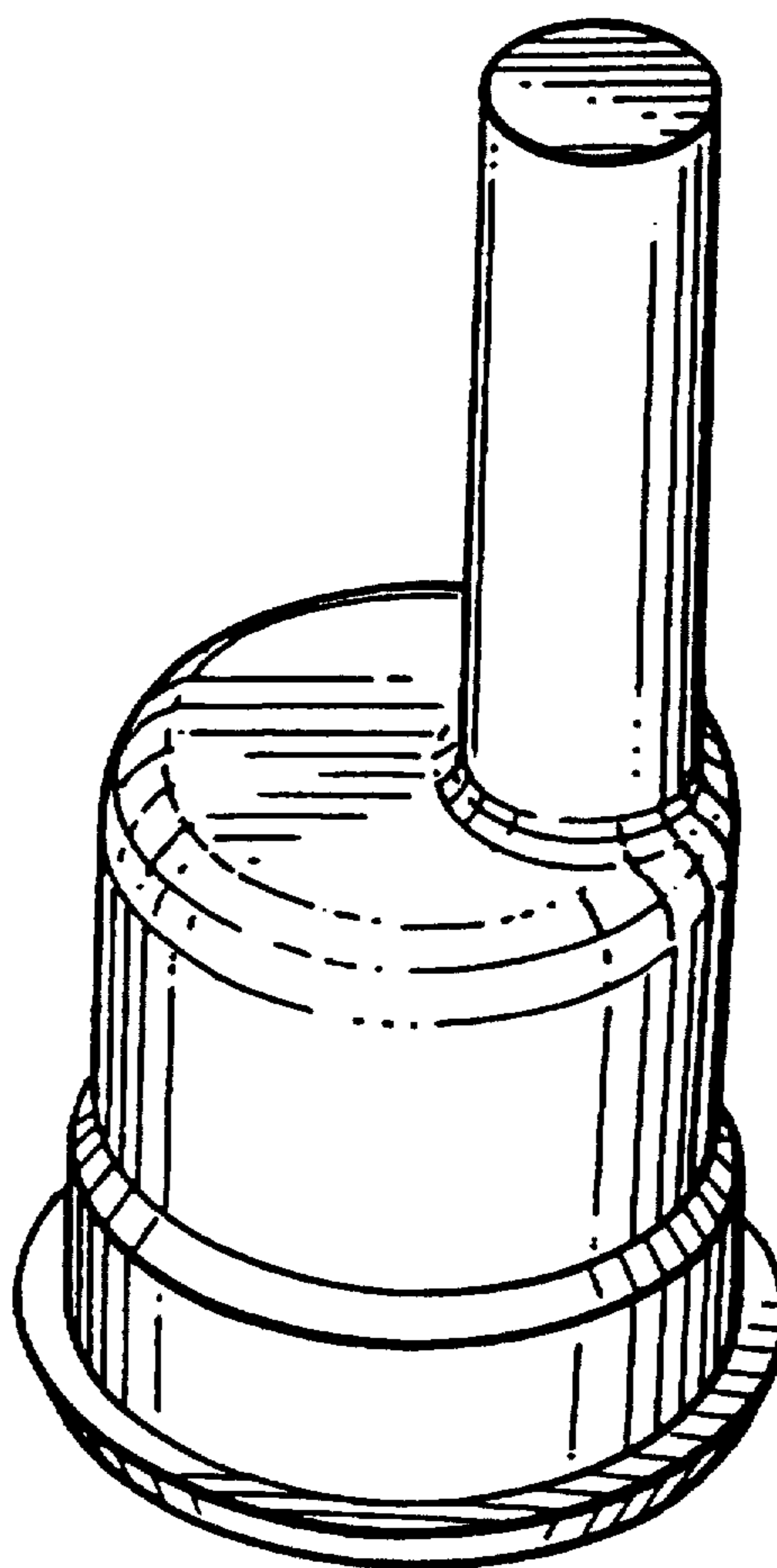
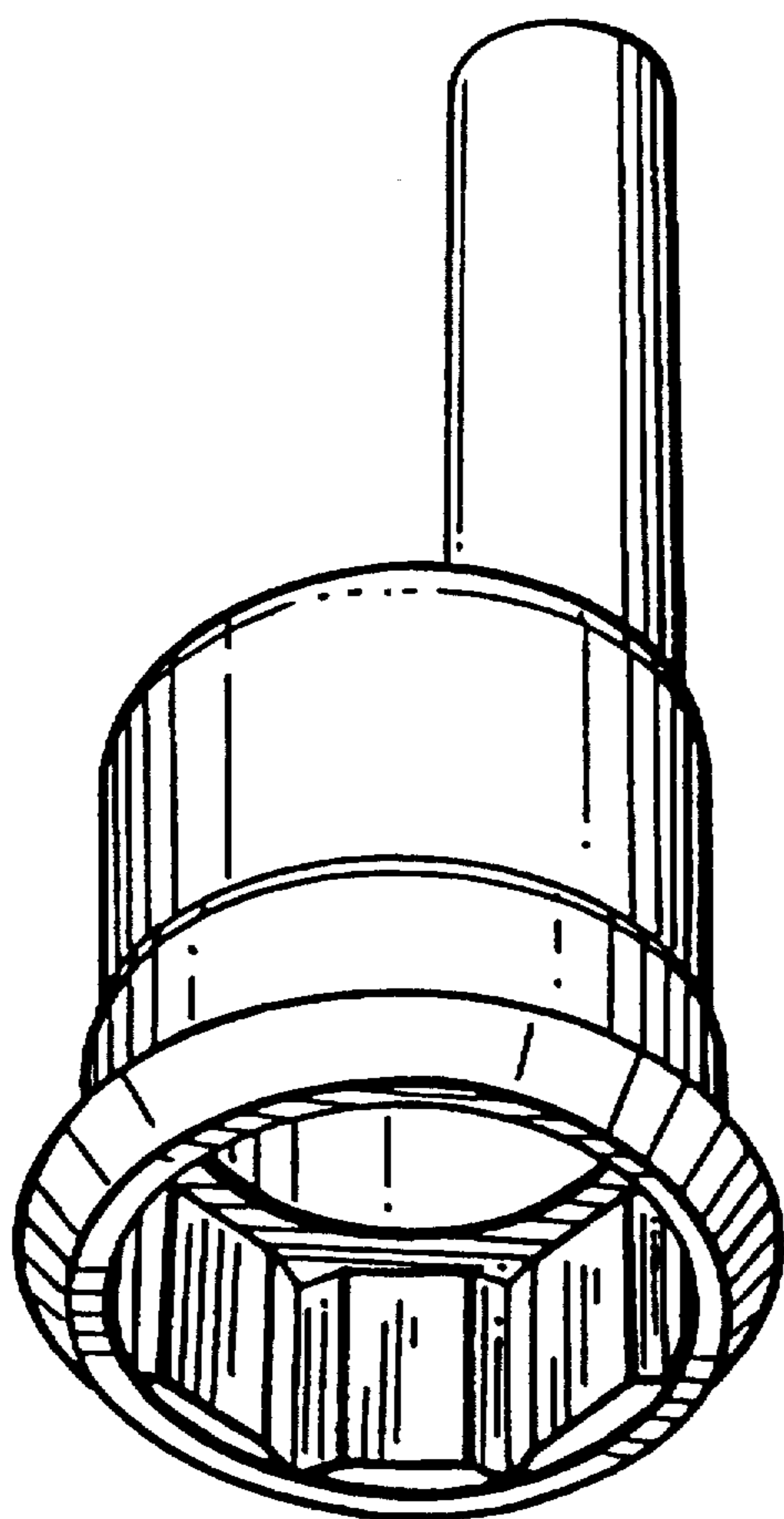


Fig. 8



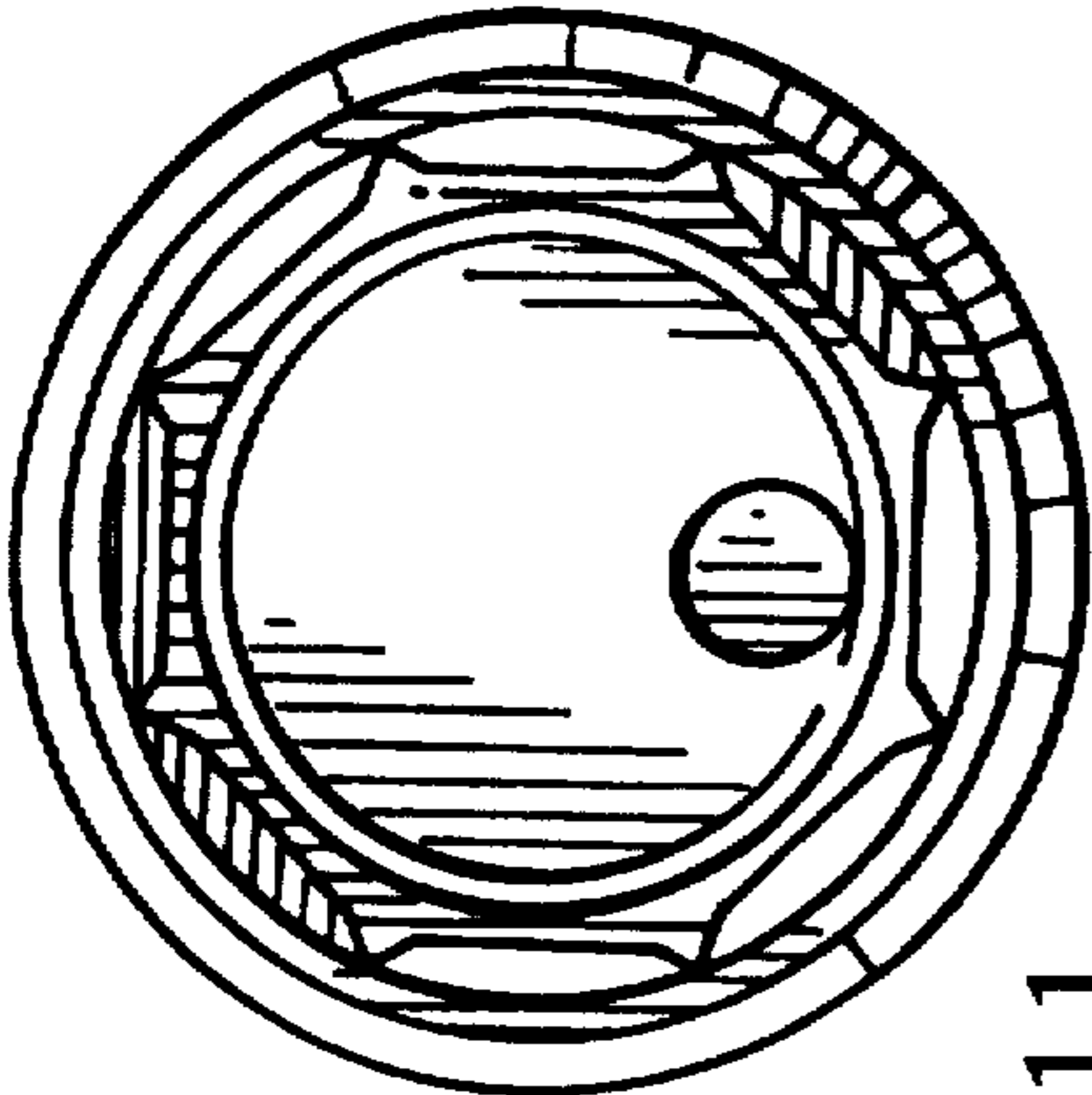


Fig. 11

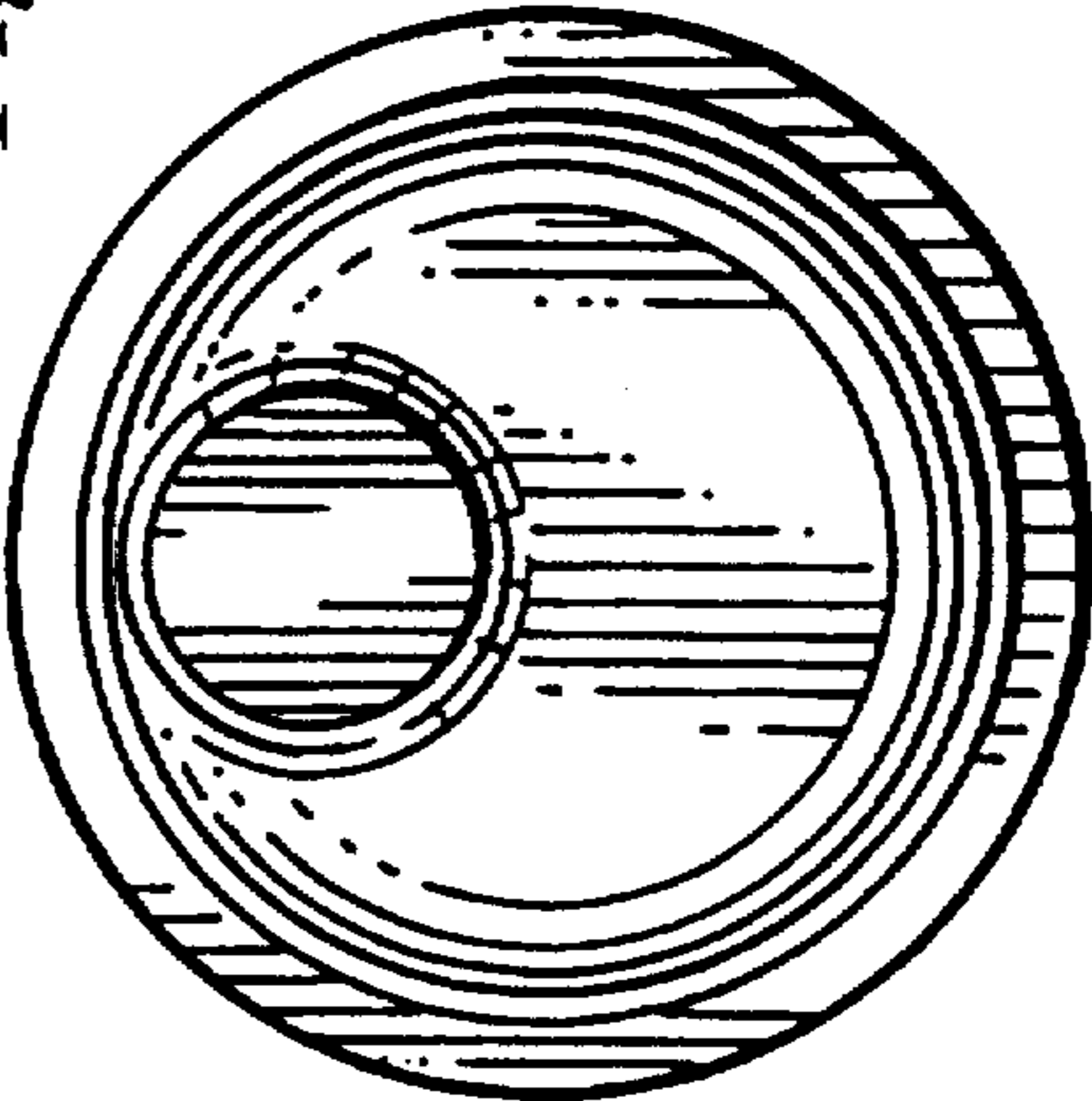


Fig. 12

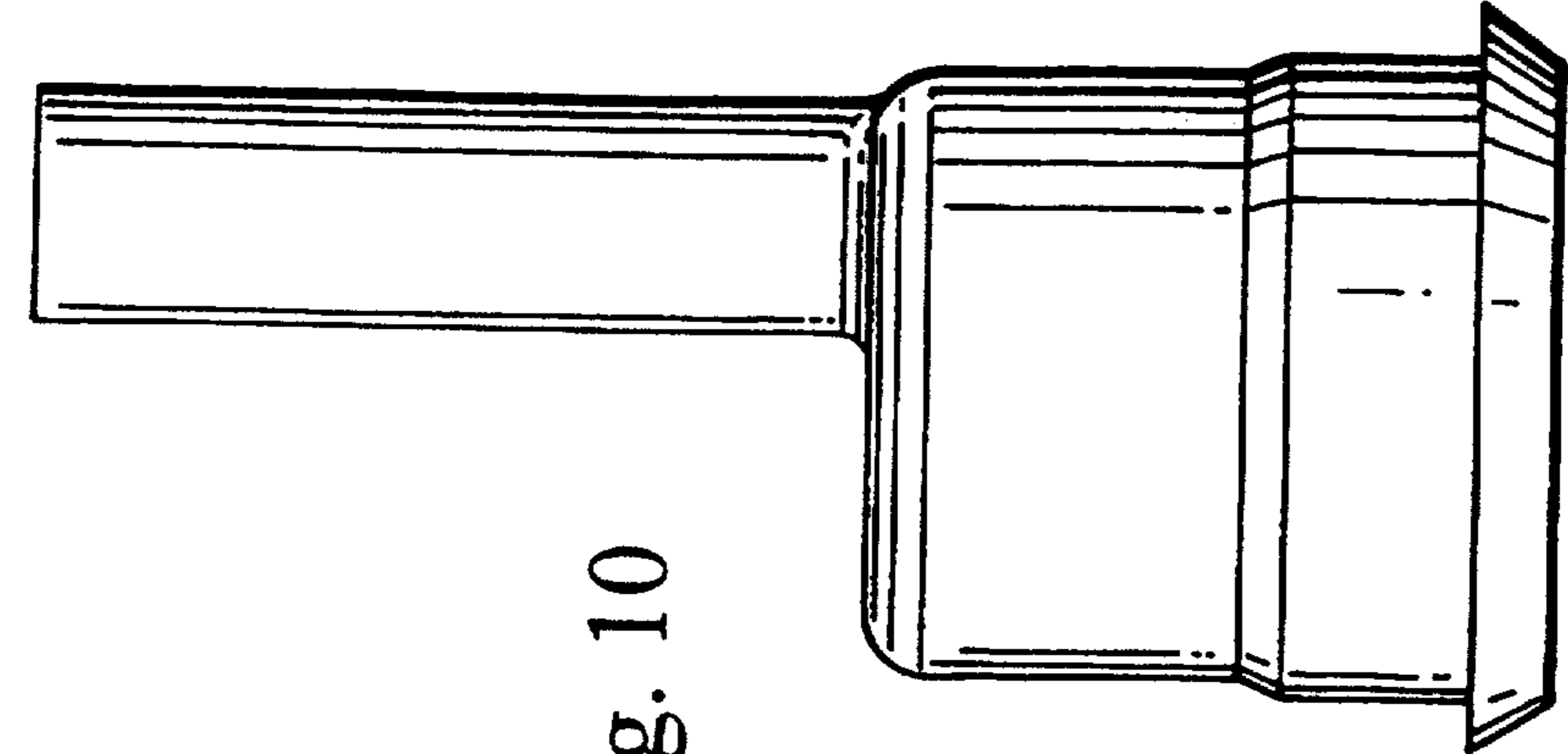


Fig. 10

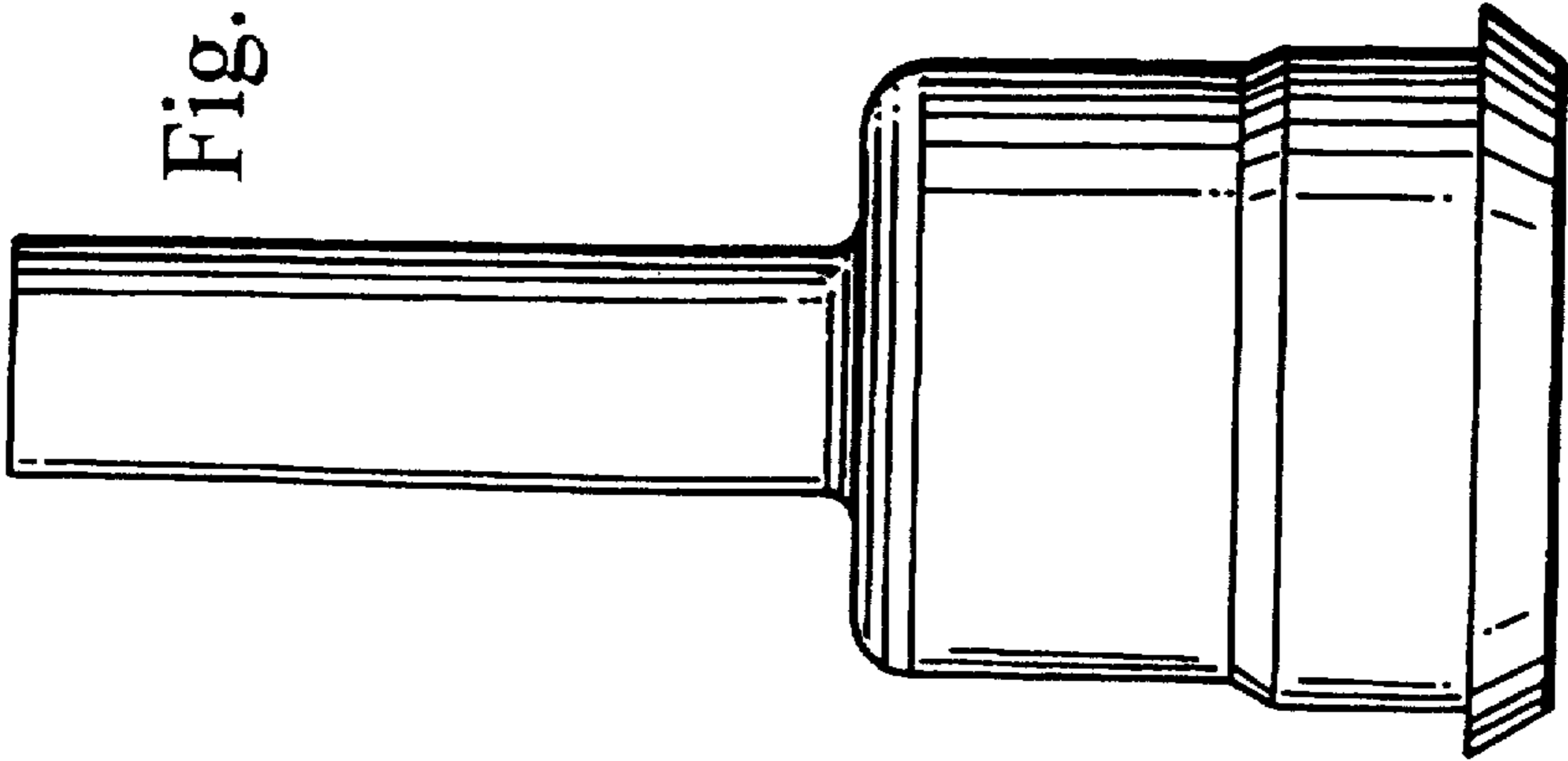


Fig. 9

Fig. 13

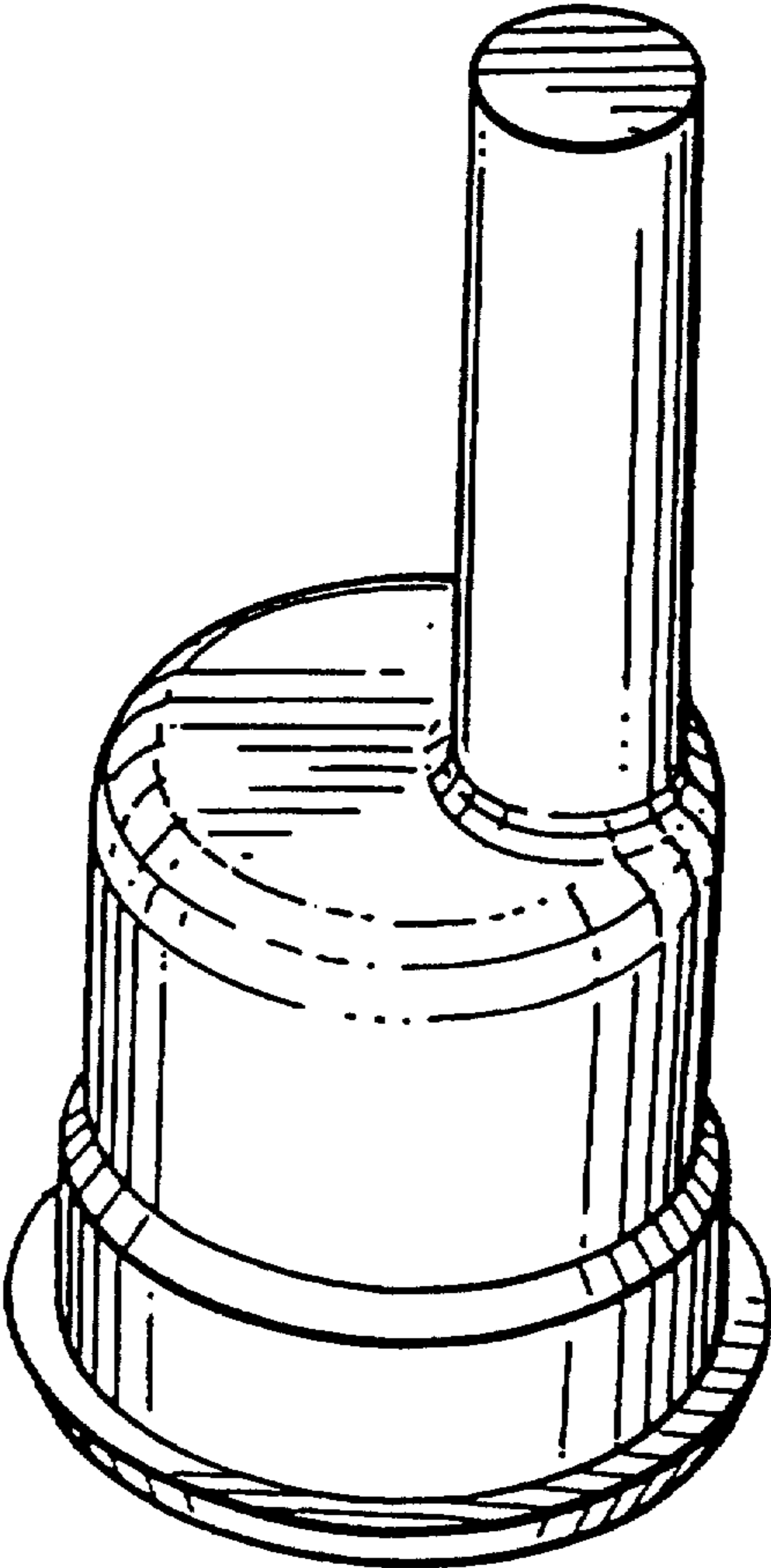
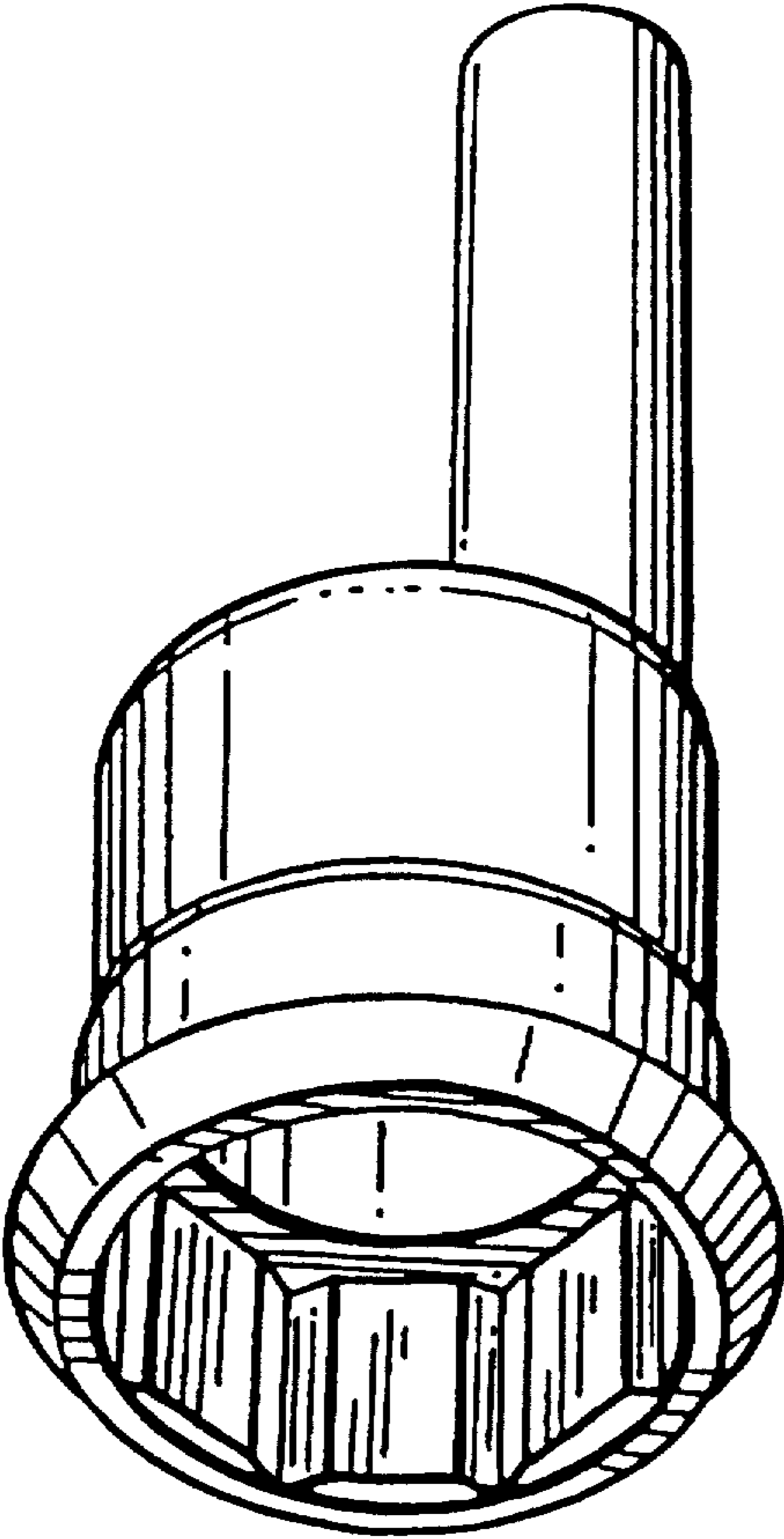


Fig. 14



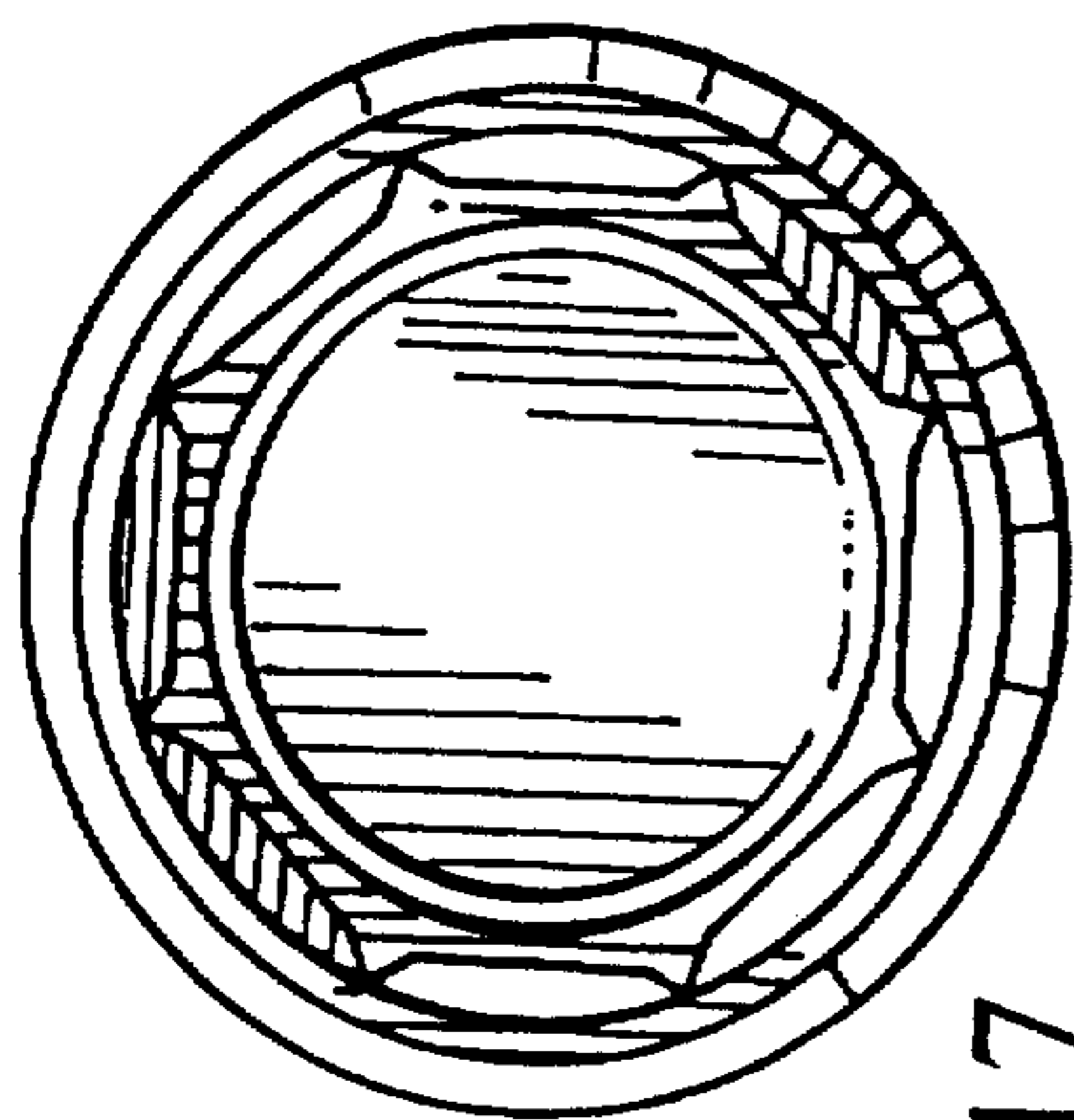


Fig. 17

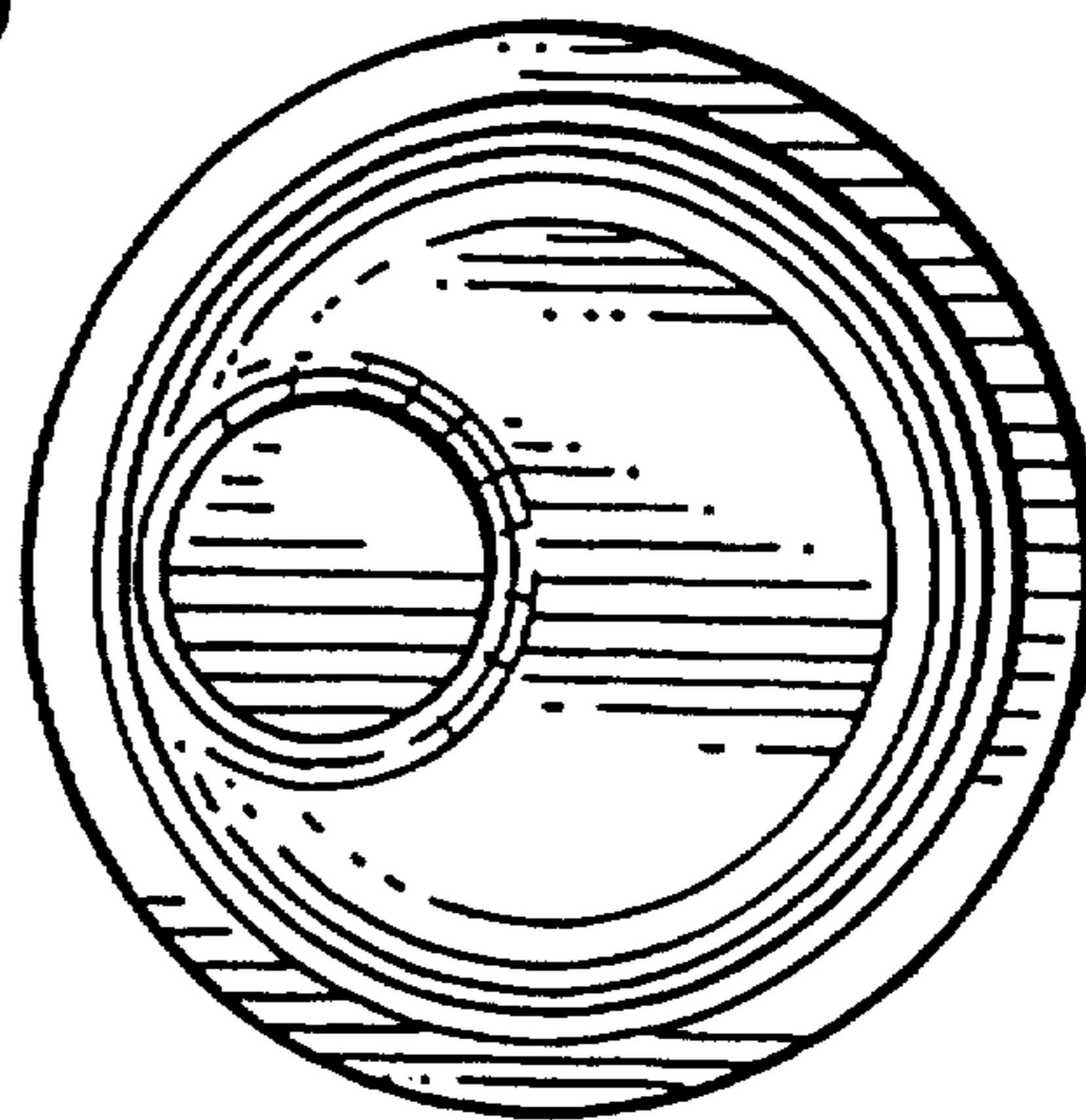


Fig. 18

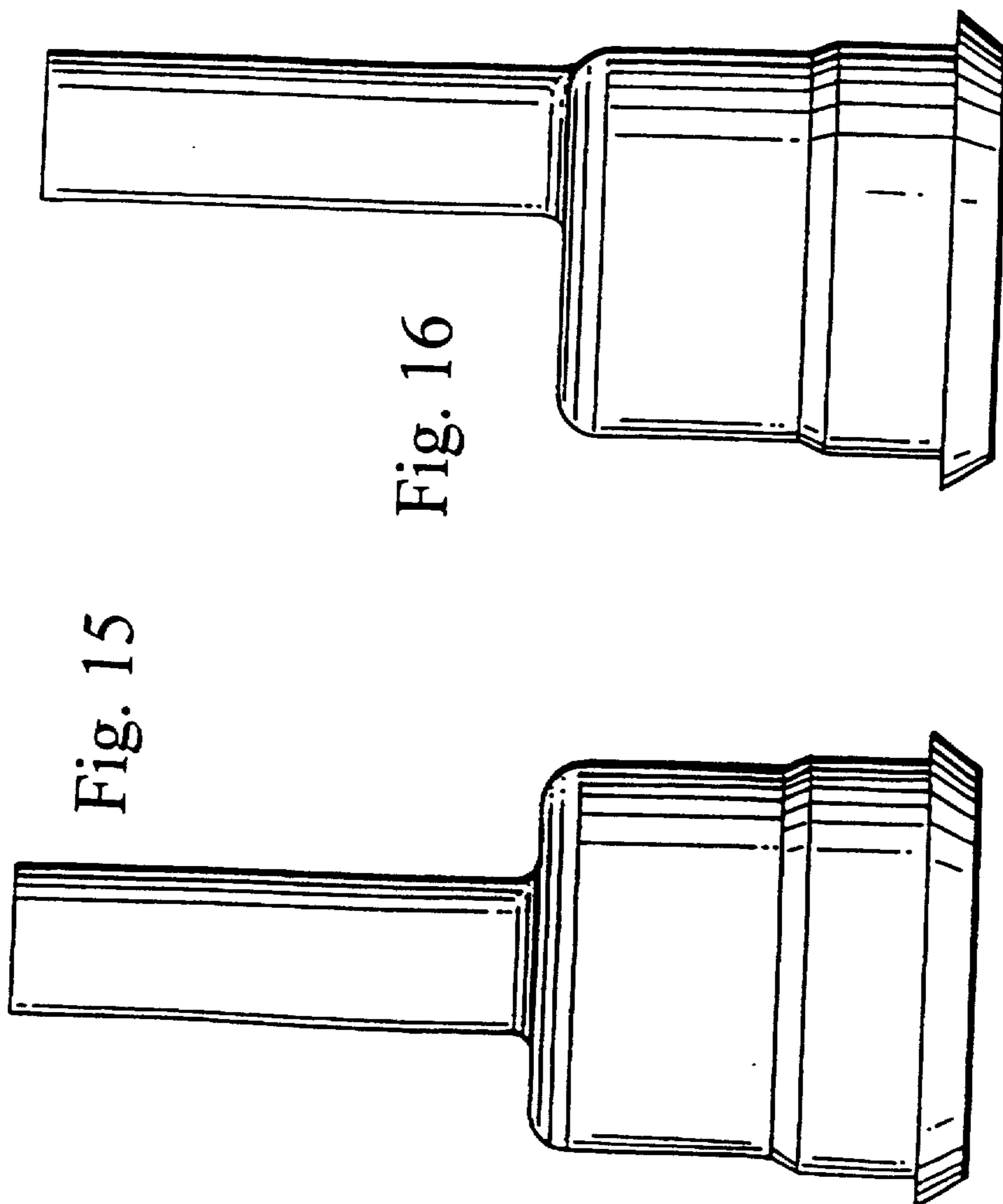


Fig. 15

Fig. 16



Fig. 19

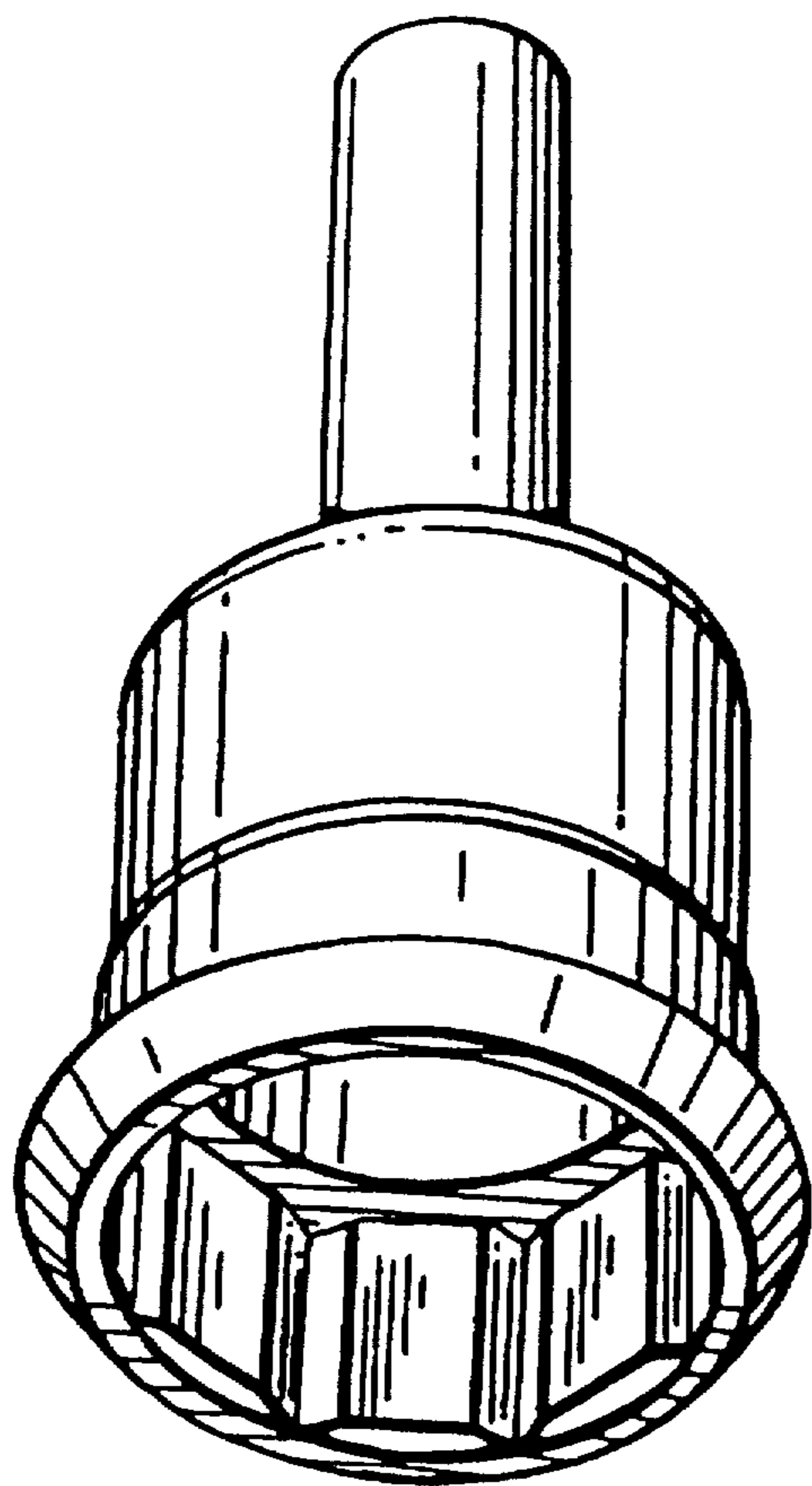
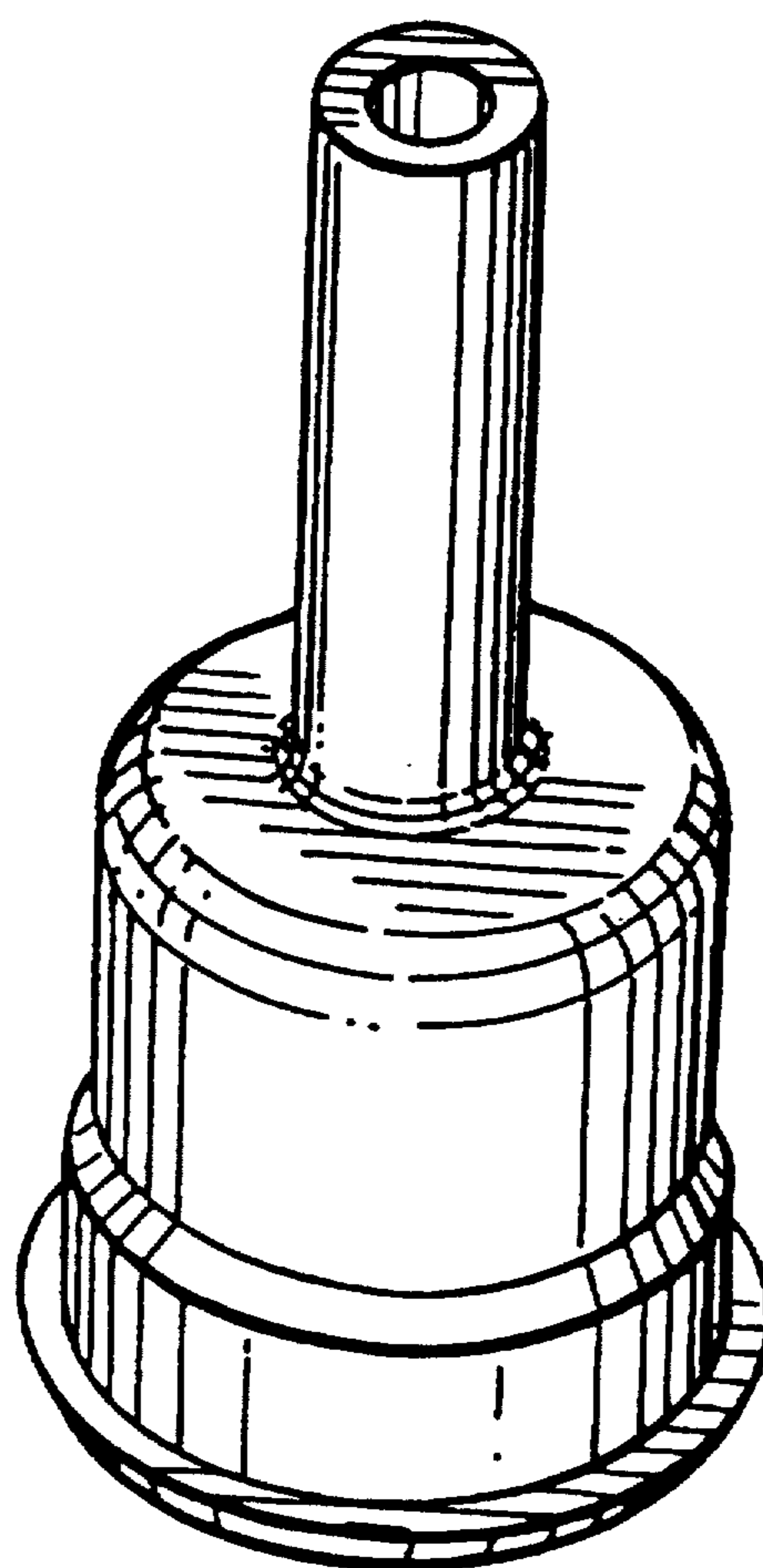


Fig. 20

Fig. 21

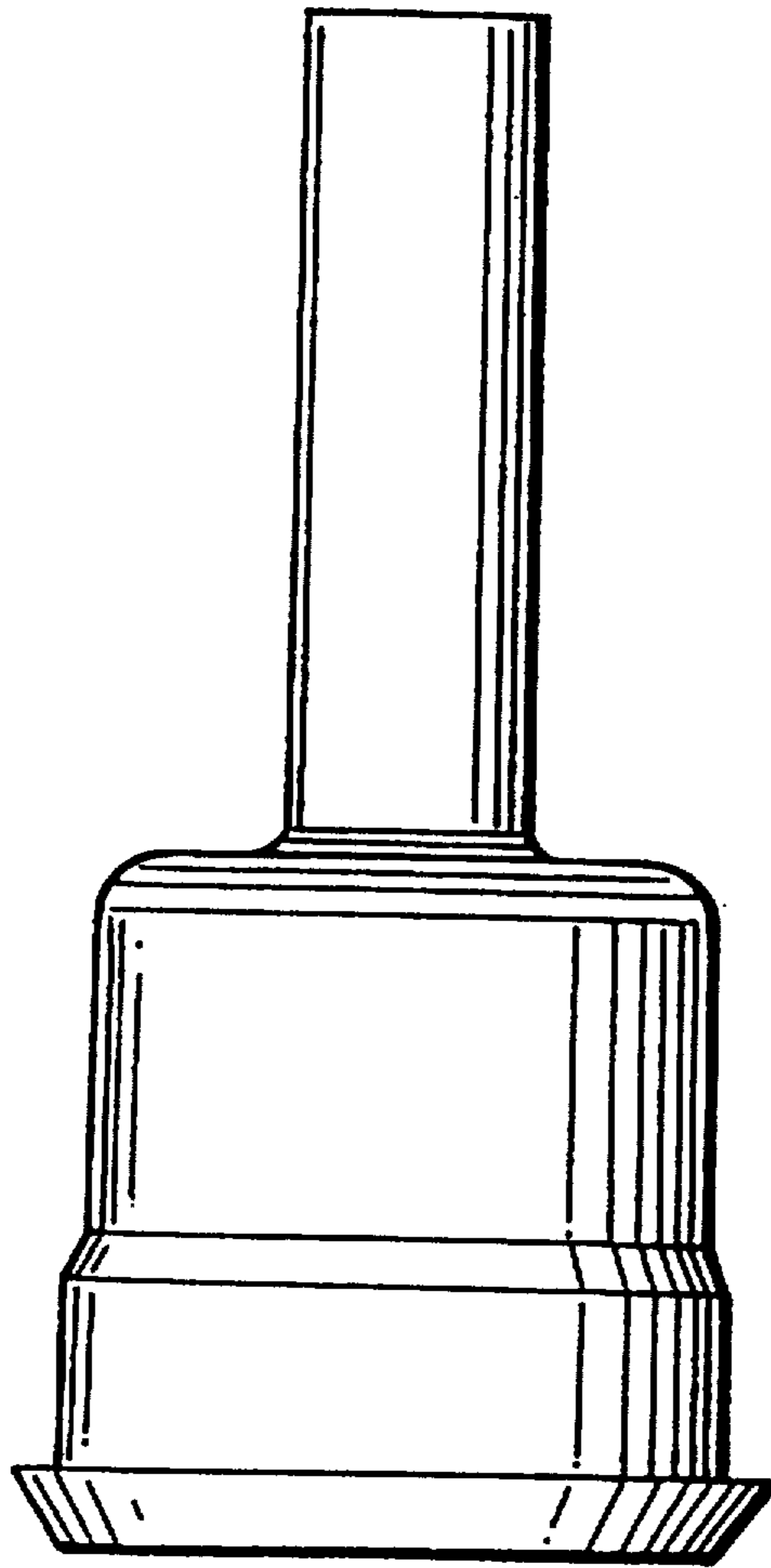


Fig. 22

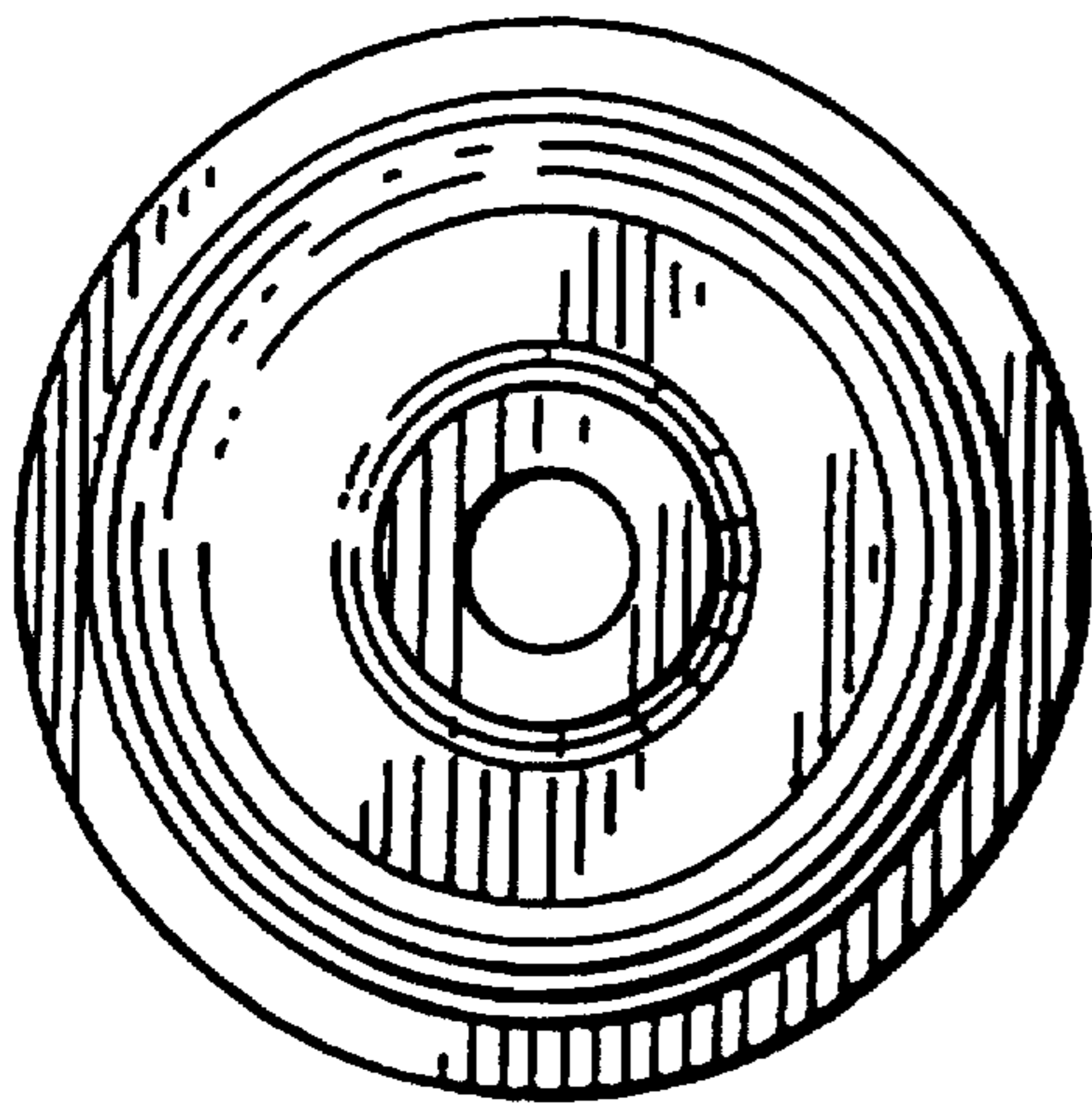


Fig. 23

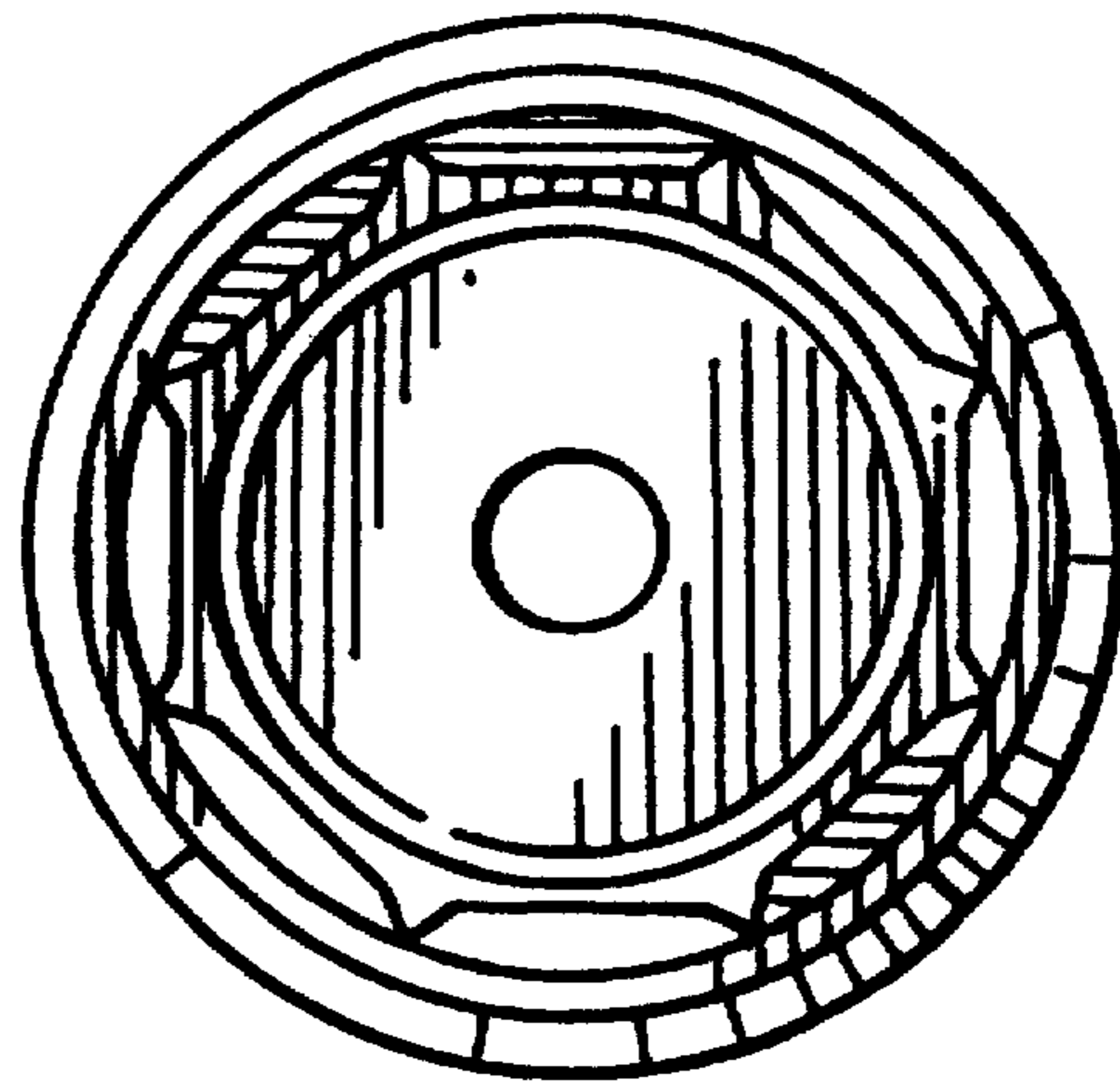


Fig. 24

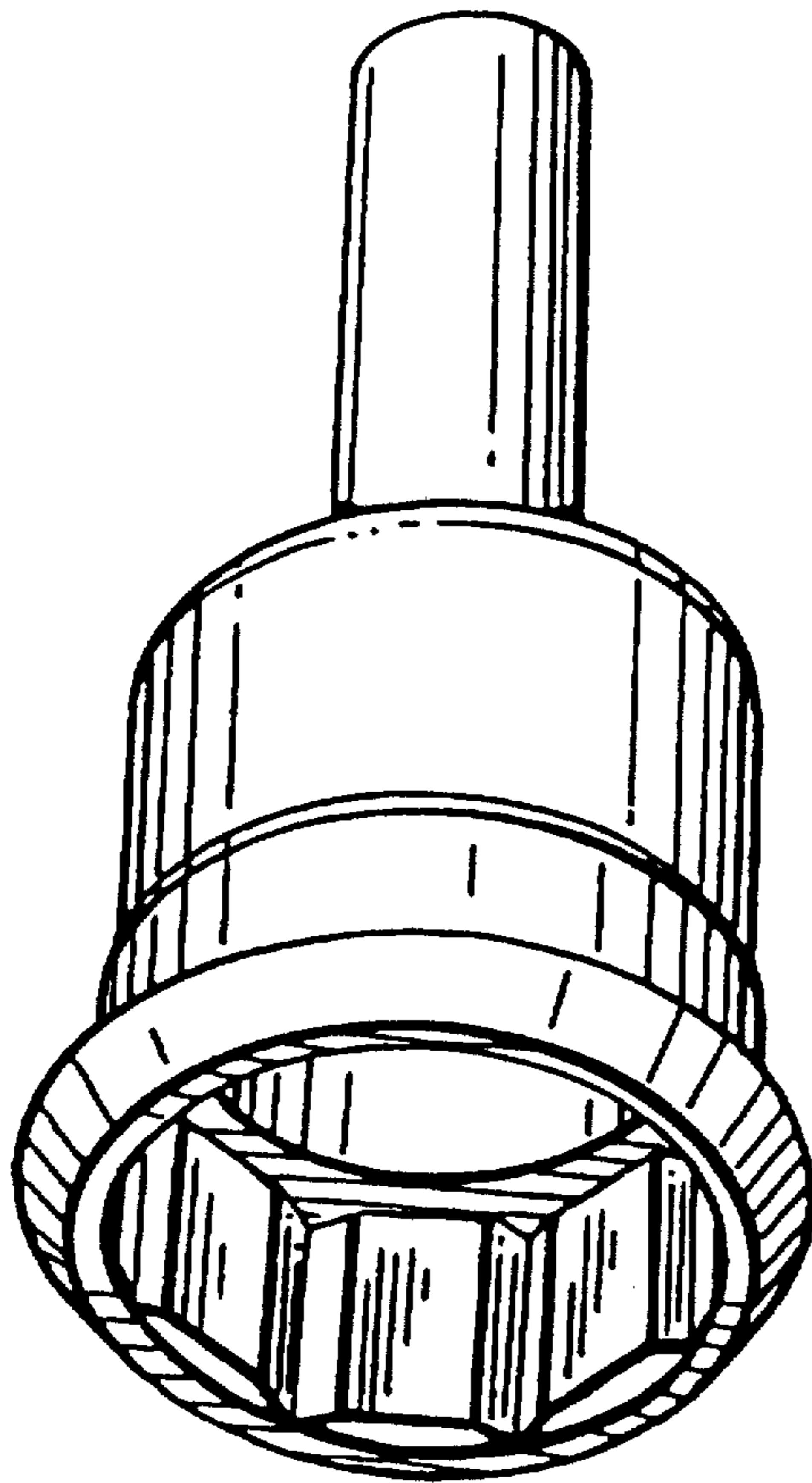
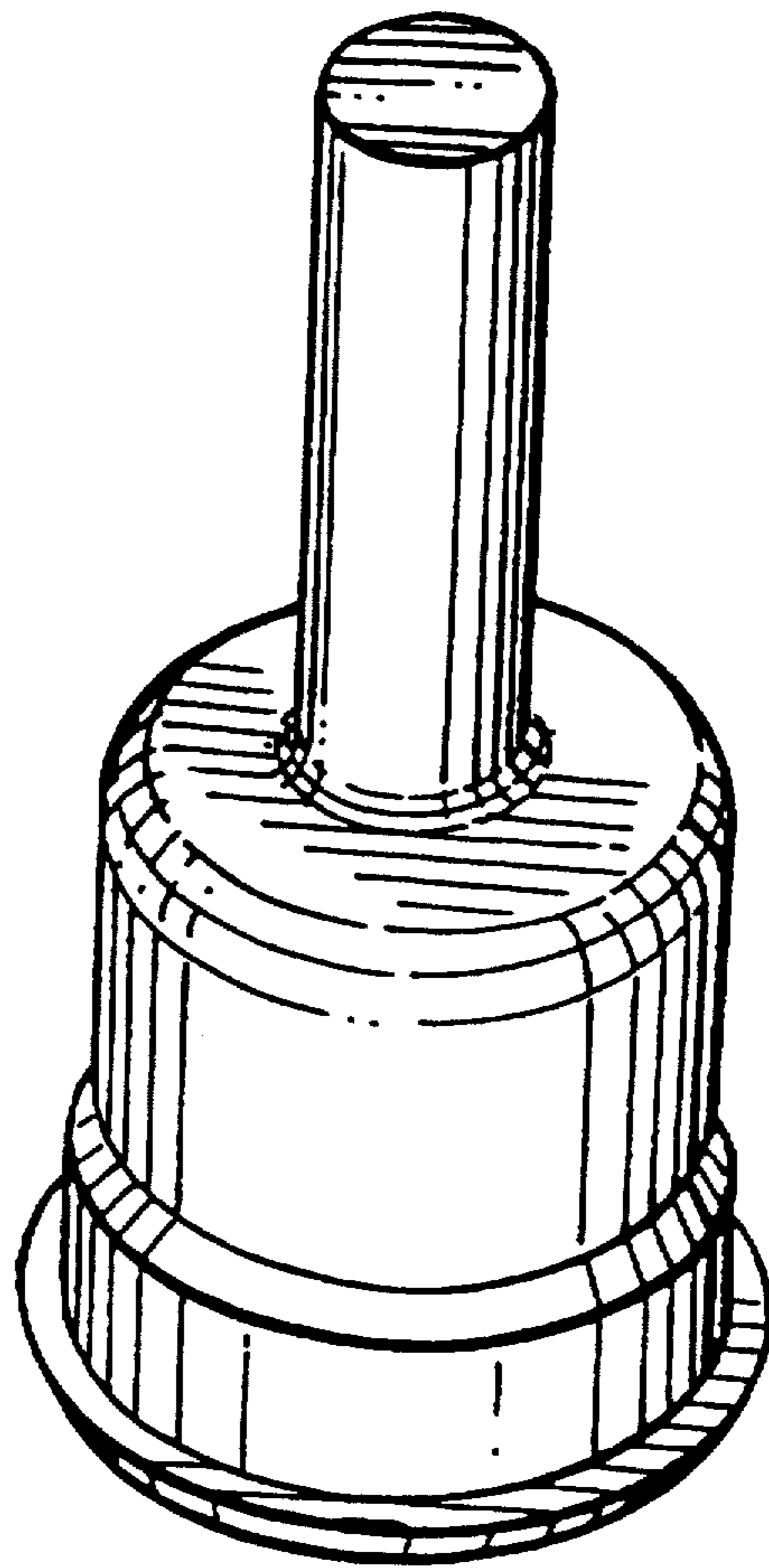


Fig. 25

Fig. 26

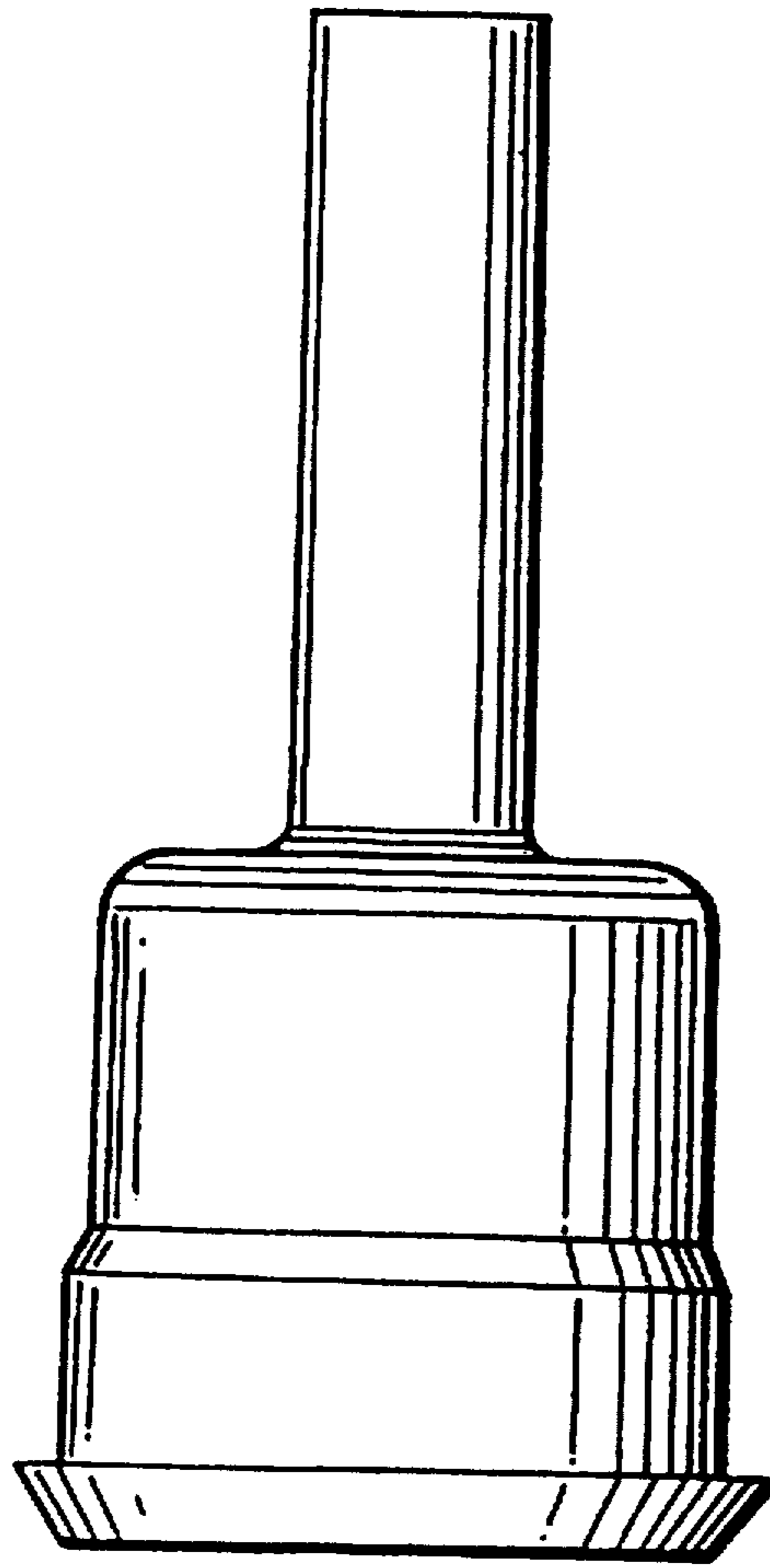


Fig. 27

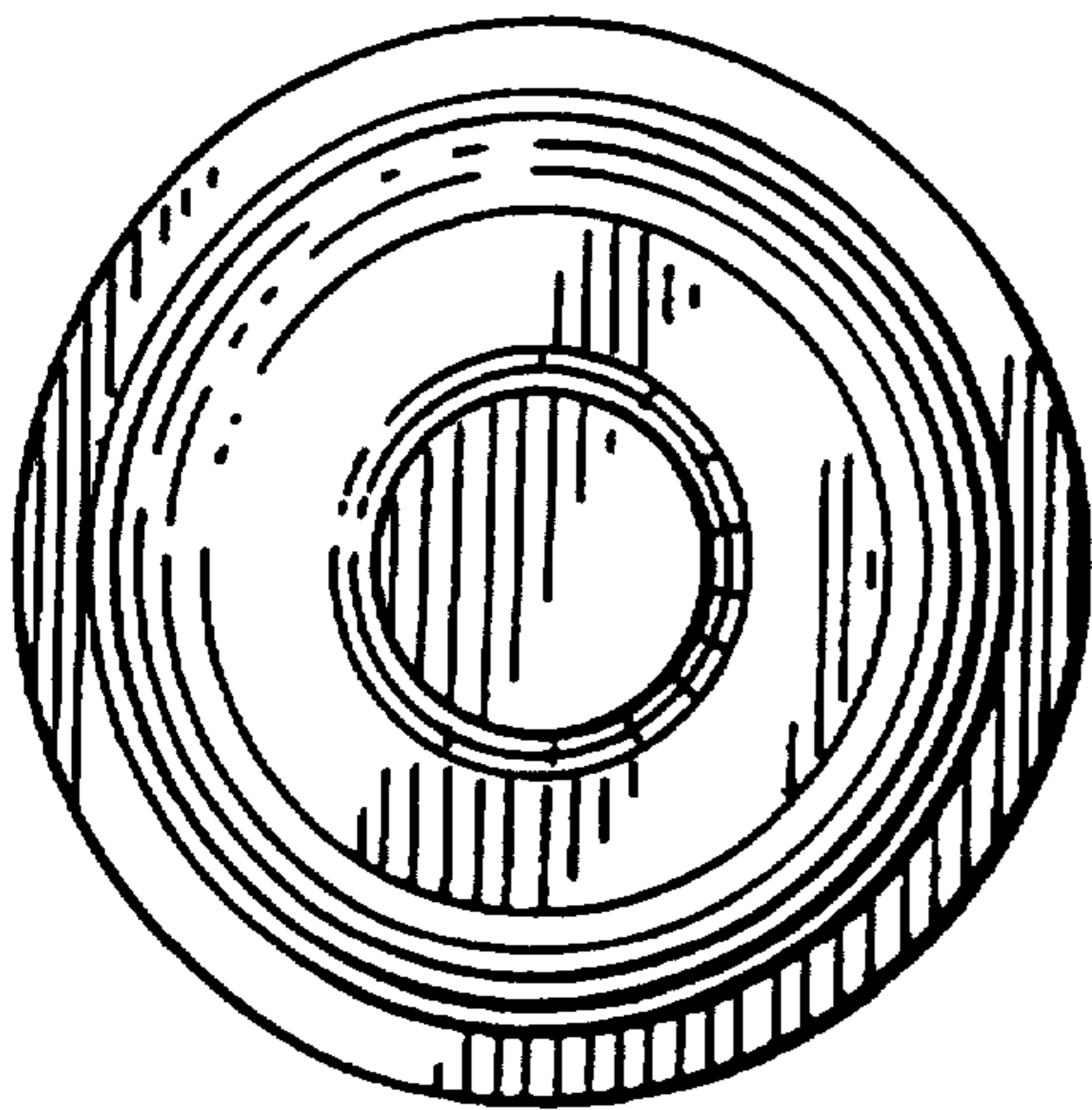


Fig. 28

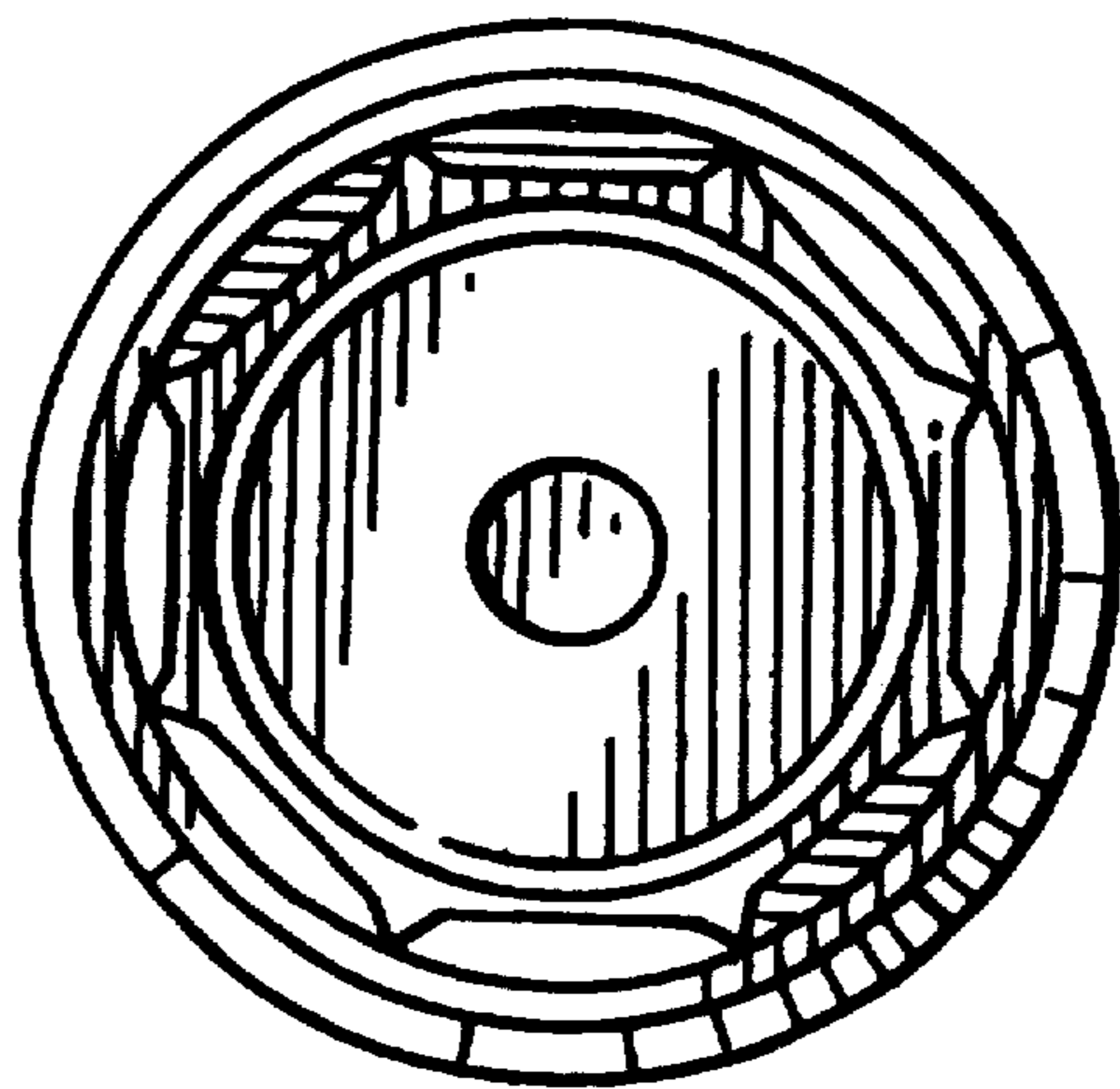


Fig. 29

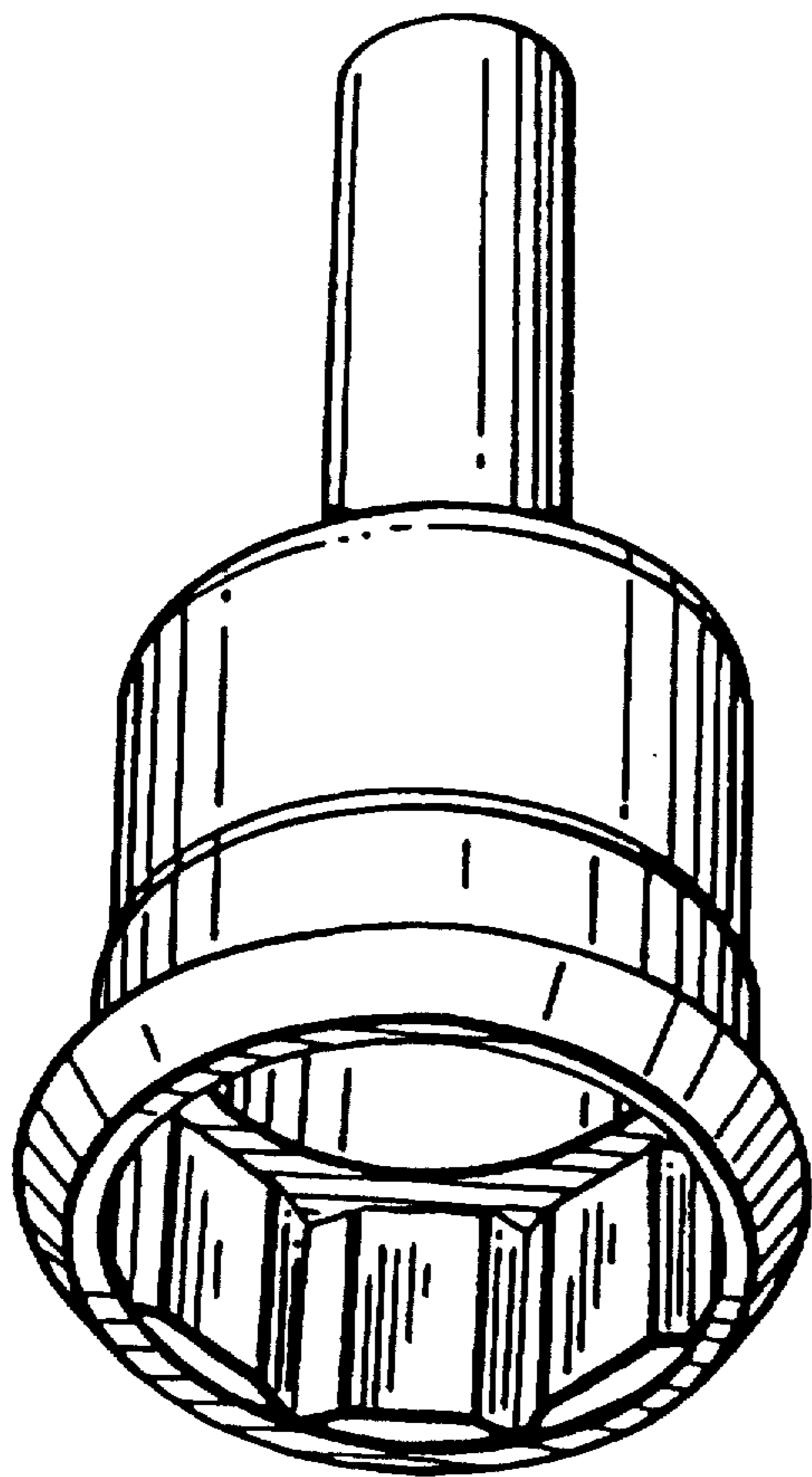
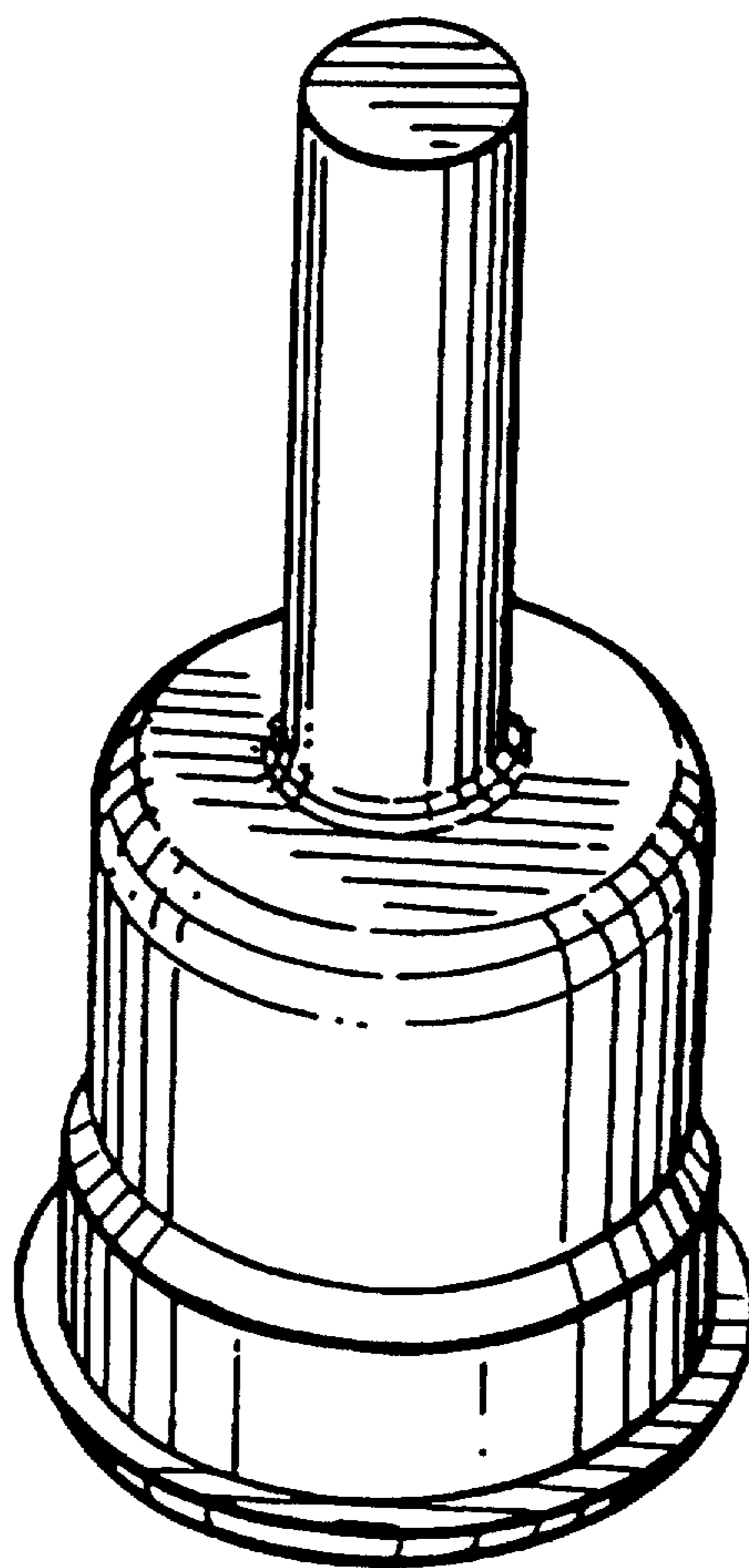


Fig. 30



Fig. 31

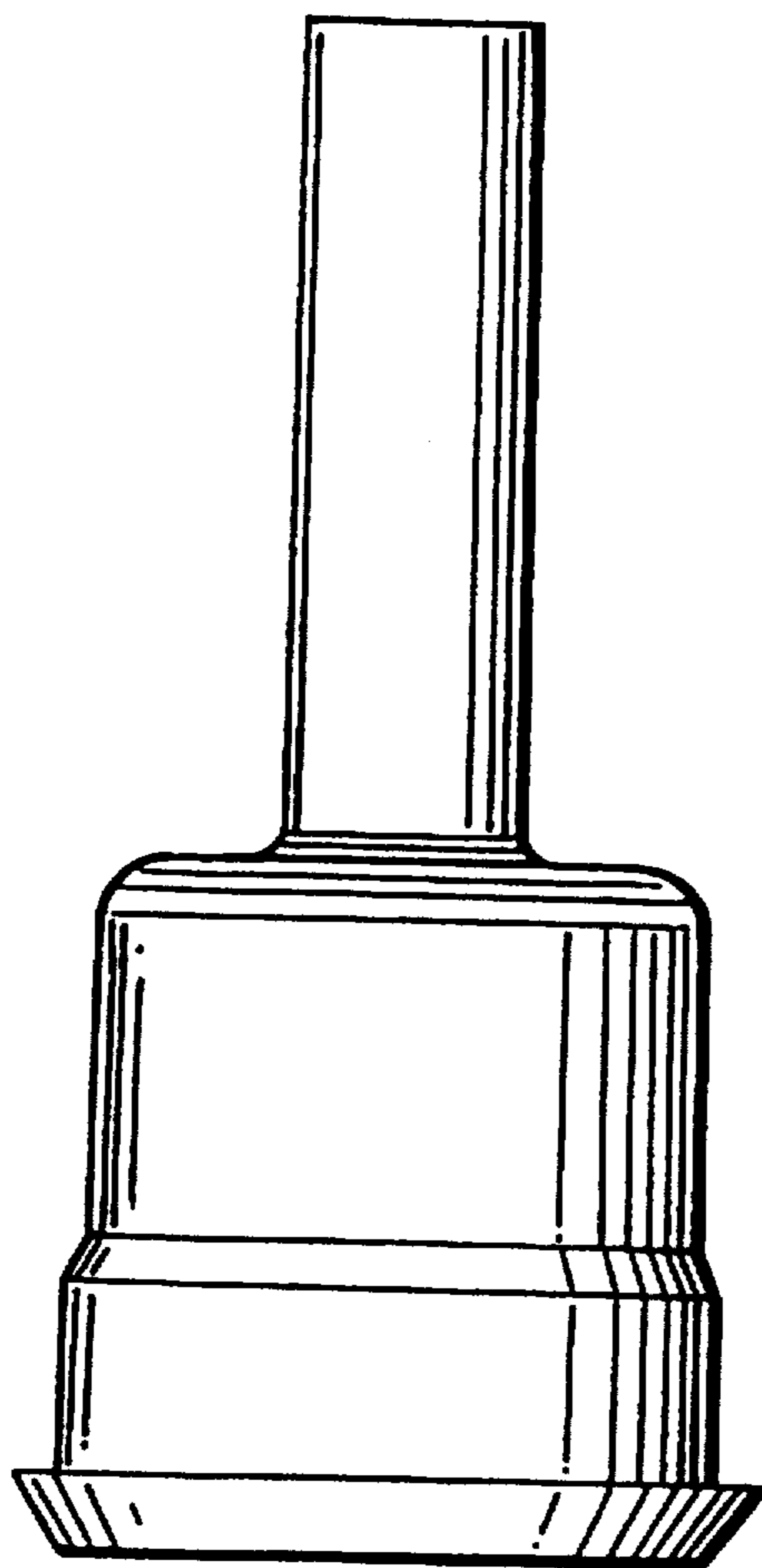


Fig. 32

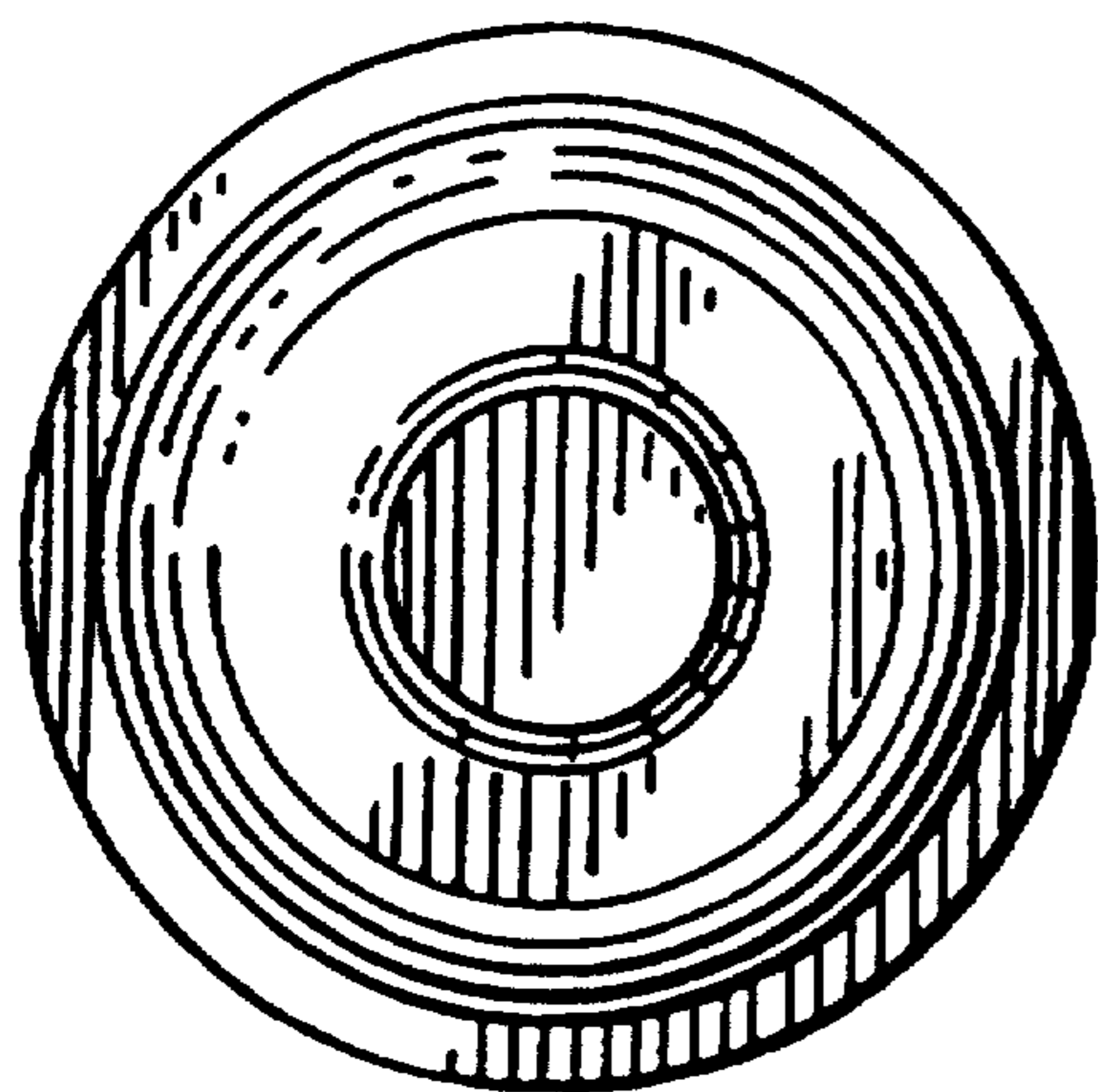


Fig. 33

