



US00D430298S

United States Patent [19]
Holms

[11] **Patent Number: Des. 430,298**

[45] **Date of Patent: ** Aug. 29, 2000**

[54] **DENTAL INSTRUMENT**

5,030,091 7/1991 Svanberg 433/143
5,816,806 10/1998 Herbst et al. 433/141

[76] Inventor: **Allan G. Holms**, 1314 S. Grand
#2-112, Spokane, Wash. 98202

[**] Term: **14 Years**

Primary Examiner—Antoine Duval Davis
Attorney, Agent, or Firm—Stratton Ballew PLLC

[21] Appl. No.: **29/109,103**

[57] **CLAIM**

[22] Filed: **Aug. 10, 1999**

The ornamental design for a dental instrument, as shown and described.

Related U.S. Application Data

DESCRIPTION

[62] Division of application No. 09/048,965, Mar. 26, 1998.

[51] **LOC (7) Cl.** **24-02**

FIG. 1 is a perspective view of the dental instrument;

[52] **U.S. Cl.** **D24/152**

FIG. 2 is an end view thereof of line 2—2 of FIG. 3;

[58] **Field of Search** D24/152; 433/141,
433/143; 132/321, 329

FIG. 3 is a side view thereof; and,

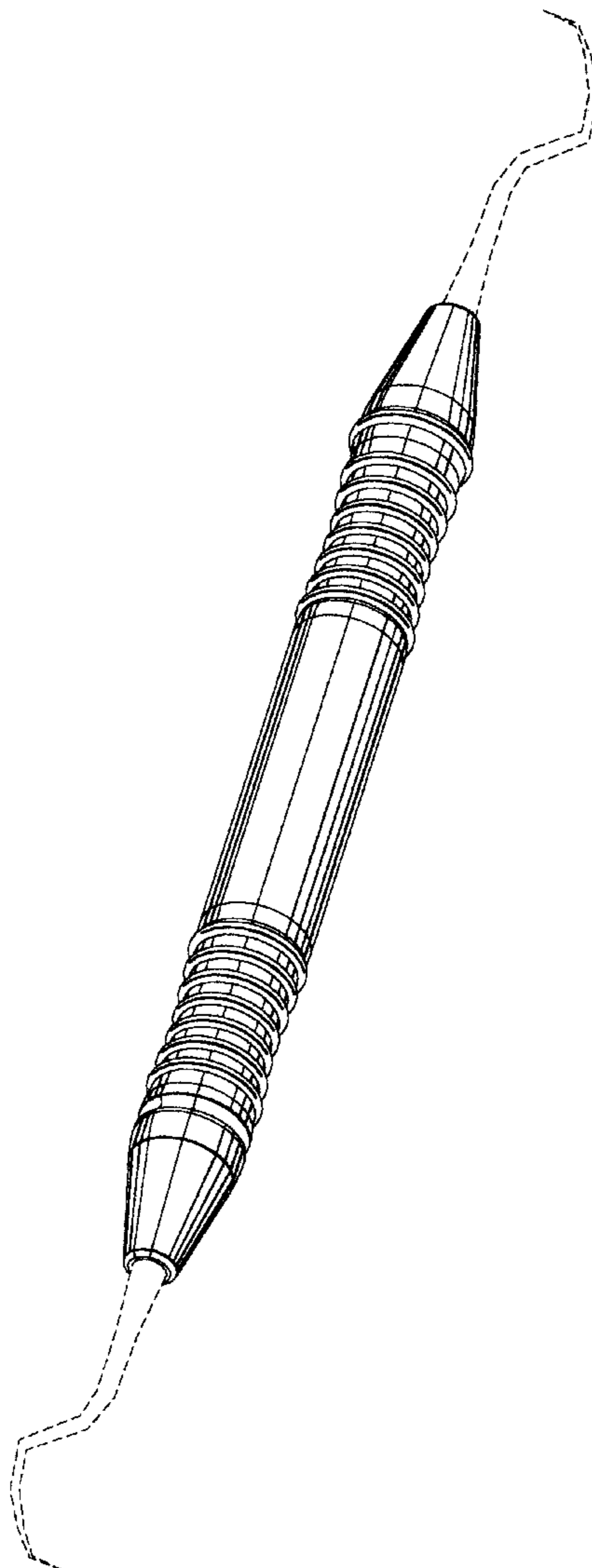
FIG. 4 is a side view thereof.

[56] **References Cited**

U.S. PATENT DOCUMENTS

1 Claim, 2 Drawing Sheets

D. 336,517 6/1993 McKeown D24/152



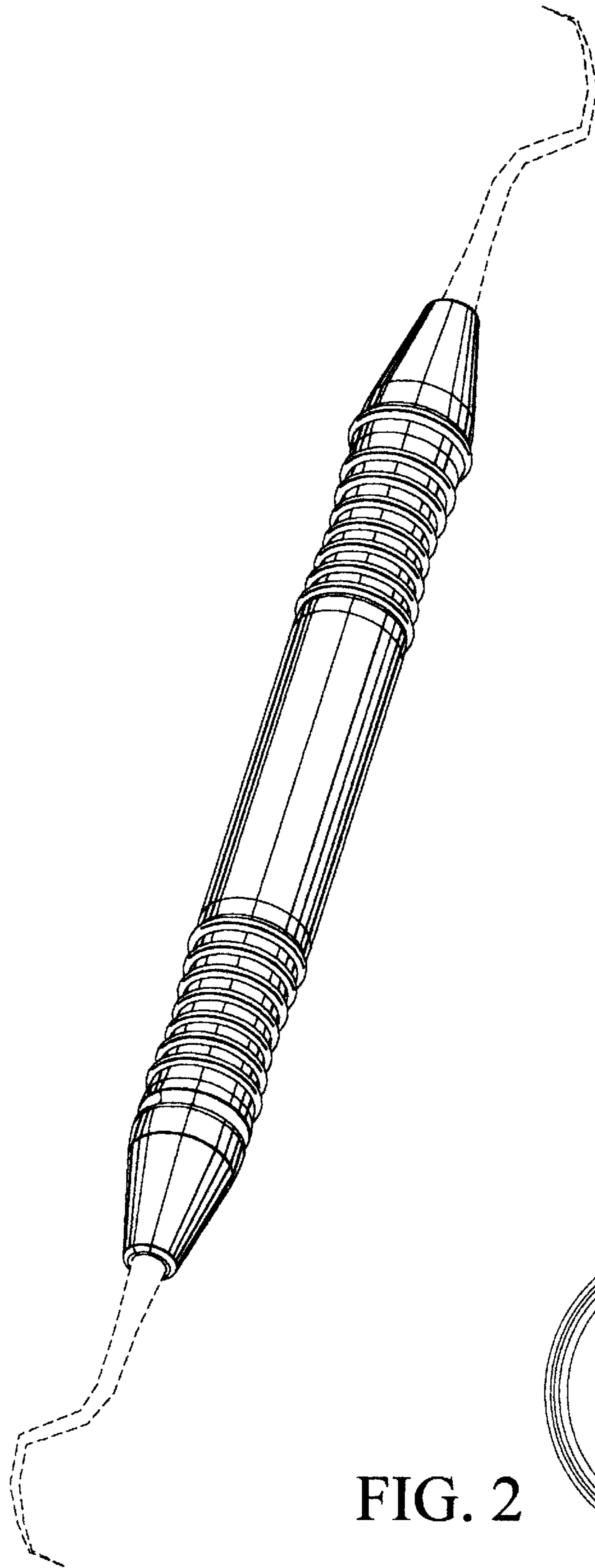


FIG. 1

FIG. 2

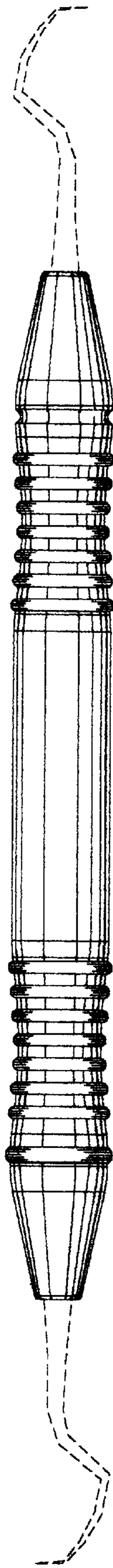


FIG. 4

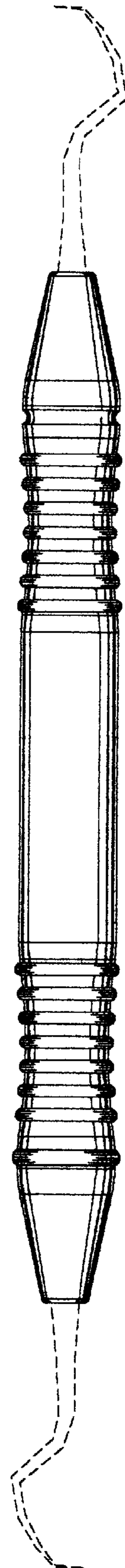


FIG. 3