



US00D430295S

# United States Patent [19] Ierulli

[11] **Patent Number: Des. 430,295**

[45] **Date of Patent: \*\* Aug. 29, 2000**

[54] **NOSTRIL DILATOR**  
[76] **Inventor: Joseph V. Ierulli, 3926 SW. Water Ave., Portland, Oreg. 97201**

5,611,333 3/1997 Johnson ..... 128/200.24  
5,718,224 2/1998 Muchin ..... 128/200.24  
5,890,486 4/1999 Mitra et al. .... 128/200.24  
5,961,537 10/1999 Gould ..... 606/204.45

[\*\*] **Term: 14 Years**

*Primary Examiner*—Ian Simmons  
*Attorney, Agent, or Firm*—Olson and Olson

[21] **Appl. No.: 29/115,383**  
[22] **Filed: Dec. 8, 1999**

### [57] CLAIM

The ornamental design for a nostril dilator, as shown and described.

### Related U.S. Application Data

### DESCRIPTION

[62] Division of application No. 29/095,702, Oct. 28, 1998.  
[51] **LOC (7) Cl. .... 24-02**  
[52] **U.S. Cl. .... D24/135; D24/189**  
[58] **Field of Search .... D24/135, 189; 128/200.24, 207.18; 606/149, 204.45; 604/180, 307, 308; 602/58, 56, 55, 54**

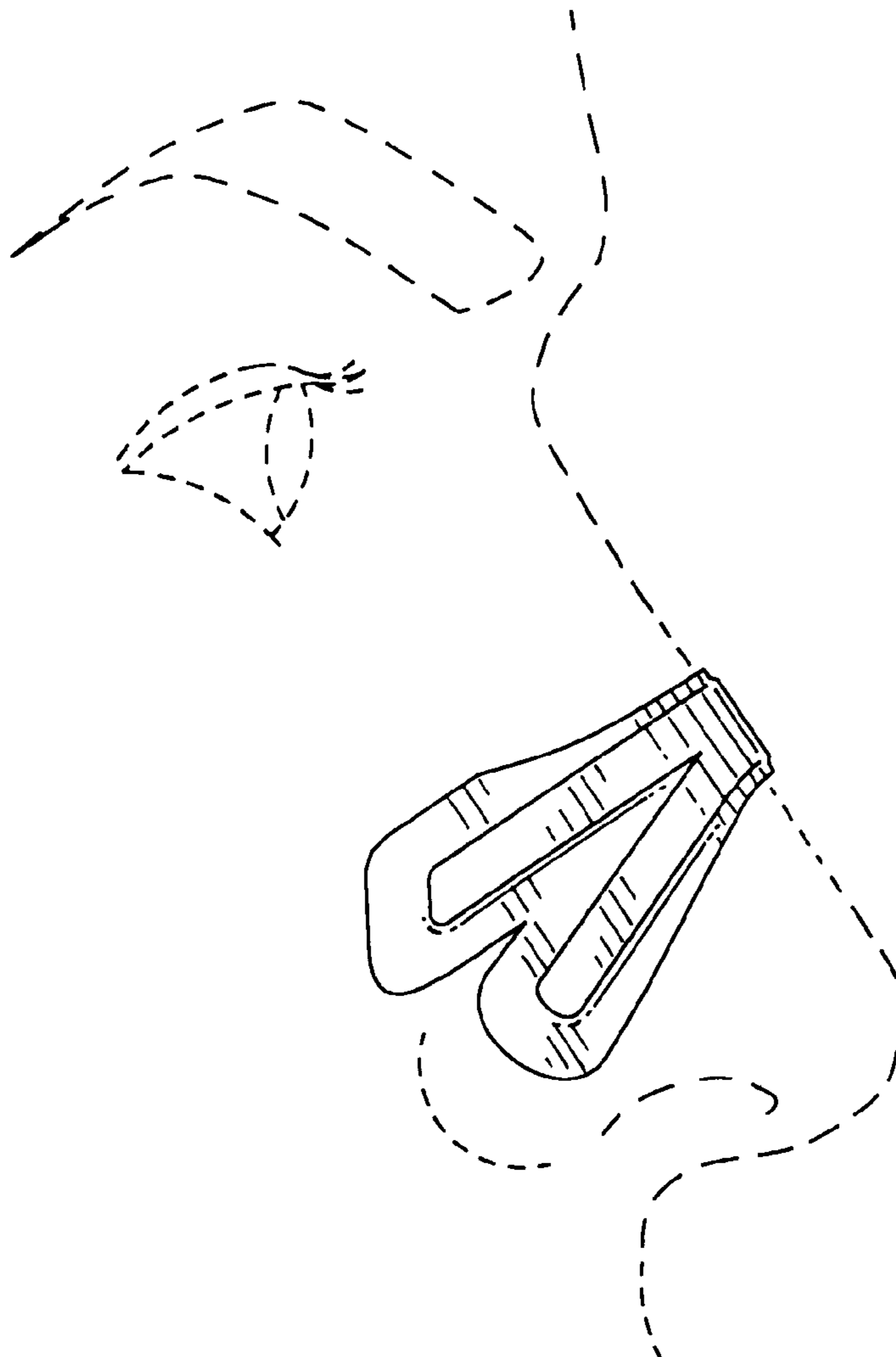
FIG. 1 is a side elevational view shown in use of a nostril dilator showing my new design.  
FIG. 2 is a top plan view thereof;  
FIG. 3 is a front elevational view thereof;  
FIG. 4 is a rear elevational view thereof;  
FIG. 5 is a right side elevational view thereof, the left side elevational views being a mirror image thereto; and,  
FIG. 6 is a bottom plan view thereof.  
The broken line showing of a person is for illustrative purposes only and forms no part of the claimed design;

### [56] References Cited

#### U.S. PATENT DOCUMENTS

D. 379,513 5/1997 Ierulli ..... D24/135  
5,533,499 7/1996 Johnson ..... 128/200.24

**1 Claim, 1 Drawing Sheet**



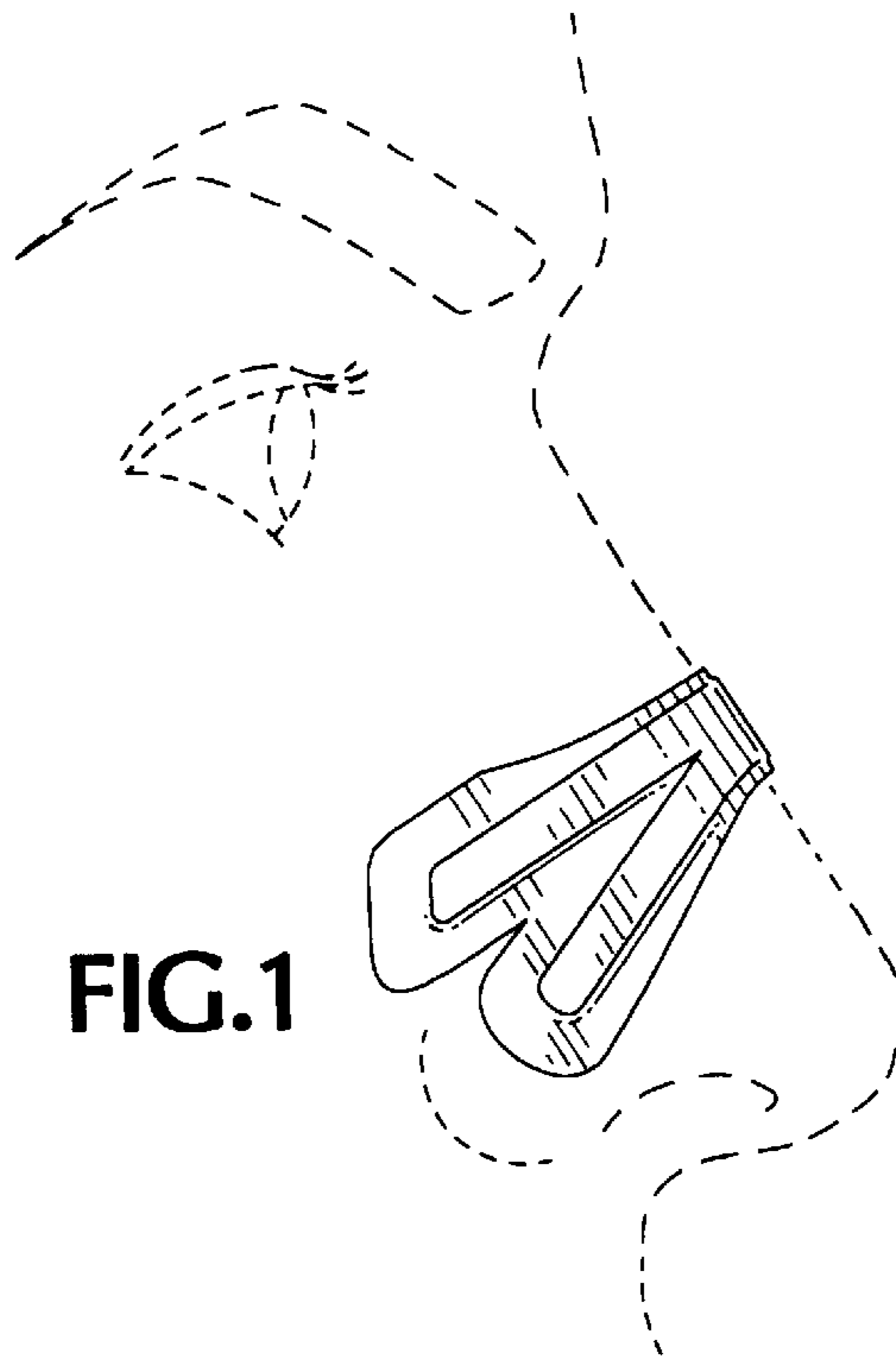


FIG. 1

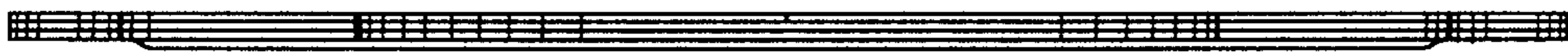


FIG. 3

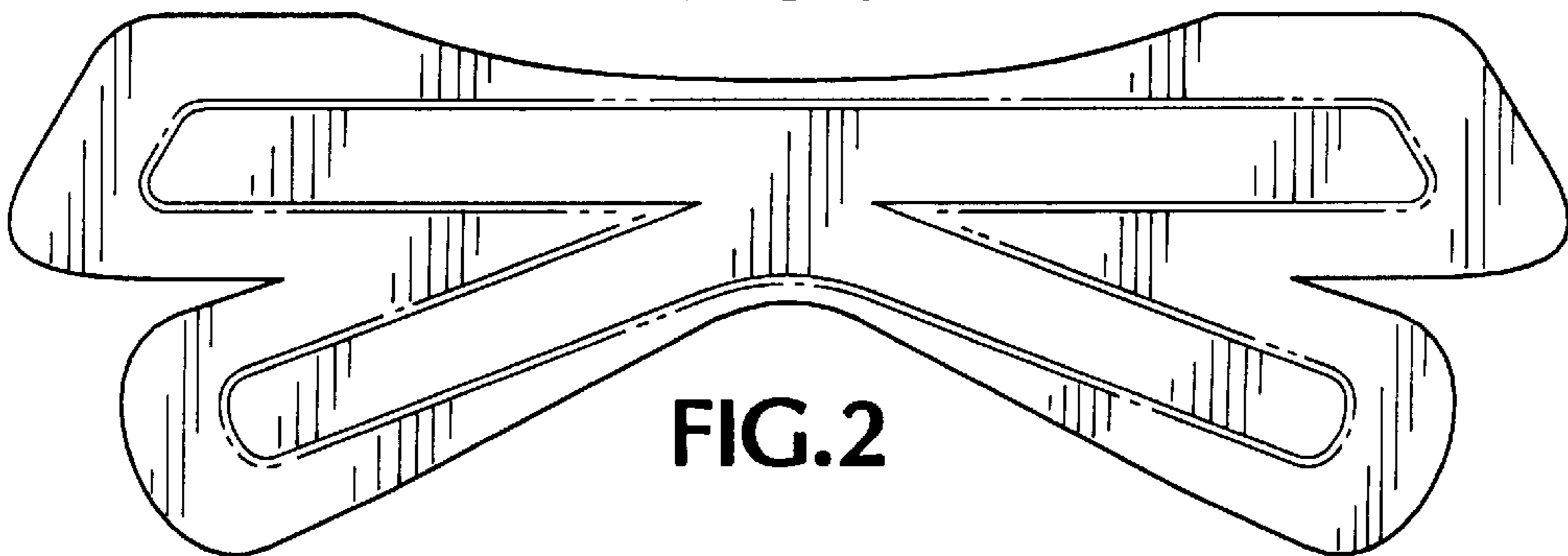


FIG. 2



FIG. 5



FIG. 4

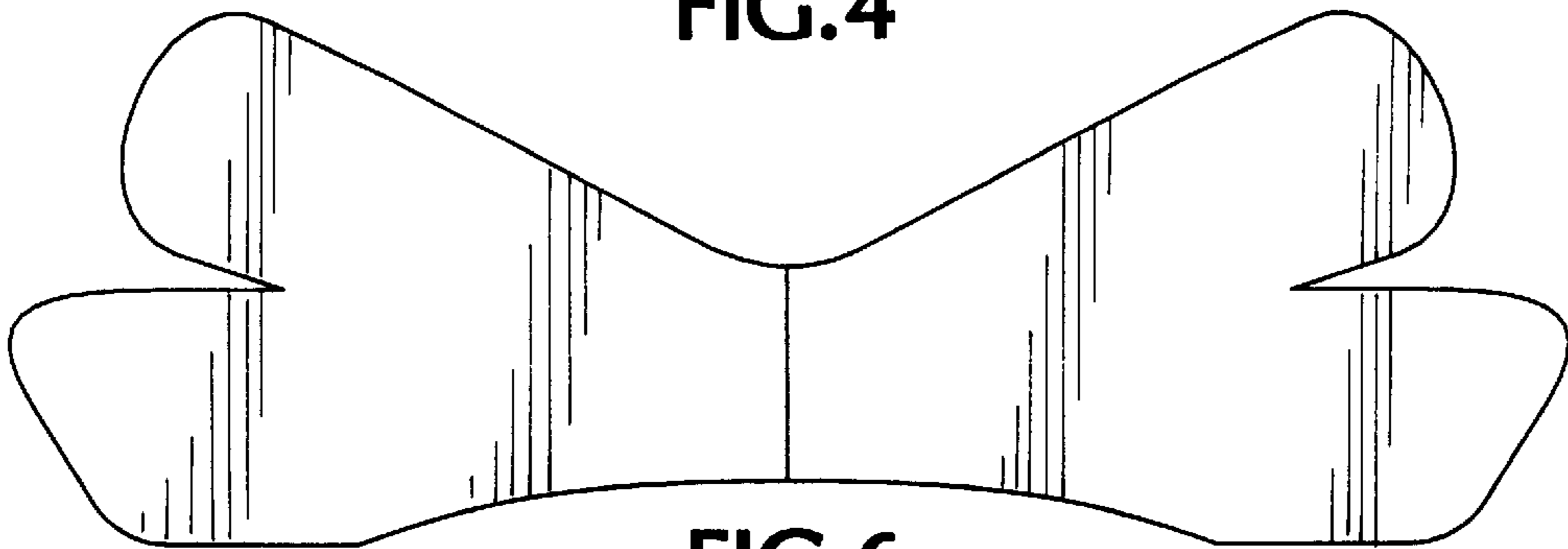


FIG. 6